

User Manual

matrix[®]
SEATING SERIES



Invacare[®] Matrix[®] MX2 Back

DEALER: This manual **MUST** be given to the user of the product.

USER: BEFORE using this product, read this manual and save for future reference.

EN	User Manual.....	2
FR	Manuel d'utilisation.....	33
DE	Gebrauchsanweisung	64
ES	Manual del usuario	95
PT	Manual de utilização	126
IT	Manuale d'uso	157
DA	Brugsanvisning	188
SV	Bruksanvisning	219
FI	Käyttöopas	250
NO	Bruksanvisningen	281
NL	Gebruikershandleiding	312
EE	Kasutusjuhend	343
LT	Naudotojo vadovas	374
PL	Instrukcję Obsługi	405
CZ	Návod k použití	436



Matrix MX2 Back

for **FIXED MOUNT** Hardware and
REMOVABLE MOUNT Hardware

INSTALLATION/SET-UP

i IMPORTANT! The installation instructions contained in this manual should only be carried out by a qualified technician.

DEALER: This manual **MUST** be given to the user of the product.

USER: Before using this product, read this manual and save for future reference.



WARRANTY

PLEASE NOTE: THE WARRANTY BELOW HAS BEEN DRAFTED TO COMPLY WITH FEDERAL LAW APPLICABLE TO PRODUCTS MANUFACTURED AFTER JULY 4, 1975.

This warranty is extended only to the original purchaser/user of our products. This warranty gives you specific legal rights and you may also have other legal rights which vary from state to state.

Invacare/Motion Concepts warrants this product to be free from defects in materials and workmanship for two years of use by original purchaser. This warranty does not apply to punctures, tears or burns, nor to the removable cushion cover. If within such warranty period any such product shall be proven to be defective, such product shall be repaired or replaced, at Invacare's/Motion Concepts' option, with refurbished or new parts. This warranty does not include any labor or shipping charges incurred in replacement part installation or repair of any such product. Product repairs shall not extend this warranty - coverage for repaired product shall end when this limited warranty terminates. Invacare's/Motion Concepts' sole obligation and your exclusive remedy under this warranty shall be limited to such repair and/or replacement. For warranty service, please contact the dealer from whom you purchased your Invacare/Motion Concepts product. In the event you do not receive satisfactory warranty service, please write directly to Invacare/Motion Concepts at the address on the back cover. Provide dealer's name, address, model number, the date of purchase, indicate nature of the defect and, if the product is serialized, indicate the serial number.

Invacare Corporation/Motion Concepts will issue a return authorization. The defective unit or parts must be returned for warranty inspection using the serial number, when applicable, as identification within thirty (30) days of return authorization date.

DO NOT return products to our factory without our prior consent. C.O.D. shipments will be refused; please prepay shipping charges.

LIMITATIONS AND EXCLUSIONS: THE WARRANTY SHALL NOT APPLY TO PROBLEMS ARISING FROM NORMAL WEAR OR FAILURE TO ADHERE TO THE ENCLOSED INSTRUCTIONS. IN ADDITION, THE FOREGOING WARRANTY SHALL NOT APPLY TO SERIAL NUMBERED PRODUCTS IF THE SERIAL NUMBER HAS BEEN REMOVED OR DEFACED; PRODUCTS SUBJECTED TO NEGLIGENCE, ACCIDENT, IMPROPER OPERATION, MAINTENANCE OR STORAGE; OR PRODUCTS MODIFIED WITHOUT INVACARE'S/MOTION CONCEPTS' EXPRESS WRITTEN CONSENT INCLUDING, BUT NOT LIMITED TO: MODIFICATION THROUGH THE USE OF UNAUTHORIZED PARTS OR ATTACHMENTS: PRODUCTS DAMAGED BY REASON OF REPAIRS MADE TO ANY COMPONENT WITHOUT THE SPECIFIC CONSENT OF INVACARE/MOTION CONCEPTS; PRODUCTS DAMAGED BY CIRCUMSTANCES BEYOND INVACARE'S/MOTION CONCEPTS' CONTROL; PRODUCTS REPAIRED BY ANYONE OTHER THAN AN INVACARE/MOTION CONCEPTS DEALER, SUCH EVALUATION SHALL BE SOLELY DETERMINED BY INVACARE/ MOTION CONCEPTS.

THE FOREGOING WARRANTY IS EXCLUSIVE AND IN LIEU OF ALL OTHER EXPRESS WARRANTIES, IF ANY, INCLUDING THE IMPLIED WARRANTIES OF MERCHANTABILITY AND FITNESS FOR A PARTICULAR PURPOSE. IT SHALL NOT EXTEND BEYOND THE DURATION OF THE EXPRESSED WARRANTY PROVIDED HEREIN AND THE REMEDY FOR VIOLATIONS OF ANY IMPLIED WARRANTY SHALL BE LIMITED TO REPAIR OR REPLACEMENT OF THE DEFECTIVE PRODUCT PURSUANT TO THE TERMS CONTAINED HEREIN. INVACARE/MOTION CONCEPTS SHALL NOT BE LIABLE FOR ANY CONSEQUENTIAL OR INCIDENTAL DAMAGES WHATSOEVER. THIS WARRANTY SHALL BE EXTENDED TO COMPLY WITH STATE/PROVINCIAL LAWS AND REQUIREMENTS.

This manual may not be reproduced or reprinted either partly or completely without previous written consent from Motion Concepts or its statutory representatives.

This user manual is compiled from the latest specifications and product information available at the time of publication. We reserve the right to make any necessary as they become necessary. Any changes made to our products may cause slight variations between the illustrations and explanations in this manual and the product you have purchased. If you have any questions or concerns regarding the information provided in this manual, please contact our Customer Service Department for assistance.


Motion Concepts LP Copyright © 2017


Table of Contents


- 1.0 General Warnings
- 2.0 Safety Information
- 3.0 MX2 Installation/Adjustment- **Fixed Mount**
- 4.0 MX2 Installation/Adjustment- **Removable Mount**
- 5.0 Care and Maintenance Instructions
- 6.0 MX2 Options


SAFETY SYMBOLS:

Proper set-up and safe use of your Invacare Matrix MX2 Back depends on your own good judgement and common sense, as well as that of your provider, caregiver and/or health professional. The following symbols are used throughout this user manual to identify warnings, cautions and important notes. It is very important that you read and understand them completely.

 **CAUTION!** Failure to heed the cautions in this manual may result in damage to your Matrix Seating product.

 **WARNING!** Failure to heed the warnings in this manual may result in personal injury.

 **IMPORTANT!** Important information to remember during installation and set-up of you Matrix Seating product.

 **IMPORTANT!** Please refer to the Wheelchair Owners/Operators Manual for additional safety information, warnings and cautions related to the operation of your wheelchair.

1.0 GENERAL WARNINGS/INFO

1.1 Overview

⚠ USER WARNING!

DO NOT USE THIS PRODUCT OR ANY AVAILABLE OPTIONAL EQUIPMENT WITHOUT FIRST COMPLETELY READING AND UNDERSTANDING THESE INSTRUCTIONS AND ANY ADDITIONAL INSTRUCTIONAL MATERIAL SUCH AS OWNER'S MANUALS, SERVICE MANUALS OR INSTRUCTION SHEETS SUPPLIED WITH THIS PRODUCT OR OPTIONAL EQUIPMENT. IF YOU ARE UNABLE TO UNDERSTAND THE WARNINGS, CAUTIONS OR INSTRUCTIONS, CONTACT A HEALTHCARE PROFESSIONAL, DEALER OR TECHNICAL PERSONNEL BEFORE ATTEMPTING TO USE THIS EQUIPMENT - OTHERWISE, INJURY OR DAMAGE MAY OCCUR.

📌 IMPORTANT INFORMATION

The best way to avoid problems related to pressure sores is to understand their causes and your role in a skin management program. Your therapist and physician should be consulted if you have questions regarding individual limitations and needs.

All back cushions should be selected carefully. Working with your therapist and physician is the best way to assure that a cushion choice matches your individual needs. As the needs of the individual become more complex, the evaluation becomes more important.

Invacare® Matrx® MX2 Backs

The Invacare® Matrx® MX2 back is contoured to provide precise orientation within the wheelchair for optimal postural support. The foam is oversized to provide extra comfort and protection.

The Invacare® Matrx® MX2 back includes a movable foam lumbar pad that can be installed/inserted behind the existing foam cushion to provide additional positioning capability. Refer to **Section 6.0 - Lumbar Support**.

The outer cover is made of a breathable spacer mesh, combined with a leatherette material for added durability. Regular cleaning and inspection of the outer cover is recommended. Refer to **Section 5.0 -Care and Maintenance**.

1.2 Wear and Tear Items

📌 IMPORTANT! Normal wear and tear items and components include but are not limited to: all upholstery items including back upholstery and cushions. Invacare reserves the right to ask for any item back that has an alleged defect in workmanship. See **Warranty Policy** (back page) for specific warranty information. Refer to this User Manual for preventative maintenance schedule and proper use of the product. This is just a general guideline and does not include items damaged due to abuse and misuse. Useful life is dependant upon many factors.

1.3 Intended Use

Our Invacare® Matrx® MX2 backs are designed to provide precise orientation within the wheelchair for optimal postural support.

2.0 SAFETY INFORMATION

2.1 Transportation Warnings!

▲ WARNING!

Risk of severe injury when transporting the client within a wheelchair fitted with an Invacare® Matrix® MX2 back in a motor vehicle.

- Wherever practicable Invacare recommends that the client is transferred out of the wheelchair into a vehicle seat using a lap and diagonal seat belt.
- Invacare® Matrix® MX2 backs may only be used in conjunction with wheelchairs that comply with the performance requirements of RESNA WC19 or ISO 7176-19.
- For safe transportation of a client within a wheelchair in a motorvehicle, refer to the user manuals of the wheelchair and tie-down and occupant restraint system (WTORS).

2.2 General Safety

▲ WARNING! Risk of Death, Serious Injury or Damage

Improper use of this product may cause injury or damage. If you are unable to understand the warnings, cautions or instructions, contact a health care professional or dealer before attempting to use this equipment. **DO NOT** use this product or any available optional equipment without first completely reading and understanding these instructions and any additional instructional material such as user manual, service manuals or instruction sheets supplied with this product or optional equipment.

▲ WARNING! Risk of Death, Serious Injury, or Damage

Lighted cigarettes dropped onto an upholstered seating system can cause a fire resulting in death, serious injury or damage. Wheelchair occupants are at particular risk of death or serious injury from these fires and resulting fumes because they may not have the ability to move away from the wheelchair.

- **DO NOT** smoke while using this wheelchair

▲ WARNING! Risk of Injury

Invacare® Matrix® products are specifically designed and manufactured for use in conjunction with Invacare® Matrix® accessories. Accessories designed by other manufacturers have not been tested by Invacare and are not recommended for use with Invacare® Matrix® products

▲ WARNING Risk of Injury

Skin condition should be checked frequently after the installation of any new seating system. Your therapist and physician should be consulted if you have questions regarding individual limitations and needs. As the needs of the individual become more complex, the evaluation becomes more important.

2.0 SAFETY INFORMATION

2.3 Installation Warnings

⚠ WARNING! Risk of Serious Injury

When establishing the mounting position for the Invacare® Matrx® MX2 back, ensure the stability of the wheelchair is not compromised. Adjusting the forward and aft position of the backrest will alter the user's center of gravity within the wheelchair. A recessed back position can significantly reduce the rearward stability of the wheelchair. Similarly, a more forward back position will reduce the wheelchair's forward stability.

⚠ WARNING! Risk of Serious Injury or Damage

- The procedures in this manual should be performed by a qualified technician
- Attaching hardware that is loosely secured could cause loss of stability resulting in serious injury or damage.
- After ANY adjustments, repair or service and before use, make sure that all attaching hardware is tightened securely.
- DO NOT install the Invacare® Matrx® MX2 back assembly onto back canes with an outside diameter greater than 1" (25mm) or less than 3/4" (19mm). Otherwise, injury or damage may occur.
- The Invacare® Matrx® MX2 back is not intended for power seating applications.
- The mounting position of the Invacare® Matrx® MX2 back is directly related to the wheelchair's stability. It may be necessary to reposition the front casters, rear wheels, back angle, tilt-in-space, recline position and/or seat depth before use.
- Ensure the Invacare® Matrx® MX2 back is properly secured to the wheelchair before using. Otherwise injury or damage may occur.

⚠ WARNING! Risk of Serious Injury, or Damage

The installation hardware provided is high strength and tested for durability. **DO NOT substitute hardware.** Use only the original Matrx MX2 hardware supplied.

2.4 Back Sizes/ Weight Capacity:

CONFIGURED MODEL	DESCRIPTION	CONTOUR DEPTH	WEIGHT CAPACITY
IMX2wwhh	Matrx MX2 Back	3 in. (76mm)	250 lbs/ (113 kg)

* ww hh = width/height

Available Sizes: Width: 14" - 18" (355mm - 460mm) ;
Height: 6" (150mm), 9" (230mm), 12" (310mm), 16" (410mm)

Please contact your Dealer or Therapist to determine the appropriate back model/size for your individual needs. For further information on any of our Matrx backs, including all available models/sizes, please visit www.motionconcepts.com or www.invacare.com.

3.0 MX2 BACK - FIXED MOUNT INSTALLATION

3.1 Fixed Mounting Hardware Kit

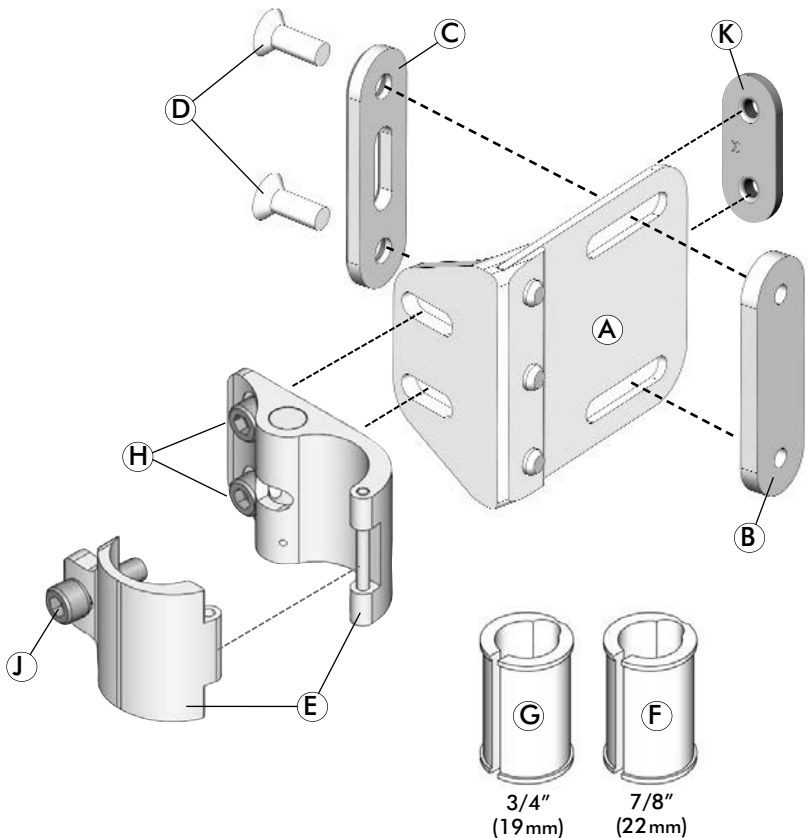
i) Mounting Bracket Assembly (installs onto Mx2 Back Shell):

- | | |
|----------------------------------|-------------------------------------|
| 2 - Fixed Mounting Brackets (A) | 2 - Fixed Bracket Washer Plates (C) |
| 2 - Fixed Bracket Nut Plates (B) | 4 - Fixed Bracket Screws (D) |

ii) Cane Clamp Assembly (installs onto Wheelchair Back Canes):

- | | |
|----------------------------------|---|
| 2 - Cane Clamp (E) | 4 - Depth/Recline Adjustment Screws (H) |
| 2 - Cane Inserts 7/8" (22mm) (F) | 2 - Cane Clamp Screws (J) |
| 2 - Cane Inserts 3/4" (19mm) (G) | 2 - Cane Clamp Nut Plates (K) |

(Right Hardware Assembly Shown)



3.0 MX2 BACK - FIXED MOUNT INSTALLATION

3.2 Tools Required

Hex Key Tool (4mm/5mm) (provided)

Tape Measure/Ruler

! PLEASE NOTE

If any of the supplied mounting hardware is missing or misplaced, please contact your local Invacare/Motion Concepts Representative to obtain the necessary replacements parts.

3.3 MX2 Fixed Mounting Bracket Installation:

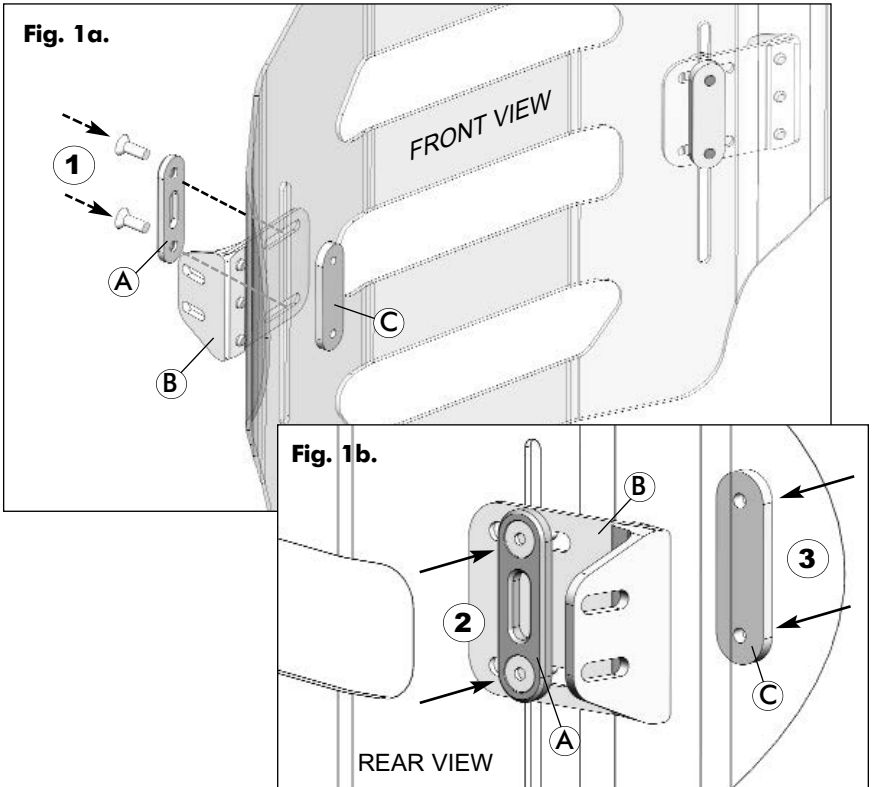
i NOTE: Prior to installing the Fixed Mounting Brackets

Carefully remove or loosen the MX2 cover by releasing the velcro hook and loop fasteners along the bottom edge and inside of the back shell.

- 1 Working on one side of the back shell, install the fixed mounting bracket onto the Invacare[®] Matrix[®] MX2 back shell as follows:
 - Align the washer plate (A) with the slots in the fixed mounting bracket (B) and insert screws through both components (1); (Refer to Fig. 1a)
 - From the rear of the back shell, install the 2 protruding screws from the mounting bracket through the vertical slot in the MX2 back shell (2); (Refer to Fig. 1b)
 - To secure the mounting bracket to the Mx2 back shell, thread the screws into the nut plate (C) on the front (inside) of the back shell (3); (Refer to Fig.1b)
- 2 Install the remaining fixed mounting bracket onto the opposite side of the back shell (as per Step 1 above).

3.0 MX2 BACK - FIXED MOUNT INSTALLATION

Fixed Mounting Bracket Installation



3.4 Pre-Installation: MX2 Cane Clamp Orientation:

ⓘ IMPORTANT! Prior to Installing the MX2 Cane Clamps the orientation of the clamps must first be determined.

For a **standard configuration**, the Cane Clamps (A) are assembled and mounted to the back canes in the *rearmost* orientation. This configuration maximizes the available seat depth on the wheelchair- refer to **Fig. 2a**.

For an **inverted configuration***, the Cane Clamps (A) are rotated 180° on the back canes. This configuration minimizes the available seat depth, and places the MX2 back in a more *forward* position if needed- refer to **Fig. 2a**.

The cane clamps (A) provide 1.5" (38mm) of fore or aft adjustment (relative to the back cane) depending on the chosen mounting configuration

3.0 MX2 BACK - FIXED MOUNT INSTALLATION

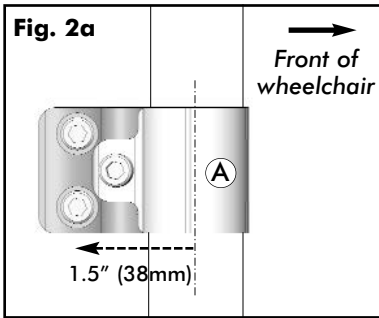
3.4 Pre-Installation: MX2 Cane Clamp Orientation: ...cont'd

⚠ WARNING! Risk of Serious Injury

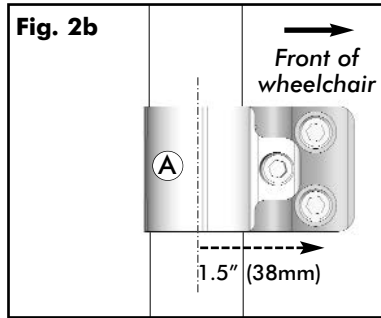
When determining the final mounting position for the Invacare[®] Matr[®] MX2 back, ensure the stability of the wheelchair is not compromised.

Adjusting the fore and aft position of the backrest will alter the user's center of gravity within the wheelchair. A recessed back position can significantly reduce the rearward stability of the wheelchair. Similarly, a more forward back position will reduce the wheelchair's forward stability.

MX2 Cane Clamp Orientation



**Standard Cane
Clamp Configuration**
(maximum seat depth)



**Inverted Cane
Clamp Configuration**
(minimum seat depth)

3.5 MX2 Cane Clamp Installation:

The MX2 cane clamps are designed to allow installation onto 1" (25mm), 7/8" (22mm) and 3/4" (19mm) back cane diameters. (Plastic Inserts (A) are provided to accommodate smaller diameter back canes*).

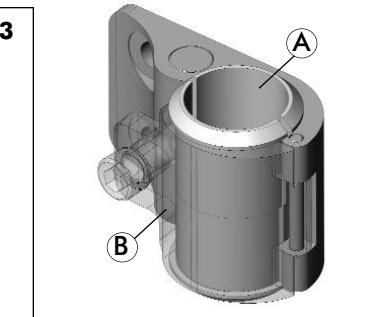
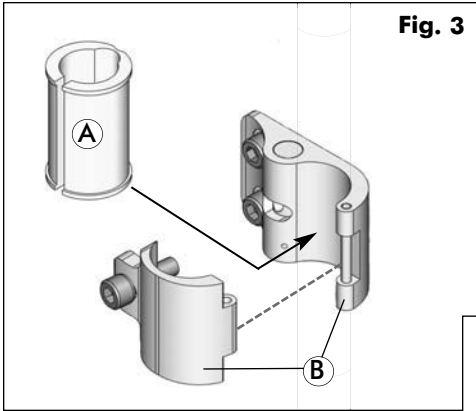
- 1 Remove existing wheelchair back (if applicable).
- 2 Loosely install the Cane Clamp Assembly (B) onto each back cane in the desired orientation- refer to **Fig. 3** and **Fig. 4** for an installation overview.

***Accommodating Different Sized Back Canes:**

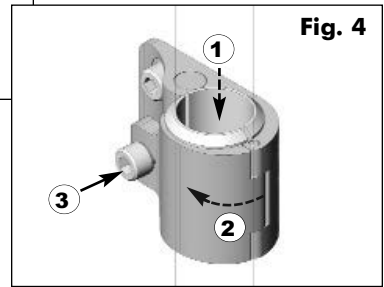
- 1" (25mm) canes - No plastic inserts required
- 7/8" (22mm) canes - Install 7/8" (22mm) plastic inserts (x2)
- 3/4" (19mm) canes - Install 3/4" (19mm) plastic inserts (x2)

3.0 MX2 BACK - FIXED MOUNT INSTALLATION

MX2 Cane Clamp Installation

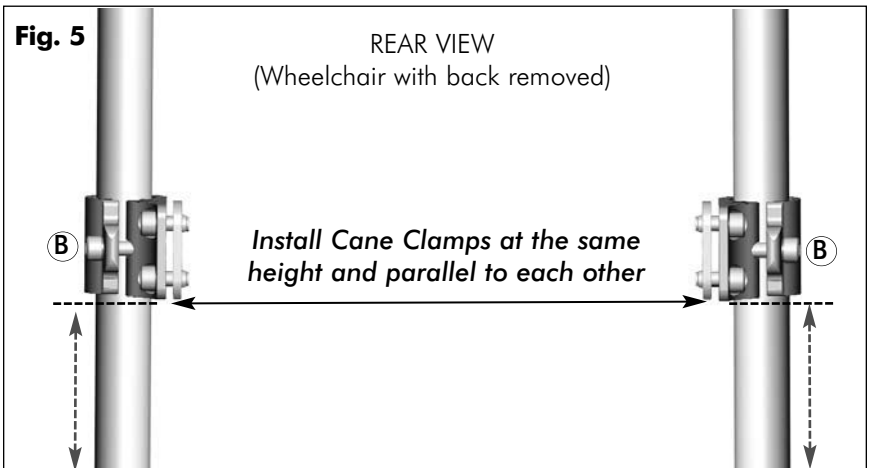


HELPFUL HINT
Spray a small amount of hairspray on the back canes and on the inside of the plastic inserts to create a secure 'no-slip' bond.



- Starting on one side, slide/adjust the Cane Clamp assembly (B) to the desired height/position along the back cane and tighten secure it in place.
Note: The final back height may be further adjusted/fine tuned following installation of the MX2 back shell onto the cane clamps (see Fig. 5)

MX2 Cane Clamp Height Adjustment



3.0 MX2 BACK - FIXED MOUNT INSTALLATION

3.5 MX2 Cane Clamp Installation: (... cont'd)

- From a fixed point on the wheelchair (e.g. seat frame/rigidizer bar) measure the height of the first cane clamp (B), and secure the second cane clamp (B) at the same height on the opposite back cane (refer to Fig. 5)

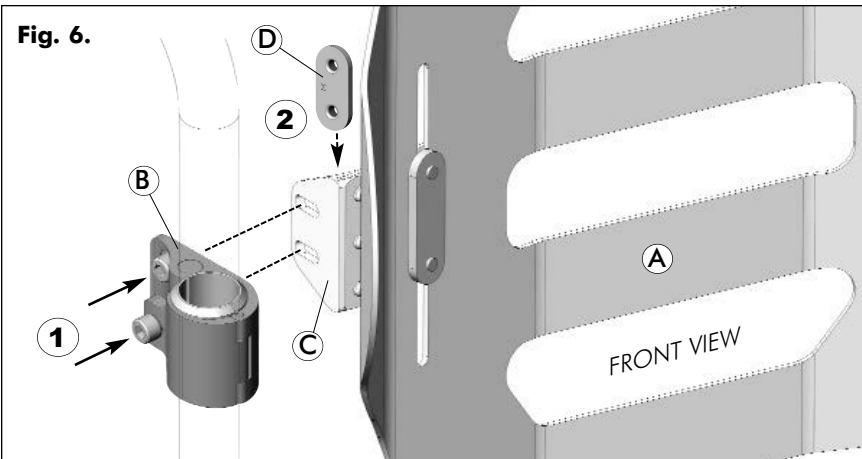
Note: Ensure installed Cane Clamps are aligned parallel with each other.

3.6 Installing the MX2 Back onto Fixed Cane Clamps:

- Working on one side of the back shell, install the Matrix MX2 back (A) onto the cane clamps* (refer to Fig. 6):
 - Align the 2 mounting screws in the Cane Clamp Assembly (B) with the corresponding slots in the MX2 fixed mounting bracket (C) (1).
 - Secure the cane clamp assembly to the MX2 mounting bracket using the threaded nut plate (D) provided (2).
 - Repeat steps (1) and (2) to secure the MX2 Back Shell onto the opposite back cane.

***NOTE:** Prior to installing the Matrix MX2 back onto the cane clamps, the fixed mounting brackets should be loosened slightly to help align and install the back shell. Refer to Section 3.7 (Fig. 8) for more detailed Width/Height Adjustment instructions

MX2 Back Installation: FIXED Mounting Hardware



3.0 MX2 BACK - FIXED MOUNT INSTALLATION

3.7 MX2 Fixed Mount Back Adjustments:

i IMPORTANT! The MX2 Fixed Mounting brackets are designed to install onto back canes that are up to **1" (25mm) wider or 1" (25mm) narrower** than than the nominal back width. For a standard set-up, the MX2 back should be installed symmetrically (centered) between the back canes.

i IMPORTANT! To best determine the optimal back depth/height/angle configurations, the user should be seated in the wheelchair during set-up.

- 1 With the MX2 back shell installed onto the wheelchair (cane clamps), the final depth, height/width and back angle of the MX2 Back can be further adjusted to fit the end user:
 - i. **Depth Adjustment:** The depth of the MX2 Back (relative to back canes) is controlled via two separate adjustments:

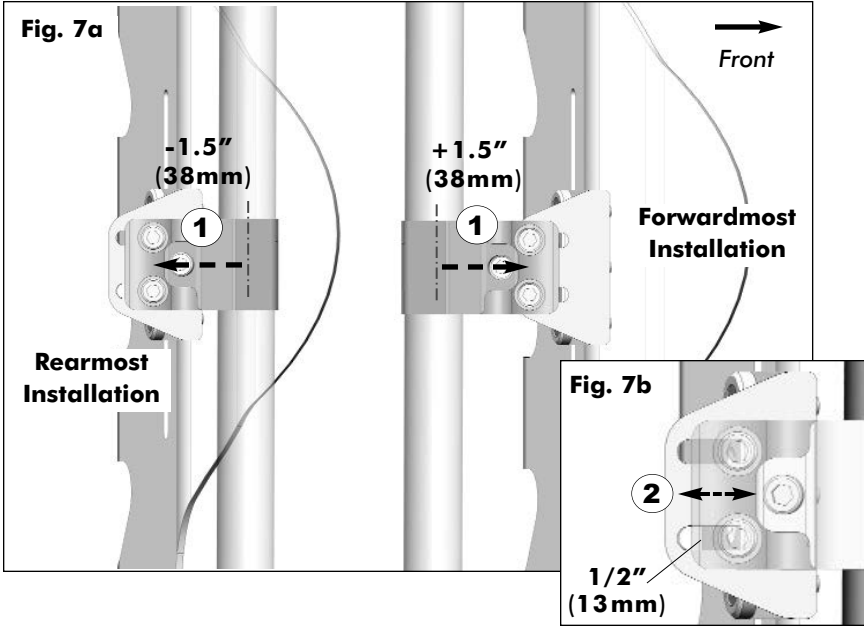
MX2 Cane Clamp Orientation: (see also **Section 3.4**)
The orientation of the MX2 cane clamps (forwardmost installation or rearmost installation) will position the back shell (+/- 1.5" (38mm)) relative to the back canes (1). Refer to **Fig. 7a**.
The maximum range of fore and aft depth adjustment for the MX2 Fixed Mounting Hardware = 3" (76mm) (+/- 1.5" (38mm)).

MX2 Mounting Plates:
The slotted channels in the MX2 mounting plates allow for up to 1/2" (13mm) of depth adjustment (2) within the maximum adjustment range. Refer to **Fig. 7b**.
 - ii. **Width/Height Adjustment:** To accommodate variances in back cane widths, fine-tune width adjustments are available via the horizontal slots in the MX2 mounting brackets (1). The height of the MX2 back (relative to the cane clamps) is adjustable using the vertical slots in the MX2 back shell (2). The slot length (height adjustment) will vary depending on the size (height) of the back shell. Refer to **Fig. 8a** and **8b**.
 - iii. **Angle Adjustment:** Back angle adjustments of $\pm 15^\circ$ are achieved by rotating the back shell forward (1) or rearward (2) within the slotted channels of the MX2 mounting brackets. Refer to **Fig. 9**.
- 2 Verify that the overall comfort, fit and alignment of the back on the wheelchair is correct for the client. Make further adjustments as needed.
- 3 Fully secure/tighten all installation/mounting hardware, and ensure the MX2 mounting brackets/cane clamps do not slip or rotate out of position.

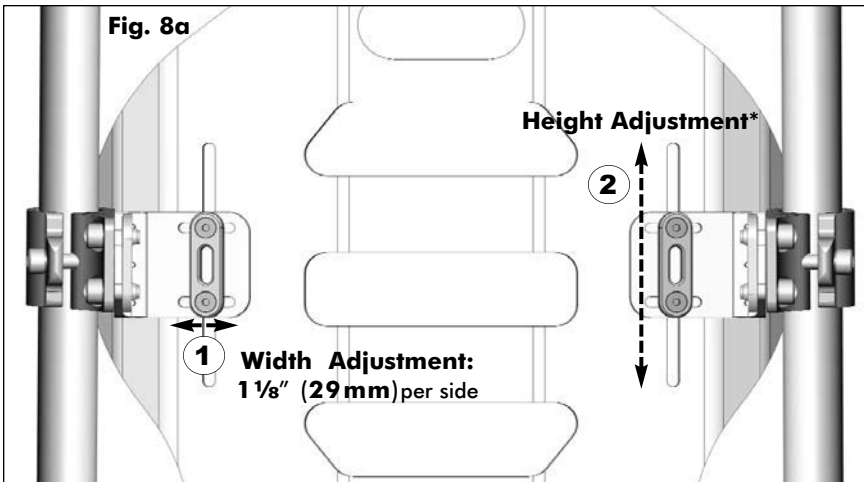
3.0 MX2 BACK - FIXED MOUNT INSTALLATION

i IMPORTANT! Unless otherwise required, all depth, height and angle adjustments are to be made symmetrically on the left & right mounting plates.

MX2 Fixed Mount: DEPTH Adjustment



MX2 Fixed Mount: WIDTH/HEIGHT Adjustment (relative to Cane Clamp)



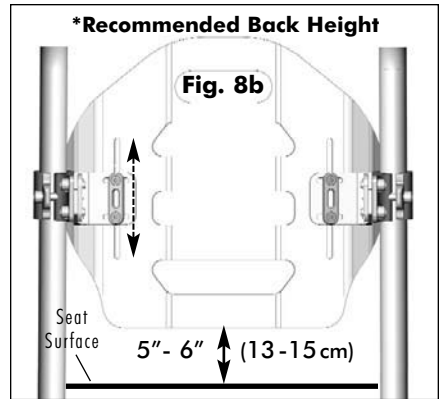
3.0 MX2 BACK - FIXED MOUNT INSTALLATION

***NOTE:** The range of MX2 **Back Height Adjustment** varies depending on the height (slot length) on the MX2 Back Shell- see **Table 1.0**:

Table 1.0:
MX2 Height (Slot) Adjustment

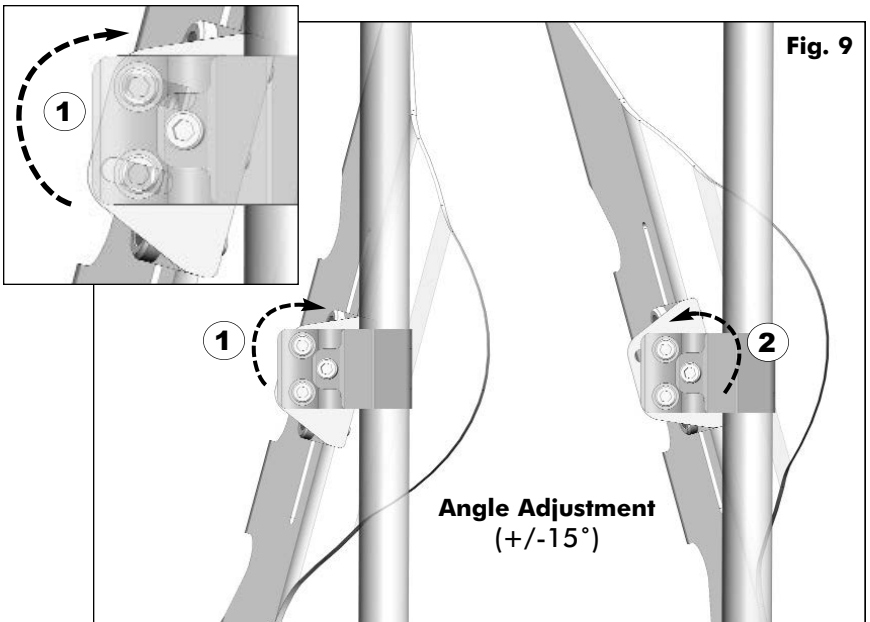
Back Shell Height	Range of Adjustment
6" (150mm)	1/2" (13mm)
9" (230mm)	2" (51mm)
12" (310mm)	2" (51mm)
16" (410mm)	3.5" (89mm)

***Note:** The recommended MX2 back height is provided as a guideline only. Slight variances may be necessary- see **Important!** note below.



ⓘ IMPORTANT! Always ensure that the bottom of the back is positioned anatomically below the Posterior Superior Iliac Spine (PSIS). If you have any questions or concerns regarding proper back height, please contact your provider and/or health professional for proper counseling.

MX2 Fixed Mount: BACK ANGLE Adjustment

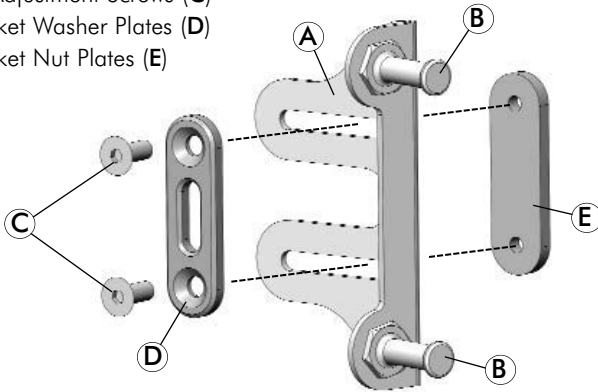


4.0 MX2 BACK- REMOVABLE MOUNT INSTALLATION

4.1 Removable (Quick-Release) Mount Hardware Kit:

i) QR Mounting Bracket Assembly (installs onto MX2 Back Shell):

- 2 - MX2 QR Mounting Brackets (A)
- 4 - Quick Release Mounting Pins (B)
- 4 - Width/Height Adjustment Screws (C)
- 2 - Mounting Bracket Washer Plates (D)
- 2 - Mounting Bracket Nut Plates (E)

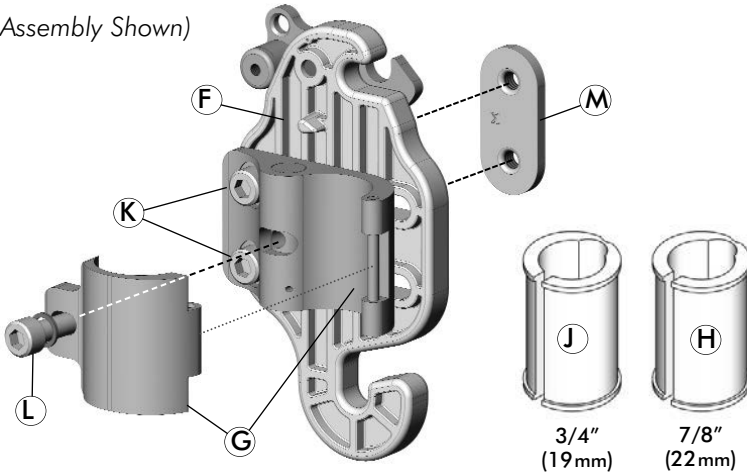


(Right Assembly Shown)

ii) Cane Clamp Assembly (installs onto Wheelchair Back Canes):

- 2 - Mini Mounting Plates (F)
- 2 - Cane Clamp (G)
- 2 - Cane Inserts 7/8" (22mm) (H)
- 2 - Cane Inserts 3/4" (19mm) (J)
- 4 - Depth/Angle Adjustment Screws (K)
- 2 - Cane Clamp Screws (L)
- 2 - Cane Clamp Nut Plates (M)

(Right Assembly Shown)



4.0 MX2 BACK- REMOVABLE MOUNT INSTALLATION

4.2 Tools Required

Hex Key Tool (4mm/5mm) (provided)

Tape Measure/Ruler

! PLEASE NOTE

If any of the supplied mounting hardware is missing or misplaced, please contact your local Invacare/Motion Concepts Representative to obtain the necessary replacements parts.

4.3 MX2 Quick-Release Mounting Bracket Installation:

i NOTE: Prior to installing the Quick Release (QR) Mounting Brackets Carefully remove the MX2 cover by releasing the velcro hook and loop fasteners along the top & bottom edge and inside of the back shell.

- 1 Working on one side of the back shell, install the quick-release mounting bracket (A) onto the Matrix MX2 back shell as follows:
 - Align the washer plate (B) with the slots in the mounting bracket (A) and insert screws through both components (1); (Refer to Fig. 1a (p.18))
 - From the rear of the back shell, install the 2 protruding screws from the mounting bracket through the vertical slot in the MX2 back shell (2); (Refer to Fig. 1b)
 - To secure the mounting bracket to the Mx2 back shell, thread the screws into the nut plate (D) on the front (inside) of the back shell (3); (Refer to Fig.1b)
- 2 Install the remaining quick-release mounting bracket (A) onto the opposite side of the back shell (as per Step 1 above).

4.0 MX2 BACK- REMOVABLE MOUNT INSTALLATION

Quick Release Mounting Bracket Installation

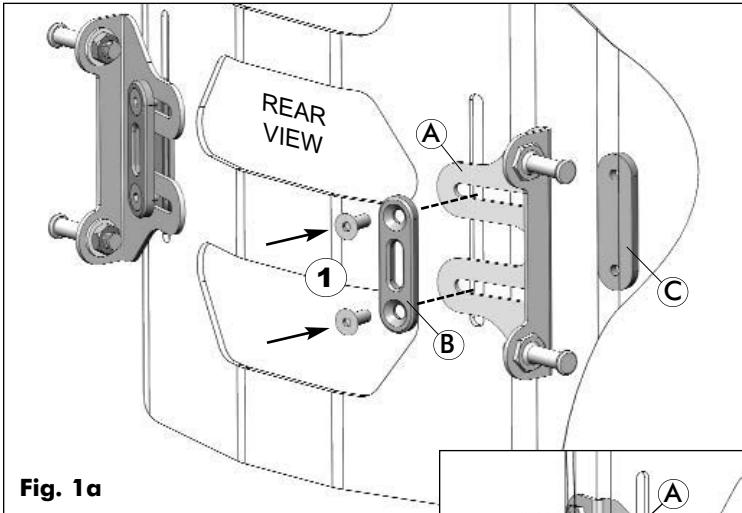


Fig. 1a

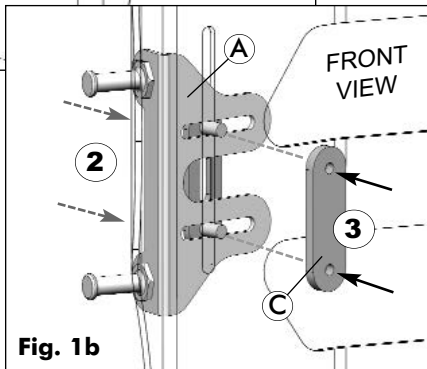


Fig. 1b

HELPFUL HINT

The quick-release mounting brackets/hardware can be loosely assembled onto the MX2 Back shell in order to assist with bracket alignment (width/height) during installation onto the MX2 mounting plates.

4.4 Pre-Installation: MX2 Cane Clamp Orientation

IMPORTANT! Prior to Installing the MX2 Cane Clamp Assemblies, the orientation of the clamps must first be determined.

WARNING! Risk of Serious Injury

When determining the final mounting position for the Invacare[®] Matrix[®] MX2 back, ensure the stability of the wheelchair is not compromised. Adjusting the fore and aft position of the backrest will alter the user's center of gravity within the wheelchair. A recessed back position can significantly reduce the rearward stability of the wheelchair. Similarly, a more forward back position will reduce the wheelchair's forward stability.

4.0 MX2 BACK- REMOVABLE MOUNT INSTALLATION

For a **standard configuration**, the MX2 Cane Clamps (A) and Mounting Plates (B) are assembled and mounted to the back canes in the *rearmost* orientation. This configuration maximizes the available seat depth on the wheelchair- see **Fig. 2**.

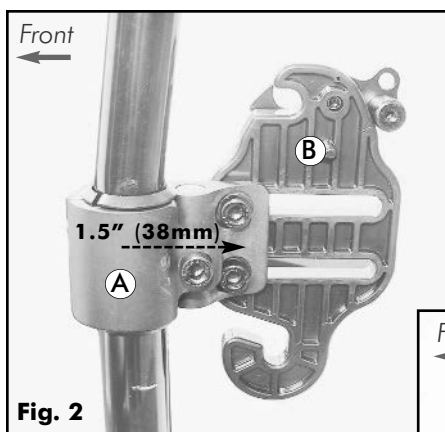
For an **inverted configuration***, the Cane Clamps (A) are rotated 180° on the back canes. This configuration minimizes the available seat depth, and places the MX2 back in a more *forward* position if needed- see **Fig. 3**.

The Cane Clamps (A) provide **1.5" (38mm)** of fore or aft adjustment (relative to the back cane) depending on the chosen mounting configuration.

Note: Please refer to **Section 4.8** for more detailed instructions on MX2 Removable Mount Depth Adjustments.

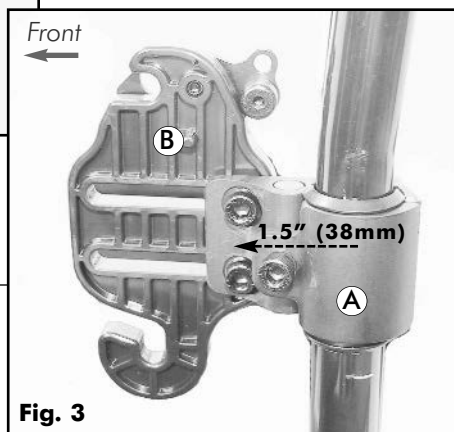
***To invert the mounting plate/cane clamp to the forwardmost orientation:**

- 1 Disassemble the Mounting Plate (B) from the Cane Clamp (A) (2 screws);
- 2 Rotate the Cane Clamp (A) 180°, then re-assemble the Mounting Plate (B) in the same orientation (as illustrated in **Fig. 3**)



Standard Cane Clamp Configuration
(maximum seat depth)

Inverted Cane Clamp Configuration
(minimum seat depth)



4.0 MX2 BACK- REMOVABLE MOUNT INSTALLATION

4.5 MX2 Cane Clamp/Mounting Plate Installation:

The MX2 Cane Clamps are designed to allow installation onto 1" (25mm), 7/8" (22mm) and 3/4" (19mm) back cane diameters. (Plastic Inserts (A) are provided to accommodate smaller diameter back canes*).

- 1 Remove existing wheelchair back (if applicable).
- 2 Loosely install the Cane Clamp Assembly (B) onto each back cane in the desired configuration- refer to **Fig. 4** and **Fig. 5** for an installation overview.

*Accommodating Different Sized Back Canes:

- 1" (25mm) canes - Plastic inserts not required
- 7/8" (22mm) canes - Install 7/8" (22mm) plastic inserts (x2)
- 3/4" (19mm) canes - Install 3/4" (19mm) plastic inserts (x2)

MX2 Cane Clamp Installation

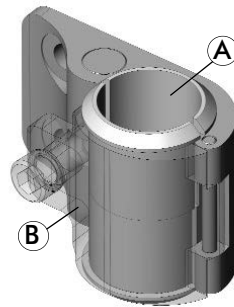
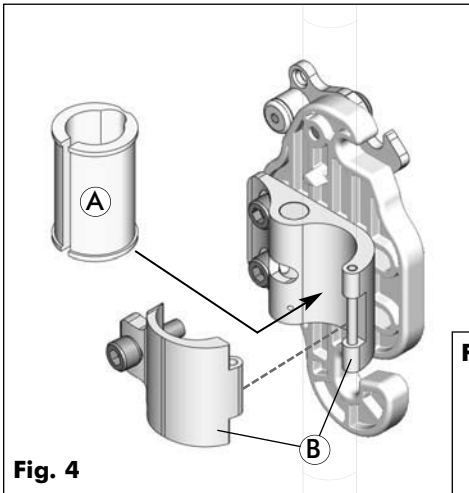
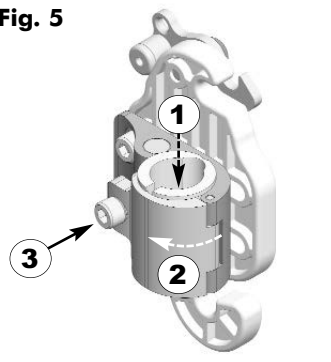


Fig. 5



HELPFUL HINT

Spray a small amount of hairspray on the back canes and on the inside of the plastic inserts to create a secure 'no-slip' bond.

4.0 MX2 BACK- REMOVABLE MOUNT INSTALLATION

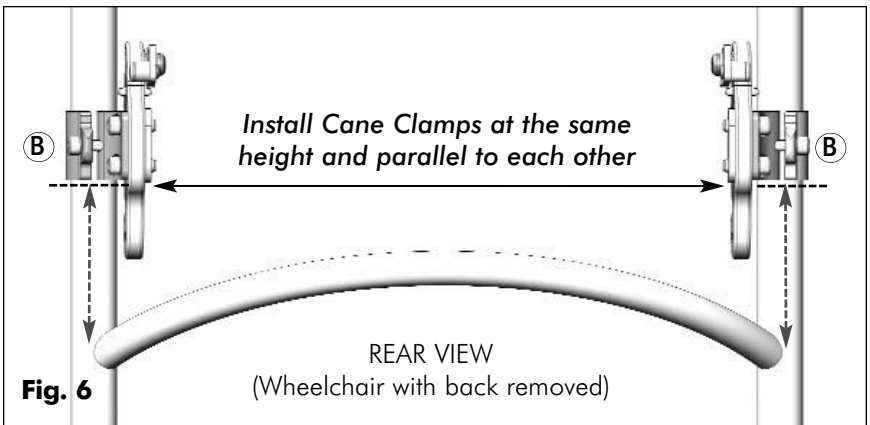
- 3 Starting on one side, slide/adjust the Cane Clamp (B) to the desired height/ position along the back cane and secure it in place.

Note: The final back height may be further adjusted/fine tuned following installation of the MX2 back shell onto the mounting plates

- 4 From a fixed point on the wheelchair (e.g. seat frame/rigidizer bar) measure the height of the first cane clamp assembly, and secure the second cane clamp at the same height on the opposite back cane- see Fig. 6 below.

Note: Ensure installed Cane Clamps/Mounting plates are aligned parallel with each other.

MX2 Cane Clamp/Mounting Plate Height Adjustment



4.6 Installing the MX2 Back onto Quick-Release Hardware

⚠ WARNING! Improper mounting pin set-up may cause damage to the back pan and/or the mounting plates. Ensure sufficient space is provided between the mounting plate and the head of the mounting pins (**a minimum gap of 1/8" (3mm) is recommended**).

⚠ WARNING! NEVER use loctite on mounting hardware; Non-metal components may degrade and become brittle (break) if contaminated.

ⓘ IMPORTANT! Unless otherwise necessary, **always** ensure that adjustments are made **symmetrically** on the left and right mounting brackets.

4.0 MX2 BACK- REMOVABLE MOUNT INSTALLATION

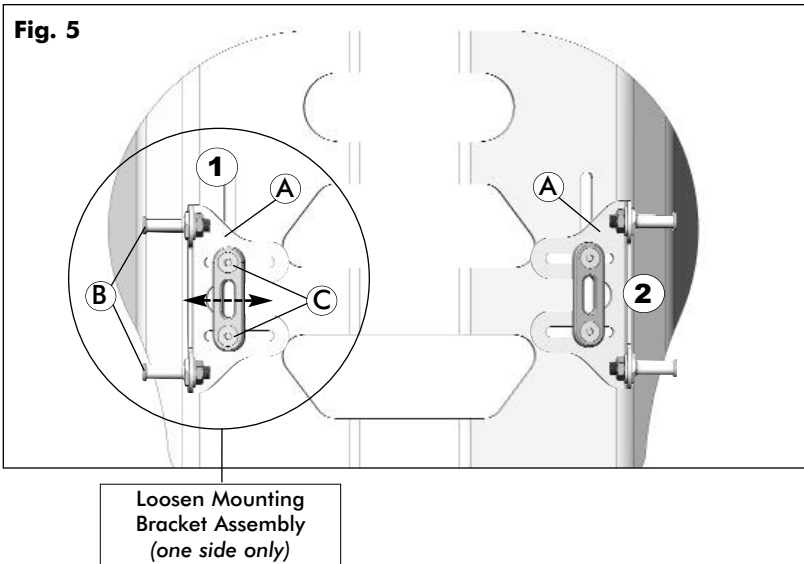
! IMPORTANT! Please note that loosening the QR Mounting Brackets (A) will simultaneously adjust the **Width and Height** of the MX2 back. Please read through **all instructions** prior to beginning the installation. During installation it is recommended to make adjustments to one mounting bracket at a time.

! PLEASE NOTE

Each Quick-Release Mounting Bracket (A) comes with the mounting pins (B) pre-installed, and is designed with width adjustable slots that allow the MX2 Back to be installed onto back canes that are up to 1" (25mm) wider or 1" (25mm) narrower than the nominal back width.

- 1 Before installing the Invacare[®] Matrx[®] MX2 back: (Refer to **Fig. 5**)
 - i. Working on one side only, slightly loosen the mounting bracket washer plate and hardware (C) so that the QR mounting bracket (A) and mounting pins (B) can be adjusted inward or outward (1) (as necessary) to align with the cane clamp mounting plates- see **Step 2. (Fig. 6a/6b)**
 - ii. Leave the remaining (opposite) QR Mounting Bracket Assembly secured to the MX2 back shell (2).

QR Mounting Pin/Bracket Alignment (Pre-Installation)

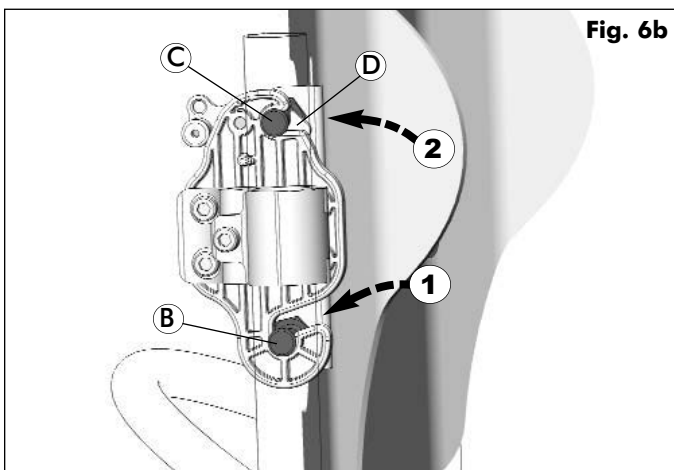
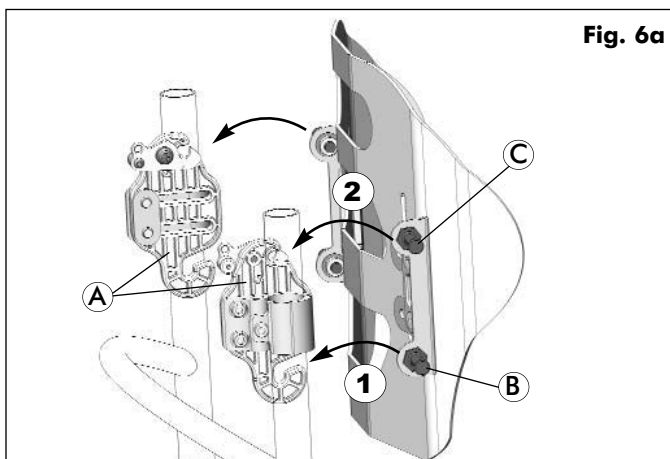


4.0 MX2 BACK- REMOVABLE MOUNT INSTALLATION

- 2 Install the MX2 back onto the mounting plates (A) as follows: (Refer to Fig. 6a and 6b)
 - i. Align and insert the lower mounting pins (B) into the hooked slots at the bottom of each mounting plate (1).
 - ii. With the lower pins in place, lock/snap the upper mounting pins (C) into the latch mechanism (D) at the top of each mounting plate (2).

⚠ WARNING! When installing the MX2 Back, always ensure both latch mechanisms (D) are fully engaged around the upper mounting pins.

MX2 Back Installation onto Mounting Plates



4.0 MX2 BACK- REMOVABLE MOUNT INSTALLATION

4.7 MX2 Back: Width & Height Adjustments

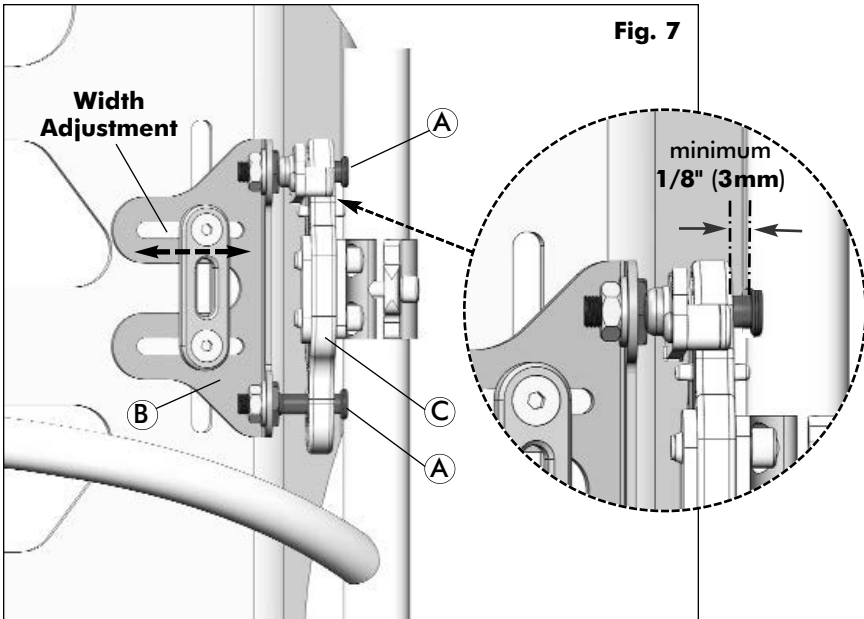
i IMPORTANT! Please note that **Width** and **Height** adjustments on the MX2 back are made simultaneously. During installation, we recommend making adjustments one bracket at a time and securing each bracket just enough to prevent slipping following each adjustment. The mounting hardware can be fully tightened upon completion of the installation/set-up.

- 1 Mounting Pin Width Adjustment:** With the MX2 Back latched into the mounting plates, adjust the mounting pin (A) width on each mounting bracket (B) so that a **minimum gap of 1/8" (3mm)** exists between the head of the mounting pins and the outside of the mounting plate (C)*. (Refer to **Fig. 7**).

***NOTE:** for a standard MX2 Back installation, the back shell should remain centered between the back canes following a width adjustment. (*Mounting brackets should be adjusted symmetrically on the back shell*)

- 2** Tighten both the mounting bracket assemblies just enough to prevent them from slipping.

MX2 Installation: Mounting Pin Set-Up/Width Adjustment



4.0 MX2 BACK- REMOVABLE MOUNT INSTALLATION

- 3 **MX2 Height Adjustment:** The MX2 back height can be adjusted as necessary, via the slotted channel in the MX2 Back shell (refer to **Fig. 8a**). The recommended back height* is approximately **5"-6" (13-15 cm)** from the top of the **seat surface** (seat cushion or seat pan; Refer to **Fig. 8b**).
- 4 Working on one side at a time, loosen the mounting bracket hardware (**A**), and slide the MX2 Back shell up/down until the desired back height is achieved. **NOTE:** The range of **MX2 Back Height Adjustment** varies depending on the height (slot length) on the MX2 Back Shell- see **Table 1.0**:
- 5 Tighten the mounting bracket plate/hardware (**A**) to secure the MX2 back in place, making certain to maintain the proper mounting pin width/position (per **Fig. 7**). Repeat the same back height adjustment on the opposite mounting bracket.
- 6 Once all width & height adjustments are finalized, fully secure **all** hardware.

Note: The recommended MX2 back height is provided as a guideline only. Slight variances may be necessary- see **Important! note below.*

MX2 Installation: Back Height Adjustment

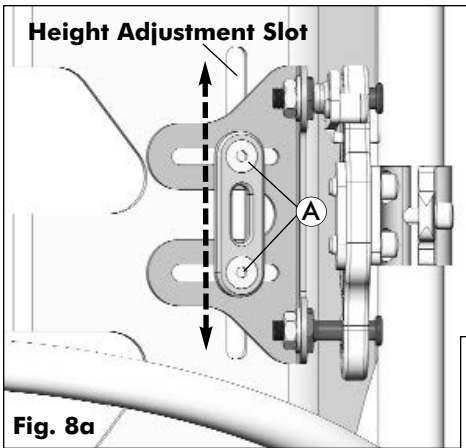
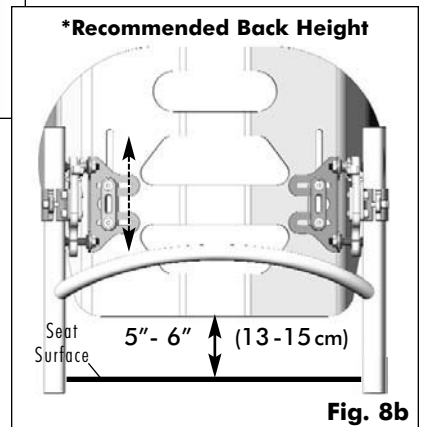


Table 1.0:
MX2 Height (Slot) Adjustment

Back Shell Height	Range of Adjustment
6" (150mm)	1/2" (13mm)
9" (230mm)	2" (51mm)
12" (310mm)	2" (51mm)
16" (410mm)	3.5" (89mm)

i IMPORTANT!

Always ensure that the bottom of the back is positioned anatomically below the Posterior Superior Iliac Spine (PSIS). If you have any questions or concerns regarding proper back height, please contact your provider and/or health professional for proper counseling.



4.0 MX2 BACK- REMOVABLE MOUNT INSTALLATION

4.8 MX2 Back: Angle & Depth Adjustments

ⓘ IMPORTANT! Please note that **Angle** and **Depth** adjustments on the MX2 back are also made simultaneously. These two adjustments are more easily completed by first loosening the adjustment hardware on both clamp assemblies. (**Note:** For a standard installation, the depth & angle adjustments should be made symmetrically on both mounting plates).

- 1 **MX2 Angle Adjustment:** If necessary, the MX2 back angle can be adjusted via the two depth/angle adjustment screws (A) on each mounting clamp assembly (B) (refer to Fig. 9a).
- 2 Loosen the depth/angle adjustment screws (x2) on each clamp assembly, and rotate the mounting plate (C) forward or backward to achieve the desired back angle (**angle adjustment range** = $\pm 15^\circ$, refer to Fig. 9b)

MX2 Installation: Back Angle Adjustment

Fig. 9a

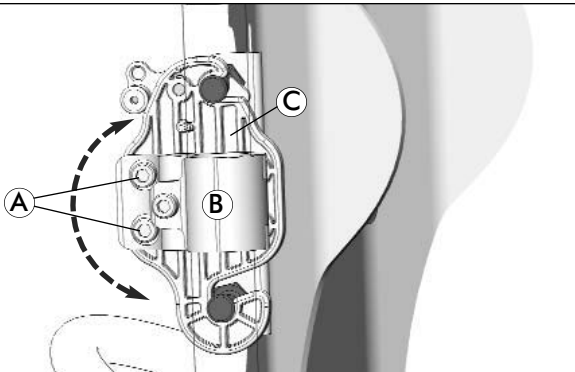
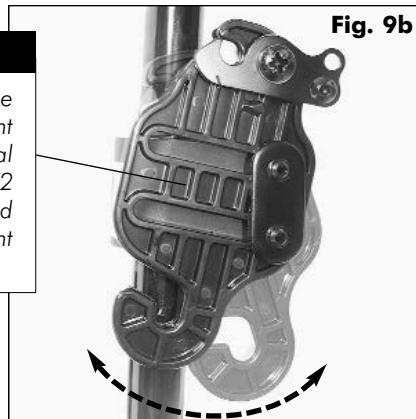


Fig. 9b



Angle Adjustment ($\pm 15^\circ$)

! PLEASE NOTE

The moulded vertical lines on the mounting plates are designed as a point of reference to assist with symmetrical adjustments. When adjusting the MX2 back angle, the vertical lines may be used to help set the same angle adjustment on both mounting plates.

4.0 MX2 BACK- REMOVABLE MOUNT INSTALLATION

- 3 **MX2 Depth Adjustment:** The overall MX2 back depth is controlled via two separate adjustments:

MX2 Cane Clamp Orientation: (see also Section 4.4)

The MX2 cane clamps (B) can be mounted in either the standard (rearward) orientation or in an inverted (forward) orientation for shorter seat depths (refer to Fig. 10).

At the **rearmost installation (1)**, the back depth = **-1.75" (44mm)**.

At the **forwardmost installation (2)**, the back depth = **+2.25" (57mm)**.

(**Note:** measurements are relative to the back canes and measured to the mounting pin position).

The maximum range of fore/aft depth adjustment (from rearmost installation to the forwardmost installation) = **4.25" (108mm)**

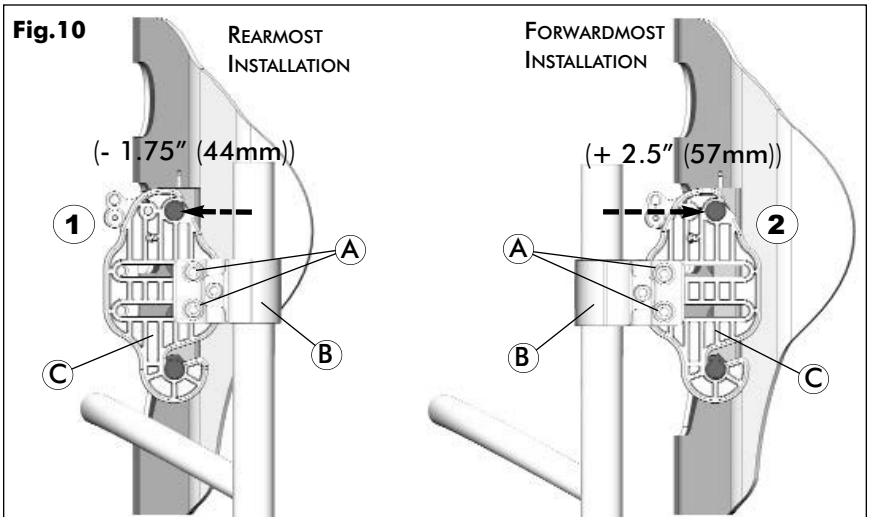
MX2 Mounting Plate Depth Adjustment*:

The slotted channels in the MX2 mounting plates (C) allow for up to **1.75" (44mm)** of depth adjustment within the maximum adjustment range (Refer to Fig. 11 (p.28)).

***NOTE:** The range of available mounting plate depth adjustment will be more limited when the angle of the MX2 Back is altered.

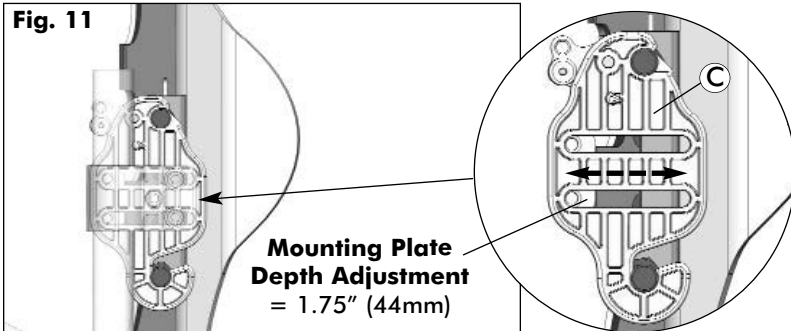
- 4 To adjust, loosen the two adjustment screws (A) on each cane clamp assembly and slide the mounting plates (C) forward or rearward via the adjustment slots to achieve the desired back depth.
- 5 Once all angle and depth adjustments are finalized, fully secure **all** hardware.

MX2 Installation: Back Depth Adjustment



4.0 MX2 BACK- REMOVABLE MOUNT INSTALLATION

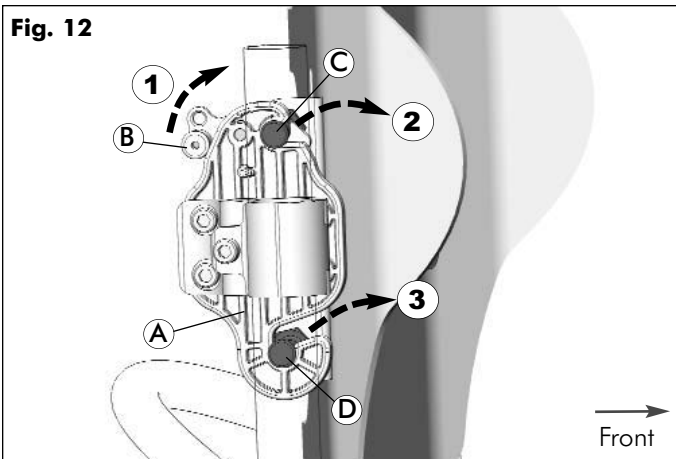
MX2 Installation: Back Depth Adjustment



4.9 Removing the MX2 Back from QR Hardware

- 1 Remove/disengage the MX2 back from the mounting plates (A) as follows (Refer to Fig.12 below):
 - i. Standing behind the wheelchair, **simultaneously** lift up on the latch release mechanism (B) on both mounting plates (1);
 - ii. With the latches open, push the top of the MX2 back forward (2) to disengage the upper mounting pins (C) from the mounting plates (A).
 - iii. With the upper pins disengaged, lift the MX2 Back upward and forward (3) to release the lower mounting pins (D) from the mounting plates.

Removing/Disengaging the MX2 Back



5.0 CARE AND MAINTENANCE

5.1 Care and Laundering:

i IMPORTANT! All cleaning agents and disinfectants used must be effective, compatible with one another and must protect the materials they are used to clean.

! CAUTION! Risk of Product Damage
DO NOT use cleaning agents containing bleach, phenols or alcohols.

General Care and Cleaning:

The cover may be easily wiped down with a damp cloth when necessary.

Laundering Directions (Outer Cover):

1. Carefully remove the cover by releasing the velcro hook & loop fasteners along the top & bottom edge and inside of the back shell.

NOTE: Before laundering, the inner foam cushion must be removed.

2. Machine wash at 60°C using the delicate cycle (see Instructions on label).

i IMPORTANT! Washing at higher temperatures may cause shrinkage

3. Hang cover to drip dry in a clean indoor environment;

or

Tumble dry on a low heat setting.

i IMPORTANT!

- Tumble dry setting must not exceed 40°C
- Do Not tumble dry for longer than 10 minutes
- Dry thoroughly before re-fitting to the foam
- Do Not Iron
- Do Not Dry Clean

5.2 Maintenance and Inspection:

Monthly: Perform a visual inspection of parts including hardware, brackets, upholstery materials, foams, and plastics for deformation, corrosion, breakage, wear or compression.

! WARNING! Risk of Injury or Damage

Inspect ALL fasteners weekly to ensure that mechanical connections and attaching hardware are tightened securely.

DO NOT continue to use this product if problems are discovered. Corrective measures can be performed at, or arranged through your equipment supplier.

6.0 MX2 OPTIONS

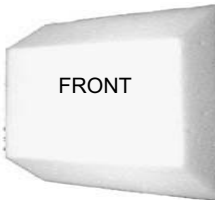
6.1 (Optional) Lumbar Support Installation/Adjustment

! PLEASE NOTE

The **Lumbar Support** is a pre-fabricated foam insert that provides lower back support for additional comfort. The position of the lumbar insert can be adjusted inside the Invacare® Matrx® MX2 cover (see *instructions below*), or it may be removed if no lumbar support is desired.

1. To access the lumbar support, open the hook and loop fastening strips on the outer cover A at the bottom rear of the back shell.
2. The foam lumbar support B is installed inside the Invacare® Matrx® MX2 cover between the foam back cushion C and the back shell D.
3. The lumbar support can be adjusted to any desired height/position.
4. Refasten the cover (via hook and loop strips) onto the back pan.

Lumbar Support



***NOTE:** *The lumbar foam may be cut/modified as needed, to meet the needs of the end user.*



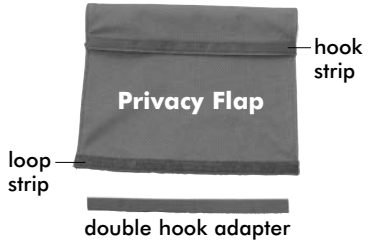
6.0 MX2 OPTIONS

6.2 (Optional) Privacy Flap (Sold Separately)

Privacy Flaps are available (sold separately) for use with all standard sized MX2 backs. All standard sized backs come with a pre-sewn loop strip across the bottom rear of the cushion cover for installation of the privacy flap.

Refer to the chart for proper sizing of the Privacy Flap for the MX2 back:.

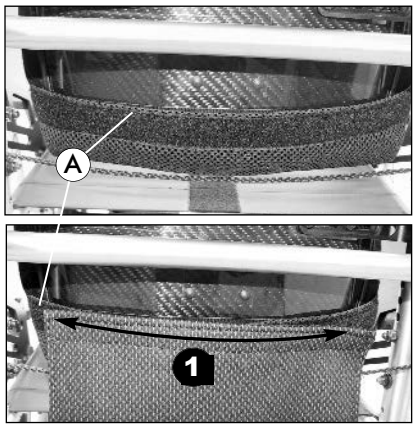
WIDTH	PRIVACY FLAP
14 in (36 cm)	PFLAP-XS 10" x 16" (26 cm x 41 cm)
15 in (38 cm)	PFLAP-S
16 in (41 cm)	13" x 16" (33 cm x 41 cm)
17 in (43 cm)	PFLAP-M
18 in (46 cm)	15" x 16" (38 cm x 41 cm)



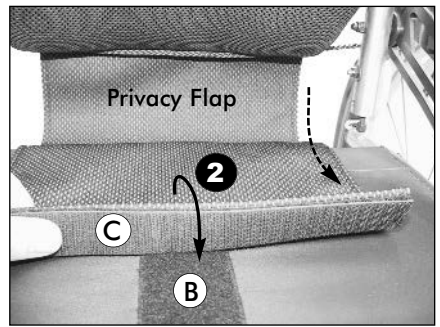
Installation Instructions:

1. Remove the wheelchair seat cushion (if installed).
2. Ensure the back is adjusted to the desired height. (Refer to Section 4.0, Figure 8.)
3. Standing behind the wheelchair (and facing the front); Align/attach the hook strip on the privacy flap onto the loop strip sewn into the bottom rear of the MX2 back cover (A). (see Step 1 below).
4. Pull the opposite (unattached) end of the privacy flap through the gap between the lower back shell and the wheelchair seat.
5. Secure the loop strip on the privacy flap to the pre-existing Velcro strip* (B) on the wheelchair sling seat or seat pan. (see Step 2 below).

***NOTE:** If the wheelchair seat has a matching loop strip installed, secure the Privacy Flap using the double hook adapter strip (C) provided.



REAR VIEW



FRONT VIEW

matrx[®]
SEATING SERIES



Dossier Matrx MX2

pour matériel de **MONTAGE FIXE** et
matériel de **MONTAGE AMOVIBLE**

INSTALLATION/CONFIGURATION

i IMPORTANT ! Les instructions d'installation qui figurent dans ce manuel doivent impérativement être mises en œuvre par un technicien qualifié.

REVENDEUR : Ce manuel DOIT être remis à l'utilisateur du produit.

UTILISATEUR : Avant d'utiliser ce produit, lisez ce manuel et conservez-le pour pouvoir vous y reporter.



GARANTIE

NOTE : LA GARANTIE CI-DESSOUS A ÉTÉ ÉLABORÉE EN CONFORMITÉ AVEC LA LOI FÉDÉRALE S'APPLIQUANT AUX PRODUITS FABRIQUÉS APRÈS LE 4 JUILLET 1975.

Cette garantie s'adresse uniquement à l'acheteur/utilisateur initial de nos produits. Cette garantie vous donne des droits spéciaux et vous pouvez également jouir d'autres droits qui varient selon les États. Ce produit est garanti par Invacare/Motion Concepts contre tout défaut de pièces et de main-d'œuvre pendant une période de deux ans d'utilisation par l'acheteur d'origine. Cette garantie ne couvre pas les perforations, déchirures ou brûlures, ni la housse amovible du coussin. Si au cours de la période de garantie, un produit est reconnu défectueux, il sera soit réparé soit remplacé, à la discrétion d'Invacare/Motion Concepts, par des pièces neuves ou recyclées. Cette garantie n'inclut pas la main-d'œuvre et les frais de transport encourus pour l'installation de la pièce de rechange ou la réparation du produit. Les réparations ne prolongent en rien cette garantie sur le produit - la couverture des produits réparés expire au même moment que cette garantie limitée. La seule obligation d'Invacare/Motion Concepts et votre droit exclusif à l'action en justice dans le cadre de cette garantie sont limités à ces réparations et/ou ce remplacement. Pour les interventions sous garantie, merci de contacter le revendeur qui vous a vendu votre produit Invacare/Motion Concepts. Si vous n'êtes pas satisfait de la prise en charge sous garantie, écrivez directement à Invacare/Motion Concepts à l'adresse mentionnée au verso du manuel. Indiquez le nom et l'adresse du vendeur, le numéro du modèle, la date d'achat, la nature du défaut et, si le produit en porte un, indiquez son numéro de série.

Invacare/Motion Concepts émettra alors une autorisation de retour. Le produit ou les pièces défectueuses doivent être retournés pour un examen de garantie avec le numéro de série pour identification, s'il existe, dans les trente (30) jours suivant la date d'autorisation de retour.

NE retournez PAS les produits à notre usine sans notre autorisation. Les envois contre remboursement seront refusés ; merci de régler les frais d'expédition.

LIMITATIONS ET EXCLUSIONS : LA GARANTIE NE COUVRE PAS LES PROBLÈMES CAUSÉS PAR L'USURE NORMALE OU LE NON-RESPECT DES PRÉSENTES INSTRUCTIONS. EN OUTRE, LA PRÉSENTE GARANTIE NE S'APPLIQUE PAS AUX PRODUITS DE SÉRIE DONT LE NUMÉRO DE SÉRIE A ÉTÉ SUPPRIMÉ OU EFFACÉ ; AUX PRODUITS SOUMIS À LA NÉGLIGENCE, À UN ACCIDENT, UNE UTILISATION NON-CONFORME, UN DÉFAUT DE MAINTENANCE OU DE STOCKAGE ; OU AUX PRODUITS MODIFIÉS SANS L'ACCORD PRÉALABLE ÉCRIT D'INVACARE/MOTION CONCEPTS, INCLUANT MAIS NON LIMITÉ AUX ACTIONS SUIVANTES : MODIFICATION PAR L'UTILISATION DE PIÈCES OU ACCESSOIRES NON AUTORISÉS ; PRODUITS ENDOMMAGÉS EN RAISON DE RÉPARATIONS EFFECTUÉES SUR TOUT COMPOSANT SANS L'ACCORD D'INVACARE/MOTION CONCEPTS ; PRODUITS ENDOMMAGÉS PAR DES CIRCONSTANCES HORS DU CONTRÔLE D'INVACARE/MOTION CONCEPTS ; PRODUITS RÉPARÉS PAR TOUT AUTRE QU'UN REVENDEUR INVACARE/MOTION CONCEPTS. INVACARE/MOTION CONCEPTS EST SEUL À POUVOIR ÉVALUER LA SITUATION.

LA PRÉSENTE GARANTIE EST EXCLUSIVE ET REMPLACE TOUTES LES AUTRES GARANTIES EXPRESSES ÉVENTUELLES, Y COMPRIS LES GARANTIES IMPLICITES DE QUALITÉ MARCHANDE ET DE CAPACITÉ À REMPLIR UNE FONCTION PARTICULIÈRE. ELLE NE S'ÉTEND PAS AU-DELÀ DE LA DURÉE DE LA GARANTIE EXPRESSE MENTIONNÉE ICI ET TOUTE ACTION EN JUSTICE POUR VIOLATION DE TOUTE GARANTIE IMPLICITE EST LIMITÉE À LA RÉPARATION ET AU REMPLACEMENT DU PRODUIT DÉFECTUEUX CONFORMÉMENT AUX PRÉSENTS TERMES. INVACARE/MOTION CONCEPTS NE SAURAIT ÊTRE TENU RESPONSABLE DE DOMMAGES INDIRECTS OU ACCIDENTELS DE QUELQUE NATURE QU'ILS SOIENT. LA PRÉSENTE GARANTIE EST ÉTENDUE POUR ÊTRE CONFORME AUX LOIS ET EXIGENCES DE L'ÉTAT/DE LA PROVINCE CONCERNÉ(E).

La reproduction ou la réimpression, partielle ou complète, de ce manuel est interdite sans l'autorisation préalable écrite de Motion Concepts ou de ses représentants légaux.

Ce manuel d'utilisation a été rédigé en tenant compte des caractéristiques techniques et des informations les plus récentes sur le produit au moment de la parution. Nous nous réservons le droit d'apporter toutes les modifications qui s'avèreraient nécessaires. Toute modification apportée à nos produits peut causer de légères variations entre les illustrations et explications figurant dans ce manuel et le produit que vous avez acheté. Si vous avez des questions ou des inquiétudes vis-à-vis des informations figurant dans ce manuel, contactez notre SAV.


Motion Concepts LP Copyright © 2017


Sommaire


- 1.0 Avertissements généraux
- 2.0 Consignes de sécurité
- 3.0 Installation/Réglage du MX2 - **Montage fixe**
- 4.0 Installation/Réglage du MX2 - **Montage amovible**
- 5.0 Consignes d'entretien et de maintenance
- 6.0 Options du MX2


SYMBOLES DE SÉCURITÉ :

Pour une installation et une utilisation adéquates et sans risque de votre dossier Invacare Matrix MX2, vous devez faire preuve de discernement et de bon sens, de même que votre fournisseur, aide-soignant et/ou professionnel de santé. Les symboles suivants sont utilisés tout au long de ce manuel d'utilisation pour désigner les avertissements, mises en garde et informations importantes. Il est impératif que vous les lisiez et compreniez bien.

 **ATTENTION !** À défaut de tenir compte des mises en garde mentionnées dans ce manuel, vous risquez d'endommager votre siège Matrix.

 **AVERTISSEMENT !** À défaut de tenir compte des avertissements mentionnés dans ce manuel, vous risquez de vous blesser.

 **IMPORTANT !** Informations importantes à garder à l'esprit pendant l'installation et la configuration de votre produit Matrix.

 **IMPORTANT !** Veuillez consulter le manuel d'utilisation de votre fauteuil roulant pour prendre connaissance des consignes de sécurité, avertissements et mises en garde qui concernent son fonctionnement.

1.0 AVERTISSEMENTS/INFORMATIONS GÉNÉRAUX

1.1 Présentation

▲ AVERTISSEMENT DESTINÉ À L'UTILISATEUR

NE PAS UTILISER CE PRODUIT OU TOUT AUTRE ÉQUIPEMENT OPTIONNEL DISPONIBLE SANS AVOIR LU ET COMPRIS INTÉGRALEMENT CES INSTRUCTIONS ET TOUTE AUTRE DOCUMENTATION ADDITIONNELLE TELLE QUE LES MANUELS DE L'UTILISATEUR, LES MANUELS DE MAINTENANCE OU LES FICHES D'INSTRUCTIONS FOURNIES AVEC CE PRODUIT OU L'ÉQUIPEMENT EN OPTION. SI VOUS NE COMPRENEZ PAS LES AVERTISSEMENTS, MISES EN GARDE OU INSTRUCTIONS, CONTACTEZ UN PROFESSIONNEL DE SANTÉ, UN REVENDEUR OU DES TECHNICIENS AVANT D'ESSAYER D'UTILISER CET ÉQUIPEMENT, SOUS PEINE DE PROVOQUER DES BLESSURES OU DES DOMMAGES.

i INFORMATIONS IMPORTANTES

La meilleure façon d'éviter les problèmes liés aux escarres est de comprendre leurs causes ainsi que le rôle que vous avez à jouer dans le cadre d'un programme de traitement cutané. Si vous avez des questions concernant des besoins particuliers ou des limites personnelles, n'hésitez pas à consulter votre thérapeute ou votre médecin. Les coussins du dossier doivent toujours être sélectionnés avec soin. Faire appel à un thérapeute et à un médecin est le meilleur moyen de vous assurer que le coussin choisi correspond à vos besoins. Plus vos besoins sont complexes, plus il est important d'évaluer les différents systèmes d'assise.

Dossiers Invacare® Matrx® MX2

Le dossier Invacare® Matrx® MX2 offre une orientation précise sur le fauteuil roulant pour un maintien optimal. La mousse est surdimensionnée pour davantage de confort et de protection.

Le dossier Invacare® Matrx® MX2 comporte un coussin lombaire en mousse, amovible, pouvant être installé/inséré derrière le coussin en mousse existant afin de permettre davantage de positionnements. Reportez-vous à la **Section 6.0 - Support lombaire**.

La housse extérieure est en maille Spacer Mesh respirante, associée à un similicuir qui lui confère une plus grande durabilité. Il est conseillé de nettoyer et de vérifier régulièrement la housse externe. Reportez-vous à la **Section 5.0 - Entretien et maintenance**.

1.2 Éléments d'usure

i IMPORTANT ! Les éléments et composants de ce produit touchés par l'usure normale sont (liste non exhaustive) : tous les éléments en toile, y compris la toile du dossier et les coussins.

Invacare se réserve le droit de demander le retour de tout article présentant un défaut de fabrication allégué. Consultez la **politique de garantie** (au verso) pour plus de détail sur la garantie.

Se reporter à ce manuel d'utilisation pour un calendrier de maintenance préventive et pour savoir comment utiliser correctement le produit. Il fournit simplement des informations d'ordre général et ne traite pas des produits endommagés en raison d'une utilisation abusive ou impropre. La vie utile dépend de plusieurs facteurs.

1.3 Utilisation conforme

Nos dossiers Invacare® Matrx® MX2 sont conçus pour fournir une orientation précise dans le fauteuil roulant, pour un maintien optimal.

2.0 CONSIGNES DE SÉCURITÉ

2.1 Avertissements concernant le transport

⚠ AVERTISSEMENT !

Le transport dans un véhicule à moteur de l'utilisateur assis dans sont fauteuil roulant équipé d'un dossier Invacare® Matrix® MX2 comporte un risque de blessure grave.

- Si possible, Invacare recommande de transférer l'utilisateur du fauteuil roulant sur un siège du véhicule et d'utiliser une ceinture de sécurité abdominale et diagonale.
- Les dossiers Invacare® Matrix® MX2 ne doivent être utilisés que sur des fauteuils roulants qui sont conformes aux exigences de performances des normes RESNA WC19 or ISO 7176-19.
- Pour transporter en toute sécurité un utilisateur installé dans un fauteuil roulant à bord d'un véhicule à moteur, reportez-vous aux manuels d'utilisation du fauteuil roulant et du système de fixation du fauteuil roulant et de l'occupant.

2.2 Consignes générales de sécurité

⚠ AVERTISSEMENT ! Risque de dommages matériels ou de blessure grave, voire mortelle

Une utilisation inadéquate de ce produit est susceptible d'entraîner des blessures ou des dommages matériels. Si vous ne comprenez pas les avertissements, mises en garde ou instructions, contactez un professionnel de santé ou le revendeur avant d'essayer d'utiliser cet équipement. N'utilisez PAS ce produit ou tout autre équipement disponible en option sans avoir lu et compris entièrement ces instructions et toute autre documentation supplémentaire, telle que le manuel d'utilisation, les manuels de maintenance ou les fiches d'instructions fournis avec ce produit ou l'équipement en option.

⚠ AVERTISSEMENT ! Risque de dommages matériels ou de blessure grave, voire mortelle

La chute d'une cigarette allumée sur un système d'assise rembourré peut déclencher un incendie susceptible de provoquer des dommages matériels ou des blessures graves, voire mortelles. Les occupants de fauteuil roulant sont plus particulièrement exposés à un risque de blessure grave, voire mortelle, lié à ces incendies et aux fumées résultantes car ils ne sont pas toujours capables de s'éloigner du fauteuil roulant.

- Ne fumez PAS lors de l'utilisation de ce fauteuil roulant

⚠ AVERTISSEMENT ! Risque de blessure

Les produits Invacare® Matrix® sont spécialement conçus et fabriqués pour être utilisés avec des accessoires Invacare® Matrix®. Les accessoires conçus par d'autres fabricants, n'ont pas été testés par Invacare et leur utilisation avec les produits Invacare® Matrix® est déconseillée.

⚠ AVERTISSEMENT Risque de blessure

Après l'installation d'un nouveau système d'assise, il est recommandé de vérifier fréquemment l'état de la peau. Si vous avez des questions concernant des besoins particuliers ou des limites personnelles, n'hésitez pas à consulter votre thérapeute ou votre médecin. Plus vos besoins sont complexes, plus il est important d'évaluer les différents systèmes d'assise.

2.0 CONSIGNES DE SÉCURITÉ

2.3 Mises en garde pour l'installation

⚠ AVERTISSEMENT ! Risque de blessure grave

Lors du choix de la position de montage du dossier Invacare® Matrx® MX2, assurez-vous de la stabilité du fauteuil roulant. L'ajustement de la position avant et arrière du dossier modifie le centre de gravité de l'utilisateur dans le fauteuil roulant. Une position reculée vers l'arrière peut réduire sensiblement la stabilité arrière du fauteuil roulant. De la même manière, une position avancée réduit la stabilité avant du fauteuil roulant.

⚠ AVERTISSEMENT ! Risque de dommage matériel ou de blessure grave

• Les procédures décrites dans le présent manuel doivent être mises en œuvre par un technicien qualifié.

• Du matériel de fixation serré de manière insuffisante risque de provoquer une instabilité entraînant des dommages matériels ou des blessures graves.

• Après TOUT réglage, réparation ou entretien et avant toute utilisation, veillez à ce que l'intégralité du matériel de fixation soit bien serré.

• N'installez PAS le dossier Invacare® Matrx® MX2 sur des cannes de dossier dont le diamètre extérieur est supérieur à 1" (25 mm) ou inférieur à 3/4" (19 mm). Le non-respect de cette consigne risque de provoquer des blessures ou des dommages matériels.

• Le dossier Invacare® Matrx® MX2 n'est pas destiné à être utilisé avec des applications d'assise motorisée.

• La position de montage du dossier Invacare® Matrx® MX2 est directement liée à la stabilité du fauteuil roulant. Le repositionnement des roulettes avant, des roues arrière, de l'inclinaison du dossier, de l'inclinaison dans l'espace, de la position d'inclinaison et/ou de la profondeur d'assise peut s'avérer nécessaire avant utilisation.

• Avant toute utilisation, assurez-vous que le dossier Invacare® Matrx® MX2 est correctement fixé au fauteuil roulant. Le non-respect de cette consigne risque de provoquer des blessures ou des dommages matériels.

⚠ AVERTISSEMENT ! Risque de dommage matériel ou de blessure grave

Le matériel d'installation fourni offre une résistance élevée et une durabilité éprouvée. **NE remplacez PAS le matériel.** Vous devez utiliser uniquement le matériel Matrx MX2 d'origine fourni.

2.4 Tailles de dossiers/Poids supporté :

MODÈLE CONFIGURÉ	DESCRIPTION	PROFONDEUR DU CONTOUR	POIDS SUPPORTÉ
IMX2wwhh	Dossier Matrx MX2	3 pouces (76 mm)	250 livres/(113 kg)

* ww hh = largeur/hauteur

Tailles disponibles : Largeur : 14" - 18" (355 mm - 460 mm) ;
Hauteur : 6" (150 mm), 9" (230 mm), 12" (310 mm),
16" (410 mm)

Veillez contacter votre revendeur ou thérapeute pour déterminer le modèle/la taille de dossier qui correspond à vos besoins. Pour de plus amples informations sur nos dossiers Matrx, notamment sur tous les modèles et tailles disponibles, consultez le site Internet www.motionconcepts.com ou www.invacare.com.

3.0 DOSSIER MX2 - INSTALLATION D'UN MONTAGE FIXE

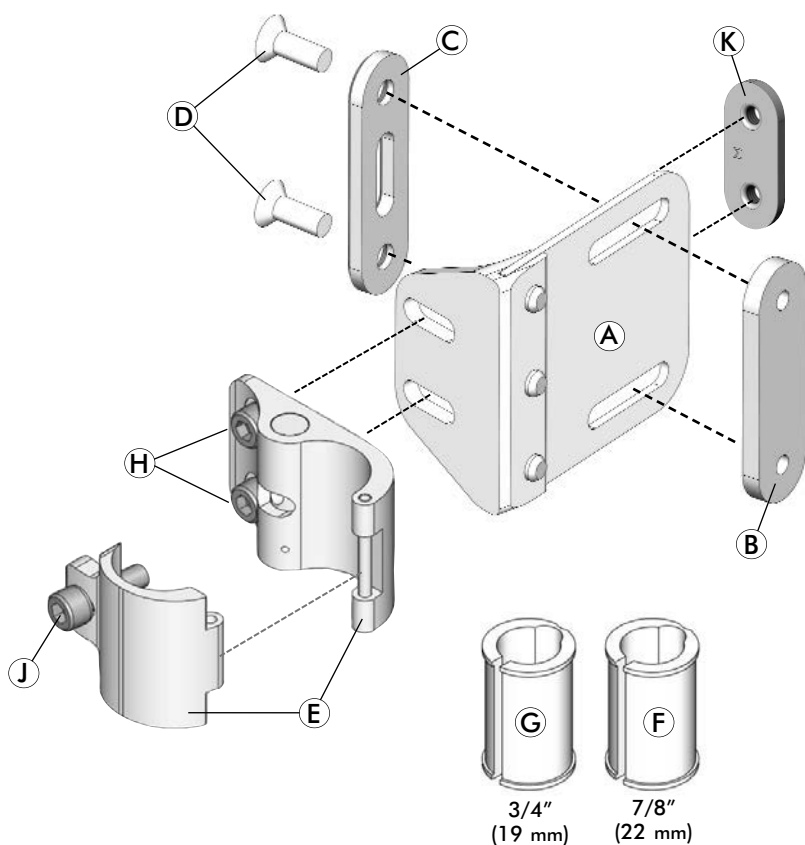
3.1 Kit de matériel de montage fixe

- i) Ensemble de support de montage (à installer sur la coquille du dossier MX2) :
- | | |
|---|---|
| 2 - Supports de montage fixes (A) | 2 - Plaques de boulonnage pour support fixe (C) |
| 2 - Plaques d'écrou pour support fixe (B) | 4 - Vis pour support fixe (D) |

- ii) Ensemble de lame de canne (à installer sur les cannes de dossier du fauteuil roulant) :

- | | |
|---|--|
| 2 - Clames de canne (E) | 4 - Vis de réglage de la profondeur/de l'inclinaison (H) |
| 2 - Inserts de canne 7/8" (22 mm) (F) | 2 - Vis de lames de canne (J) |
| 2 - Inserts pour canne 3/4" (19 mm) (G) | 2 - Plaques d'écrou pour lames de canne (K) |

(illustration de l'ensemble du matériel pour le côté droit)



3.0 DOSSIER MX2 - INSTALLATION D'UN MONTAGE FIXE

3.2 Outils requis

Clé hexagonale (4 mm/5 mm) (fournie)

Ruban à mesurer/Règle

! NOTEZ

Si un élément du matériel de montage fourni est perdu ou manquant, contactez votre représentant Invacare/Motion Concepts pour obtenir les pièces de rechange nécessaires.

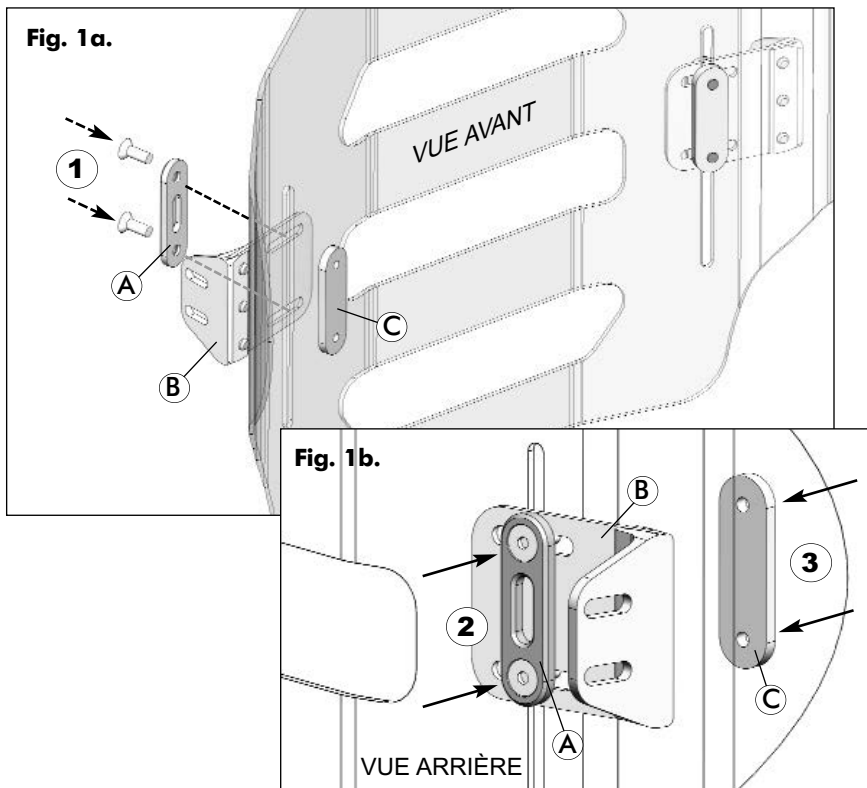
3.3 Installation du support de montage fixe MX2 :

i REMARQUE : avant d'installer les supports de montage fixes, retirez ou desserrez avec précaution la housse du MX2 en détachant les fixations velcro le long du bord inférieur et à l'intérieur de la coquille du dossier.

- 1 En commençant par un côté de la coquille, installez le support de montage fixe sur la coquille du dossier Invacare® Matrix® MX2 comme suit :
 - Aligned la plaque de boulonnage (A) sur les fentes du support de montage fixe (B) et insérez les vis à travers les deux composants (1) ; (reportez-vous à la Fig. 1a)
 - À l'arrière de la coquille du dossier MX2, placez les 2 vis qui font saillie sur le support de montage dans la fente verticale de la coquille (2) ; (reportez-vous à la Fig. 1b)
 - Pour fixer le support de montage à la coquille du dossier MX2, vissez les vis dans la plaque d'écrou (C) à l'avant (intérieur) de la coquille du dossier (3) ; (reportez-vous à la Fig. 1b)
- 2 Installez le support de montage fixe restant sur le côté opposé de la coquille du dossier (en suivant l'Étape 1 ci-dessus).

3.0 DOSSIER MX2 - INSTALLATION D'UN MONTAGE FIXE

Installation du support de montage fixe



3.4 Pré-installation : orientation des lames de canne du MX2 :

! **IMPORTANT !** Avant d'installer les lames de canne MX2, vous devez d'abord déterminer l'orientation des lames.

Dans une **configuration standard**, les lames de canne (A) sont assemblées et montées sur les cannes de dossier dans l'orientation *la plus reculée*. Dans cette configuration, la profondeur d'assise disponible sur le fauteuil roulant est maximale ; reportez-vous à la **Fig. 2a**.

Dans une **configuration inversée***, les lames de canne (A) sont pivotées de 180° sur les cannes de dossier. Dans cette configuration, la profondeur d'assise disponible est minimale et le dossier MX2 est situé plus à l'avant, si nécessaire ; reportez-vous à la **Fig. 2b**.

Les lames de canne (A) offrent 1,5" (38 mm) de réglage avant et arrière (par rapport à la canne de dossier) en fonction de la configuration de montage choisie.

3.0 DOSSIER MX2 - INSTALLATION D'UN MONTAGE FIXE

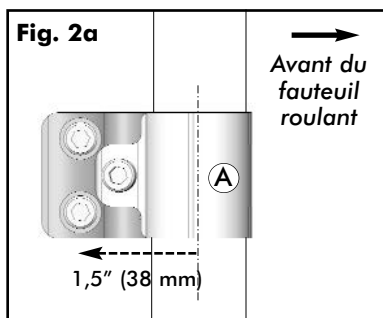
3.4 Pré-installation : orientation des lames de canne du MX2 : ...suite

⚠ AVERTISSEMENT ! Risque de blessure grave

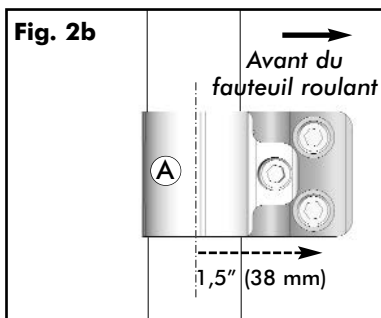
Lors du choix de la position finale de montage du dossier Invacare® Matrix® MX2, assurez-vous de la stabilité du fauteuil roulant.

L'ajustement de la position avant et arrière du dossier modifie le centre de gravité de l'utilisateur dans le fauteuil roulant. Une position reculée vers l'arrière peut réduire sensiblement la stabilité arrière du fauteuil roulant. De la même manière, une position avancée réduit la stabilité avant du fauteuil roulant.

Orientation des lames de canne MX2



**Configuration standard
de la lame de canne**
(profondeur d'assise maximum)



**Configuration inversée
de la lame de canne**
(profondeur d'assise minimum)

3.5 Installation des lames de canne MX2 :

Les lames de canne MX2 sont conçues pour une installation sur des cannes de dossier de 1" (25 mm), 7/8" (22 mm) et 3/4" (19 mm) de diamètre. (Des inserts en plastique (A) sont fournis pour permettre d'utiliser des cannes de dossier de plus petit diamètre*).

- 1 Retirez le dossier existant du fauteuil roulant (le cas échéant).
- 2 Placez sans le fixer l'ensemble de lames de canne (B) sur chaque canne de dossier, dans l'orientation souhaitée ; reportez-vous à la Fig. 3 et à la Fig. 4 pour une vue d'ensemble de l'installation.

*Utilisation de cannes de dossier de différentes tailles :

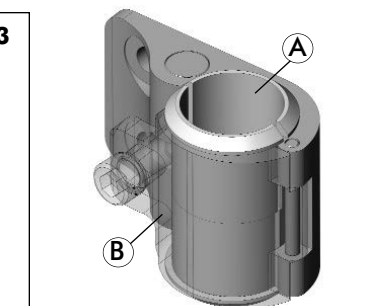
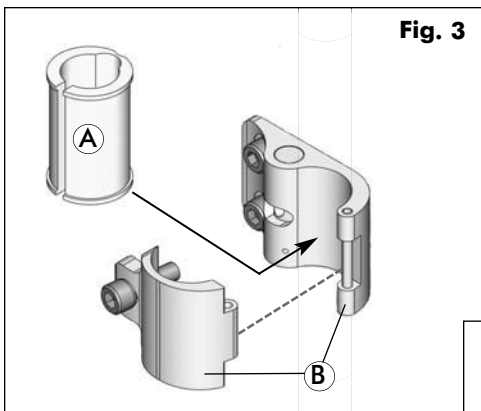
Canne de 1" (25 mm) - Inserts en plastique non requis

Canne de 7/8" (22 mm) - Placez des inserts en plastique de 7/8" (22 mm) (x2)

Canne de 3/4" (19 mm) - Placez des inserts en plastique de 3/4" (19 mm) (x2)

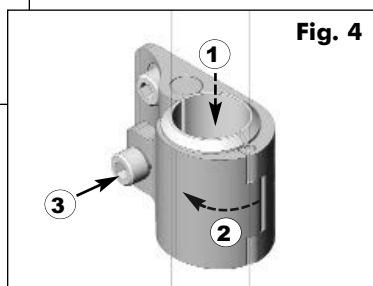
3.0 DOSSIER MX2 - INSTALLATION D'UN MONTAGE FIXE

Installation des lames de canne MX2



CONSEIL

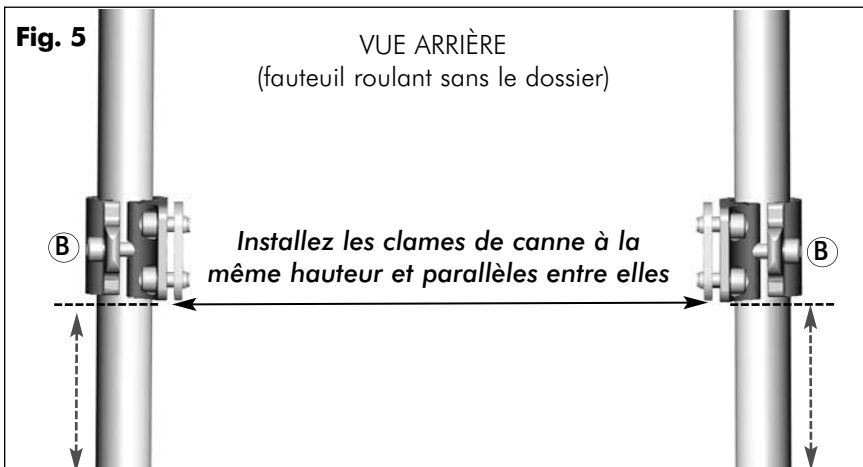
Vaporisez un peu de laque pour cheveux sur les cannes de dossier et à l'intérieur des inserts en plastique pour empêcher les glissements.



- 3 En commençant d'un côté, faites glisser/ajustez l'ensemble de lames de canne (B) jusqu'à la position/hauteur souhaitée sur la canne de dossier et serrez pour fixer le tout.

Remarque : la hauteur finale du dossier peut encore être ajustée/réglée après l'installation de la coquille du dossier MX2 sur les lames de canne (reportez-vous à la Fig. 5)

Réglage de la hauteur de la lame de canne MX2



3.0 DOSSIER MX2 - INSTALLATION D'UN MONTAGE FIXE

3.5 Installation des lames de canne MX2 : (...suite)

- 4 À partir d'un point fixe sur le fauteuil roulant (par ex. armature du siège/barre rigide), mesurez la hauteur de la première lame de canne (B) et fixez la deuxième lame de canne (B) à la même hauteur sur la canne de dossier opposée (reportez-vous à la Fig. 5)

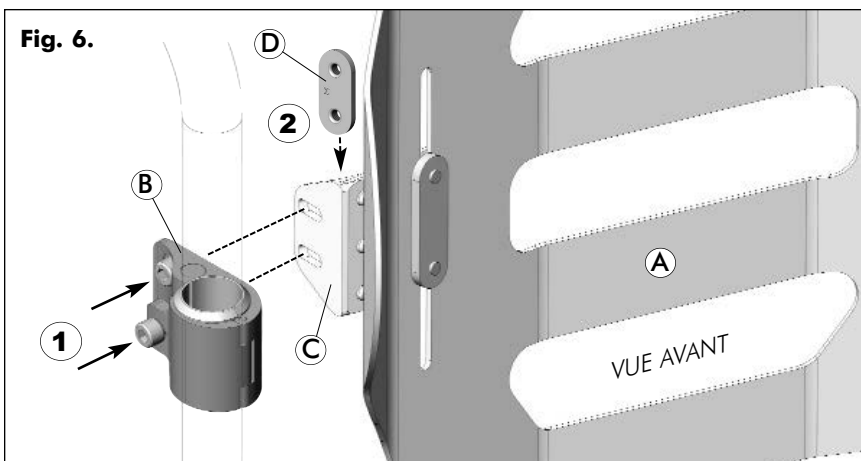
Remarque : assurez-vous que les lames de canne installées sont alignées et parallèles entre elles.

3.6 Installation du dossier MX2 sur des lames de canne fixes :

- 1 En commençant par un côté de la coquille du dossier, installez le dossier Matrix MX2 (A) sur les lames de canne* (reportez-vous à la Fig. 6) :
- Alignez les 2 vis de montage de l'ensemble de lames de canne (B) sur les fentes correspondantes du support de montage fixe MX2 (C) (1).
 - Fixez l'ensemble de lames de canne au support de montage MX2 à l'aide de la plaque d'écrou fileté (D) (2).
 - Recommencez les étapes (1) et (2) pour fixer la coquille du dossier MX2 sur la canne de dossier opposée.

***REMARQUE :** avant d'installer le dossier Matrix MX2 sur les lames de canne, vous devez desserrer légèrement les supports de montage fixes pour pouvoir aligner et installer la coquille du dossier. Reportez-vous à la Section 3.7 (Fig. 8) pour des instructions plus détaillées sur le réglage de la largeur/hauteur

Installation du dossier MX2 : matériel de montage FIXE



3.0 DOSSIER MX2 - INSTALLATION D'UN MONTAGE FIXE

3.7 Réglages du dossier MX2 à montage fixe :

i IMPORTANT ! Les supports de montage fixes MX2 sont conçus pour être installés sur des cannes de dossier qui sont jusqu'à **1" (25 mm) plus larges ou 1" (25 mm) plus étroites** que la largeur de dossier nominale. Pour une configuration standard, le dossier MX2 doit être installé symétriquement (centré) entre les cannes de dossier.

i IMPORTANT ! Pour que vous puissiez déterminer au mieux les configurations optimales de profondeur, de hauteur et d'inclinaison du dossier, l'utilisateur doit être assis dans le fauteuil roulant pendant les réglages.

- 1 Une fois que la coquille du dossier MX2 est installée sur le fauteuil roulant (clames de canne), la profondeur et la hauteur/largeur finales, ainsi que l'inclinaison du dossier MX2 peuvent encore être ajustées en fonction des besoins de l'utilisateur :
 - i. **Réglage de la profondeur :** la profondeur du dossier MX2 (par rapport aux cannes de dossier) se règle avec deux paramètres :

Orientation des clames de canne du MX2 : (voir aussi Section 3.4) L'orientation des clames de canne MX2 (installation la plus avancée ou la plus reculée) déterminera la position de la coquille du dossier (+/- 1,5" [38 mm]) par rapport aux cannes de dossier (1). Reportez-vous à la Fig. 7a.

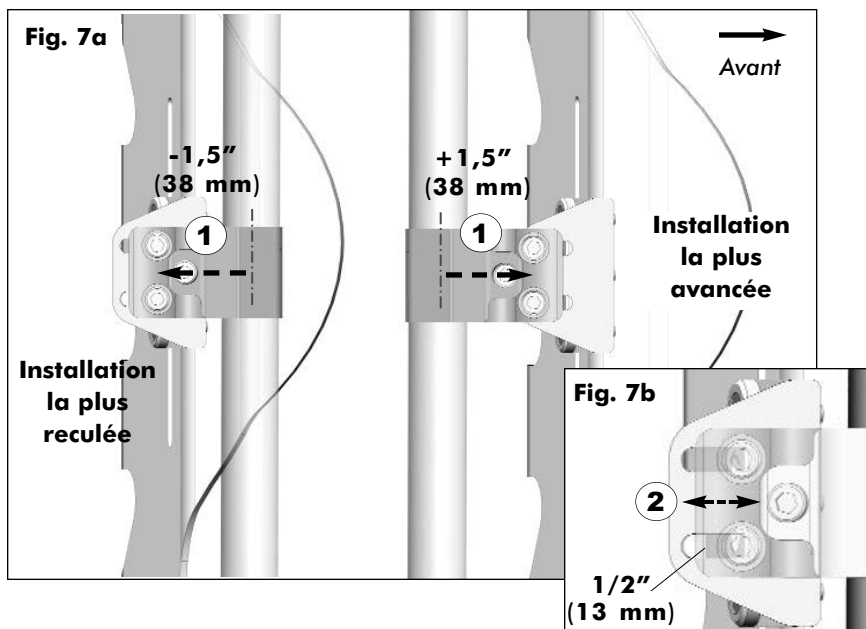
Plage de réglage maximum de la profondeur avant/arrière avec matériel de montage fixe MX2 = 3" (76 mm) (+/- 1,5" [38 mm]).

Plaques de fixation MX2 :
Les glissières à fente des plaques de fixation MX2 permettent jusqu'à 1/2" (13 mm) de réglage de la profondeur (2) dans la plage de réglage maximum. Reportez-vous à la Fig. 7b.
 - ii. **Réglage de la largeur/hauteur :** afin de tenir compte des variations de largeur des cannes de dossier, les réglages précis de largeur peuvent être effectués via les fentes horizontales des supports de montage MX2 (1). La hauteur du dossier MX2 (par rapport aux clames de canne) peut être réglée à l'aide des fentes verticales de la coquille du dossier MX2 (2). La longueur de la fente (réglage de la hauteur) varie selon la taille (hauteur) de la coquille du dossier. Reportez-vous à la Fig. 8a et 8b.
 - iii. **Réglage de l'inclinaison :** les réglages de l'inclinaison du dossier de $\pm 15^\circ$ s'effectuent en faisant pivoter la coquille du dossier vers l'avant (1) ou vers l'arrière (2) dans les glissières à fente des supports de montage
- 2 Vérifiez que le confort, l'ajustage et l'alignement du dossier sur le fauteuil roulant conviennent à l'utilisateur. Faites les réglages supplémentaires nécessaires.
- 3 Fixez/serrez bien tout le matériel d'installation/de fixation et vérifiez que les supports de montage/clames de canne MX2 ne glissent pas et ne pivotent pas.

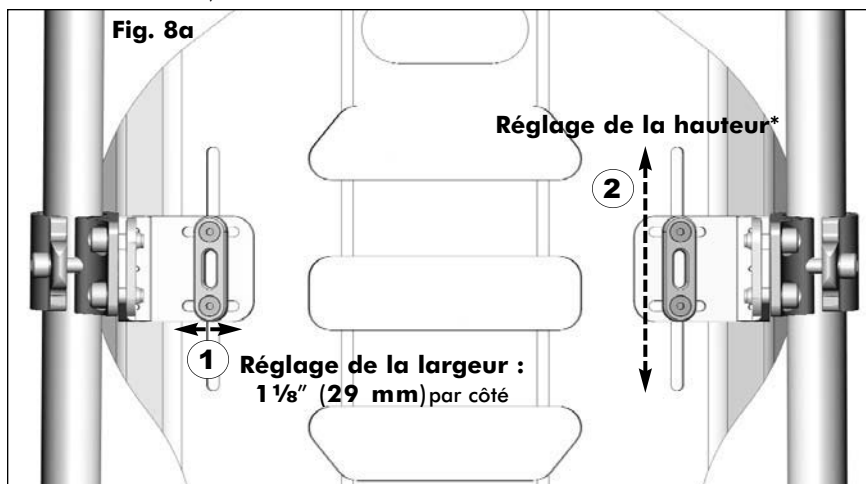
3.0 DOSSIER MX2 - INSTALLATION D'UN MONTAGE FIXE

i IMPORTANT ! Sauf exigence contraire, **tous** les réglages de profondeur, de hauteur et d'inclinaison doivent être symétriques sur les plaques de fixation droite et gauche.

Montage MX2 fixe : réglage de la PROFONDEUR



Montage MX2 fixe : réglage de la LARGEUR/HAUTEUR (par rapport à la clame de canne)



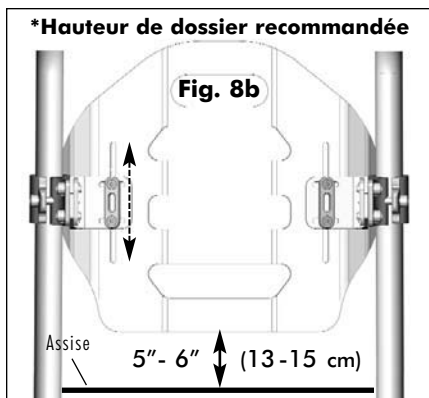
3.0 DOSSIER MX2 - INSTALLATION D'UN MONTAGE FIXE

***REMARQUE :** la plage de réglage de la hauteur du dossier MX2 varie en fonction de la hauteur (longueur de la fente) sur la coquille du dossier MX2 ; reportez-vous au **Tableau 1.0** :

Tableau 1.0 :
Réglage de la hauteur MX2 (fente)

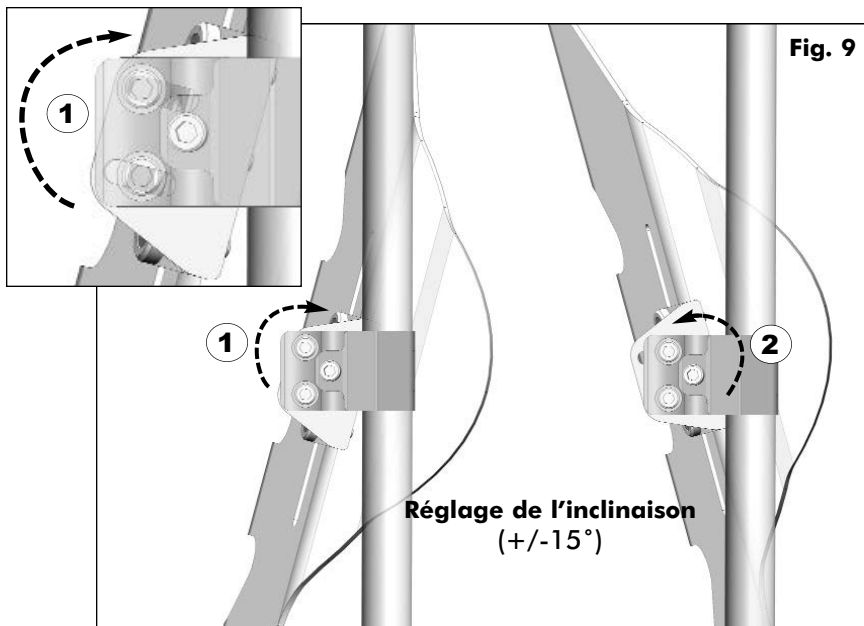
Hauteur de la coquille du dossier	Plage de réglage
6" (150 mm)	1/2" (13 mm)
9" (230 mm)	2" (51 mm)
12" (310 mm)	2" (51 mm)
16" (410 mm)	3,5" (89 mm)

***Remarque :** la hauteur recommandée pour le dossier MX2 est fournie à titre indicatif uniquement. De légères variations peuvent s'avérer nécessaires ; voir l'encadré **Important !** ci-dessous.



ⓘ IMPORTANT ! Assurez-vous toujours que la partie inférieure du dossier est positionnée de façon anatomique sous l'épine iliaque postéro-supérieure. Si vous avez des questions ou des inquiétudes concernant la hauteur du dossier à choisir, contactez votre fournisseur et/ou un professionnel de santé pour être conseillé.

Montage MX2 fixe : réglage de l'INCLINAISON DU DOSSIER

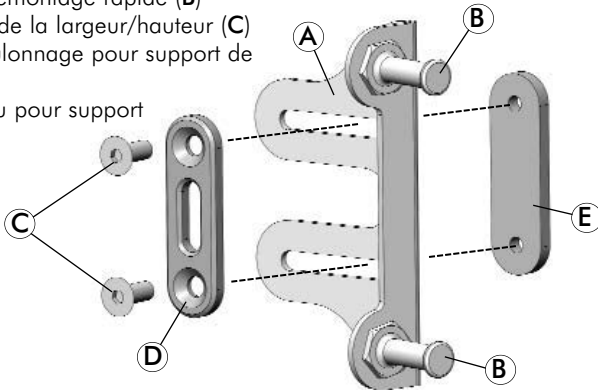


4.0 DOSSIER MX2 - INSTALLATION D'UN MONTAGE AMOVIBLE

4.1 Kit de matériel de montage amovible (démontage rapide) :

i) Ensemble de supports de montage à démontage rapide (à installer sur la coquille du dossier MX2) :

- 2 - Supports de montage MX2 à démontage rapide (A)
- 4 - Goupilles de démontage rapide (B)
- 4 - Vis de réglage de la largeur/hauteur (C)
- 2 - Plaques de boulonnage pour support de montage (D)
- 2 - Plaques d'écrou pour support de montage (E)

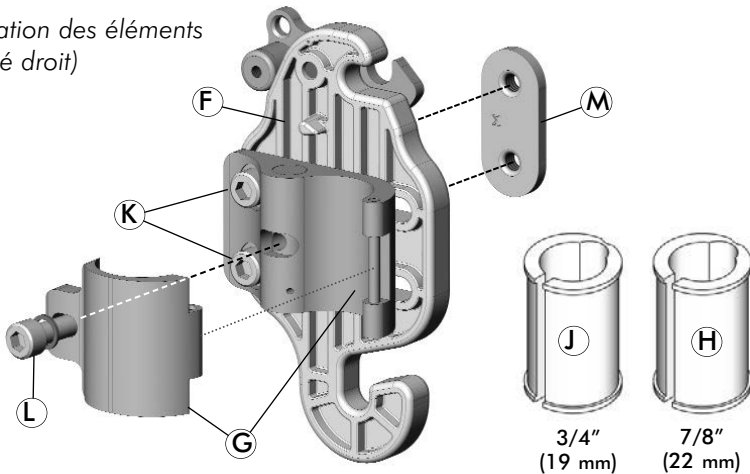


(illustration des éléments du côté droit)

ii) Ensemble de lame de canne (à installer sur les cannes de dossier du fauteuil roulant) :

- 2 - Plaques de fixation Mini (F)
- 2 - Clame de canne (G)
- 2 - Inserts de canne 7/8" (22 mm) (H)
- 2 - Inserts de canne 3/4" (19 mm) (J)
- 4 - Vis de réglage de la profondeur/de l'inclinaison (K)
- 2 - Vis de lame de canne (L)
- 2 - Plaques d'écrou pour lame de canne (M)

(illustration des éléments du côté droit)



4.0 DOSSIER MX2 - INSTALLATION D'UN MONTAGE AMOVIBLE

4.2 Outils requis

Clé hexagonale (4 mm/5 mm) (fournie)

Ruban à mesurer/Règle

! NOTEZ

Si un élément du matériel de montage fourni est perdu ou manquant, contactez votre représentant Invacare/Motion Concepts pour obtenir les pièces de rechange nécessaires.

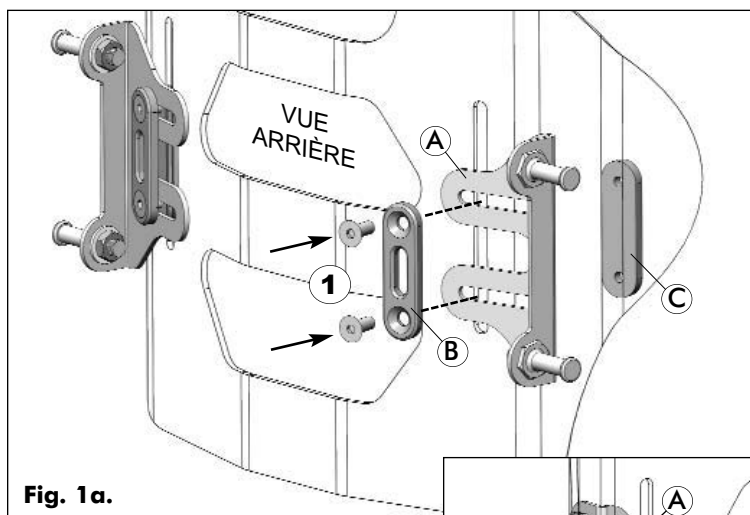
4.3 Installation des supports de montage MX2 à démontage rapide :

i REMARQUE : avant d'installer les supports de montage à démontage rapide, retirez avec soin la housse du MX2 en détachant les fixations velcro le long des bords supérieur et inférieur et à l'intérieur de la coquille du dossier.

- 1 En commençant par un côté de la coquille, installez le support de montage à démontage rapide (**A**) sur la coquille du dossier Matrx MX2 comme suit :
 - Alignez la plaque de boulonnage (**B**) sur les fentes du support de montage (**A**) et insérez les vis à travers les deux éléments (**1**) ; (reportez-vous à la **Fig. 1a** (p.18))
 - À l'arrière de la coquille du dossier MX2, placez les 2 vis qui font saillie sur le support de montage dans la fente verticale de la coquille (**2**) ; (reportez-vous à la **Fig. 1b**)
 - Pour fixer le support de montage à la coquille du dossier MX2, vissez les vis dans la plaque d'écrou (**D**) à l'avant (intérieur) de la coquille du dossier (**3**) ; (reportez-vous à la **Fig.1b**)
- 2 Installez le support de montage à démontage rapide restant (**A**) sur le côté opposé de la coquille du dossier (en suivant l'**Étape 1** ci-dessus).

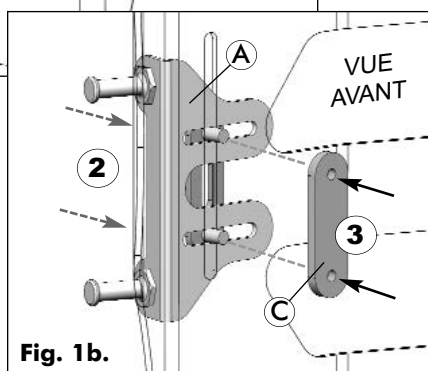
4.0 DOSSIER MX2 - INSTALLATION D'UN MONTAGE AMOVIBLE

Installation des supports de montage à démontage rapide



CONSEIL

Les supports de montage à démontage rapide/le matériel peuvent être assemblés sur la coquille du dossier MX2 afin de faciliter l'alignement des supports (largeur/hauteur) pendant l'installation sur les plaques de fixation MX2.



4.4 Pré-installation : orientation des clames de canne du MX2

IMPORTANT ! Avant d'installer l'ensemble des clames de canne MX2, vous devez d'abord déterminer l'orientation des clames.

AVERTISSEMENT ! Risque de blessure grave

Lors du choix de la position finale de montage du dossier Invacare® Matrix® MX2, assurez-vous de la stabilité du fauteuil roulant.

L'ajustement de la position avant et arrière du dossier modifie le centre de gravité de l'utilisateur dans le fauteuil roulant. Une position reculée vers l'arrière peut réduire sensiblement la stabilité arrière du fauteuil roulant. De la même manière, une position avancée réduit la stabilité avant du fauteuil roulant.

4.0 DOSSIER MX2 - INSTALLATION D'UN MONTAGE AMOVIBLE

Dans une **configuration standard**, les lames de canne MX2 (A) et les plaques de fixation (B) sont assemblées et montées sur les cannes de dossier dans l'orientation la plus reculée. Dans cette configuration, la profondeur d'assise disponible sur le fauteuil roulant est maximale ; reportez-vous à la Fig. 2.

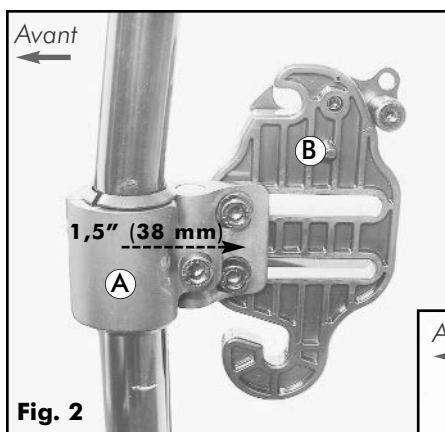
Dans une **configuration inversée***, les lames de canne (A) sont pivotées de 180° sur les cannes de dossier. Dans cette configuration, la profondeur d'assise disponible est minimale et le dossier MX2 est plus à l'avant si nécessaire ; reportez-vous à la Fig. 3.

Les lames de canne (A) offrent 1,5" (38 mm) de réglage avant et arrière (par rapport à la canne de dossier) en fonction de la configuration de montage choisie.

Remarque : reportez-vous à la **Section 4.8** pour des instructions plus détaillées sur les réglages de la profondeur du montage MX2 amovible.

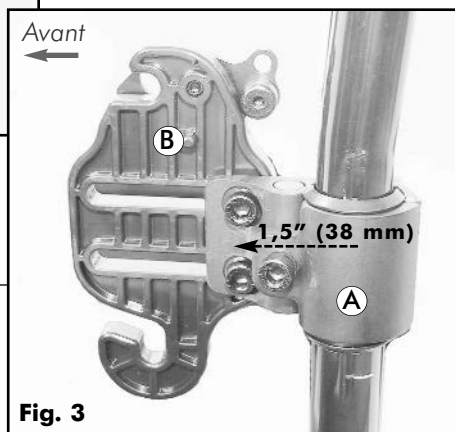
***Pour inverser la plaque de fixation/la lame de canne dans l'orientation la plus avancée :**

- 1 Démontez la plaque de fixation (B) de la lame de canne (A) (2 vis) ;
- 2 Faites pivoter la lame de canne (A) de 180°, puis remontez la plaque de fixation (B) dans la même orientation (comme le montre la Fig. 3)



**Configuration standard
de la lame de canne**
(profondeur d'assise
maximum)

**Configuration inversée
de la lame de canne**
(profondeur d'assise
minimum)



4.0 DOSSIER MX2 - INSTALLATION D'UN MONTAGE AMOVIBLE

4.5 Installation des lames de canne MX2 et des plaques de fixation :

Les lames de canne MX2 sont conçues pour une installation sur des cannes de dossier de 1" (25 mm), 7/8" (22 mm) et 3/4" (19 mm) de diamètre. (Des inserts en plastique (A) sont fournis pour permettre d'utiliser des cannes de dossier de plus petit diamètre*).

- 1 Retirez le dossier existant du fauteuil roulant (le cas échéant).
- 2 Placez sans le fixer l'ensemble de lames de canne (B) sur chaque canne de dossier, dans la configuration souhaitée ; reportez-vous à la Fig. 4 et la Fig. 5 pour une vue d'ensemble de l'installation.

*Utilisation de cannes de dossier de différentes tailles :

Canne de 1" (25 mm) - Inserts en plastique non requis

Canne de 7/8" (22 mm) - Placez des inserts en plastique de 7/8" (22 mm) (x2)

Canne de 3/4" (19 mm) - Placez des inserts en plastique de 3/4" (19 mm) (x2)

Installation des lames de canne MX2

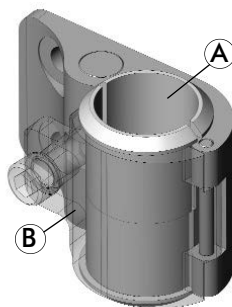
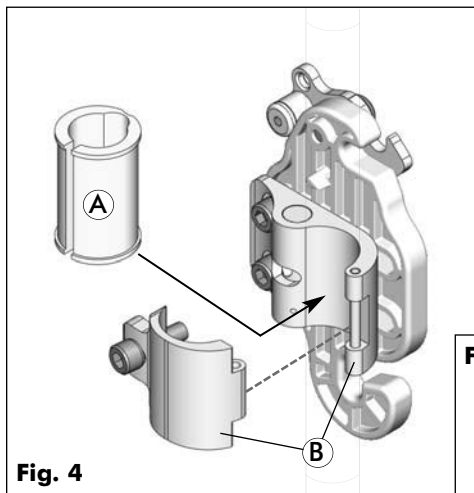
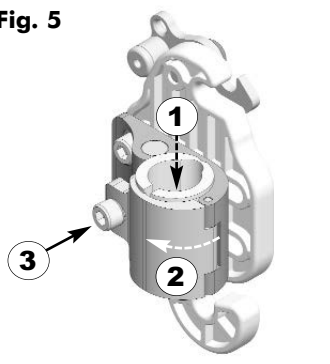


Fig. 5



CONSEIL

Vaporisez un peu de laque pour cheveux sur les cannes de dossier et à l'intérieur des inserts en plastique pour empêcher les glissements.

4.0 DOSSIER MX2 - INSTALLATION D'UN MONTAGE AMOVIBLE

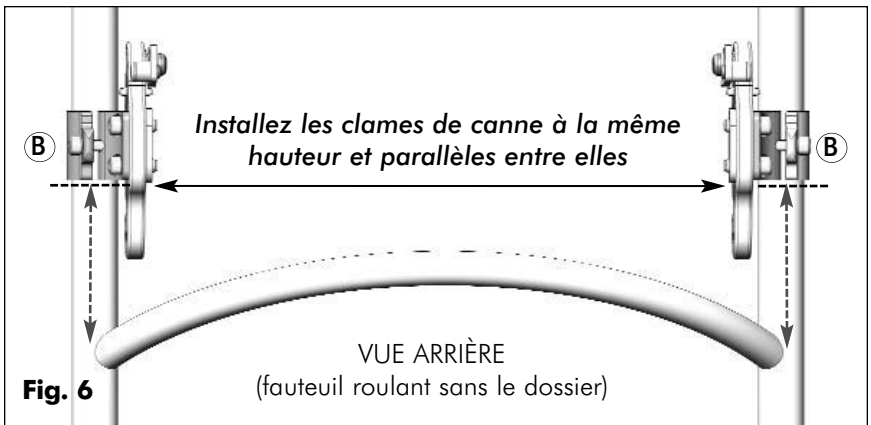
- 3 En commençant d'un côté, faites glisser/ajustez la lame de canne (B) jusqu'à la position/hauteur souhaitée sur la canne de dossier et serrez pour fixer le tout.

Remarque : la hauteur finale du dossier peut encore être ajustée/réglée après l'installation de la coquille du dossier MX2 sur les plaques de fixation

- 4 À partir d'un point fixe sur le fauteuil roulant (par ex. armature du siège/barre rigide), mesurez la hauteur du premier ensemble de lame de canne et fixez la deuxième lame de canne à la même hauteur sur la canne de dossier opposée ; reportez-vous à la Fig. 6 ci-dessous.

Remarque : assurez-vous que les lames de canne/plaques de fixation installées sont alignées et parallèles entre elles.

Réglage de la hauteur de la lame de canne MX2/plaque de fixation



4.6 Installation du dossier MX2 sur le matériel à démontage rapide

⚠ AVERTISSEMENT ! Une broche de fixation mal placée peut endommager le panneau arrière et/ou les plaques de fixation. Assurez-vous que l'espace est suffisant entre les plaques de fixation et la tête des broches de fixation (un espace minimum de 1/8" (3 mm) est recommandé).

⚠ AVERTISSEMENT ! N'utilisez JAMAIS de Loctite sur le matériel de fixation ; les composants qui ne sont pas en métal peuvent se détériorer et devenir cassants s'ils sont contaminés.

❗ IMPORTANT ! Sauf nécessité contraire, assurez-vous toujours que les réglages sont **symétriques** à gauche et à droite des supports de montage.

4.0 DOSSIER MX2 - INSTALLATION D'UN MONTAGE AMOVIBLE

! **IMPORTANT !** Notez que si vous desserrez les supports de montage à démontage rapide (A) vous ajusterez simultanément la **largeur** et la **hauteur** du dossier MX2. Veuillez lire **toutes les instructions** avant de commencer l'installation. Pendant l'installation, il est conseillé de procéder aux réglages d'un support de montage à la fois.

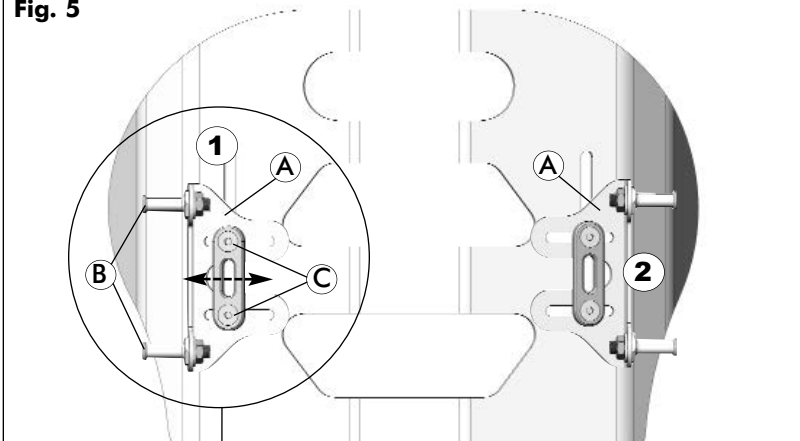
! NOTEZ

Chaque support de montage à démontage rapide (A) est fourni avec des broches de fixation (B) pré-installées et comporte des fentes de réglage de la largeur permettant d'installer le dossier MX2 sur des cannes de dossier qui sont jusqu'à **1" (25 mm) plus larges ou 1" (25 mm) plus étroites** que la largeur de dossier nominale.

- 1 Avant d'installer le dossier Invacare® Matrx® MX2 : (reportez-vous à la **Fig. 5**)
 - i. En procédant sur un seul côté, desserrez légèrement la plaque d'écrou et le matériel du support de montage (C) de façon à ce que le support de montage à démontage rapide (A) et les broches de fixation (B) puissent être réglés vers l'intérieur ou vers l'extérieur (1) (selon le cas) pour être alignés sur les plaques de fixation des clames de canne ; reportez-vous à l'**Étape 2**. (**Fig. 6a/6b**)
 - ii. Laissez le support de montage à démontage rapide restant (opposé) fixé à la coquille du dossier MX2 (2).

Alignement du support de montage/de la broche de fixation à démontage rapide (pré-installation)

Fig. 5



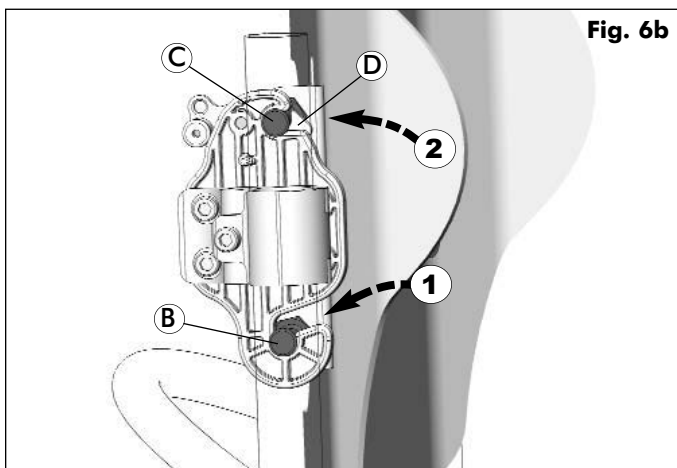
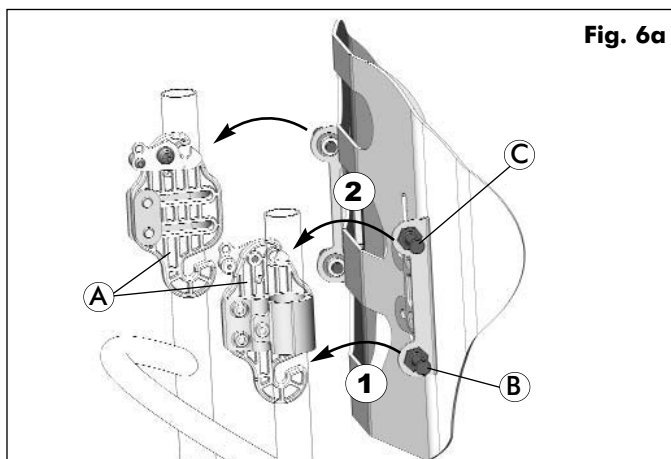
Desserrez l'ensemble
du support de montage
(un seul côté)

4.0 DOSSIER MX2 - INSTALLATION D'UN MONTAGE AMOVIBLE

- 2 Installez le dossier MX2 sur les plaques de fixation (A) comme suit : (reportez-vous à la Fig. 6a et 6b)
- Alignez et insérez les broches de fixation inférieures (B) dans les fentes présentes au bas de chaque plaque de fixation (1).
 - Lorsque les broches de fixation inférieures sont bien en place, verrouillez/enclenchez les broches supérieures (C) dans le mécanisme de verrouillage (D) en haut de chaque plaque de fixation (2).

⚠ AVERTISSEMENT ! Lors de l'installation du dossier MX2, vérifiez toujours que les deux mécanismes (D) sont complètement engagés autour des broches de fixation supérieures.

Installation du dossier MX2 sur les plaques de fixation



4.0 DOSSIER MX2 - INSTALLATION D'UN MONTAGE AMOVIBLE

4.7 Dossier MX2 : réglages de la largeur et de la hauteur

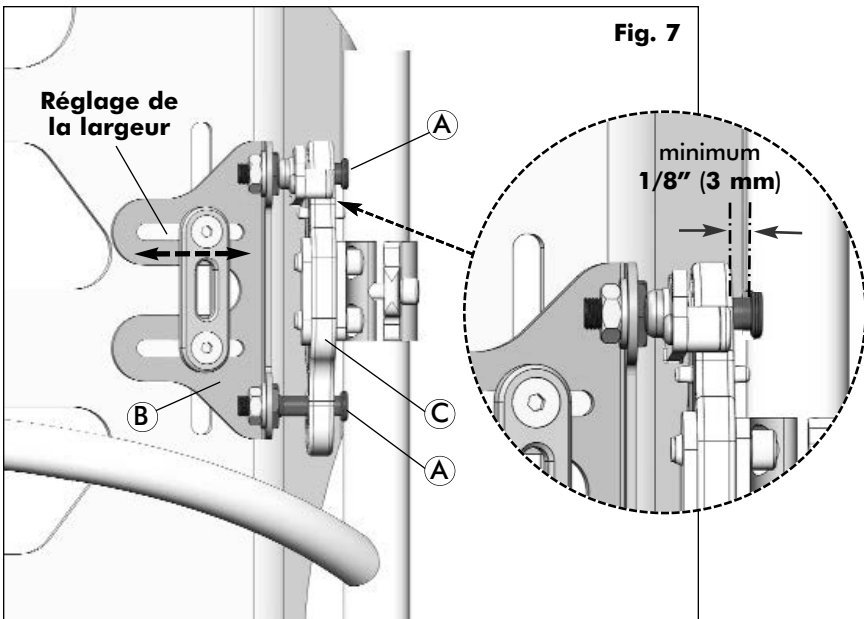
f **IMPORTANT !** Notez que les réglages de **largeur** et de **hauteur** du dossier MX2 se font simultanément. Pendant l'installation, nous vous conseillons de procéder aux réglages d'un support de montage à la fois et de fixer chaque support juste suffisamment pour l'empêcher de glisser après chaque réglage. Le matériel de montage peut être complètement serré lorsque l'installation/la configuration est terminée.

- 1 **Réglage de la largeur de la broche de fixation** : le dossier MX2 étant verrouillé dans les plaques de fixation, réglez la largeur de la broche de fixation (A) sur chaque support de montage (B) de façon à ce qu'il y ait un **espace minimum de 1/8" (3 mm)** entre la tête des broches de fixation et l'extérieur de la plaque de fixation (C)*. (reportez-vous à la **Fig. 7**).

***REMARQUE** : pour une installation standard du dossier MX2, la coquille du dossier doit rester centrée entre les cannes de dossier après un réglage de la largeur. (Les supports de montage doivent être réglés symétriquement sur la coquille du dossier)

- 2 Serrez les deux ensembles de support de montage juste suffisamment pour les empêcher de glisser.

Installation du MX2 : réglage de la configuration/largeur de la broche de fixation



4.0 DOSSIER MX2 - INSTALLATION D'UN MONTAGE AMOVIBLE

- Réglage de la hauteur MX2 :** la hauteur du dossier MX2 peut être réglée selon les besoins, via la glissière à fente de la coquille du dossier MX2 (reportez-vous à la Fig. 8a). La hauteur de dossier recommandée* est d'environ 5"-6" (13-15 cm) à partir du sommet de l'assise (coussin d'assise ou plateau d'assise ; reportez-vous à la Fig. 8b).
- En procédant sur un côté à la fois, desserrez le matériel de support de montage (A) et faites glisser la coquille du dossier MX2 vers le haut/bas jusqu'à atteindre la hauteur souhaitée du dossier. **REMARQUE :** la plage de réglage de la hauteur du dossier MX2 varie en fonction de la hauteur (longueur de la fente) sur la coquille du dossier MX2 ; reportez-vous au Tableau 1.0 :
- Serrez le support de montage/le matériel (A) pour fixer le dossier MX2 et maintenir la largeur/position correcte de la broche de fixation (comme sur la Fig. 7). Recommencez de la même façon pour régler la hauteur du dossier sur le support de montage opposé.
- Lorsque tous les réglages de largeur et de hauteur sont terminés, fixez tous
**Remarque : la hauteur recommandée pour le dossier MX2 est fournie à titre indicatif uniquement. De légères variations peuvent s'avérer nécessaires ; voir l'encadré Important ! ci-dessous.*

Installation du MX2 : réglage de la hauteur du dossier

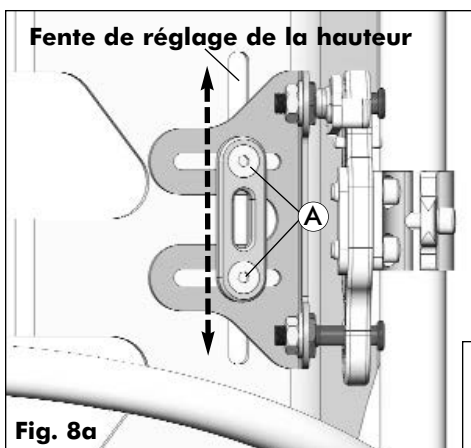
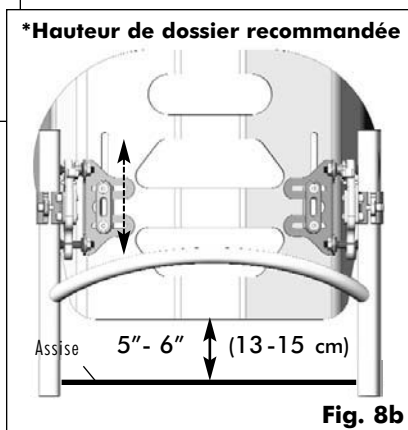


Tableau 1.0 :
Réglage de la hauteur MX2 (fente)

Hauteur de la coquille du dossier	Plage de réglage
6" (150 mm)	1/2" (13 mm)
9" (230 mm)	2" (51 mm)
12" (310 mm)	2" (51 mm)
16" (410 mm)	3,5" (89 mm)

IMPORTANT !
Assurez-vous toujours que la partie inférieure du dossier est positionnée de façon anatomique sous l'épine iliaque postéro-supérieure. Si vous avez des questions ou des inquiétudes concernant la hauteur du dossier à choisir, contactez votre fournisseur et/ou un professionnel de santé pour être conseillé.



4.0 DOSSIER MX2 - INSTALLATION D'UN MONTAGE AMOVIBLE

4.8 Dossier MX2 : réglage de la profondeur et de l'inclinaison

i IMPORTANT ! Notez que les réglages d'inclinaison et de profondeur du dossier MX2 se font aussi simultanément. Ces deux réglages sont plus faciles à réaliser si vous desserrez d'abord le matériel de réglage sur les deux ensembles de lame. (*Remarque : pour une installation standard, les réglages de profondeur et d'inclinaison doivent être symétriques sur les deux plaques de fixation*).

- 1 **Réglage de l'inclinaison du MX2 :** si nécessaire, l'inclinaison du dossier MX2 peut être réglée à l'aide des deux vis de réglage de la profondeur/de l'inclinaison (A) se trouvant sur chaque ensemble de lame de fixation (B) (reportez-vous à la Fig. 9a).
- 2 Desserrez les vis de réglage de la profondeur/de l'inclinaison (x2) sur chaque ensemble de lame et faites pivoter la plaque de fixation (C) vers l'avant ou vers l'arrière pour obtenir l'angle souhaité sur le dossier (plage de réglage de l'inclinaison = $\pm 15^\circ$; reportez-vous à la Fig. 9b)

Installation du MX2 : réglage de l'inclinaison du dossier

Fig. 9a

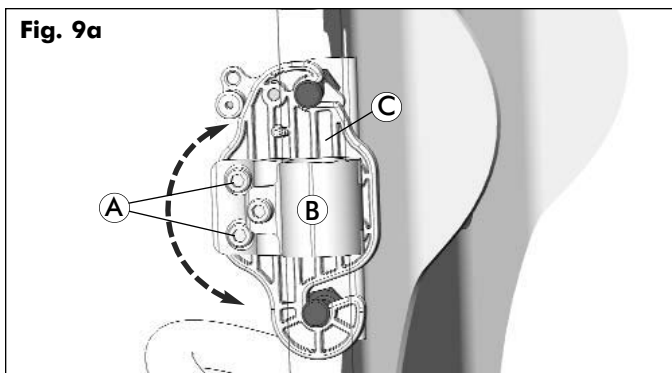
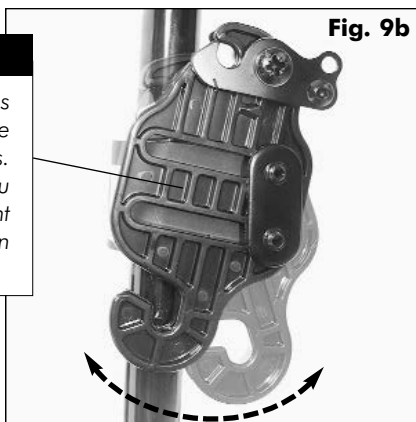


Fig. 9b



Réglage de l'inclinaison ($\pm 15^\circ$)

! NOTEZ

Les lignes verticales moulées des plaques de fixation servent de point de référence pour permettre des réglages symétriques. Lorsque vous réglez l'inclinaison du dossier MX2, les lignes verticales peuvent vous aider à régler la même inclinaison sur les deux plaques de fixation.

4.0 DOSSIER MX2 - INSTALLATION D'UN MONTAGE AMOVIBLE

- 3 **Réglage de la profondeur du MX2 :** la profondeur globale du dossier MX2 se règle par deux paramètres différents :

Orientation des lames de canne du MX2 : (voir aussi Section 4.4)

Les lames de canne MX2 (B) peuvent être installées soit en orientation standard (vers l'arrière), soit en orientation inversée (vers l'avant) pour des profondeurs d'assise plus courtes (reportez-vous à la Fig. 10).

Dans l'installation la plus reculée (1), la profondeur du dossier = $-1,75''$ (44 mm).

Dans l'installation la plus avancée (2), la profondeur du dossier = $+2,25''$ (57 mm).

(Remarque : les mesures s'entendent par rapport aux cannes de dossier et sont prises à la position de la broche de fixation).

Plage maximum de réglage de la profondeur avant/arrière (de l'installation la plus reculée à l'installation la plus avancée) = $4,25''$ (108 mm)

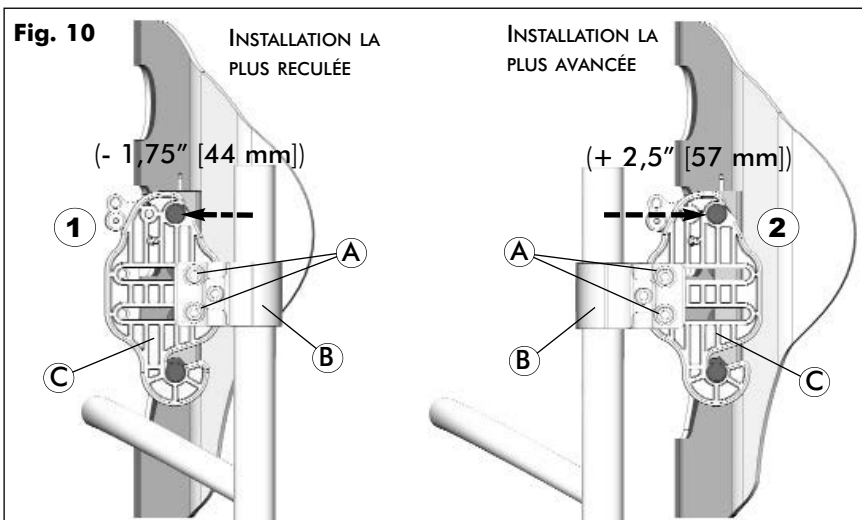
Réglage de la profondeur de la plaque de fixation MX2* :

Les glissières à fente du MX2 (C) permettent jusqu'à $1,75''$ (44 mm) de réglage de profondeur dans la plage de réglage maximum (reportez-vous à la Fig. 11 [p.28]).

*REMARQUE : la plage de réglage possible de la profondeur des plaques de fixation sera plus limitée si l'inclinaison du dossier MX2 est modifiée.

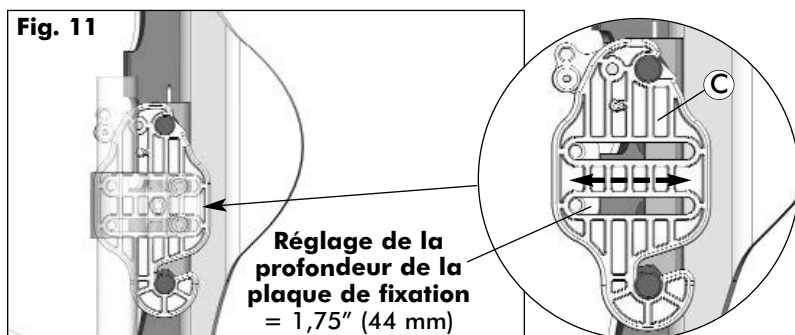
- 4 Pour procéder au réglage, desserrez les deux vis de réglage (A) sur chaque ensemble de lame de canne et faites glisser les plaques de fixation (C) vers l'avant ou l'arrière via les fentes de réglage pour obtenir la profondeur de dossier souhaitée.
- 5 Lorsque tous les réglages d'inclinaison et de profondeur sont terminés, serrez tous les éléments matériels.

Installation du MX2 : réglage de la profondeur du dossier



4.0 DOSSIER MX2 - INSTALLATION D'UN MONTAGE AMOVIBLE

Installation du MX2 : réglage de la profondeur du dossier



4.9 Démontage du dossier MX2 fixé sur matériel à démontage rapide

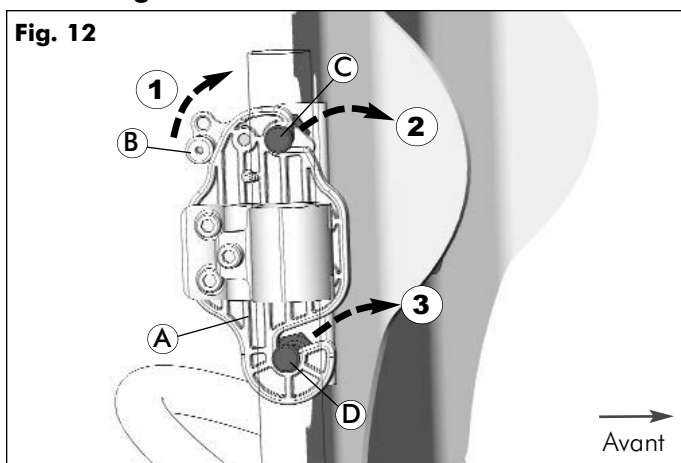
- 1 Retirez/déverrouillez le dossier MX2 des plaques de fixation (A) comme suit (reportez-vous à la Fig. 12 ci-dessous) :

i. En vous plaçant derrière le fauteuil roulant, tirez **simultanément** vers le haut le mécanisme de déverrouillage (B) des deux plaques de fixation (1).

ii. Les verrous étant ouverts, poussez le sommet du dossier MX2 vers l'avant (2) pour libérer les broches de fixation supérieures (C) des plaques de fixation (A).

iii. Les broches supérieures étant libérées, soulevez le dossier MX2 vers le haut et vers l'avant (3) pour libérer les broches de fixation inférieures (D) des plaques de fixation.

Démontage/Retrait du dossier MX2



5.0 ENTRETIEN ET MAINTENANCE

5.1 Entretien et nettoyage :

i IMPORTANT ! Tous les désinfectants et agents de nettoyage utilisés doivent être efficaces, compatibles entre eux et protéger les surfaces qu'ils sont censés nettoyer.

! ATTENTION ! Risque d'endommagement du produit
N'utilisez PAS d'agents de nettoyage contenant des agents blanchissants, des phénols ou des alcools.

Consignes générales d'entretien et de nettoyage :

La housse est facile à essuyer avec un chiffon humide si nécessaire.

Consignes de nettoyage (housse externe) :

1. Retirez avec soin la housse en détachant les fixations velcro le long des bords supérieur et inférieur et à l'intérieur de la coquille du dossier.

REMARQUE : avant le nettoyage, vous devez retirer le coussin intérieur en mousse.

2. Lavez en machine à 60 °C, sur cycle délicat (consultez les instructions sur l'étiquette).

i IMPORTANT ! Un lavage à une température supérieure peut faire rétrécir la housse

3. Étendre la housse pour séchage, dans un environnement propre ;

ou

Sécher en machine à faible température.

i IMPORTANT !

- La température de séchage en sèche-linge ne doit pas dépasser 40 °C
- Le séchage en machine NE doit PAS dépasser 10 minutes
- Sécher soigneusement avant de replacer sur la mousse
- Repassage interdit
- Nettoyage à sec interdit

5.2 Maintenance et inspection :

Une fois par mois : inspecter visuellement les pièces, y compris le matériel, les fixations, les toiles, les mousses et les plastiques pour détecter toute déformation, corrosion, usure ou compression.

! AVERTISSEMENT ! Risque de blessures ou de dommages matériels

Inspectez TOUTES les fixations chaque semaine pour vérifier que les connexions mécaniques et le matériel de fixation sont correctement serrés. N'utilisez PLUS le coussin si vous remarquez des problèmes. Des mesures correctives peuvent être mises en œuvre ou organisées par le fournisseur.

6.0 OPTIONS DU MX2

6.1 Installation/réglage du support lombaire (en option)

! NOTEZ

Le **support lombaire** est un insert en mousse pré-fabriquée qui maintient le bas du dos pour davantage de confort. La position de l'insert lombaire peut être ajustée à l'intérieur de la housse du MX2 Invacare® MatrX® (voir *instructions ci-dessous*). L'insert peut également être retiré si aucun support lombaire n'est nécessaire.

1. Pour accéder au support lombaire, ouvrez les bandes de fixation velcro sur la housse extérieure A au bas de la partie arrière de la coquille du dossier.
2. Le support lombaire en mousse B se trouve à l'intérieur de la housse du MX2 Invacare® MatrX®, entre le coussin de dossier en mousse C et la coquille de dossier D.
3. Le support lombaire peut être ajusté dans toutes les positions/hauteurs souhaitées.
4. Réinstallez la housse (via les bandes velcro) sur le panneau arrière.

Support lombaire



***REMARQUE** : la mousse lombaire peut être coupée/modifiée pour répondre aux besoins de l'utilisateur final.



Ajustez la position lombaire en fonction des besoins ou retirez complètement le support

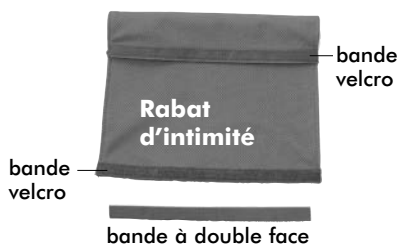
6.0 OPTIONS DU MX2

6.2 Rabat d'intimité (en option) (vendu séparément)

Des rabats d'intimité sont disponibles (vendus séparément) pour tous les dossiers MX2 de tailles standard. Tous les dossiers de taille standard sont munis d'une bande à boucles pré cousue au bas de la face arrière de la toile de coussin, destinée à l'installation du rabat d'intimité.

Reportez-vous au tableau pour connaître les dimensions appropriées du rabat d'intimité pour le dossier MX2 :

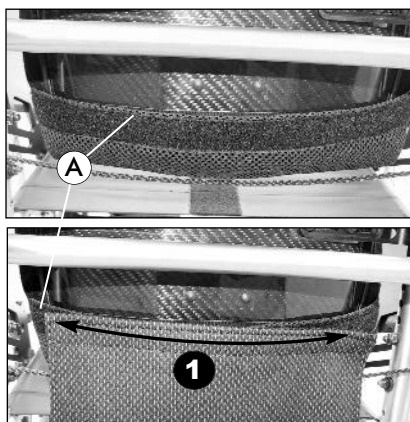
LARGEUR	RABAT D'INTIMITÉ
14 pouces (36 cm)	PFLAP-XS 10" x 16" (26 cm x 41 cm)
15 pouces (38 cm)	PFLAP-S 13" x 16" (33 cm x 41 cm)
16 pouces (41 cm)	PFLAP-M 15" x 16" (38 cm x 41 cm)
17 pouces (43 cm)	
18 pouces (46 cm)	



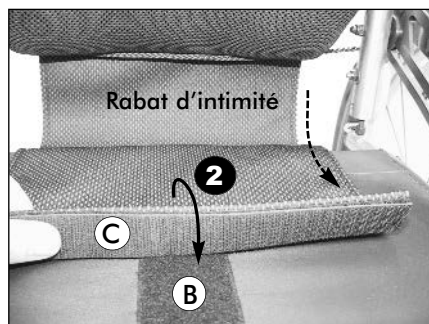
Instructions d'installation :

- Retirez le coussin d'assise du fauteuil roulant (le cas échéant).
- Assurez-vous que le dossier est réglé à la hauteur souhaitée. (reportez-vous à la **Section 4.0, Figure 8.**)
- En vous tenant derrière le fauteuil roulant (et tourné vers l'avant), alignez/fixez la bande velcro du rabat d'intimité sur la bande velcro cousue au bas de la partie arrière de la housse de dossier MX2 (**A**). (voir l'Étape **1** ci-dessous).
- Tirez sur l'autre côté (non fixé) du rabat d'intimité en le faisant passer par l'espace entre la partie basse de la coquille du dossier et l'assise du fauteuil roulant.
- Fixez la bande velcro située sur le rabat d'intimité à la bande velcro pré-existante* (**B**) sur l'assise à sangle ou le plateau d'assise du fauteuil roulant. (voir l'Étape **2** ci-dessous).

***REMARQUE :** si l'assise du fauteuil roulant comporte une bande velcro, fixez le rabat d'intimité à l'aide de la bande à double face (**C**) fournie.



VUE ARRIÈRE



VUE AVANT

matrix[®]
SEATING SERIES



Matrix

MX2-Rückenlehne

für **FEST MONTIERTE** Befestigungsteile und
FLEXIBEL MONTIERTE Befestigungsteile

MONTAGE/EINSTELLUNG

i WICHTIG! Die in diesem Handbuch beschriebenen Montageanweisungen dürfen nur von einem qualifizierten Techniker vorgenommen werden.

HÄNDLER: Dieses Handbuch MUSS dem Benutzer des Produkts ausgehändigt werden.

BENUTZER: Lesen Sie dieses Handbuch vor der Verwendung dieses Produkts sorgfältig durch und bewahren Sie es für später auf.



TRD0439 Rev. B

GARANTIE

BITTE BEACHTEN: DIE NACHSTEHENDE GARANTIE WURDE IM EINKLANG MIT DEM BUNDESGESETZ FÜR PRODUKTE AUFGESTELLT, DIE NACH DEM 4. JULI 1975 GEFERTIGT WURDEN.

Diese Garantie gilt nur für den ursprünglichen Käufer/Benutzer unserer Produkte. Mit dieser Garantie erhalten Sie bestimmte Rechte, und Ihnen können außerdem weitere Rechte zustehen, die von Bundesstaat zu Bundesstaat unterschiedlich sind. Invacare/Motion Concepts garantiert dem ursprünglichen Käufer für einen Verwendungszeitraum von zwei Jahren, dass dieses Produkt keine Material- und Verarbeitungsfehler aufweist. Von der Garantie ausgenommen sind Löcher, Risse und Brandschäden sowie Beschädigungen abnehmbarer Bezüge. Wenn sich innerhalb des Garantiezeitraums nachweislich herausstellt, dass ein Produkt beschädigt ist, wird es von Invacare/Motion Concepts unter Verwendung instandgesetzter oder neuer Teile repariert oder ersetzt. Diese Garantie schließt keine Kosten für Arbeit oder Versand ein, die durch die Montage von Ersatzteilen oder die Reparatur des Produkts anfallen. Die Garantie auf Produktreparaturen gilt ausschließlich innerhalb des Gültigkeitszeitraums dieser eingeschränkten Garantie. Die Verpflichtungen von Invacare/Motion Concepts sowie Ihre rechtlichen Ansprüche im Rahmen dieser Garantie sind auf solche Reparatur- und/oder Ersatzleistungen beschränkt. Um Garantieservice zu erhalten, wenden Sie sich an den Händler, von dem Sie das Invacare/Motion Concepts-Produkt erworben haben. Sollten Sie keinen zufriedenstellenden Garantieservice erhalten, wenden Sie sich bitte schriftlich unter der Adresse auf dem hinteren Einband direkt an Invacare/Motion Concepts. Geben Sie dabei den Namen und die Anschrift des Händlers, die Modellnummer, das Kaufdatum, die Art des Schadens und (sofern das Produkt in Serie hergestellt wird) die Seriennummer an. Invacare Corporation/Motion Concepts stellt daraufhin eine Rückgabeberechtigung aus. Das defekte Gerät oder die defekten Teile müssen innerhalb von dreißig (30) Tagen nach dem Datum der Rückgabegenehmigung unter Angabe der Seriennummer (sofern zutreffend) für eine Garantieuntersuchung zurückgegeben werden. Senden Sie KEINE Produkte ohne unsere vorherige Zustimmung an unser Werk zurück. Sendungen per Nachnahme werden abgelehnt. Bitte entrichten Sie die Versandkosten im Voraus.

EINSCHRÄNKUNGEN UND AUSSCHLÜSSE: DIE GARANTIE IST NICHT GÜLTIG FÜR PROBLEME, DIE DURCH NORMALE ABNUTZUNG ODER DIE NICHTEINHALTUNG DER BEIGEFÜGTEN ANLEITUNG ENTSTEHEN. DARÜBER HINAUS IST DIE VORANGEHENDE GARANTIE NICHT GÜLTIG FÜR IN SERIE HERGESTELLTE PRODUKTE, WENN DIE SERIENUMMER ENTFERNT ODER ENTSTELLT WURDE, PRODUKTE, DIE FAHRLÄSSIGKEIT, UNFÄLLEN, UNGEEIGNETER BEDIENUNG, WARTUNG ODER LAGERUNG AUSGESETZT WURDEN, SOWIE PRODUKTE, DIE OHNE DIE AUSDRÜCKLICHE SCHRIFTLICHE GENEHMIGUNG VON INVACARE/MOTION CONCEPTS VERÄNDERT WURDEN, EINSCHLIESSLICH, ABER NICHT BESCHRÄNKT AUF: VERÄNDERUNGEN DURCH DIE NUTZUNG NICHT AUTORISierter TEILE ODER ZUSÄTZE: PRODUKTE, DIE DURCH REPARATUREN AN KOMPONENTEN OHNE DIE SPEZIFISCHE ZUSTIMMUNG VON INVACARE/MOTION CONCEPTS BESCHÄDIGT WURDEN; PRODUKTE, DIE DURCH UMSTÄNDE AUSSERHALB DER KONTROLLE VON INVACARE/MOTION CONCEPTS BESCHÄDIGT WURDEN; PRODUKTE, DIE VON ANDEREN PERSONEN ALS INVACARE/MOTION CONCEPTS-HÄNDLERN REPARIERT WURDEN, WOBEI DIE ENTSPRECHENDE FESTLEGUNG IM ALLEINIGEN ERMESSEN VON INVACARE/MOTION CONCEPTS ERFOLGT. VORANGEHENDE GARANTIE IST DIE ALLEINIGE GARANTIE UND HAT VORRANG VOR ALLEN ANDEREN GARANTIEN, EINSCHLIESSLICH, SOFERN ZUTREFFEND, DER KONKLUDENTEN GARANTIE DER MARKTTAUGLICHKEIT UND DER EIGNUNG FÜR EINEN BESTIMMTEN ZWECK. SIE ERSTRECKT SICH NICHT ÜBER DIE HIER GENANNT DAUER DER AUSDRÜCKLICHEN GARANTIE HINAUS, UND DIE BEHELFSSMASSNAHMEN FÜR VERLETZUNGEN VON KONKLUDENTEN GARANTIEN SIND AUF DIE REPARATUR ODER DEN ERSATZ DES DEFEKTEN PRODUKTS GEMÄSS DEN HIER GENANNTEN BEDINGUNGEN BESCHRÄNKT. INVACARE/MOTION CONCEPTS IST NICHT FÜR FOLGE- ODER ZUFÄLLIGE SCHÄDEN JEDWEDER ART HAFTBAR. DIESE GARANTIE WIRD GEMÄSS DEN GESETZEN UND ANFORDERUNGEN DER JEWEILIGEN BUNDESSTAATEN UND PROVINZEN ERWEITERT.

Dieses Handbuch darf ohne vorherige schriftliche Zustimmung von Motion Concepts oder seinen gesetzlichen Vertretern weder vollständig noch teilweise vervielfältigt oder nachgedruckt werden.


Diese Gebrauchsanweisung wurde anhand der zum Zeitpunkt der Veröffentlichung verfügbaren neuesten Spezifikationen und Produktinformationen erstellt. Wir behalten uns das Recht vor, etwaige notwendig gewordene Änderungen vorzunehmen. Jegliche an unseren Produkten vorgenommene Änderungen können zu leichten Abweichungen zwischen den in diesem Handbuch vorhandenen Abbildungen und Erläuterungen und dem von Ihnen erworbenen Produkt führen. Wenn Sie Fragen zu den in diesem Handbuch bereitgestellten Informationen haben, wenden Sie sich bitte an unseren Kundendienst, um Unterstützung zu erhalten.


Inhaltsverzeichnis


- 1.0 Allgemeine Warnhinweise
- 2.0 Sicherheitsinformationen
- 3.0 MX2-Montage/Justierung – **fest montiert**
- 4.0 MX2-Montage/Justierung – **flexibel montiert**
- 5.0 Anweisungen zur Pflege und Instandhaltung
- 6.0 MX2-Optionen

SICHERHEITSSYMBOLE:

Die ordnungsgemäße Montage und die sichere Verwendung der Invacare Matrix MX2-Rückenlehne hängt von Ihrem guten Urteilsvermögen und gesunden Menschenverstand sowie der Ihres Händlers, Ihrer Pflegeperson und/oder Ihres Mediziners ab. Die folgenden Symbole weisen in dieser Gebrauchsanweisung auf Warnungen, Sicherheitshinweise und wichtige Informationen hin. Es ist äußerst wichtig, dass Sie diese vollständig gelesen und verstanden haben.

 **VORSICHT!** Wenn die Sicherheitshinweise in diesem Handbuch nicht befolgt werden, kann dies zu einer Beschädigung des Matrix-Sitzes führen.

 **WARNUNG!** Eine Nichtbeachtung der Warnungen in diesem Handbuch kann Verletzungen zur Folge haben.

 **WICHTIG!** Wichtige Hinweise, die während der Montage und Einstellung Ihres Matrix-Sitzes zu beachten sind.

 **Wichtig!** Weitere Warn- und Sicherheitshinweise zum Betrieb des Rollstuhls finden Sie im Handbuch des Rollstuhlbenutzers/-bedieners.

1.0 ALLGEMEINE WARNHINWEISE/INFORMATIONEN

1.1 Übersicht

⚠️ WARNUNG FÜR DEN BENUTZER!

VERWENDEN SIE DIESES PRODUKT ODER MÖGLICHERWEISE VORHANDENES ZUBEHÖR ERST, NACHDEM SIE DIESE ANWEISUNGEN UND MÖGLICHES ZUSÄTZLICHES ANWEISUNGSMATERIAL, WIE ZU DEM PRODUKT ODER DEM MÖGLICHEN ZUBEHÖR GEHÖRENDE BENUTZERHANDBÜCHER, SERVICEHANDBÜCHER ODER MERKBLÄTTER, VOLLSTÄNDIG GELESEN UND VERSTANDEN HABEN. FALLS DIE WARNUNGEN, SICHERHEITSHINWEISE UND ANWEISUNGEN UNVERSTÄNDLICH SIND, WENDEN SIE SICH BITTE AN DEN ZUSTÄNDIGEN HÄNDLER ODER DIREKT AN DEN TECHNISCHEN KUNDENDIENST VON INVACARE, BEVOR SIE DIE AUSTRÜSTUNG VERWENDEN. ANDERNFALLS KANN ES ZU VERLETZUNGEN UND SACHSCHÄDEN KOMMEN.

📄 WICHTIGE INFORMATIONEN

Um Problemen durch Druckstellen vorbeugen zu können, sollten Sie sich über deren Ursachen sowie über die Bedeutung einer sorgfältigen Hautpflege informieren. Konsultieren Sie Ihren Arzt oder Therapeuten, wenn Sie Fragen zu bestimmten Einschränkungen und Anforderungen haben.

Alle Rückenpolster müssen sorgfältig ausgewählt werden. Wählen Sie zusammen mit Ihrem Arzt oder Therapeuten die auf Ihre individuellen Bedürfnisse abgestimmten Rückenpolster aus. Mit zunehmender Komplexität der Wünsche und Bedürfnisse der Benutzer wird auch die Entwicklung immer wichtiger.

Invacare® MatrX® MX2-Rückenlehnen

Die Invacare® MatrX® MX2-Rückenlehne ist auf eine optimale Sitzposition und Stützung des Körpers im Rollstuhl ausgelegt. Die extra große Schaumpolsterung bietet höchsten Komfort und Schutz.

Die Invacare® MatrX® MX2-Rückenlehne ist mit einer herausnehmbaren Lendenwirbelstütze ausgestattet, die für eine noch bessere Positionierung hinter dem Formschaumteil angebracht werden kann. Weitere Informationen können Sie dem **Abschnitt 6.0 – Lumbalstütze** entnehmen.

Der Bezug besteht aus einem atmungsaktiven Netzmaterial, das für zusätzliche Haltbarkeit mit Kunstleder kombiniert wird. Eine regelmäßige Reinigung und Untersuchung des Bezugs wird empfohlen. Weitere Informationen finden Sie in **Abschnitt 5.0 – Pflege und Instandhaltung**.

1.2 Verschleißteile

📄 WICHTIG! Die Teile und Komponenten dieses Produkts, die normalem Verschleiß unterliegen, sind (ohne Anspruch auf Vollständigkeit) nachstehend aufgelistet: sämtliche Polster, einschließlich Rückenpolster und -kissen.

Invacare behält sich das Recht vor, jede Komponente mit einem vermeintlichen Verarbeitungsfehler zurückzunehmen. Weitere bestimmte Garantiefinformationen finden Sie unter **Garantiebedingungen** (Rückseite).

Informationen zu einem geeigneten Plan zur vorbeugenden Wartung und zur ordnungsgemäßen Verwendung des Produkts finden Sie in dieser Gebrauchsanweisung. Hierbei handelt es sich lediglich um eine allgemeine Richtlinie. Durch Missbrauch und falsche Verwendung entstandene Schäden sind nicht enthalten. Die Nutzungsdauer hängt von vielen Faktoren ab.

1.3 Verwendungszweck

Unsere Invacare® MatrX® MX2-Rückenlehnen sind auf eine optimale Sitzposition und Stützung des Körpers im Rollstuhl ausgelegt.

2.0 SICHERHEITSINFORMATIONEN

2.1 Warnungen zum Transport!

⚠️ WARNUNG!

Risiko schwerer Verletzungen, wenn der Benutzer in einem Rollstuhl mit einer Invacare® MatrX® MX2-Rückenlehne in einem Fahrzeug transportiert wird.

- Laut Empfehlungen von Invacare sollte der Benutzer, sofern möglich, aus dem Rollstuhl in einen Fahrzeugsitz umgesetzt und mit einem Dreipunktgurt angegurtet werden.
- Invacare® MatrX® MX2-Rückenlehnen dürfen ausschließlich in Verbindung mit Rollstühlen verwendet werden, die den Anforderungen der Normen RESNA WC19 oder ISO 7176-19 entsprechen.
- Anweisungen zum sicheren Transport des besetzten Rollstuhls in einem Kraftfahrzeug finden Sie in den Gebrauchsanweisungen des Rollstuhls und des Insassenrückhaltesystems (WTORS).

2.2 Allgemeine Sicherheitshinweise

⚠️ WARNUNG! Gefahr von tödlichen bzw. schweren Verletzungen oder Sachschäden

Die unsachgemäße Verwendung dieses Produkts kann zu Verletzungen oder Sachschäden führen. Falls die Warnungen, Sicherheitshinweise und Anweisungen unverständlich sind, wenden Sie sich an einen Arzt oder Vertragshändler, bevor Sie dieses Produkt verwenden. Verwenden Sie dieses Produkt und eventuell vorhandenes Zubehör ERST, nachdem Sie diese Anweisungen sowie eventuell zusätzliche Anweisungen – wie zum Produkt oder möglicherweise vorhandenem Zubehör gehörende Gebrauchsanweisungen, Servicehandbücher oder Merkblätter – vollständig gelesen und verstanden haben.

⚠️ WARNUNG! Gefahr von tödlichen bzw. schweren Verletzungen oder Sachschäden

Brennende Zigaretten, die auf ein gepolstertes Sitzsystem herunterfallen, können einen Brand verursachen, der zu tödlichen bzw. schweren Verletzungen oder Sachschäden führen kann. Rollstuhlbenutzer sind bei derartigen Bränden und der resultierenden Rauchentwicklung ganz besonders der Gefahr von tödlichen oder schweren Verletzungen ausgesetzt, da sie möglicherweise nicht in der Lage sind, sich vom Rollstuhl zu entfernen.

- Sie dürfen NICHT RAUCHEN, während Sie diesen Rollstuhl verwenden.

⚠️ WARNUNG! Verletzungsgefahr

Die Konstruktion und die Herstellung der Invacare® MatrX®-Produkte sind so speziell, dass ausschließlich Invacare® MatrX®-Zubehör verwendet werden darf. Zubehörteile von anderen Herstellern sind nicht von Invacare getestet worden und werden für die Verwendung mit Invacare® MatrX®-Produkten nicht empfohlen.

⚠️ WARNUNG! Verletzungsgefahr

Nach der Installation eines neuen Sitzsystems sollte der Zustand der Haut häufig untersucht werden. Konsultieren Sie Ihren Arzt oder Therapeuten, wenn Sie Fragen zu bestimmten Einschränkungen und Anforderungen haben. Mit zunehmender Komplexität der Wünsche und Bedürfnisse der Benutzer wird auch die Entwicklung immer wichtiger.

2.0 SICHERHEITSINFORMATIONEN

2.3 Warnungen zur Montage

⚠️ WARNUNG! Gefahr schwerer Verletzungen

Stellen Sie bei der Einstellung der Montageposition für die Invacare® MatrX® MX2-Rückenlehne sicher, dass die Stabilität des Rollstuhls nicht beeinträchtigt wird. Die Justierung der vorderen und der hinteren Position der Rückenlehne wirkt sich auf den Schwerpunkt des Benutzers im Rollstuhl aus. Eine nach hinten geneigte Rückenstellung kann die hintere Stabilität des Rollstuhls erheblich beeinträchtigen. Dementsprechend kann eine nach vorne geneigte Rückenstellung die vordere Stabilität des Rollstuhls beeinträchtigen.

⚠️ WARNUNG! Gefahr von schweren Verletzungen oder Sachschäden

- Die in diesem Handbuch beschriebenen Verfahren sollten ausschließlich von einem qualifizierten Techniker vorgenommen werden.
- Lose Teile können die Stabilität beeinträchtigen, wodurch es zu schweren Verletzungen oder Sachschäden kommen kann.
- Nach JEDER Einstellung, Reparatur oder Wartung und vor der Verwendung muss sichergestellt werden, dass alle Teile sicher befestigt sind.
- Die Invacare® MatrX® MX2-Rückenlehnenbaugruppe NICHT am hinteren Gestänge jener Schiebegriffe befestigen, die einen Durchmesser von mehr als 25 mm (1") oder weniger als 19 mm (3/4") aufweisen. Andernfalls kann es zu Verletzungen oder Sachschäden kommen.
- Die Invacare® MatrX® MX2-Rückenlehne ist nicht für elektrisch verstellbare Sitzanwendungen vorgesehen.
- Die Einbauposition der Invacare® MatrX® MX2-Rückenlehne beeinflusst unmittelbar die Stabilität des Rollstuhls. Vor Verwendung müssen ggf. die vorderen Schwenkräder, die Hinterräder, der Rückenlehnenwinkel, die Rückenwinkelverstellung und/oder die Sitztiefe neu eingestellt werden.
- Vor der Verwendung muss die Invacare® MatrX® MX2-Rückenlehne sicher am Rollstuhl befestigt werden. Andernfalls kann es zu Verletzungen oder Sachschäden kommen.

⚠️ WARNUNG! Gefahr von schweren Verletzungen oder Sachschäden

Die mitgelieferten Teile weisen eine hohe Festigkeit auf und sind auf ihre Haltbarkeit überprüft worden. **Teile NICHT ersetzen.** Verwenden Sie ausschließlich die MatrX MX2-Originalteile, die im Lieferumfang enthalten sind.

2.4 Größe/Tragkraft der Rückenlehnen:

KONFIGURIERTES MODELL	BESCHREIBUNG	KONTURTIEFE	TRAGKRAFT
IMX2wwhh	Matrx MX2-Rückenlehne	76 mm (3 in.)	113 kg (250 lbs)

* ww hh = Breite/Höhe

Verfügbare Größen: Breite: 355 mm – 460 mm (14" - 18");

Höhe: 150 mm (6"), 230 mm (9"), 310 mm (12"), 410 mm (16")

Wenden Sie sich an Ihren Händler oder Therapeuten, um das entsprechende Rückenlehnenmodell/die entsprechende Größe der Rückenlehne für Ihre individuellen Ansprüche zu bestimmen. Weitere Informationen zu unserer jeweiligen MatrX-Rückenlehne, einschließlich aller verfügbaren Modelle/Größen, erhalten Sie unter www.motionconcepts.com oder www.invacare.com.

3.0 MX2-RÜCKENLEHNE – FESTE MONTAGE

3.1 Montagesatz mit Befestigungsteilen für feste Montage

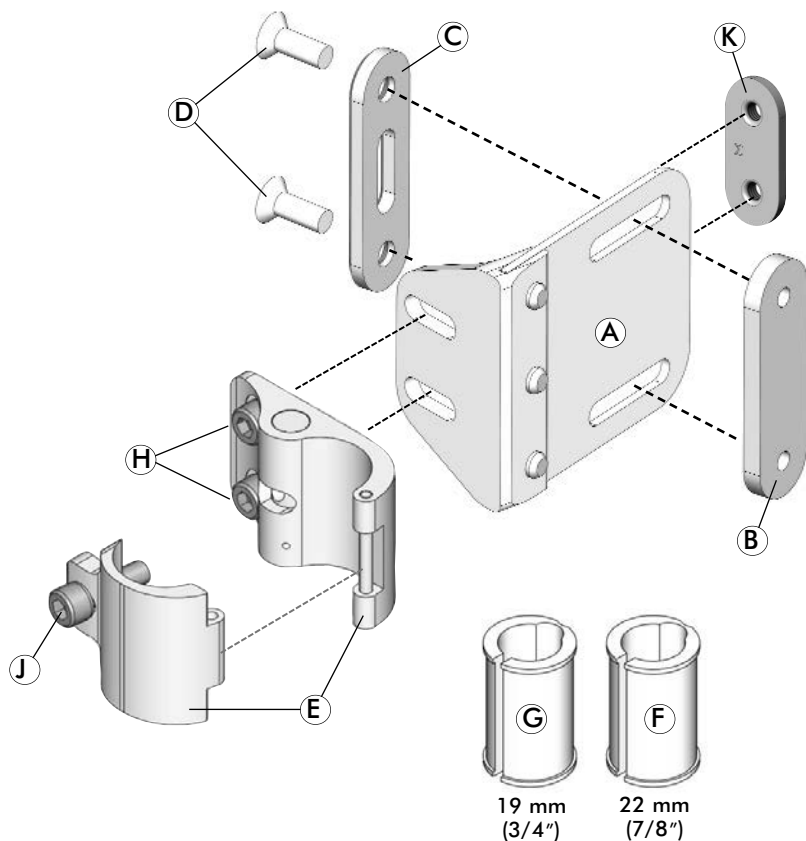
i) Baugruppe der Montagehalterung (wird an der MX2-Rückenschale angebracht):

- 2 – Fest montierte Montagehalterungen (A) 2 – Unterlegscheiben für fest montierte Halterung (C)
2 – Mutterplatten für fest montierte Halterung (B) 4 – Schrauben für fest montierte Halterung (D)

ii) Klemmenbaugruppe für Gestänge (wird an den hinteren Rahmenrohren des Rollstuhls angebracht):

- 2 – Klemme für Gestänge (E) 4 – Schrauben für Tiefen-/Rückenwinkelverstellung (H)
2 – Einsatz für Gestänge 22 mm (7/8") (F) 2 – Klemmschrauben für Gestänge (J)
2 – Einsatz für Gestänge 19 mm (3/4") (G) 2 – Befestigungsmuttern und -platten für Gestänge (K)

(rechtsseitige Teilebaugruppe ist abgebildet)



3.0 MX2-RÜCKENLEHNE – FESTE MONTAGE

3.2 Benötigte Werkzeuge

Inbusschlüssel, 4 mm/5 mm (im Lieferumfang enthalten)

Metermaß/Lineal

! BITTE BEACHTEN

Sollte eins der im Lieferumfang enthaltenen Montageteile fehlen oder nicht in einwandfreiem Zustand sein, wenden Sie sich an Ihren zuständigen Vertreter von Invacare/Motion Concepts, um die erforderlichen Ersatzteile zu erhalten.

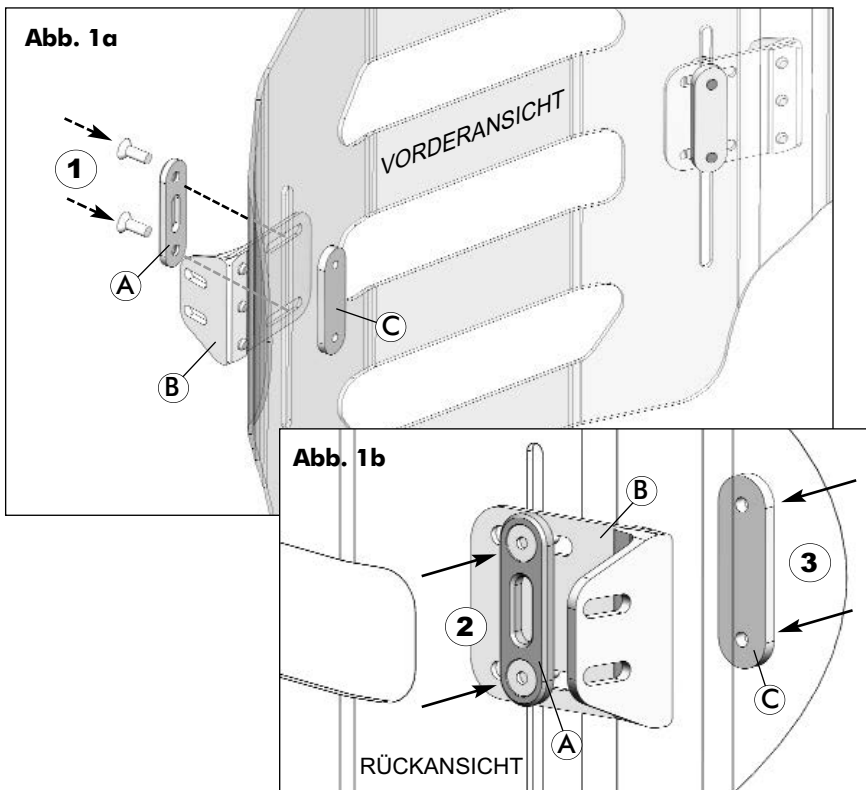
3.3 Anbringen der fest montierten MX2-Montagehalterung:

i HINWEIS: Vor dem Anbringen der fest montierten Montagehalterungen Entfernen oder lösen Sie vorsichtig den MX2-Bezug, indem Sie den Klettverschluss entlang der unteren Seite und innerhalb der Rückenschale lösen.

- 1 Arbeiten Sie auf einer Seite der Rückenschale und bringen Sie die fest montierte Montagehalterung wie folgt an der Invacare® Matrix® MX2-Rückenlehne an:
 - Richten Sie die Unterlegscheibe (A) mit den Schlitzen in der fest montierten Montagehalterung (B) aus und setzen Sie die Schrauben durch beide Bauteile (1) ein (siehe Abb. 1a).
 - Setzen Sie von der Rückseite der Rückenschale aus die 2 hervorstehenden Schrauben der Montagehalterung durch den vertikalen Schlitz in der MX2-Rückenschale (2) ein (siehe Abb. 1b).
 - Um die Montagehalterung an der MX2-Rückenschale zu befestigen, setzen Sie die Schrauben in die Mutternplatte (C) auf der Vorderseite (Innenseite) der Rückenschale (3) ein (siehe Abb. 1b).
- 2 Bringen Sie die andere fest montierte Montagehalterung an der gegenüberliegenden Seite der Rückenschale an (siehe Schritt 1 oben).

3.0 MX2-RÜCKENLEHNE – FESTE MONTAGE

Anbringen der fest montierten Montagehalterung



3.4 Vor der Montage: Ausrichtung der Klemme für das MX2-Gestänge:

i WICHTIG! Vor dem Anbringen der Klemmen für das MX2-Gestänge muss zuerst die Ausrichtung der Klemmen ermittelt werden.

Bei einer **Standardkonfiguration** werden die Klemmen für Gestänge (A) an den hinteren Rahmenrohren in der *hintersten* Ausrichtung angebracht und befestigt. Mit dieser Konfiguration wird die verfügbare Sitztiefe des Rollstuhles vergrößert (siehe **Abb. 2a**).

Bei einer **umgekehrten Konfiguration*** werden die Klemmen für Gestänge (A) an den hinteren Rahmenrohren um 180° gedreht. Mit dieser Konfiguration wird die verfügbare Sitztiefe verkleinert und die MX2-Rückenlehne ggf. in eine stärkere *Vorwärtsposition* eingestellt (siehe **Abb. 2b**).

Je nach der ausgewählten Montagekonfiguration ermöglichen die Klemmen für Gestänge (A) eine Längsverstellung um **38 mm (1,5")** (abhängig vom hinteren Rahmenrohr).

3.0 MX2-RÜCKENLEHNE – FESTE MONTAGE

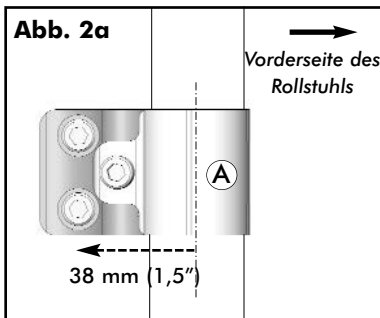
3.4 Vor der Montage: Ausrichtung der Klemme für das MX2-Gestänge: Fortsetzung

⚠️ WARNUNG! Gefahr schwerer Verletzungen

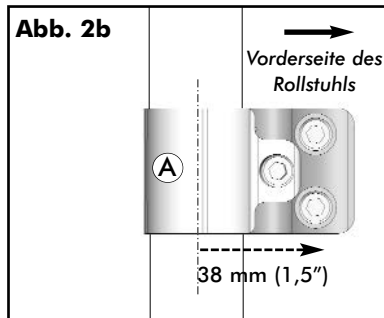
Stellen Sie bei der Bestimmung der endgültigen Montageposition für die Invacare® Matrix® MX2-Rückenlehne sicher, dass die Stabilität des Rollstuhls nicht beeinträchtigt wird.

Die Justierung der vorderen und der hinteren Position der Rückenlehne wirkt sich auf den Schwerpunkt des Benutzers im Rollstuhl aus. Eine nach hinten geneigte Rückenstellung kann die hintere Stabilität des Rollstuhls erheblich beeinträchtigen. Dementsprechend kann eine nach vorne geneigte Rückenstellung die vordere Stabilität des Rollstuhls beeinträchtigen.

Ausrichtung der Klemme für das MX2-Gestänge



**Standardkonfiguration –
Klemme für Gestänge**
(maximale Sitztiefe)



**Umgekehrte Konfiguration –
Klemme für Gestänge**
(minimale Sitztiefe)

3.5 Anbringen der Klemmen für das MX2-Gestänge:

Die Klemmen für das MX2-Gestänge sind so konzipiert, dass eine Anbringung am hinteren Rahmenrohr mit einem Durchmesser von 25 mm (1"), 22 mm (7/8") und 19 mm (3/4") möglich ist. (Kunststoffeinsätze (A) sind für hintere Rahmenrohre mit kleineren Durchmessern erhältlich*.)

- 1 Entfernen Sie die Rückenlehne des Rollstuhls (sofern vorhanden).
- 2 Bringen Sie die Klemmenbaugruppe für Gestänge (B) lose am jeweiligen hinteren Rahmenrohr in der gewünschten Ausrichtung an (eine Montageübersicht ist **Abb. 3** und **Abb. 4** zu entnehmen).

*Anpassen der Größe unterschiedlich langer hinterer Rahmenrohre:

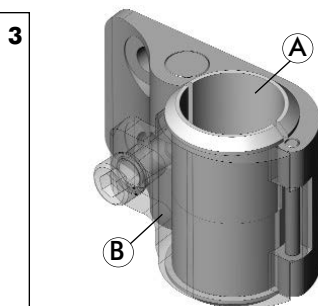
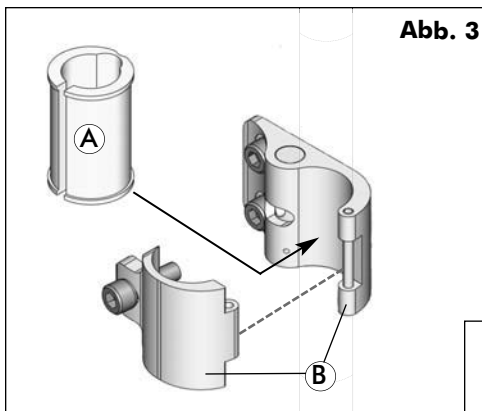
25-mm-Gestänge (1") – Keine Kunststoffeinsätze erforderlich

22-mm-Gestänge (7/8") – 22-mm-Kunststoffeinsätze (7/8") anbringen (x2)

19-mm-Gestänge (3/4") – 19-mm-Kunststoffeinsätze (3/4") anbringen (x2)

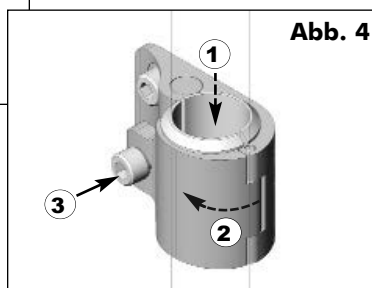
3.0 MX2-RÜCKENLEHNE – FESTE MONTAGE

Anbringen der Klemme für das MX2-Gestänge



NÜTZLICHER HINWEIS

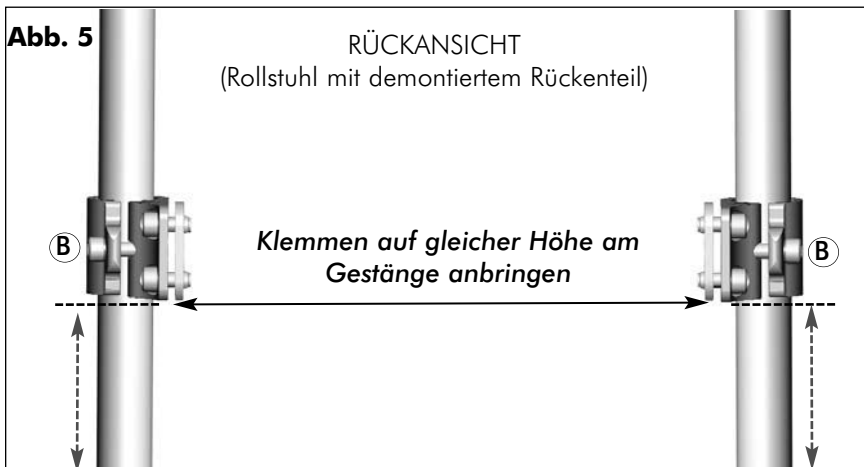
Sprühen Sie eine kleine Menge Haarspray auf die hinteren Rahmenrohre und die Innenseite der Kunststoffeinsätze für eine sichere rutschfeste Bindung.



- 3 Beginnen Sie auf einer Seite, schieben/justieren Sie die Klemmenbaugruppe (B) entlang des hinteren Rahmenrohrs auf die gewünschte Höhe/Position und ziehen Sie sie fest.

Hinweis: Die endgültige Höhe der Rückenlehne kann nach der Montage der MX2-Rückenschale an den Klemmen für Gestänge weiter justiert/genauer eingestellt werden (siehe Abb. 5).

Höhenverstellung der MX2-Klemme für Gestänge



3.0 MX2-RÜCKENLEHNE – FESTE MONTAGE

3.5 Anbringen der Klemmen für das MX2-Gestänge:

(... Fortsetzung)

- 4 Messen Sie von einem festen Punkt auf dem Rollstuhl (z. B. Sitzrahmen/Querstrebe) aus die Höhe der ersten Klemme (B) und befestigen Sie die zweite Klemme für Gestänge (B) auf der gleichen Höhe am gegenüberliegenden hinteren Rahmenrohr (siehe Abb. 5).

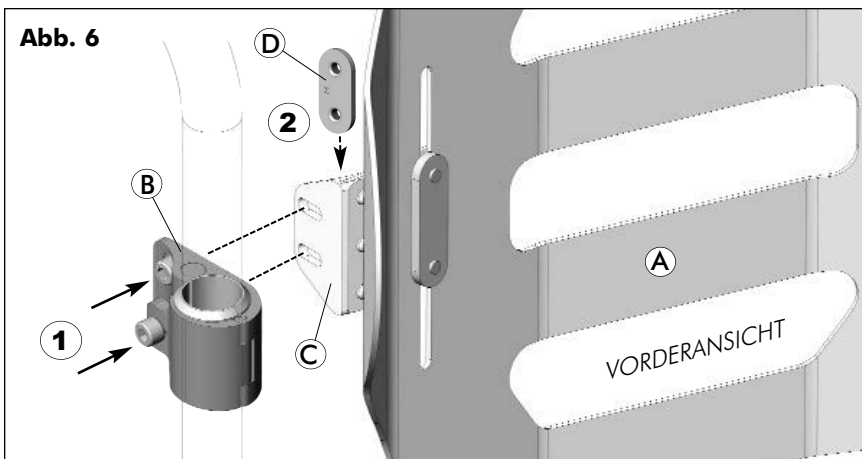
Hinweis: Vergewissern Sie sich, dass die Gestängeklemmen parallel zueinander montiert sind.

3.6 Montage der MX2-Rückenlehne an fest montierten Gestängeklemmen:

- 1 Arbeiten Sie auf einer Seite der Rückenschale und bringen Sie die Matrix MX2-Rückenlehne (A) an den Gestängeklemmen an* (siehe Abb. 6):
 - Richten Sie die 2 Befestigungsschrauben in der Klemmenbaugruppe für Gestänge (B) mit den entsprechenden Schlitz in der fest montierten MX2-Montagehalterung (C) (1) aus.
 - Befestigen Sie die Klemmenbaugruppe mit der im Lieferumfang enthaltenen Gewindemutterplatte (D) (2) an der MX2-Montagehalterung.
 - Wiederholen Sie die Schritte (1) und (2), um die MX2-Rückenschale am gegenüberliegenden hinteren Rahmenrohr zu befestigen.

* **HINWEIS:** Vor der Montage der Matrix MX2-Rückenlehne an den Gestängeklemmen müssen die fest montierten Montagehalterungen leicht gelöst werden, um die Ausrichtung und Montage der Rückenschale zu erleichtern. Weitere detaillierte Anweisungen zur Breiten-/Höhenverstellung finden Sie in Abschnitt 3.7 (Abb. 8).

Montage der MX2-Rückenlehne: FEST MONTIERTE Befestigungsteile



3.0 MX2-RÜCKENLEHNE – FESTE MONTAGE

3.7 Verstellungen der fest montierten MX2-Rückenlehne:

i WICHTIG! Die fest montierten MX2-Montagehalterungen werden an hinteren Rahmenrohren angebracht, die bis zu **25 mm (1") breiter oder 25 mm (1") enger** als die Nennbreite der Rückenlehne sind. Bei einer Standardkonfiguration muss die MX2-Rückenlehne symmetrisch (zentriert) zwischen den hinteren Rahmenrohren montiert werden.

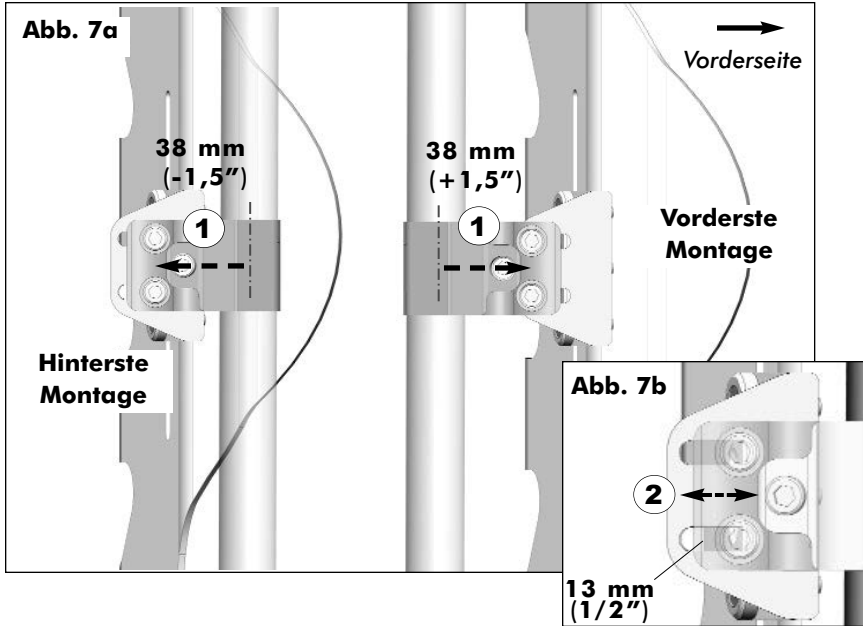
i WICHTIG! Um die optimalen Tiefen-/Höhen-/Winkelkonfigurationen der Rückenlehne bestimmen zu können, sollte der Benutzer während der Einstellung im Rollstuhl sitzen.

- 1 Wenn die MX2-Rückenschale am Rollstuhl (Gestängeklemmen) montiert wurde, können die endgültige Tiefe/Höhe/Breite und der endgültige Winkel der MX2-Rückenlehne weiter an die Anforderungen des Endbenutzers angepasst werden:
 - i. **Tiefeneinstellung:** Die Tiefe der MX2-Rückenlehne (abhängig von den hinteren Rahmenrohren) kann über zwei individuelle Justierungen eingestellt werden:
Ausrichtung der Klemme für das MX2-Gestänge: (siehe auch **Abschnitt 3.4**)
Durch die Ausrichtung der Klemmen für das MX2-Gestänge (vorderste oder hinterste Montage) wird die Rückenschale (**38 mm (+/-1,5")**) in Bezug auf die hinteren Rahmenrohre (**1**) positioniert. Siehe **Abb. 7a**.
Der maximale vordere und hintere Tiefeneinstellungsbereich für die fest montierten MX2-Befestigungsteile beträgt **76 mm (3") (38 mm (+/-1,5"))**.
MX2-Befestigungsplatten:
Die Schlitzrinnen in den MX2-Befestigungsplatten ermöglichen eine Tiefeneinstellung von **13 mm (1/2") (2)** innerhalb des maximalen Einstellbereichs. Siehe **Abb. 7b**.
 - ii. **Breiten-/Höhenverstellung:** Zum Ausgleich unterschiedlicher Breiten der hinteren Rahmenrohre können Feinjustierungen der Breite über die waagerechten Schlitzlöcher in den MX2-Montagehalterungen (**1**) vorgenommen werden. Die Höhe der MX2-Rückenlehne (abhängig von den Gestängeklemmen) kann über die senkrechten Schlitzlöcher in der MX2-Rückenschale (**2**) verstellt werden. Die Länge des Schlitzloches (Höhenverstellung) ist von der Größe (Höhe) der Rückenschale abhängig. Siehe **Abb. 8a** und **8b**.
 - iii. **Winklereinstellung:** Winkelverstellungen der Rückenlehne um $\pm 15^\circ$ können vorgenommen werden, indem die Rückenschale in den Schlitzrinnen der MX2-Montagehalterungen nach vorne (**1**) oder nach hinten (**2**) gedreht wird. Siehe **Abb. 9**.
- 2 Vergewissern Sie sich, dass Komfort, Sitz und Ausrichtung der Rückenlehne des Rollstuhls für den Benutzer korrekt sind. Nehmen Sie ggf. weitere Anpassungen vor.
- 3 Ziehen Sie sämtliche Montage-/Befestigungsteile fest bzw. befestigen Sie diese und vergewissern Sie sich, dass die MX2-Montagehalterungen/Gestängeklemmen nicht verrutschen oder sich drehen können.

3.0 MX2-RÜCKENLEHNE – FESTE MONTAGE

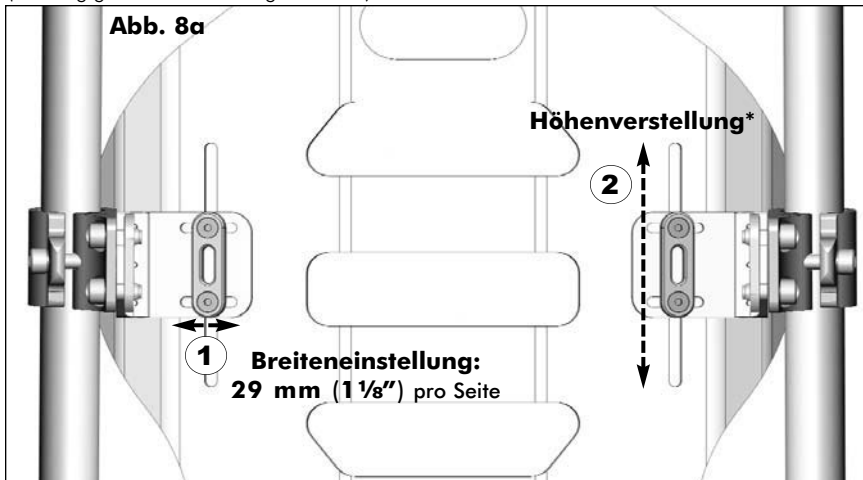
i WICHTIG! Sofern nicht anders erforderlich, müssen **sämtliche** Tiefen-, Höhen- und Winkelverstellungen an der linken und rechten Befestigungsplatte symmetrisch vorgenommen werden.

Fest montierte MX2-Halterung: Einstellung der TIEFE



Fest montierte MX2-Halterung: Einstellung der BREITE/HÖHE

(abhängig von der Gestängeklemme)



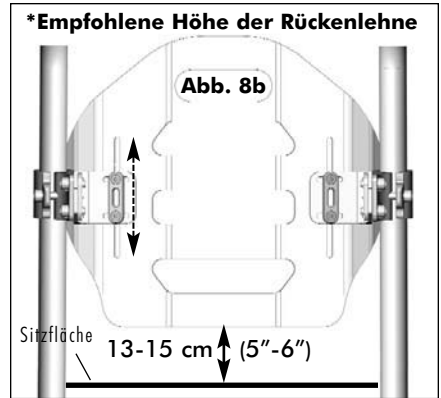
3.0 MX2-RÜCKENLEHNE – FESTE MONTAGE

* **HINWEIS:** Der Höhenverstellbereich der MX2-Rückenlehne ist von der Höhe (Schlitzlänge) an der MX2-Rückenschale abhängig. Siehe **Tabelle 1.0:**

Tabelle 1.0:
MX2-Höhenverstellung
(Schlitzverstellung)

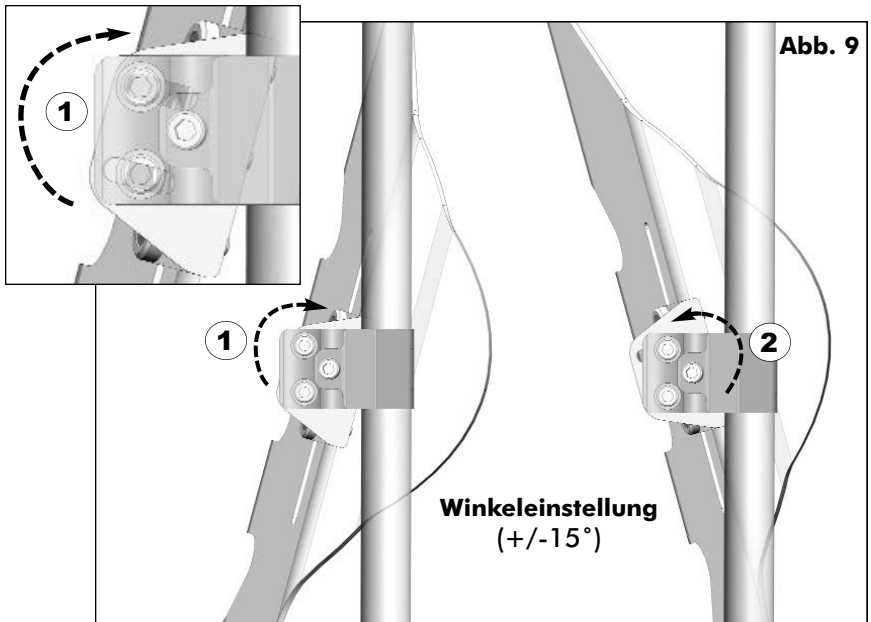
Höhe der Rückenschale	Einstellbereich
150 mm (6")	13 mm (1/2")
230 mm (9")	51 mm (2")
310 mm (12")	51 mm (2")
410 mm (16")	89 mm (3,5")

* **Hinweis:** Die empfohlene MX2-Rückenlehnenhöhe gilt nur als Richtlinie. Möglicherweise sind leicht unterschiedliche Einstellungen vorzunehmen. Siehe den Hinweis **Wichtig!** unten.



WICHTIG! Vergewissern Sie sich stets, dass die untere Seite der Rückenlehne anatomisch unter dem hinteren oberen Darmbeinstachel positioniert ist. Wenn Sie Fragen zur ordnungsgemäßen Rückenlehnenhöhe haben, wenden Sie sich an Ihren Händler und/oder Mediziner zwecks entsprechender Beratung.

Fest montierte MX2-Halterung: Einstellung des RÜCKENLEHNENWINKELS



4.0 MX2-RÜCKENLEHNE – FLEXIBLE MONTAGE

4.1 Montagesatz für flexibel montierte Befestigungsteile (Schnellverschluss):

i) Baugruppe der Montagehalterung mit Schnellverschluss (wird an der MX2- Rückenschale angebracht):

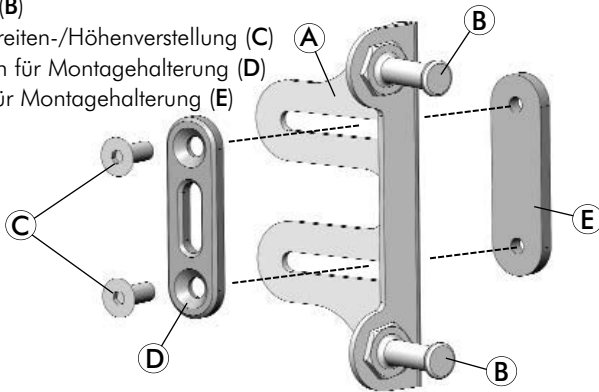
2 – MX2-Montagehalterungen mit Schnellverschluss (A)

4 – Schnelllösestifte (B)

4 – Schrauben für Breiten-/Höhenverstellung (C)

2 – Unterlegscheiben für Montagehalterung (D)

2 – Mutterplatten für Montagehalterung (E)



(rechtsseitige Baugruppe ist abgebildet)

ii) Klemmenbaugruppe für Gestänge (wird an den hinteren Rahmenrohren des Rollstuhls angebracht):

2 – Mini-Befestigungsplatten (F)

2 – Klemme für Gestänge (G)

2 – Einsatz für Gestänge 22 mm (7/8") (H)

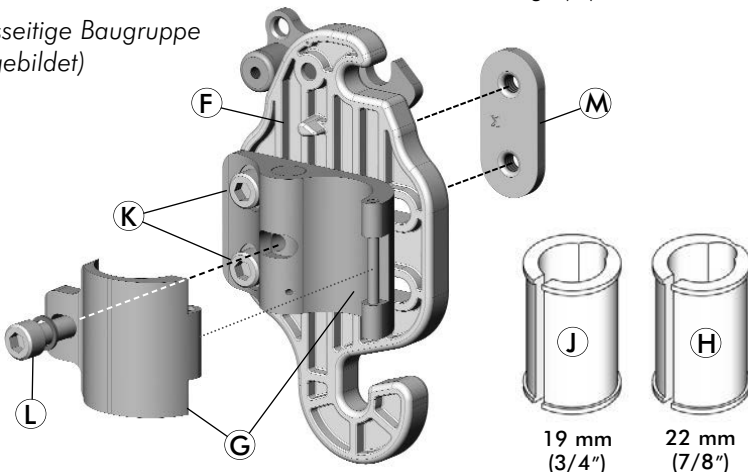
2 – Einsatz für Gestänge 19 mm (3/4") (J)

4 – Schrauben für Tiefen-/
Winklereinstellung (K)

2 – Klemmschrauben für Gestänge (L)

2 – Befestigungsmuttern und -platten
für Gestänge (M)

(rechtsseitige Baugruppe
ist abgebildet)



4.0 MX2-RÜCKENLEHNE – FLEXIBLE MONTAGE

4.2 Benötigte Werkzeuge

Inbusschlüssel, 4 mm/5 mm (im Lieferumfang enthalten)

Metermaß/Lineal

! BITTE BEACHTEN

Sollte eins der im Lieferumfang enthaltenen Montageteile fehlen oder nicht in einwandfreiem Zustand sein, wenden Sie sich an Ihren zuständigen Vertreter von Invacare/Motion Concepts, um die erforderlichen Ersatzteile zu erhalten.

4.3 Anbringen der MX2-Montagehalterung mit Schnellverschluss:

i HINWEIS: Vor dem Anbringen der Montagehalterungen mit Schnellverschluss

Entfernen Sie den MX2-Bezug vorsichtig, indem Sie den Klettverschluss entlang der oberen und unteren Seite und innerhalb der Rückenschale lösen.

- 1 Arbeiten Sie auf einer Seite der Rückenschale und bringen Sie die Montagehalterung mit Schnellverschluss (**A**) wie folgt an der Matrix MX2-Rückenschale an:
 - Richten Sie die Unterlegscheibe (**B**) mit den Schlitz in der Montagehalterung (**A**) aus und setzen Sie die Schrauben durch beide Bauteile (**1**) ein (siehe **Abb. 1a** (S. 18)).
 - Setzen Sie von der Rückseite der Rückenschale aus die 2 hervorstehenden Schrauben der Montagehalterung durch den vertikalen Schlitz in der MX2-Rückenschale (**2**) ein (siehe **Abb. 1b**).
 - Um die Montagehalterung an der MX2-Rückenschale zu befestigen, setzen Sie die Schrauben in die Mutterplatte (**D**) auf der Vorderseite (Innenseite) der Rückenschale (**3**) ein (siehe **Abb. 1b**).
- 2 Bringen Sie die andere Montagehalterung mit Schnellverschluss (**A**) an der gegenüberliegenden Seite der Rückenschale an (siehe **Schritt 1** oben).

4.0 MX2-RÜCKENLEHNE – FLEXIBLE MONTAGE

Anbringen der Montagehalterung mit Schnellverschluss

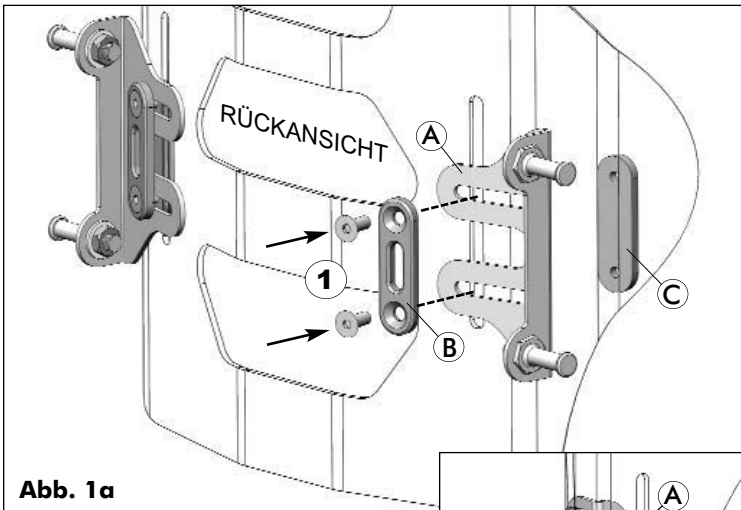


Abb. 1a

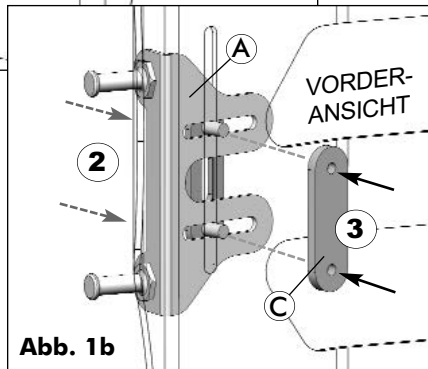


Abb. 1b



NÜTZLICHER HINWEIS

Die Montagehalterungen/Befestigungsteile mit Schnellverschluss können an der MX2-Rückenlehne locker angebracht werden, um die Ausrichtung der Halterung (Breite/Höhe) während der Montage auf den MX2-Befestigungsplatten zu erleichtern.

4.4 Vor der Montage: Ausrichtung der Klemme für das MX2-Gestänge

WICHTIG! Vor dem Anbringen der Klemmenbaugruppen für das MX2-Gestänge muss zuerst die Ausrichtung der Klemmen ermittelt werden.

WARNTUNG! Gefahr schwerer Verletzungen

Stellen Sie bei der Bestimmung der endgültigen Montageposition für die Invacare® Matrix® MX2-Rückenlehne sicher, dass die Stabilität des Rollstuhls nicht beeinträchtigt wird.

Die Justierung der vorderen und der hinteren Position der Rückenlehne wirkt sich auf den Schwerpunkt des Benutzers im Rollstuhl aus. Eine nach hinten geneigte Rückenstellung kann die hintere Stabilität des Rollstuhls erheblich beeinträchtigen. Dementsprechend kann eine nach vorne geneigte Rückenstellung die vordere Stabilität des Rollstuhls beeinträchtigen.

4.0 MX2-RÜCKENLEHNE – FLEXIBLE MONTAGE

Bei einer **Standardkonfiguration** werden die Klemmen für das MX2-Gestänge (A) und die Befestigungsplatten (B) an den hinteren Rahmenrohren in der *hintersten* Ausrichtung angebracht und befestigt. Mit dieser Konfiguration wird die verfügbare Sitztiefe des Rollstuhles vergrößert (siehe **Abb. 2**).

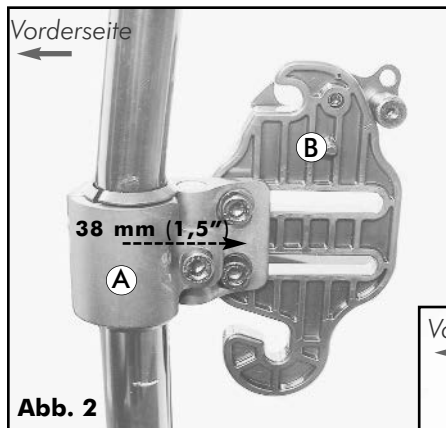
Bei einer **umgekehrten Konfiguration*** werden die Klemmen für Gestänge (A) an den hinteren Rahmenrohren um 180° gedreht. Mit dieser Konfiguration wird die verfügbare Sitztiefe verkleinert und die MX2-Rückenlehne ggf. in eine stärkere Vorwärtsposition eingestellt (siehe **Abb. 3**).

Je nach der ausgewählten Montagekonfiguration ermöglichen die Klemmen für Gestänge (A) eine Längsverstellung um **38 mm (1,5")** (abhängig vom hinteren Rahmenrohr).

Hinweis: Weitere detaillierte Anweisungen zur Tiefeneinstellung des flexibel montierten MX2-Befestigungsteils finden Sie in **Abschnitt 4.8**.

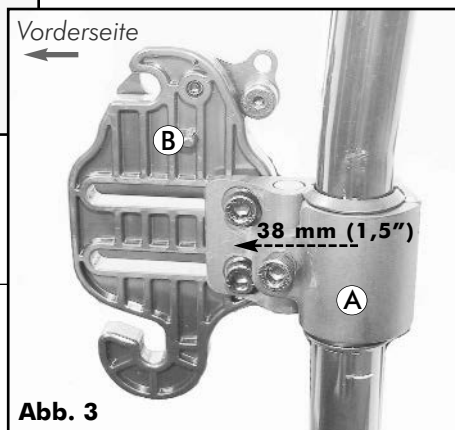
* **Umgekehrte Anbringung einer Befestigungsplatte/Klemme für die vorderste Ausrichtung:**

- 1 Lösen Sie die Befestigungsplatte (B) von der Klemme für das Gestänge (A) (2 Schrauben).
- 2 Drehen Sie die Klemme für das Gestänge (A) um 180° und bringen Sie dann die Befestigungsplatte (B) in der gleichen Ausrichtung wie in **Abb. 3** dargestellt an.



**Standardkonfiguration –
Klemme für Gestänge
(maximale Sitztiefe)**

**Umgekehrte
Konfiguration –
Klemme für Gestänge
(minimale Sitztiefe)**



4.0 MX2-RÜCKENLEHNE – FLEXIBLE MONTAGE

4.5 Anbringen der Klemme/Befestigungsplatte für das MX2-Gestänge:

Die Klemmen für das MX2-Gestänge sind so konzipiert, dass eine Anbringung am hinteren Rahmenrohr mit einem Durchmesser von 25 mm (1"), 22 mm (7/8") und 19 mm (3/4") möglich ist. (Kunststoffeinsätze (A) sind für hintere Rahmenrohre mit kleineren Durchmessern erhältlich*.)

- 1 Entfernen Sie die Rückenlehne des Rollstuhls (sofern vorhanden).
- 2 Bringen Sie die Klemmenbaugruppe für Gestänge (B) lose am jeweiligen hinteren Rahmenrohr in der gewünschten Ausrichtung an (eine Montageübersicht ist **Abb. 4** und **Abb. 5** zu entnehmen).

*Anpassen der Größe unterschiedlich langer hinterer Rahmenrohre:

25-mm-Gestänge (1") – Keine Kunststoffeinsätze erforderlich

22-mm-Gestänge (7/8") – 22-mm-Kunststoffeinsätze (7/8") anbringen (x2)

19-mm-Gestänge (3/4") – 19-mm-Kunststoffeinsätze (3/4") anbringen (x2)

Anbringen der Klemme für das MX2-Gestänge

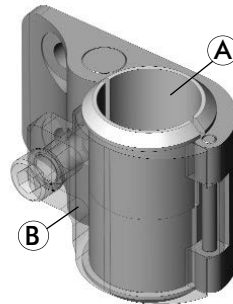
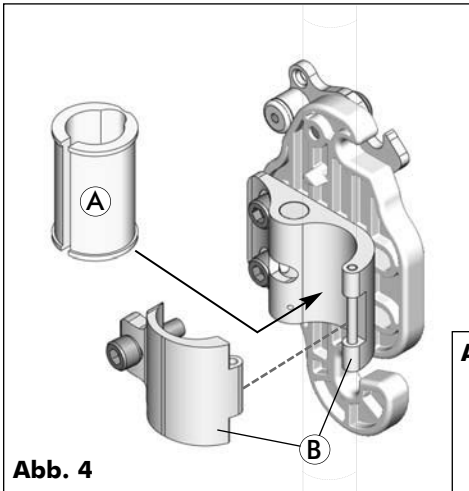
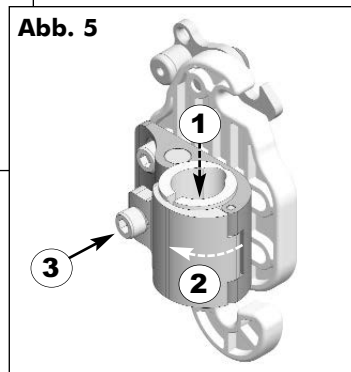


Abb. 5



NÜTZLICHER HINWEIS

Sprühen Sie eine kleine Menge Haarspray auf die hinteren Rahmenrohre und die Innenseite der Kunststoffeinsätze für eine sichere rutschfeste Bindung.

4.0 MX2-RÜCKENLEHNE – FLEXIBLE MONTAGE

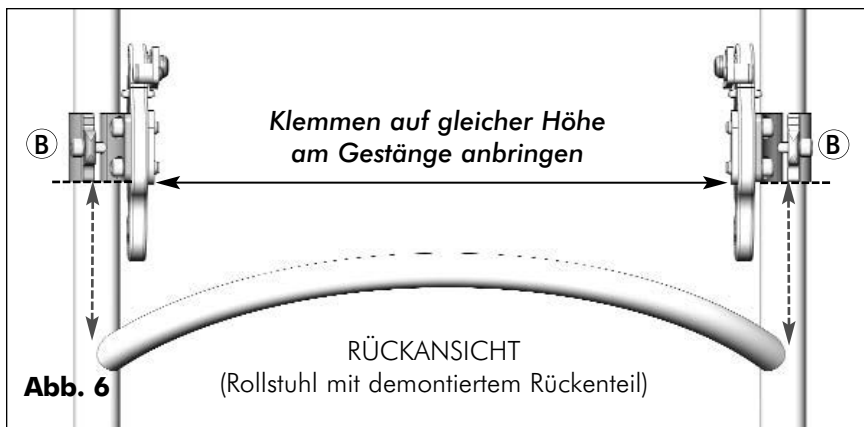
- 3** Beginnen Sie auf einer Seite, schieben/justieren Sie die Klemmenbaugruppe (B) entlang des hinteren Rahmenrohrs auf die gewünschte Höhe/Position und ziehen Sie sie fest.

Hinweis: Die endgültige Höhe der Rückenlehne kann nach der Montage der MX2-Rückenschale an den Befestigungsplatten weiter justiert/genauer eingestellt werden.

- 4** Messen Sie von einem festen Punkt auf dem Rollstuhl (z. B. Sitzrahmen/Querstrebe) aus die Höhe der ersten Klemmenbaugruppe und befestigen Sie die zweite Gestängeklemme auf der gleichen Höhe am gegenüberliegenden hinteren Rahmenrohr (siehe **Abb. 6** unten).

Hinweis: Vergewissern Sie sich, dass die montierten Gestängeklemmen/Befestigungsplatten parallel zueinander ausgerichtet sind.

Höhenverstellung der MX2-Klemme für das Gestänge/Befestigungsplatte



4.6 Montieren der MX2-Rückenlehne an den Befestigungsteilen mit Schnellverschluss

⚠️ WARNUNG! Eine unsachgemäße Montage der Befestigungsstifte kann Schäden an der Rückenschale und/oder den Befestigungsplatten verursachen. Vergewissern Sie sich, dass sich zwischen der Befestigungsplatte und dem Kopf des Befestigungsstifts eine ausreichend große Lücke befindet (**min. 3 mm (1/8") empfohlen**).

⚠️ WARNUNG! Verwenden Sie **NIEMALS** Loctite auf den Befestigungsstiften. Nicht metallische Bauteile können bei einer Verschmutzung Schaden nehmen und spröde werden (brechen).

i WICHTIG! Sofern nicht anders erforderlich, achten Sie **stets** darauf, dass Einstellungen an der linken und rechten Montagehalterung **symmetrisch** vorgenommen werden.

4.0 MX2-RÜCKENLEHNE – FLEXIBLE MONTAGE

! **WICHTIG!** Beachten Sie, dass durch Lösen der Montagehalterungen mit Schnellverschluss (A) auch gleichzeitig die **Breite und Höhe** der MX2-Rückenlehne verstellt werden. Lesen Sie vor der Montage **sämtliche Anweisungen** sorgfältig durch. Es wird empfohlen, während der Montage nur an jeweils einer Montagehalterung Einstellungen vorzunehmen.

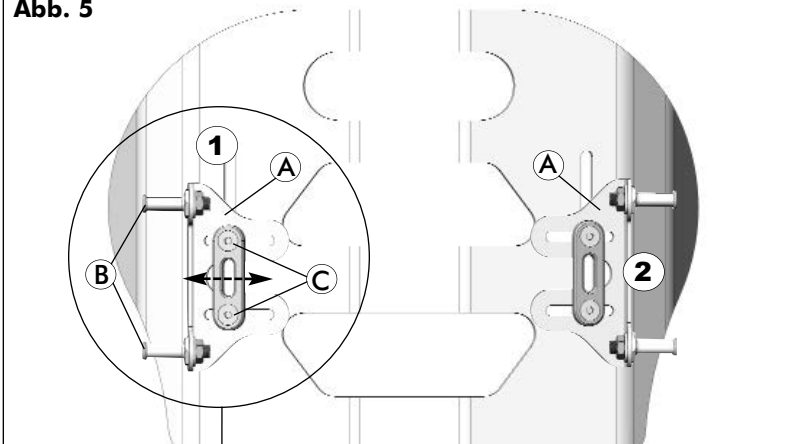
! BITTE BEACHTEN

Jede Montagehalterung mit Schnellverschluss (A) ist standardmäßig mit vorinstallierten Befestigungsstiften (B) ausgestattet und verfügt über breitenverstellbare Schlitzlöcher, die die Montage der MX2-Rückenlehne an den hinteren Rahmenrohren ermöglichen, die **25 mm (1") breiter oder 25 mm (1") enger** als die Nennbreite der Rückenlehne sind.

- 1 Vor der Montage der Invacare® Matrix® MX2-Rückenlehne: (Siehe **Abb. 5**.)
 - i. Arbeiten Sie nur auf einer Seite und lösen Sie die Unterlegscheibe der Befestigungsplatte und die Befestigungsteile (C), sodass die Montagehalterung mit Schnellverschluss (A) und die Befestigungsstifte (B) nach innen oder außen (**1**) verstellt werden können (bei Bedarf), um mit den Befestigungsplatten der Gestängeklemme ausgerichtet zu sein. Siehe **Schritt 2 (Abb. 6a/6b)**.
 - ii. Lassen Sie die andere (gegenüberliegende) Montagehalterungsbaugruppe mit Schnellverschluss an der MX2-Rückenschale (**2**) befestigt.

Ausrichten des Befestigungsstifts/der Montagehalterung mit Schnellverschluss (vor der Montage)

Abb. 5



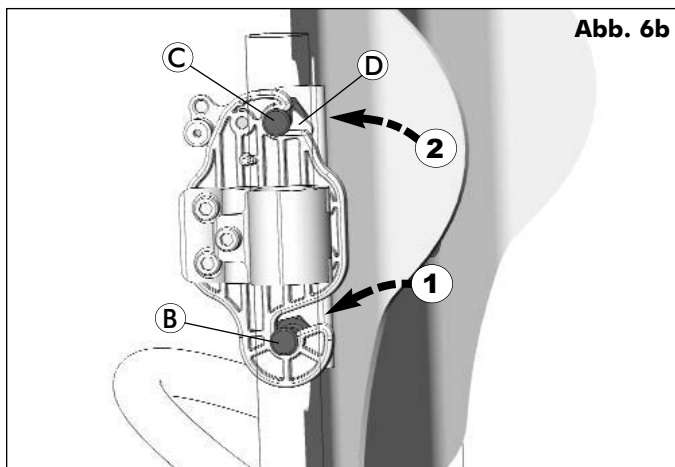
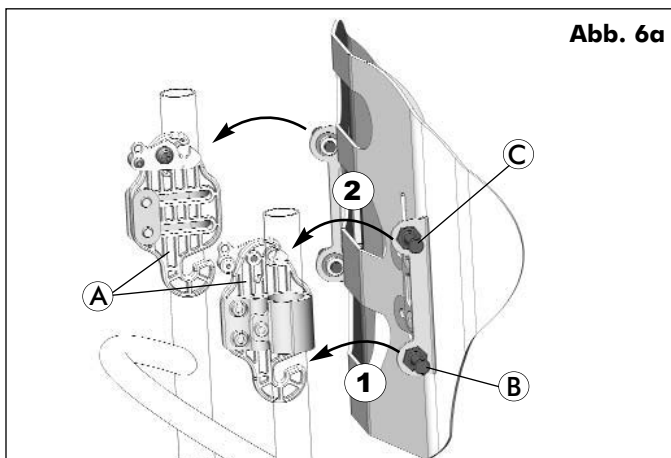
Montagehalterung-
Baugruppe lösen
(nur eine Seite)

4.0 MX2-RÜCKENLEHNE – FLEXIBLE MONTAGE

- 2** Bringen Sie die MX2-Rückenlehne wie folgt an den Befestigungsplatten (A) an: (Siehe **Abb. 6a** und **6b**.)
- Richten Sie die unteren Befestigungsstifte (B) mit den Löchern am unteren Ende der jeweiligen Befestigungsplatte (**1**) aus und setzen Sie sie dort ein.
 - Lassen Sie anschließend die oberen Befestigungsstifte (C) in den Riegelmechanismus (D) am oberen Ende der jeweiligen Befestigungsplatte (**2**) einrasten.

⚠️ WARNUNG! Achten Sie bei der Montage der MX2-Rückenlehne stets darauf, dass beide Riegelmechanismen (D) fest an den oberen Befestigungsstiften anliegen.

Anbringen der MX2-Rückenlehne an den Befestigungsplatten



4.0 MX2-RÜCKENLEHNE – FLEXIBLE MONTAGE

4.7 MX2-Rückenlehne: Breiten- und Höhenverstellung:

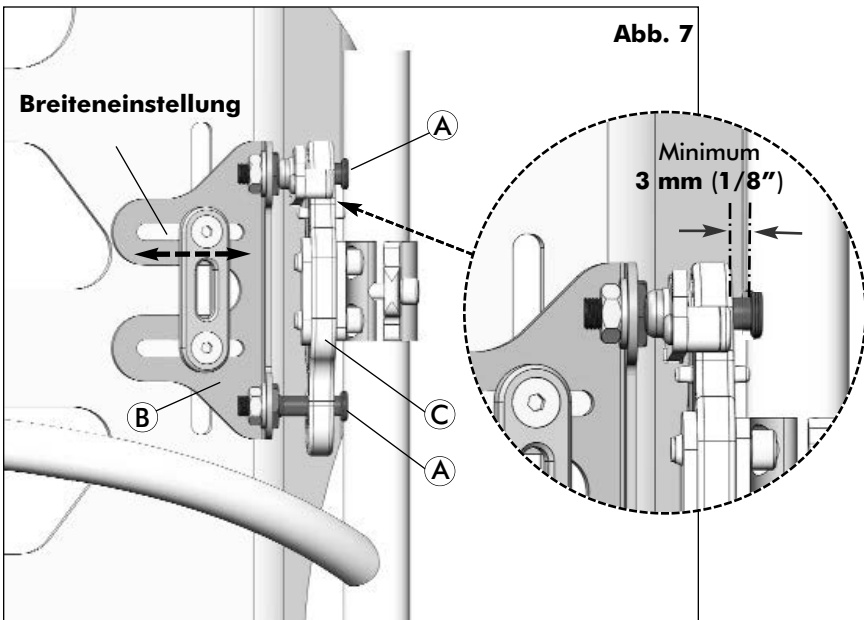
i WICHTIG! Beachten Sie, dass Einstellungen der **Breite und Höhe** an der MX2-Rückenlehne gleichzeitig vorgenommen werden. Wir empfehlen, dass Sie während der Montage nur an jeweils einer Halterung Einstellungen vornehmen und diese nur so weit befestigen, dass nach der jeweiligen Einstellung ein Verrutschen verhindert wird. Die Befestigungsteile können nach abgeschlossener Montage/Einstellung fest angezogen werden.

1 Breiteneinstellung des Befestigungsstifts: Wenn die MX2-Rückenlehne in die Befestigungsplatten eingerastet ist, stellen Sie die Breite des Befestigungsstifts (**A**) so an der jeweiligen Montagehalterung (**B**) ein, dass eine **Mindestlücke von 3 mm (1/8")** zwischen dem Kopf des Befestigungsstifts und der Außenseite der Befestigungsplatte (**C**) besteht*. (Siehe **Abb. 7**.)

* **HINWEIS:** Bei einer Standardkonfiguration der MX2-Rückenlehne muss die Rückenschale nach einer Breitenverstellung zwischen den hinteren Rahmenrohren zentriert sein. (Montagehalterungen müssen symmetrisch an der Rückenschale verstellt werden.)

2 Ziehen Sie beide Montagehalterung-Baugruppen nur so weit fest, dass ein Verrutschen verhindert wird.

MX2-Montage: Anbringen/Breiteneinstellung des Befestigungsstifts



4.0 MX2-RÜCKENLEHNE – FLEXIBLE MONTAGE

- 3 **MX2-Höhenverstellung:** Die Höhe der MX2-Rückenlehne kann nach Bedarf über die Schlitzrinnen in der MX2-Rückenschale verstellt werden (siehe **Abb. 8a**). Die empfohlene Rückenlehnenhöhe* beträgt ungefähr **13-15 mm (5"-6")** von der Oberseite der **Sitzfläche** (Sitzkissen oder Sitzschale). (Siehe **Abb. 8b**.)
- 4 Arbeiten Sie jeweils nur an einer Seite, lösen Sie die Befestigungsteile der Montagehalterung (**A**) und schieben Sie die MX2-Rückenschale nach oben/unten, bis die gewünschte Rückenlehnenhöhe erreicht ist. **HINWEIS:** Der **Höhenverstellbereich der MX2-Rückenlehne** ist von der Höhe (Schlitzlänge) an der MX2-Rückenschale abhängig. Siehe **Tabelle 1.0**:
- 5 Ziehen Sie die Platte/Befestigungsteile der Montagehalterung (**A**) fest, um die MX2-Rückenlehne zu befestigen. Achten Sie dabei darauf, dass die ordnungsgemäße Breite/Position des Befestigungsstifts beibehalten wird (siehe **Abb. 7**). Nehmen Sie die gleiche Höhenverstellung der Rückenlehne an der gegenüberliegenden Montagehalterung vor.
- 6 Sobald sämtliche Breiten- und Höhenverstellungen abgeschlossen wurden, ziehen Sie **alle** Befestigungsteile fest an.

Hinweis: Die empfohlene MX2-Rückenlehnenhöhe gilt nur als Richtlinie. Möglicherweise sind leicht unterschiedliche Einstellungen vorzunehmen. Siehe den Hinweis **Wichtig! unten.*

MX2-Montage: Höhenverstellung der Rückenlehne

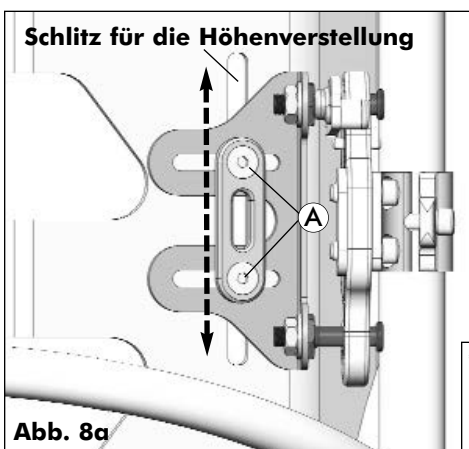
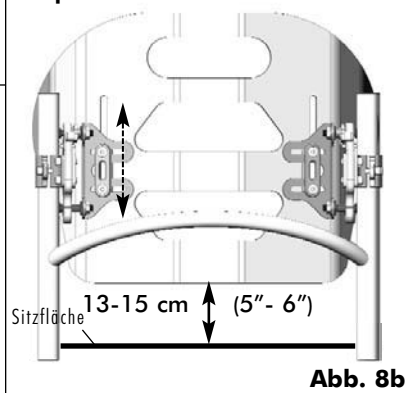


Tabelle 1.0:
MX2-Höhenverstellung
(Schlitzverstellung)

Höhe der Rückenschale	Einstellbereich
150 mm (6")	13 mm (1/2")
230 mm (9")	51 mm (2")
310 mm (12")	51 mm (2")
410 mm (16")	89 mm (3,5")

*Empfohlene Höhe der Rückenlehne



WICHTIG!

Vergewissern Sie sich stets, dass die untere Seite der Rückenlehne anatomisch unter dem hinteren oberen Darmbeinstachel positioniert ist. Wenn Sie Fragen zur ordnungsgemäßen Rückenlehnenhöhe haben, wenden Sie sich an Ihren Händler und/oder Mediziner zwecks entsprechender Beratung.

4.0 MX2-RÜCKENLEHNE – FLEXIBLE MONTAGE

4.8 MX2-Rückenlehne: Winkel- und Tiefeneinstellung

i WICHTIG! Beachten Sie, dass Einstellungen des **Winkels** und der **Tiefe** an der MX2-Rückenlehne gleichzeitig vorgenommen werden. Diese zwei Einstellungen lassen sich leichter durchführen, wenn zuerst die verstellbaren Bauteile an beiden Klemmenbaugruppen gelöst werden. (**Hinweis:** Bei einer Standardmontage müssen die Tiefen- und Winkeleinstellungen an beiden Befestigungsplatten symmetrisch vorgenommen werden.)

- 1 MX2-Winkeleinstellung:** Der Winkel der MX2-Rückenlehne kann ggf. mit den zwei Schrauben für die Tiefen-/Winkeleinstellung (A) an der jeweiligen Befestigungsklemmen-Baugruppe (B) verstellt werden (siehe Abb. 9a).
- 2** Lösen Sie die Schrauben für die Tiefen-/Winkeleinstellung (x2) an der jeweiligen Klemmenbaugruppe und drehen Sie die Befestigungsplatte (C) nach vorne oder hinten, um den gewünschten Rückenlehnenwinkel einzustellen (Winkeleinstellbereich = $\pm 15^\circ$, siehe Abb. 9b).

MX2-Montage: Einstellen des Rückenlehnenwinkels

Abb. 9a

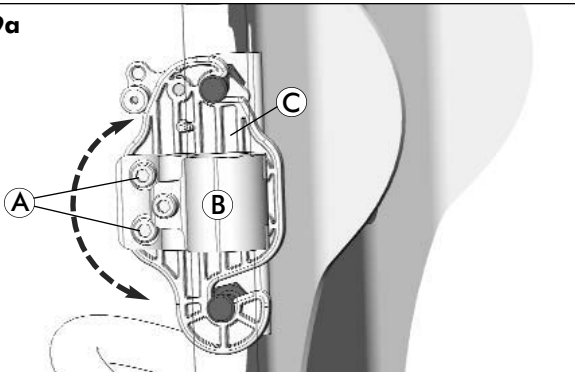
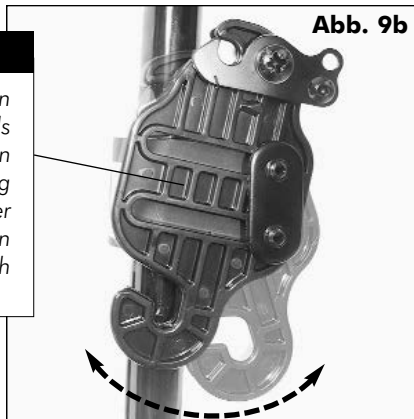


Abb. 9b



Winkeleinstellung ($\pm 15^\circ$)

! BITTE BEACHTEN

Die geformten vertikalen Einkerbungen auf den Befestigungsplatten dienen als Orientierung für die symmetrischen Einstellungen. Bei der Winkeleinstellung der MX2-Rückenlehne kann anhand der vertikalen Einkerbungen der Winkel an beiden Befestigungsplatten identisch eingestellt werden.

4.0 MX2-RÜCKENLEHNE – FLEXIBLE MONTAGE

- 3 MX2-Tiefeneinstellung:** Die Gesamttiefe der MX2-Rückenlehne kann über zwei individuelle Justierungen eingestellt werden:

Ausrichtung der Klemme für das MX2-Gestänge: (siehe auch Abschnitt 4.4)

Die Klemmen für das MX2-Gestänge (B) können entweder in der standardmäßigen Ausrichtung (hinten) oder für eine kürzere Sitztiefe in einer umgekehrten Ausrichtung (vorne) angebracht werden (siehe Abb. 10).

Bei der **hintersten Montage (1)** beträgt die Tiefe der Rückenlehne **44 mm (-1,75")**.
Bei der **vordersten Montage (2)** beträgt die Tiefe der Rückenlehne **57 mm (+2,25")**.

(Hinweis: Die Messungen beziehen sich auf die hinteren Rahmenrohre und erfolgen anhand der Position des Befestigungsstifts.)

Der maximale vordere und hintere Tiefeneinstellungsbereich (von der hintersten Montage bis zur vordersten Montage) beträgt **108 mm (4,25")**.

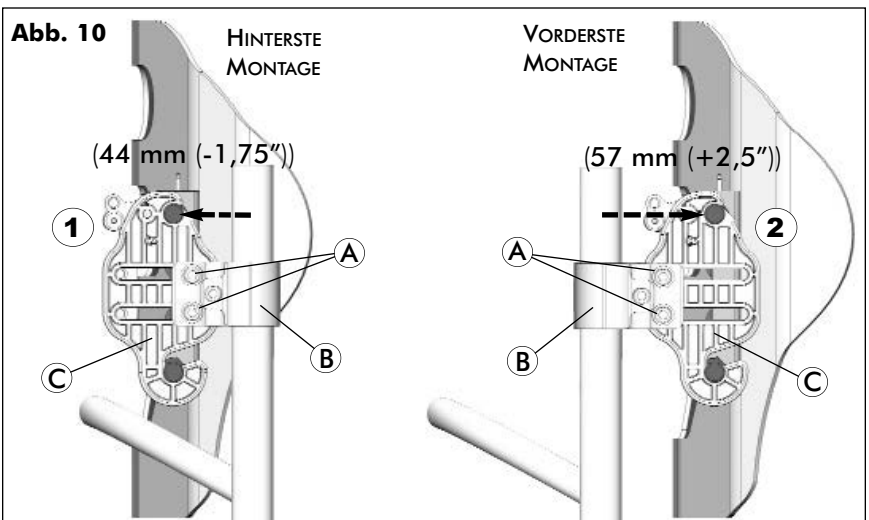
Tiefeneinstellung der MX2-Befestigungsplatte*:

Die Schlitzrinnen in den MX2-Befestigungsplatten (C) ermöglichen eine Tiefeneinstellung von **44 mm (1,75")** innerhalb des maximalen Einstellbereichs (siehe Abb. 11 (S. 28)).

* **HINWEIS:** Die Tiefeneinstellungsbereich der verfügbaren Befestigungsplatte ist bei der Winkelverstellung der MX2-Rückenlehne eingeschränkt.

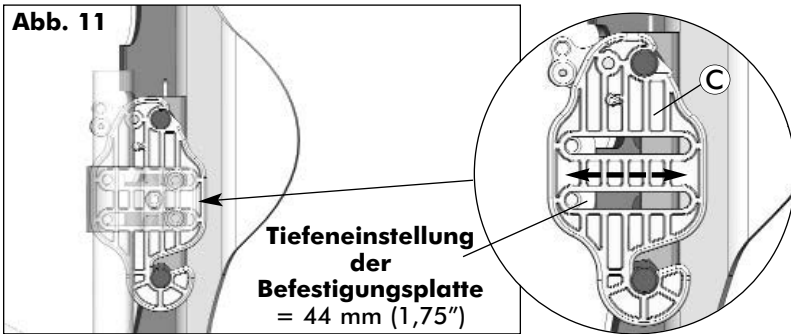
- 4** Lösen Sie zur Einstellung die zwei Justierschrauben (A) an der jeweiligen Klemmenbaugruppe für das Gestänge und schieben Sie die Befestigungsplatten (C) in den Einstellschlitz nach vorne oder hinten, um die gewünschte Rückenlehntiefe einzustellen.
- 5** Sobald sämtliche Winkel- und Tiefeneinstellungen abgeschlossen wurden, ziehen Sie **alle** Befestigungsteile fest an.

MX2-Montage: Tiefeneinstellung der Rückenlehne



4.0 MX2-RÜCKENLEHNE – FLEXIBLE MONTAGE

MX2-Montage: Tiefeneinstellung der Rückenlehne



4.9 Abnehmen der MX2-Rückenlehne von den Schnellverschluss-Befestigungsteilen

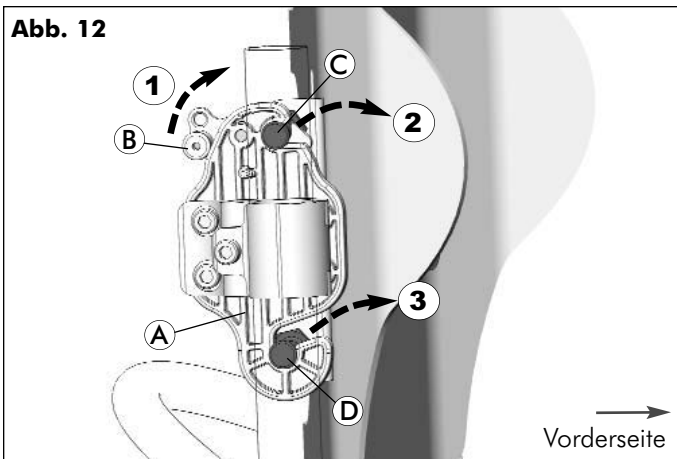
1 Entfernen bzw. lösen Sie die MX2-Rückenlehne wie folgt von den Befestigungsplatten (A) (siehe **Abb. 12** unten):

i. Stellen Sie sich hinter den Rollstuhl und heben Sie den Riegellösemechanismus (B) an beiden Befestigungsplatten (**1**) gleichzeitig an.

ii. Wenn die Riegel geöffnet wurden, schieben Sie die Oberseite der MX2-Rückenlehne (**2**) nach vorne, um die oberen Befestigungsstifte (C) von den Befestigungsplatten (A) zu lösen.

iii. Wenn die oberen Stifte gelöst wurden, ziehen Sie die MX2-Rückenlehne nach oben und nach vorne (**3**), um die unteren Befestigungsstifte (D) von den Befestigungsplatten zu lösen.

Entfernen/Lösen der MX2-Rückenlehne



5.0 PFLEGE UND INSTANDHALTUNG

5.1 Pflege und Wäsche:

i WICHTIG! Alle verwendeten Reinigungs- und Desinfektionsmittel müssen wirksam und miteinander verträglich sein und das Material schützen, das mit ihnen gereinigt wird.



VORSICHT! Risiko von Produktschäden

KEINE Reinigungsmittel verwenden, die Bleichmittel, Phenole oder Alkohole enthalten.

Allgemeine Pflege und Reinigung:

Der Bezug kann einfach mit einem feuchten Tuch abgewischt werden.

Waschanweisungen (Bezug):

1. Entfernen Sie den Bezug vorsichtig, indem Sie den Klettverschluss entlang der oberen und unteren Seite und innerhalb der Rückenschale lösen.

HINWEIS: Vor dem Waschen muss das innere Schaumstoffkissen entfernt werden.

2. Waschen Sie den Bezug in der Waschmaschine im Schonwaschgang bei 60 °C (siehe Pflegehinweise auf dem Etikett).

i WICHTIG! Wenn der Bezug bei höheren Temperaturen gewaschen wird, kann er einlaufen.

3. Hängen Sie den Bezug in einem sauberen Innenraum zum Trocknen auf.

oder

Trocknen Sie den Bezug bei geringer Temperatur im Trockner.

i WICHTIG!

- Der Trockner darf nicht auf mehr als 40 °C eingestellt werden.
- Lassen Sie den Bezug nicht länger als 10 Minuten im Trockner.
- Trocknen Sie den Bezug gründlich, bevor Sie ihn wieder auf das Schaumstoffkissen aufziehen.
- Nicht bügeln.
- Nicht chemisch reinigen.

5.2 Instandhaltung und Inspektion

Monatlich: Führen Sie regelmäßig eine Sichtkontrolle der Bauteile, Befestigungen, Halterungen, Polster, Schaumstoffeinsätze und Kunststoffelemente des Rollstuhls auf Verformungen, Korrosion, Brüche, Verschleiß und Druckeinwirkungen durch.

▲ WARNUNG! Verletzungsgefahr oder Gefahr von Sachschäden

Prüfen Sie wöchentlich ALLE Verschlüsse, mechanischen Verbindungen und Anbauteile auf einwandfreie Befestigung.

Nach Auftreten von Schäden/Problemen darf das Produkt NICHT weiter verwendet werden. Ihr Händler führt erforderliche Reparaturarbeiten aus oder veranlasst diese.

6.0 MX2-OPTIONEN

6.1 (Optional) Montage/Einstellung der Lumbalstütze

! BITTE BEACHTEN

Bei der **Lumbalstütze** handelt es sich um ein anatomisch geformtes Schaumteil zur Stützung im unteren Rückenbereich. Die Lumbalstütze kann in verschiedenen Positionen in den Invacare® MatrX® MX2-Bezug eingelegt werden (siehe *Anleitung unten*). Sie kann herausgenommen werden, wenn keine zusätzliche Stützung im Lendenwirbelbereich gewünscht wird.

1. Öffnen Sie den Klettverschluss am Bezug A hinten unten an der Rückenschale, um an die Lumbalstütze zu gelangen.
2. Die Lumbalstütze B wird zwischen dem Schaumstoffpolster C und der Rückenschale D in den Invacare® MatrX® MX2-Bezug eingelegt.
3. Die Lumbalstütze kann in jeder gewünschten Höhe/Position eingestellt werden.
4. Befestigen Sie den Bezug mit dem Klettverschluss an der Rückenschale.

Lumbalstütze



* **HINWEIS:** Der Schaumstoff der Lumbalstütze kann gemäß den Anforderungen des Endbenutzers zugeschnitten/angepasst werden.



Position der Lumbalstütze wie gewünscht anpassen oder ganz entfernen

6.0 MX2-OPTIONEN

6.2 (Optional) Sichtschutz (separat erhältlich)

Der Sichtschutz (separat erhältlich) kann mit allen MX2-Rückenlehnen in Standardgröße verwendet werden. Alle Rückenlehnen in Standardgröße sind mit einem vorgenähten Klettverschluss auf der unteren Rückseite des Bezugs versehen, an dem der Sichtschutz angebracht werden kann.

Angaben zur richtigen Größe des Sichtschutzes für die MX2-Rückenlehne finden Sie in der folgende Tabelle:

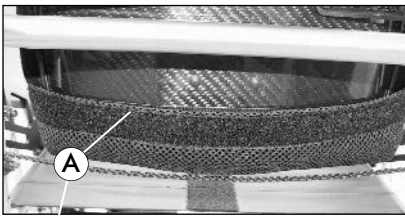
BREITE	SICHTSCHUTZ
36 cm (14 in.)	PFLAP-XS 26 x 41 cm (10" x 16")
38 cm (15 in.)	PFLAP-S
41 cm (16 in.)	33 x 41 cm (13" x 16")
43 cm (17 in.)	PFLAP-M
46 cm (18 in.)	38 x 41 cm (15" x 16")



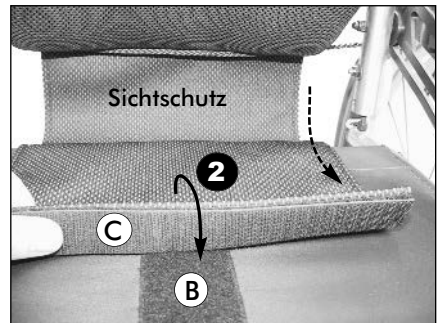
Installationsanweisung:

- Entfernen Sie das Sitzkissen des Rollstuhls (sofern vorhanden).
- Vergewissern Sie sich, dass die gewünschte Höhe der Rückenlehne eingestellt ist. (Siehe **Abschnitt 4.0, Abbildung 8**.)
- Stellen Sie sich hinter den Rollstuhl (mit dem Gesicht nach vorne). Richten Sie den Hakenbandstreifen des Sichtschutzes am Klettverschlussstreifen auf der unteren Rückseite des MX2-Rückenlehnenbezugs (A) aus und bringen Sie ihn dort an. (Siehe Schritt **1** unten.)
- Ziehen Sie das gegenüberliegende (nicht befestigte) Ende des Sichtschutzes durch den Spalt zwischen der unteren Rückenlehne und der Sitzfläche des Rollstuhls.
- Befestigen Sie das Klettverschlussband des Sichtschutzes am vorhandenen Klettband* (B) auf dem Gurtsitz oder der Sitzfläche des Rollstuhls. (Siehe Schritt **2** unten.)

* **HINWEIS:** Wenn die Sitzfläche des Rollstuhls mit zueinander passenden Klettverschlussbändern ausgestattet ist, befestigen Sie den Sichtschutz mit dem vorhandenen doppelten Klettverbinderstreifen (C).



RÜCKANSICHT



VORDERANSICHT

matrix[®]
SEATING SERIES



Respaldo Matrix MX2

para componentes de **MONTAJE FIJO**

y componentes de **MONTAJE EXTRAÍBLE**

INSTALACIÓN/CONFIGURACIÓN

i ¡IMPORTANTE! Las instrucciones de instalación contenidas en este manual las debe seguir únicamente un técnico cualificado.

DISTRIBUIDOR: este manual DEBE proporcionarse al usuario del producto.

USUARIO: antes de utilizar este producto, lea este manual y consérvelo para futuras consultas.



TRD0439 Rev B

GARANTÍA

TENGA EN CUENTA QUE LA SIGUIENTE GARANTÍA SE HA REDACTADO PARA CUMPLIR CON LAS LEYES FEDERALES APLICABLES A LOS PRODUCTOS FABRICADOS A PARTIR DEL 4 DE JULIO DE 1975.

Esta garantía se extiende únicamente al comprador/usuario original de nuestros productos. Esta garantía le concede derechos legales específicos, aunque puede disponer de otros derechos legales que pueden diferir entre distintos estados. Con esta garantía, Invacare/Motion Concepts garantiza que sus productos estarán libres de defectos de materiales y mano de obra durante dos años de uso a partir de la fecha de compra original. Esta garantía no cubre pinchazos, desgarros o quemaduras ni la funda del cojín extraíble. Si durante este período de garantía se demuestra que los productos son defectuosos, se procederá a la reparación o sustitución de estos, según lo que Invacare/Motion Concepts estime oportuno, por piezas nuevas o reparadas. Esta garantía no incluye los gastos de mano de obra o envío derivados de la reparación o la instalación de las piezas de recambio de dichos productos. Las reparaciones del producto no ampliarán la vigencia de esta garantía: la cobertura de los productos reparados terminará cuando esta garantía limitada llegue a su fin. La única obligación de Invacare/Motion Concepts y la solución exclusiva para el usuario bajo esta garantía está limitada a dicha reparación o sustitución. Para obtener información sobre el servicio de la garantía, póngase en contacto con el distribuidor a quien compró el producto de Invacare/Motion Concepts. En el caso de que no reciba un servicio de garantía satisfactorio, escriba directamente a Invacare/Motion Concepts enviando una carta a la dirección postal indicada en la contracubierta. Especifique el nombre del distribuidor, la dirección, el número de modelo, la fecha de compra, la naturaleza del defecto y, si el producto está serializado, el número de serie.

Invacare Corporation/Motion Concepts emitirá una autorización de devolución. La unidad o piezas defectuosas deberán devolverse para someterse a la inspección de garantía en el plazo de treinta (30) días a partir de la fecha de autorización de devolución, indicando como identificación el número de serie, si procede.

NO devuelva ningún producto a fábrica sin nuestro consentimiento previo. Los envíos contra reembolso no están admitidos. Por favor, pague los gastos de envío con antelación.

LIMITACIONES Y EXCLUSIONES: LA GARANTÍA NO ES APLICABLE A LOS PROBLEMAS SURGIDOS POR EL DESGASTE NORMAL O POR NO SEGUIR LAS INSTRUCCIONES ADJUNTAS. ADEMÁS, LA GARANTÍA ANTES MENCIONADA NO SE APLICARÁ A LOS PRODUCTOS CON NUMERACIÓN DE SERIE SI EL NÚMERO DE SERIE SE HA ELIMINADO O ALTERADO; A LOS PRODUCTOS SOMETIDOS A UN USO NEGLIGENTE, ACCIDENTE O UTILIZACIÓN, MANTENIMIENTO O ALMACENAMIENTO INADECUADOS; O A LOS PRODUCTOS MODIFICADOS SIN EL CONSENTIMIENTO EXPRESO POR ESCRITO DE INVACARE/MOTION CONCEPTS, INCLUYENDO, PERO SIN LIMITARSE A: LA MODIFICACIÓN POR MEDIO DEL USO DE PIEZAS O ACCESORIOS NO AUTORIZADOS; PRODUCTOS DAÑADOS COMO CONSECUENCIA DE REPARACIONES REALIZADAS EN CUALQUIER COMPONENTE SIN EL CONSENTIMIENTO ESPECÍFICO DE INVACARE/MOTION CONCEPTS; PRODUCTOS DAÑADOS POR CIRCUNSTANCIAS AJENAS AL CONTROL DE INVACARE/MOTION CONCEPTS; PRODUCTOS REPARADOS POR ALGUIEN QUE NO SEA DISTRIBUIDOR DE INVACARE/MOTION CONCEPTS, TAL EVALUACIÓN SOLAMENTE LA PODRÁ DETERMINAR INVACARE/MOTION CONCEPTS.

LA PRESENTE GARANTÍA ES EXCLUSIVA Y ANULA CUALQUIER OTRA GARANTÍA EXPLÍCITA, SI EXISTIERA, INCLUIDAS LAS GARANTÍAS IMPLÍCITAS DE COMERCIABILIDAD Y ADECUACIÓN PARA UN FIN CONCRETO. ESTA NO SE AMPLIARÁ MÁS ALLÁ DE LA DURACIÓN DE LA GARANTÍA IMPLÍCITA OTORGADA AQUÍ Y LA SOLUCIÓN PARA LA INFRACCIÓN DE CUALQUIER GARANTÍA IMPLÍCITA SE LIMITARÁ A LA REPARACIÓN O SUSTITUCIÓN DEL PRODUCTO DEFECTUOSO DE CONFORMIDAD CON LAS CONDICIONES EXPUESTAS AQUÍ. INVACARE/MOTION CONCEPTS NO SERÁ RESPONSABLE DE NINGÚN DAÑO INCIDENTAL O DERIVADO. ESTA GARANTÍA DEBERÁ AMPLIARSE PARA CUMPLIR CON LAS LEYES Y REQUISITOS DE CADA ESTADO O PROVINCIA.

Este manual no se podrá reproducir ni volver a imprimir, ya sea parcial o completamente, sin el consentimiento previo por escrito de Motion Concepts o de sus representantes legales.

Este manual del usuario se ha compilado a partir de las últimas especificaciones e información del producto disponibles en el momento de la publicación. Nos reservamos el derecho a realizar modificaciones cuando sean necesarias. Cualquier cambio realizado en nuestros productos puede causar ligeras variaciones entre las ilustraciones y explicaciones de este manual y el producto que haya adquirido. Si tiene alguna pregunta o preocupación relativa a la información proporcionada en este manual, póngase en contacto con nuestro Departamento de atención al cliente para obtener asistencia.




Motion Concepts LP Copyright © 2017


Contenido

- 1.0 Advertencias generales
- 2.0 Información sobre seguridad
- 3.0 Instalación/ajuste de MX2 - **Montaje fijo**
- 4.0 Instalación/ajuste de MX2 - **Montaje extraíble**
- 5.0 Instrucciones de cuidado y mantenimiento
- 6.0 Opciones de MX2

SÍMBOLOS DE SEGURIDAD:

La configuración adecuada y el uso seguro de su respaldo Matrix MX2 de Invacare depende de su propio buen criterio y sentido común, así como de los de su proveedor, cuidador o profesional sanitario. A lo largo de este manual se utilizan los siguientes símbolos para identificar las advertencias, precauciones y notas importantes. Es muy importante que las lea y comprenda totalmente.

-  **¡PRECAUCIÓN!** Si no se observan las precauciones de este manual, pueden producirse daños en su producto de asiento Matrix.
-  **¡ADVERTENCIA!** Si no se observan las advertencias de este manual, pueden producirse lesiones personales.
-  **¡IMPORTANTE!** Información importante que debe recordarse durante la instalación y la configuración del producto de asiento Matrix.

 **¡IMPORTANTE!** Consulte el manual del usuario de silla de ruedas para ver información de seguridad, advertencias y precauciones adicionales relativas al funcionamiento de su silla de ruedas.

1.0 ADVERTENCIAS GENERALES

1.1 Información general

⚠️ ¡ADVERTENCIA PARA EL USUARIO!

NO UTILICE ESTE PRODUCTO NI NINGÚN OTRO EQUIPO OPCIONAL DISPONIBLE SIN ANTES HABER LEÍDO Y COMPRENDIDO COMPLETAMENTE ESTAS INSTRUCCIONES Y CUALQUIER OTRO MATERIAL INFORMATIVO ADICIONAL, COMO MANUALES DEL USUARIO, MANUALES DE SERVICIO U HOJAS DE INSTRUCCIONES PROPORCIONADOS CON ESTE PRODUCTO O EQUIPO OPCIONAL. SI TIENE ALGUNA DUDA RELACIONADA CON LAS ADVERTENCIAS, PRECAUCIONES O INSTRUCCIONES, PÓNGASE EN CONTACTO CON UN PROFESIONAL SANITARIO, DISTRIBUIDOR O TÉCNICO ANTES DE INTENTAR UTILIZAR ESTE EQUIPO; DE LO CONTRARIO, EXISTE EL RIESGO DE QUE SE PRODUZCAN LESIONES O DAÑOS.

📌 INFORMACIÓN IMPORTANTE

El mejor modo de evitar problemas relacionados con las escaras por presión es comprender sus causas y saber cuál es el papel que puede usted desempeñar en el programa de tratamiento de la piel. Deberá consultar a su médico o terapeuta si tiene alguna duda en relación con limitaciones y necesidades específicas. Todos los respaldos deben seleccionarse cuidadosamente. Colaborar con su médico o terapeuta es la mejor forma de garantizar que el cojín elegido satisfaga sus necesidades personales. Cuanto más complejas son las necesidades del usuario, más importancia cobra la valoración.

Respaldos Matr[®] MX2 de Invacare[®]

El respaldo Matr[®] MX2 de Invacare[®] tiene forma curvada para favorecer una orientación precisa en la silla de ruedas a fin de obtener un soporte postural óptimo. Está realizado con espuma espesorada para proporcionar comodidad y protección adicionales.

El respaldo Matr[®] MX2 de Invacare[®] incluye una almohadilla lumbar de espuma extraíble que se puede instalar o insertar detrás del cojín de espuma existente para ofrecer una capacidad de posicionamiento adicional. Consulte la **Sección 6.0 - Soporte lumbar**.

La funda exterior está fabricada en una malla espaciadora transpirable, combinada con un material de polipiel para aumentar la durabilidad. Se recomienda realizar limpiezas y revisiones periódicas de la funda exterior. Consulte la **Sección 5.0 - Cuidado y mantenimiento**.

1.2 Elementos sometidos a desgaste

📌 ¡IMPORTANTE! Los elementos y componentes que están sometidos a desgaste con el uso cotidiano son, entre otros, los siguientes: todos los elementos de tapicería, como la tapicería del respaldo y los cojines.

Invacare se reserva el derecho a solicitar la devolución de cualquier elemento que tenga un presunto defecto de mano de obra. Consulte **Política de garantía** (contraportada) para ver información específica de la garantía.

Consulte en este Manual del usuario la programación de mantenimiento preventivo y el uso adecuado del producto. Estas son solo unas directrices generales y no incluyen los elementos dañados debido al abuso y al uso indebido. La vida útil depende de muchos factores.

1.3 Uso previsto

Nuestros respaldos Matr[®] MX2 de Invacare[®] están diseñados para favorecer una orientación precisa en la silla de ruedas a fin de obtener un soporte postural óptimo.

2.0 INFORMACIÓN SOBRE SEGURIDAD

2.1 ¡Advertencias sobre el transporte!

⚠ ¡ADVERTENCIA!

Trasladar al usuario en una silla de ruedas equipada con un respaldo **Matrx[®] MX2** de **Invacare[®]** en un vehículo a motor conlleva un riesgo de lesiones graves.

- Siempre que sea posible, Invacare recomienda que el usuario se traslade en el asiento del vehículo sin la silla de ruedas y que utilice un cinturón de seguridad de tres puntos de anclaje.
- Los respaldos **Matrx[®] MX2** de **Invacare[®]** solo deben usarse con sillas de ruedas que cumplan los requisitos de funcionamiento exigidos por las normas **RESNA WC19** o **ISO 7176-19**.
- Para que el usuario viaje de manera segura en una silla de ruedas dentro de un vehículo a motor, consulte los manuales de usuario del sistema de fijación de la silla de ruedas y sujeción de ocupantes (**WTORS**).

2.2 Seguridad general

⚠ ¡ADVERTENCIA! Riesgo de daños, lesiones graves o muerte

Un uso incorrecto de este producto puede provocar lesiones o daños. Si tiene alguna duda relacionada con las advertencias, precauciones o instrucciones, póngase en contacto con un profesional sanitario o distribuidor antes de intentar utilizar este equipo. **NO** utilice este producto ni ningún equipo opcional disponible sin antes haber leído y comprendido completamente estas instrucciones y cualquier otro material informativo adicional, como el manual del usuario, manuales de servicio u hojas de instrucciones proporcionados con este producto o equipo opcional.

⚠ ¡ADVERTENCIA! Riesgo de daños, lesiones graves o muerte

Si se arrojan cigarrillos encendidos sobre un sistema de asiento tapizado, se puede producir un incendio que produzca la muerte, una lesión grave o daños. Los ocupantes de la silla de ruedas están en particular riesgo de lesiones graves o muerte a causa de dichos incendios y de los gases resultantes dado que es posible que no tengan la capacidad de alejarse de la silla de ruedas.

- **NO** fume mientras utilice esta silla de ruedas.

⚠ ¡ADVERTENCIA! Riesgo de lesiones

Los productos **Matrx[®]** de **Invacare[®]** están específicamente diseñados y fabricados para utilizarse con los accesorios **Matrx[®]** de **Invacare[®]**. Invacare no ha probado los accesorios diseñados por otros fabricantes y, por consiguiente, estos no están recomendados para su empleo con los productos **Matrx[®]** de **Invacare[®]**.

⚠ ¡ADVERTENCIA! Riesgo de lesiones

Después de la instalación de un nuevo sistema de asiento, deberá examinarse con frecuencia el estado de la piel. Deberá consultar a su médico o terapeuta si tiene alguna duda en relación con limitaciones y necesidades específicas. Cuanto más complejas son las necesidades del usuario, más importancia cobra la valoración.

2.0 INFORMACIÓN SOBRE SEGURIDAD

2.3 Advertencias sobre la instalación

⚠️ ¡ADVERTENCIA! Riesgo de lesiones graves

Cuando determine la posición de montaje del respaldo Matrix® MX2 de Invacare®, asegúrese de que la estabilidad de la silla de ruedas no se vea comprometida. Al ajustar la posición delantera y trasera del respaldo, alterará el centro de gravedad del usuario en la silla de ruedas. Una posición retrasada del respaldo puede reducir considerablemente la estabilidad trasera de la silla de ruedas. De igual modo, una posición más adelantada del respaldo reducirá la estabilidad delantera.

⚠️ ¡ADVERTENCIA! Riesgo de lesiones graves o daños

- Los procedimientos descritos en este manual debe realizarlos un técnico cualificado.
- Los componentes de sujeción que estén sueltos pueden causar una inestabilidad que provoque lesiones graves o daños.
- Después de realizar CUALQUIER ajuste, reparación o servicio y antes de proceder al uso, asegúrese de que todos los componentes de sujeción están bien apretados.
- NO instale el conjunto de respaldo Matrix® MX2 de Invacare® en montantes de respaldo cuyo diámetro exterior sea superior a 25 mm (1 pulg.) o inferior a 19 mm (3/4 pulg.). De lo contrario, podrían producirse lesiones o daños.
- El respaldo Matrix® MX2 de Invacare® no está diseñado para aplicaciones de asiento eléctrico.
- La posición de montaje del respaldo Matrix® MX2 de Invacare® está directamente relacionada con la estabilidad de la silla de ruedas. Tal vez sea necesario recolocar las ruedecillas delanteras, las ruedas traseras, el ángulo del respaldo, el espacio de inclinación, la posición de reclinación o la profundidad del asiento antes de proceder a su uso.
- Asegúrese de que el respaldo Matrix® MX2 de Invacare® está correctamente fijado a la silla de ruedas antes de proceder a su uso. De lo contrario, podrían producirse lesiones o daños.

⚠️ ¡ADVERTENCIA! Riesgo de lesiones graves o daños

Los componentes de instalación proporcionados son muy resistentes y de durabilidad comprobada. **NO los sustituya por otros componentes.** Emplee exclusivamente los componentes Matrix MX2 originales suministrados.

2.4 Tamaños de respaldo/capacidad de peso:

MODELO CONFIGURADO	DESCRIPCIÓN	PROFUNDIDAD DE CONTORNO	CAPACIDAD DE PESO
IMX2anal	Respaldo Matrix MX2	76 mm (3 pulg.)	113 kg (250 libras)

* anal = anchura/altura

Tamaños disponibles: Anchura: 355 mm - 460 mm (14 pulg. - 18 pulg.);
Altura: 150 mm (6 pulg.), 230 mm (9 pulg.), 310 mm (12 pulg.), 410 mm (16 pulg.)

Póngase en contacto con su proveedor o terapeuta para determinar el modelo/tamaño de respaldo adecuado para sus necesidades individuales. Para obtener más información sobre cualquiera de nuestros respaldos Matrix, incluidos todos los modelos/tamaños disponibles, visite www.motionconcepts.com or www.invacare.com.

3.0 RESPALDO MX2 - INSTALACIÓN DE MONTAJE FIJO

3.1 Kit de componentes de montaje fijo

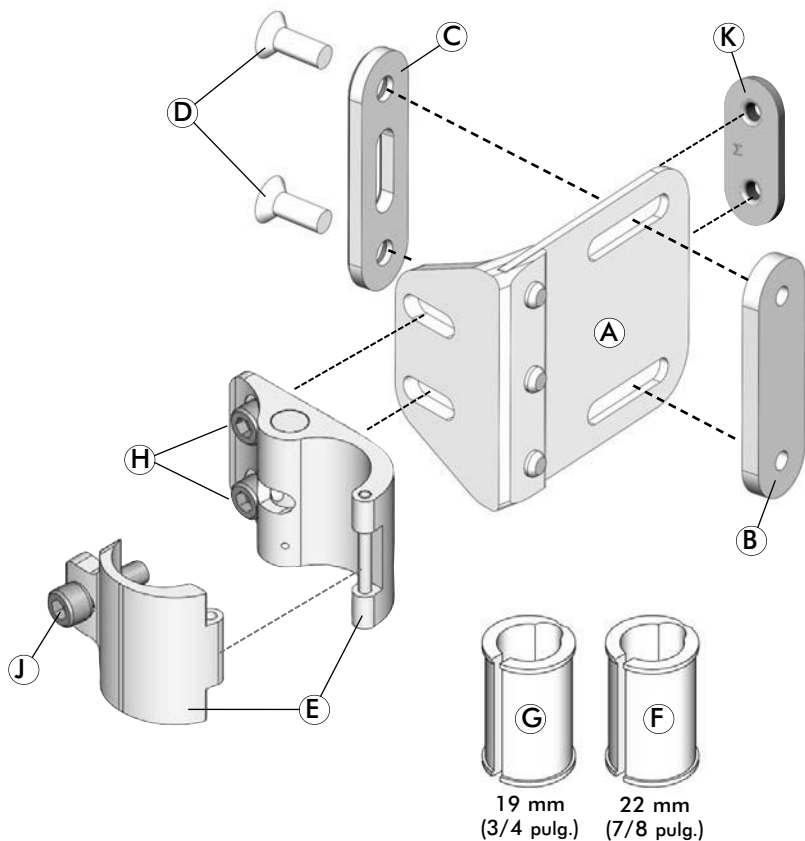
i) Conjunto del soporte de montaje (se instala en la estructura del respaldo Mx2):

- | | |
|---|---|
| 2 - Soportes de montaje fijo (A) | 2 - Placas de arandelas de soporte fijo (C) |
| 2 - Placas de tuercas de soporte fijo (B) | 4 - Tornillos de soporte fijo (D) |

ii) Conjunto de abrazaderas del montante (se instala en los montantes de respaldo de la silla de ruedas):

- | | |
|---|--|
| 2 - Abrazadera del montante (E) | 4 - Tornillos de ajuste de profundidad/reclinación (H) |
| 2 - Latiguillos de montante 22 mm (7/8 pulg.) (F) | 2 - Tornillos de abrazadera de montante (J) |
| 2 - Latiguillos de montante 19 mm (3/4 pulg.) (G) | 2 - Placas de tuercas de abrazadera de montante (K) |

(Se muestra el conjunto de componentes derecho)



3.0 RESPALDO MX2 - INSTALACIÓN DE MONTAJE FIJO

3.2 Herramientas necesarias

Llave Allen (4 mm/5 mm) (suministrada)

Cinta métrica/regla

! TENGA EN CUENTA QUE

Si algún componente de montaje suministrado faltara o no se encontrara en el lugar correcto, póngase en contacto con el representante local de Invacare/Motion Concepts para conseguir las piezas de repuesto necesarias.

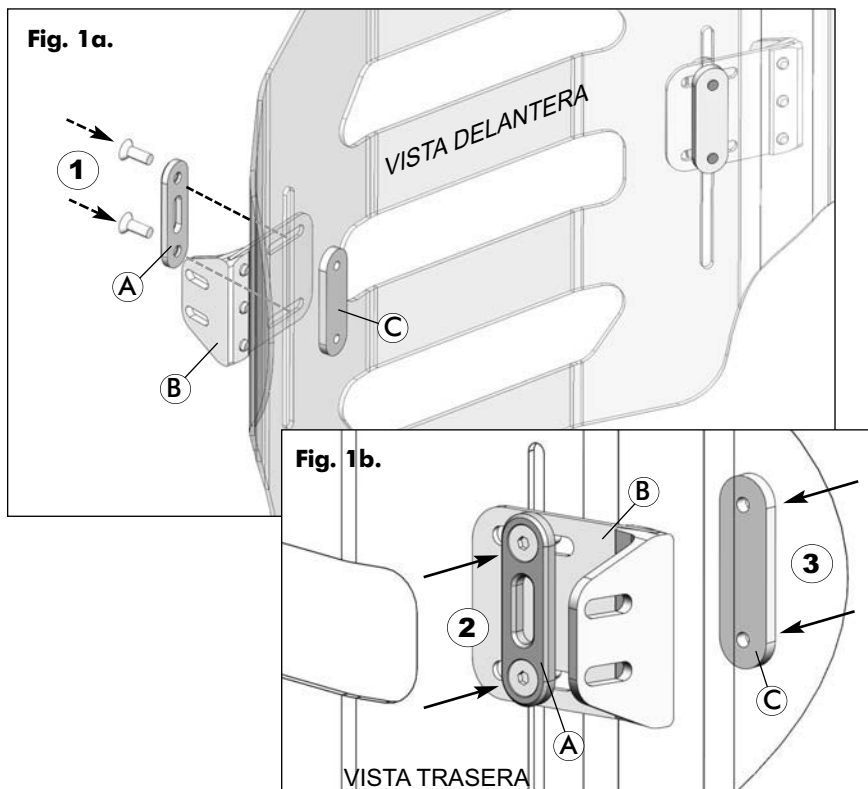
3.3 Instalación de los soportes de montaje fijo MX2:

i NOTA: antes de la instalación de los soportes de montaje fijo
Extraiga o afloje con cuidado la funda MX2 soltando los cierres de velcro situados a lo largo del borde inferior y en el interior de la estructura del respaldo.

- 1 Trabajando en uno de los lados de la estructura del respaldo, instale el soporte de montaje fijo en la estructura del respaldo Matrx[®] MX2 de Invacare[®] del modo siguiente:
 - Alinee la placa de arandelas (A) con las ranuras del soporte de montaje fijo (B) e inserte los tornillos a través de ambos componentes (1); (consulte la Fig. 1a).
 - Desde la parte posterior de la estructura del respaldo, instale los 2 tornillos que sobresalen del soporte de montaje a través de la ranura vertical de la estructura del respaldo MX2 (2); (consulte la Fig. 1b).
 - Para sujetar el soporte de montaje a la estructura del respaldo Mx2, apriete los tornillos en la placa de tuercas (C) de la parte frontal (interior) de la estructura del respaldo (3); (consulte la Fig. 1b).
- 2 Instale el soporte de montaje fijo restante en el lado contrario de la estructura del respaldo (siguiendo el Paso 1 anterior).

3.0 RESPALDO MX2 - INSTALACIÓN DE MONTAJE FIJO

Instalación de los soportes de montaje fijo



3.4 Antes de la instalación: Orientación de las abrazaderas del montante MX2:

i **¡IMPORTANTE!** Antes de instalar las abrazaderas del montante MX2, se debe determinar la orientación de las abrazaderas.

Para una **configuración estándar**, las abrazaderas del montante (A) se ensamblan y montan en los montantes del respaldo en la orientación *más retrasada*. Esta configuración aumenta al máximo la profundidad del asiento disponible en la silla de ruedas; consulte la Fig. 2a.

Para una **configuración invertida***, las abrazaderas del montante (A) se giran 180° en los montantes del respaldo. Esta configuración reduce al mínimo la profundidad del asiento disponible y coloca el respaldo MX2 en una posición *más adelantada* si es necesario; consulte la Fig. 2b.

Las abrazaderas del montante (A) proporcionan **38 mm (1,5 pulg.)** de ajuste hacia delante o hacia atrás (con respecto al montante del respaldo) dependiendo de la configuración de montaje seleccionada.

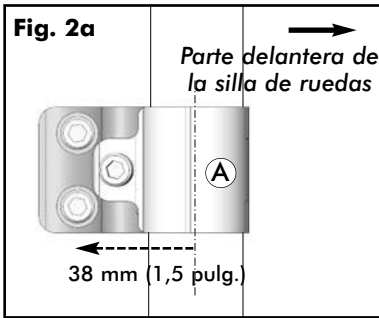
3.0 RESPALDO MX2 - INSTALACIÓN DE MONTAJE FIJO

3.4 Antes de la instalación: Orientación de las abrazaderas del montante MX2: ...continuación

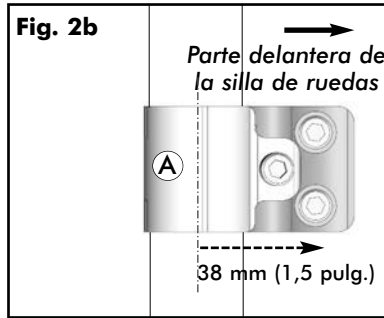
⚠ ¡ADVERTENCIA! Riesgo de lesiones graves

Cuando determine la posición de montaje final del respaldo Matrx® MX2 de Invacare®, asegúrese de que la estabilidad de la silla de ruedas no se vea comprometida. Al ajustar la posición hacia delante y hacia atrás del respaldo, alterará el centro de gravedad del usuario en la silla de ruedas. Una posición retrasada del respaldo puede reducir considerablemente la estabilidad trasera de la silla de ruedas. De igual modo, una posición más adelantada del respaldo reducirá la estabilidad delantera.

Orientación de las abrazaderas del montante MX2



Configuración estándar de las abrazaderas del montante
(profundidad máxima del asiento)



Configuración invertida de las abrazaderas del montante
(profundidad mínima del asiento)

3.5 Instalación de las abrazaderas del montante MX2:

Las abrazaderas del montante MX2 están diseñadas para permitir la instalación en montantes de respaldo de 25 mm (1 pulg.), 22 mm (7/8 pulg.) y 19 mm (3/4 pulg.) de diámetro. (Se suministran latiguillos de plástico (A) para dar cabida a montantes de respaldos de diámetros más pequeños*).

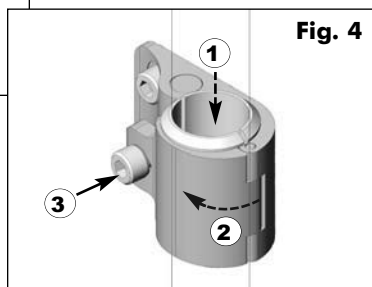
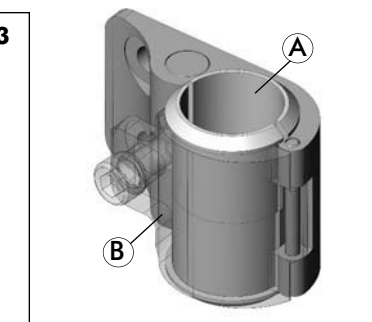
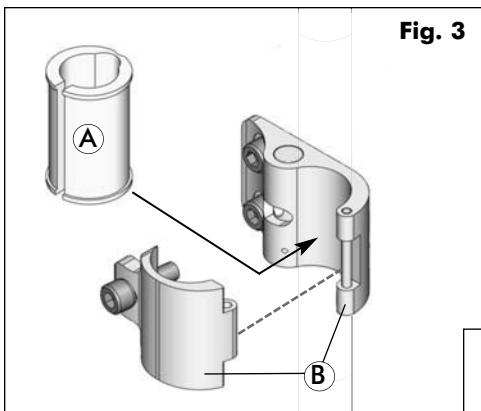
- 1 Retire el respaldo de la silla de ruedas (si procede).
- 2 Instale holgadamente el conjunto de abrazadera de montante (B) en cada montante del respaldo en la orientación deseada; consulte la Fig. 3 y la Fig. 4 para ver una descripción general de la instalación.

*Adaptación de montantes de respaldo de diferentes tamaños:

- montantes de 25 mm (1 pulg.) - No se necesitan latiguillos de plástico
- montantes de 22 mm (7/8 pulg.) - Instalar latiguillos de plástico de 22 mm (7/8 pulg.) (x2)
- montantes de 19 mm (3/4 pulg.) - Instalar latiguillos de plástico de 19 mm (3/4 pulg.) (x2)

3.0 RESPALDO MX2 - INSTALACIÓN DE MONTAJE FIJO

Instalación de las abrazaderas del montante MX2



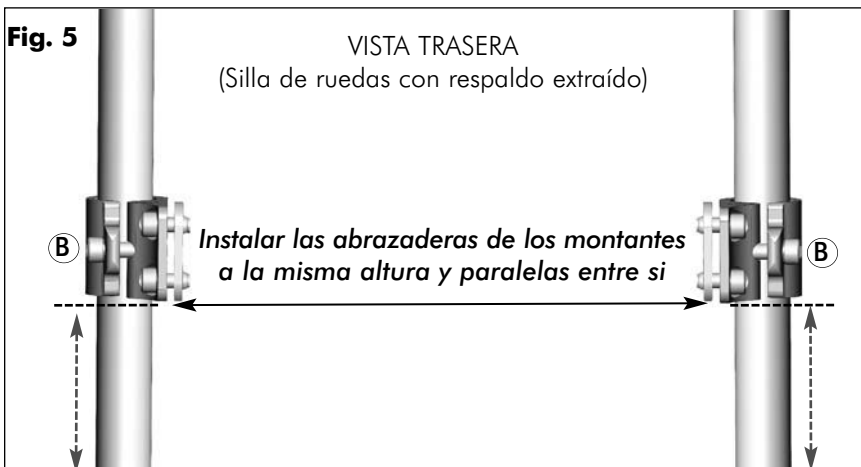
CONSEJO ÚTIL

Rocié una pequeña cantidad de laca para el pelo sobre los montantes del respaldo y en el interior de los latiguillos de plástico para crear una adherencia no deslizante segura.

- 3 Empezando por uno de los lados, deslice/ajuste el conjunto de abrazadera de montante (B) en la posición/altura deseadas a lo largo del montante del respaldo y apriételo firmemente en su lugar.

Nota: la altura final del respaldo puede ajustarse con más precisión tras la instalación de la estructura del respaldo MX2 en las abrazaderas del montante (consulte la Fig. 5).

Ajuste de la altura de las abrazaderas del montante MX2



3.0 RESPALDO MX2 - INSTALACIÓN DE MONTAJE FIJO

3.5 Instalación de las abrazaderas del montante MX2: (...continuación)

- 4 Desde un punto fijo de la silla de ruedas (por ejemplo, el chasis del asiento o la barra estabilizadora), mida la altura de la primera abrazadera de montante (B) y fije la segunda abrazadera de montante (B) a la misma altura en el montante contrario del respaldo (consulte la Fig. 5).

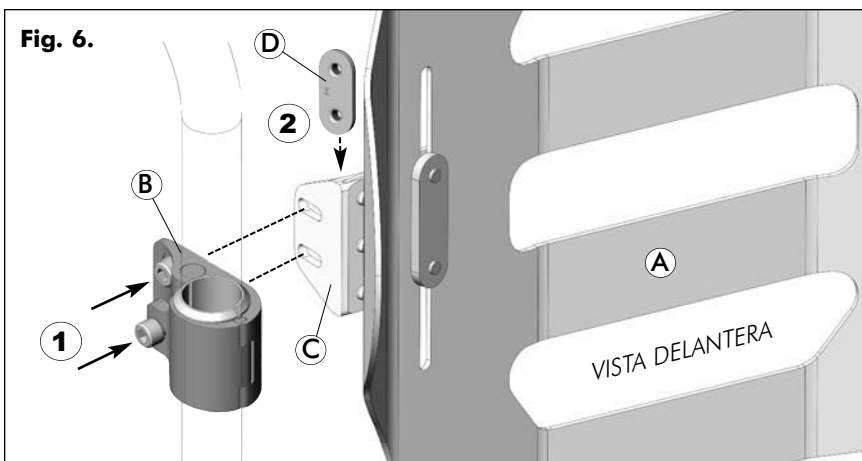
Nota: asegúrese de que las abrazaderas de los montantes instaladas estén alineadas en paralelo una respecto de la otra.

3.6 Instalación del respaldo MX2 en las abrazaderas de montante fijas:

- 1 Trabajando en uno de los lados de la estructura del respaldo, instale el respaldo Matrix MX2 (A) en las abrazaderas de montante* (consulte la Fig. 6):
- Alinee los 2 tornillos de montaje del conjunto de abrazadera de montante (B) con las ranuras correspondientes del soporte de montaje fijo MX2 (C) (1).
 - Sujete el conjunto de abrazadera de montante al soporte de montaje MX2 utilizando la placa de tuercas roscadas (D) suministrada (2).
 - Repita los pasos (1) y (2) para fijar la estructura del respaldo MX2 al montante del otro lado del respaldo.

***NOTA:** antes de instalar el respaldo Matrix MX2 en las abrazaderas de montante, los soportes de montaje fijo deben aflojarse ligeramente para ayudar a alinear e instalar la estructura del respaldo. Consulte la Sección 3.7 (Fig. 8) para obtener instrucciones más detalladas sobre el ajuste de la anchura/altura.

Instalación del respaldo MX2: Componentes de montaje FIJO



3.0 RESPALDO MX2 - INSTALACIÓN DE MONTAJE FIJO

3.7 Ajustes del respaldo de montaje fijo MX2:

¡ i i m p o r t a n t e ! Los soportes de montaje fijo MX2 están diseñados para instalarse en montantes de respaldo hasta **25 mm (1 pulg.) más anchos o 25 mm (1 pulg.) más estrechos** que la anchura nominal del respaldo. Para una configuración estándar, el respaldo MX2 debe instalarse simétricamente (centrado) entre los montantes del respaldo.

¡ i i m p o r t a n t e ! Para determinar de forma óptima las configuraciones de profundidad/altura/ángulo del respaldo, el usuario deberá sentarse en la silla de ruedas durante la configuración.

- 1 Con la estructura del respaldo MX2 instalada en la silla de ruedas (abrazaderas de montante), la profundidad, altura/anchura y ángulo finales del respaldo MX2 se pueden seguir ajustando para adaptarlas al usuario final:
 - i. **Ajuste de la profundidad:** La profundidad del respaldo MX2 (con respecto a los montantes del respaldo) se controla a través de dos ajustes diferentes:

Orientación de las abrazaderas del montante MX2: (consulte también la Sección 3.4)

La orientación de las abrazaderas de montante MX2 (instalación más adelantada o instalación más retrasada) colocará la estructura del respaldo (+/- 38 mm [1,5 pulg.]) con respecto a los montantes del respaldo (1). Consulte la Fig. 7a.

El rango máximo del ajuste de profundidad hacia delante y hacia atrás de los componentes de montaje fijo MX2 = 76 mm (3 pulg.) (+/- 38 mm [1,5 pulg.]).

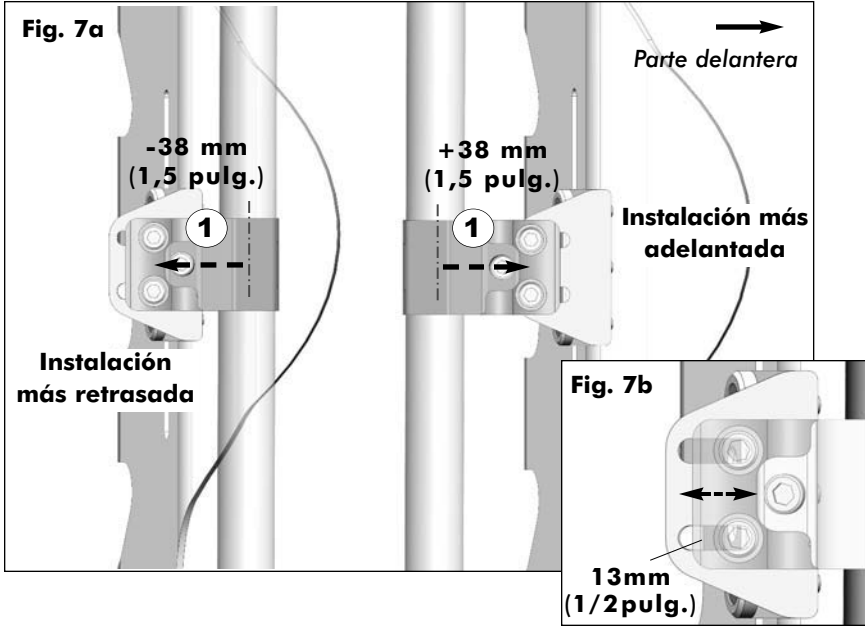
Placas de montaje MX2:

Los canales ranurados de las placas de montaje MX2 permiten hasta 13 mm (1/2 pulg.) de ajuste de profundidad (2) dentro del rango de ajuste máximo. Consulte la Fig. 7b.
 - ii. **Ajuste de la anchura/altura:** Con el fin de dar cabida a las variaciones en las anchuras de los montantes del respaldo, se pueden realizar ajustes precisos de anchura a través de las ranuras horizontales de los soportes de montaje MX2 (1). La altura del respaldo MX2 (con respecto a las abrazaderas del montante) se puede ajustar por medio de las ranuras verticales de la estructura del respaldo MX2 (2). La longitud de ranura (ajuste de altura) variará dependiendo del tamaño (altura) de la estructura del respaldo. Consulte las Fig. 8a y 8b.
 - iii. **Ajuste del ángulo:** Se pueden realizar ajustes del ángulo del respaldo de $\pm 15^\circ$ mediante el giro de la estructura del respaldo hacia delante (1) o hacia atrás (2) dentro de los canales ranurados de los soportes de montaje MX2. Consulte la Fig. 9.
- 2 Compruebe que la alineación, ajuste y comodidad generales del respaldo en la silla de ruedas sean correctos para el usuario. Realice ajustes adicionales según sea necesario.
- 3 Fije/apriete completamente todos los componentes de instalación/montaje y asegúrese de que los soportes de montaje/abrazaderas de los montantes MX2 no se deslicen ni giren fuera de su posición.

3.0 RESPALDO MX2 - INSTALACIÓN DE MONTAJE FIJO

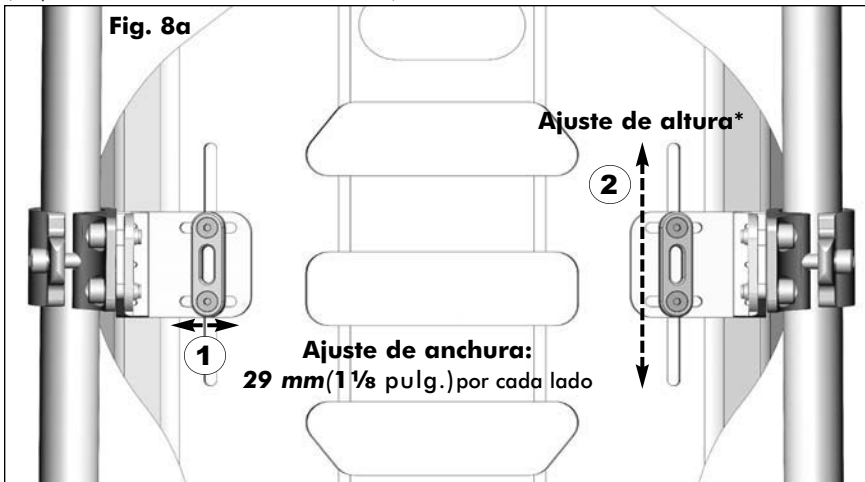
i iMPORTANTE! A menos que se requiera lo contrario, **todos** los ajustes de profundidad, altura y ángulo deben realizarse simétricamente en las placas de montaje izquierda y derecha.

Montaje fijo MX2: Ajuste de PROFUNDIDAD



Montaje fijo MX2: Ajuste de ANCHURA/ALTURA

(respecto a la abrazadera del montante)



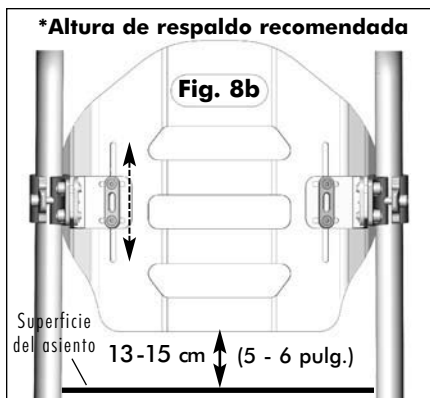
3.0 RESPALDO MX2 - INSTALACIÓN DE MONTAJE FIJO

*NOTA: el rango de Ajuste de altura del respaldo MX2 varía en función de la altura (longitud de ranura) de la estructura del respaldo MX2; consulte la **Tabla 1.0**.

Tabla 1.0:
Ajuste (ranura) de altura MX2

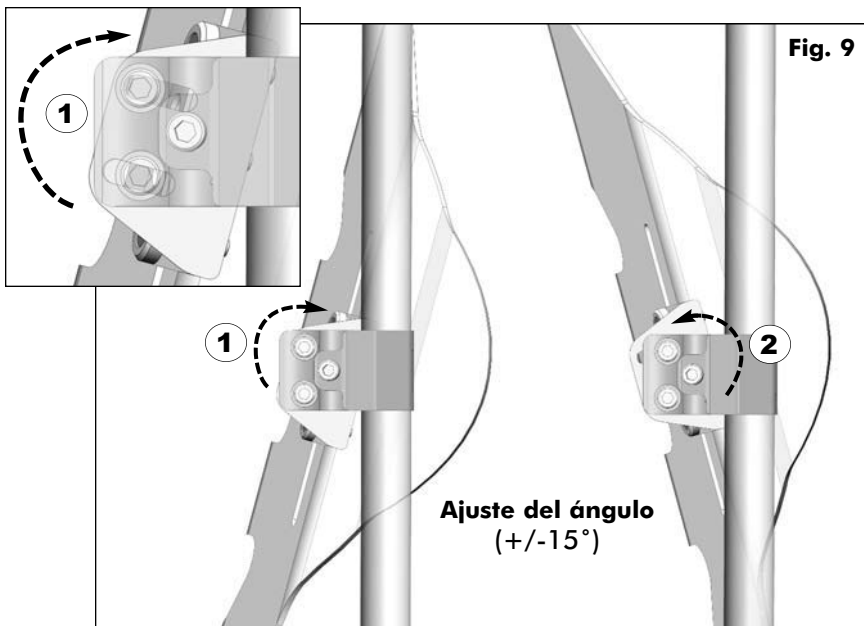
Altura de estructura del respaldo	Rango de ajuste
150 mm (6 pulg.)	13 mm (1/2 pulg.)
230 mm (9 pulg.)	51 mm (2 pulg.)
310 mm (12 pulg.)	51 mm (2 pulg.)
410 mm (16 pulg.)	89 mm (3,5 pulg.)

*Nota: la altura recomendada del respaldo MX2 se ofrece únicamente como guía. Pueden ser necesarias ligeras variaciones; consulte la nota **¡importante!** siguiente.



¡ IMPORTANTE! Asegúrese siempre de que la parte inferior del respaldo esté colocada anatómicamente por debajo de la columna ilíaca posterosuperior (CIPS). Si tiene alguna pregunta o preocupación relativa a la altura adecuada del respaldo, póngase en contacto con su proveedor o profesional sanitario para obtener el asesoramiento adecuado.

Montaje fijo MX2: Ajuste del ÁNGULO DEL RESPALDO



4.0 RESPALDO MX2 - INSTALACIÓN DE MONTAJE EXTRAÍBLE

4.1 Kit de componentes de montaje extraíble (liberación rápida):

i) Conjunto del soporte de montaje LR (se instala en la estructura del respaldo MX2):

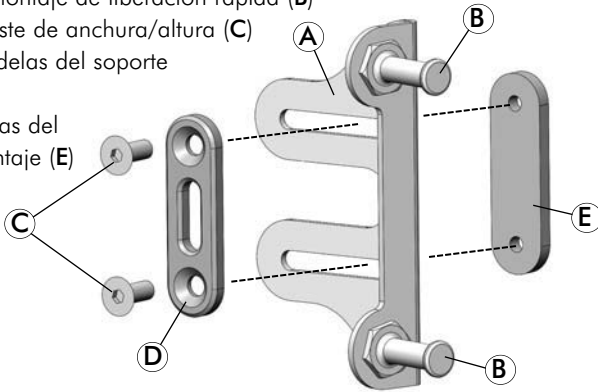
2 - Soportes de montaje LR MX2 (A)

4 - Pasadores de montaje de liberación rápida (B)

4 - Tornillos de ajuste de anchura/altura (C)

2 - Placas de arandelas del soporte de montaje (D)

2 - Placas de tuercas del soporte de montaje (E)



(Se muestra el conjunto derecho)

ii) Conjunto de abrazaderas del montante (se instala en los montantes de respaldo de la silla de ruedas):

2 - Placas de montaje mini (F)

2 - Abrazadera del montante (G)

2 - Latiguillos de montante 22 mm (7/8 pulg.) (H)

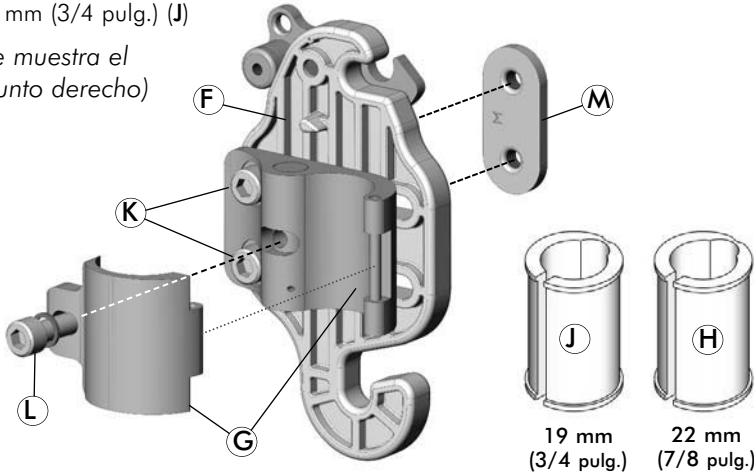
2 - Latiguillos de montante 19 mm (3/4 pulg.) (J)

4 - Tornillos de ajuste de profundidad/ángulo (K)

2 - Tornillos de abrazadera de montante (L)

2 - Placas de tuercas de abrazadera de montante (M)

(Se muestra el conjunto derecho)



4.0 RESPALDO MX2 - INSTALACIÓN DE MONTAJE EXTRAÍBLE

4.2 Herramientas necesarias

Llave Allen (4 mm/5 mm) (suministrada)

Cinta métrica/regla

! TENGA EN CUENTA QUE

Si algún componente de montaje suministrado faltara o no se encontrara en el lugar correcto, póngase en contacto con el representante local de Invacare/Motion Concepts para conseguir las piezas de repuesto necesarias.

4.3 Instalación de los soportes de montaje de liberación rápida MX2:

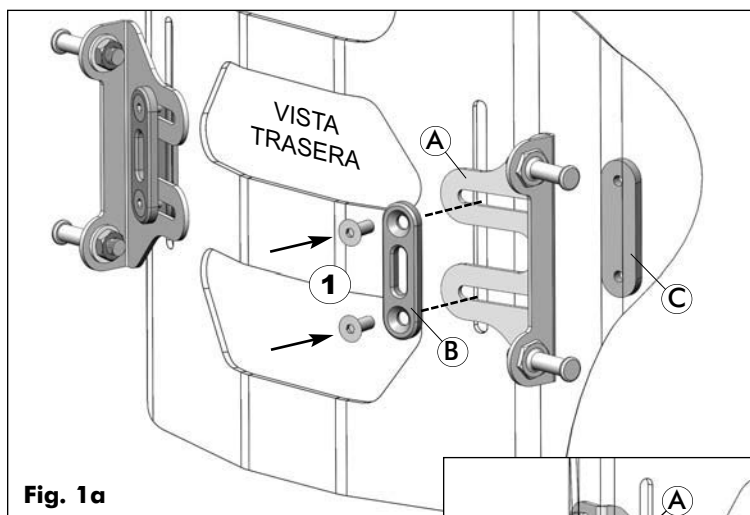
i **NOTA:** antes de la instalación de los soportes de montaje de liberación rápida (LR)

Abra los cierres de velcro situados a lo largo de los bordes superior e inferior y en el interior de la estructura del respaldo para extraer cuidadosamente la funda MX2.

- 1 Trabajando en uno de los lados de la estructura del respaldo, instale el soporte de montaje de liberación rápida (**A**) en la estructura del respaldo MX2 del modo siguiente:
 - Alinee la placa de arandelas (**B**) con las ranuras del soporte de montaje (**A**) e inserte los tornillos a través de ambos componentes (**1**); (consulte la **Fig. 1a** [p. 18]).
 - Desde la parte posterior de la estructura del respaldo, instale los 2 tornillos que sobresalen del soporte de montaje a través de la ranura vertical de la estructura del respaldo MX2 (**2**); (consulte la **Fig. 1b**).
 - Para sujetar el soporte de montaje a la estructura del respaldo Mx2, apriete los tornillos en la placa de tuercas (**D**) de la parte frontal (interior) de la estructura del respaldo (**3**); (consulte la **Fig. 1b**).
- 2 Instale el soporte de montaje de liberación rápida restante (**A**) en el lado contrario de la estructura del respaldo (siguiendo el **Paso 1** anterior).

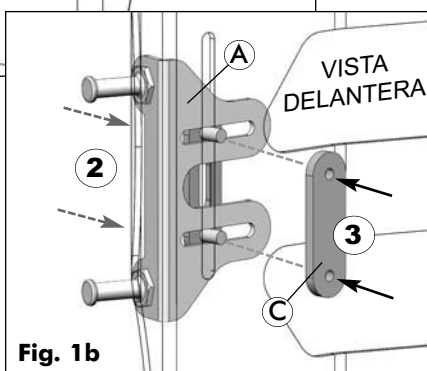
4.0 RESPALDO MX2 - INSTALACIÓN DE MONTAJE EXTRAÍBLE

Instalación de los soportes de montaje de liberación rápida



CONSEJO ÚTIL

Los soportes/componentes de montaje de liberación rápida se pueden montar holgadamente en la estructura del respaldo MX2 para ayudar a alinear los soportes (anchura/altura) durante la instalación en las placas de montaje MX2.



4.4 Antes de la instalación: Orientación de las abrazaderas del montante MX2

ⓘ ¡IMPORTANTE! Antes de instalar los conjuntos de abrazadera del montante MX2, se debe determinar la orientación de las abrazaderas.

⚠ ¡ADVERTENCIA! Riesgo de lesiones graves

Cuando determine la posición de montaje final del respaldo Matrix® MX2 de Invacare®, asegúrese de que la estabilidad de la silla de ruedas no se vea comprometida. Al ajustar la posición hacia delante y hacia atrás del respaldo, alterará el centro de gravedad del usuario en la silla de ruedas. Una posición retrasada del respaldo puede reducir considerablemente la estabilidad trasera de la silla de ruedas. De igual modo, una posición más adelantada del respaldo reducirá la estabilidad delantera.

4.0 RESPALDO MX2 - INSTALACIÓN DE MONTAJE EXTRAÍBLE

Para una **configuración estándar**, las abrazaderas del montante MX2 (A) y las placas de montaje (B) se ensamblan y montan en los montantes del respaldo en la orientación *más retrasada*. Esta configuración aumenta al máximo la profundidad del asiento disponible en la silla de ruedas; consulte la **Fig. 2**.

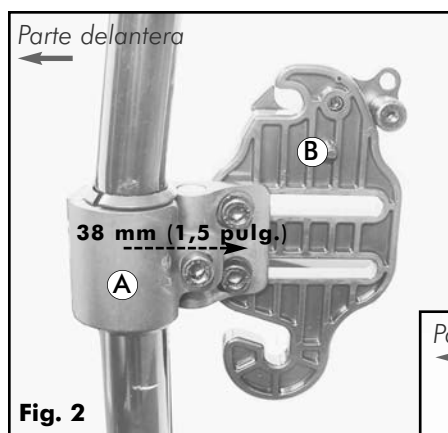
Para una **configuración invertida***, las abrazaderas del montante (A) se giran 180° en los montantes del respaldo. Esta configuración reduce al mínimo la profundidad del asiento disponible y coloca el respaldo MX2 en una posición *más adelantada* si es necesario; consulte la **Fig. 3**.

Las abrazaderas del montante (A) proporcionan **38 mm (1,5 pulg.)** de ajuste hacia delante o hacia atrás (con respecto al montante del respaldo) dependiendo de la configuración de montaje seleccionada.

Nota: consulte la **Sección 4.8** para obtener instrucciones más detalladas sobre los ajustes de profundidad de montaje extraíble MX2.

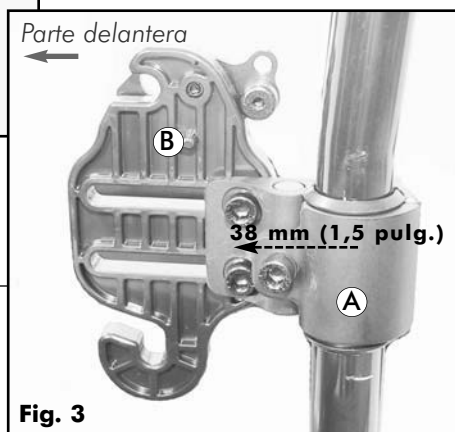
***Para invertir la placa de montaje/abrazadera de montante a la posición más adelantada:**

- 1 Desmonte la placa de montaje (B) de la abrazadera del montante (A) (2 tornillos).
- 2 Gire la abrazadera del montante (A) 180° y, a continuación, vuelva a montar la placa de montaje (B) en la misma orientación (tal como se muestra en la **Fig. 3**).



Configuración estándar de las abrazaderas del montante
(profundidad máxima del asiento)

Configuración invertida de las abrazaderas del montante
(profundidad mínima del asiento)



4.0 RESPALDO MX2 - INSTALACIÓN DE MONTAJE EXTRAÍBLE

4.5 Instalación de la abrazadera del montante/placa de montaje MX2:

Las abrazaderas del montante MX2 están diseñadas para permitir la instalación en montantes de respaldo de 25 mm (1 pulg.), 22 mm (7/8 pulg.) y 19 mm (3/4 pulg.) de diámetro. (Se suministran latiguillos de plástico (A) para dar cabida a montantes de respaldo de diámetros más pequeños*).

- 1 Retire el respaldo de la silla de ruedas (si procede).
- 2 Instale holgadamente el conjunto de abrazadera de montante (B) en cada montante del respaldo en la orientación deseada; consulte la Fig. 4 y la Fig. 5 para ver una descripción general de la instalación.

***Adaptación de montantes de respaldo de diferentes tamaños:**
montantes de 25 mm (1") - No se necesitan latiguillos de plástico
montantes de 22 mm (7/8 pulg.) - Instalar latiguillos de plástico de 22 mm (7/8 pulg.) (x2)
montantes de 19 mm (3/4 pulg.) - Instalar latiguillos de plástico de 19 mm (3/4 pulg.) (x2)

Instalación de las abrazaderas del montante MX2

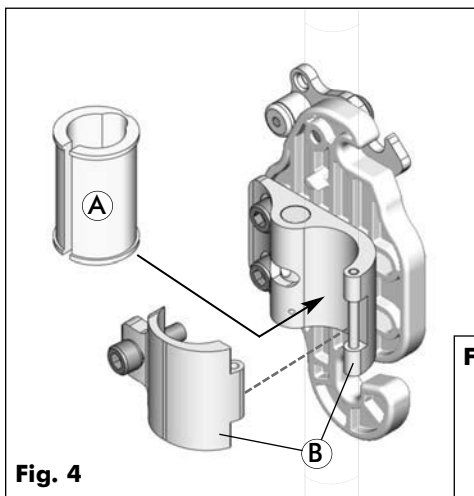


Fig. 4

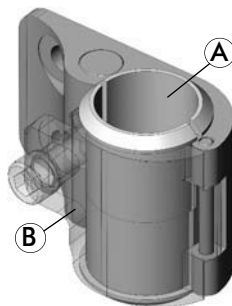
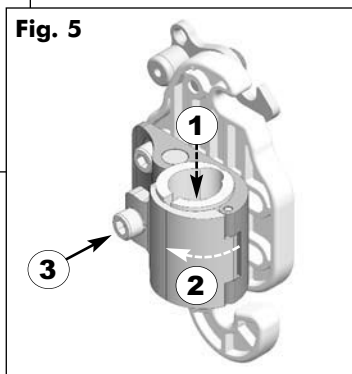


Fig. 5



CONSEJO ÚTIL

Rocíe una pequeña cantidad de laca para el pelo sobre los montantes del respaldo y en el interior de los latiguillos de plástico para crear una adherencia no deslizante segura.

4.0 RESPALDO MX2 - INSTALACIÓN DE MONTAJE EXTRAÍBLE

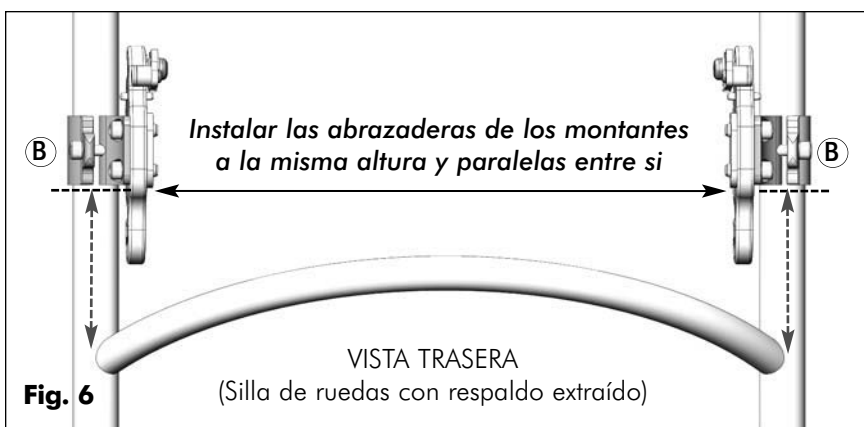
- 3 Empezando por uno de los lados, deslice/ajuste el conjunto de abrazadera de montante (B) en la posición/altura deseadas a lo largo del montante del respaldo y sujételo en su lugar.

Nota: La altura final del respaldo puede ajustarse con más precisión tras la instalación de la estructura del respaldo MX2 en las placas de montaje.

- 4 Desde un punto fijo de la silla de ruedas (por ejemplo, el chasis del asiento o la barra estabilizadora), mida la altura del primer conjunto de abrazadera del montante y fije la segunda abrazadera del montante a la misma altura en el montante contrario del respaldo (consulte la Fig. 6 siguiente).

Nota: Asegúrese de que las abrazaderas de los montantes/placas de montaje instaladas están alineadas en paralelo una respecto de la otra.

Ajuste de la altura de las abrazaderas del montante/placas de montaje MX2



4.6 Instalación del respaldo MX2 en los componentes de liberación rápida

⚠ ¡ADVERTENCIA! La instalación incorrecta de los pasadores de montaje puede ocasionar daños en la estructura del respaldo o las placas de montaje. Asegúrese de dejar espacio suficiente entre las placas de montaje y la cabeza de los pasadores de montaje (se recomienda dejar una distancia mínima de 3 mm [1/8"]).

⚠ ¡ADVERTENCIA! NUNCA utilice Loctite en los componentes de montaje; los componentes no metálicos pueden degradarse y volverse frágiles (romperse) si se contaminan.

📌 ¡IMPORTANTE! A menos que se requiera lo contrario, asegúrese siempre de que los ajustes se realicen **simétricamente** en los soportes de montaje izquierdo y derecho.

4.0 RESPALDO MX2 - INSTALACIÓN DE MONTAJE EXTRAÍBLE

¡ IMPORTANTE! Tenga en cuenta que al aflojar los soportes de montaje LR (A) se ajustarán simultáneamente la **anchura y la altura** del respaldo MX2. Lea atentamente **todas las instrucciones** antes de comenzar la instalación. Durante la instalación se recomienda realizar ajustes en los soportes de montaje de uno en uno.

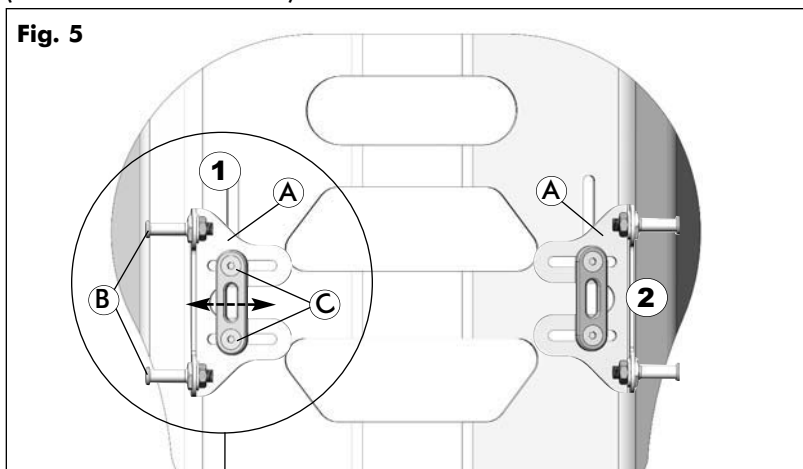
! TENGA EN CUENTA QUE

Cada soporte de montaje de liberación rápida (A) se entrega con los pasadores de montaje (B) preinstalados y está diseñado con ranuras de anchura ajustables que permiten instalar el respaldo MX2 en montantes de respaldo hasta **25 mm (1") más anchos o 25 mm (1 pulg.) más estrechos** que la anchura nominal del respaldo.

- 1 Antes de instalar el respaldo Matrx[®] MX2 de Invacare[®]: (Consulte la Fig. 5)
 - i. Trabajando en un solo lado, afloje ligeramente la placa de arandelas y los componentes del soporte de montaje (C) de forma que el soporte de montaje LR (A) y los pasadores de montaje (B) se puedan ajustar hacia dentro o hacia fuera (**1**) (según sea necesario) para alinearlos con las placas de montaje del soporte del montante; consulte el **Paso 2. (Fig. 6a/6b)**
 - ii. Deje el conjunto de soporte de montaje LR (contrario) restante sujeto a la estructura del respaldo MX2 (**2**).

Alineación de los pasadores/soportes de montaje LR (antes de la instalación)

Fig. 5



Aflojar conjunto de soporte de montaje (un solo lado)

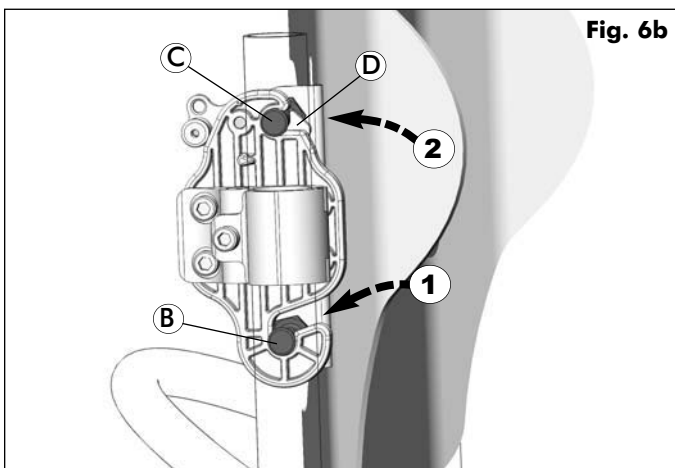
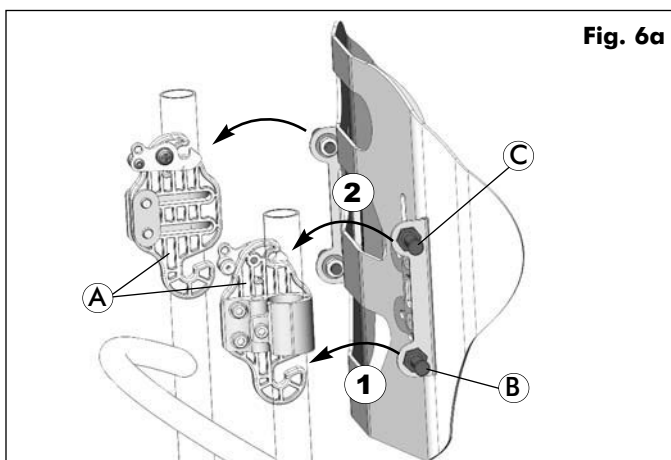
4.0 RESPALDO MX2 - INSTALACIÓN DE MONTAJE EXTRAÍBLE

2 Instale el respaldo MX2 en las placas de montaje (A) del modo siguiente: (Consulte las Fig. 6a y 6b).

- i. Alinee e inserte los pasadores de montaje inferiores (B) en las ranuras de enganche situadas en la parte inferior de cada placa de montaje (1).
- ii. Una vez colocados los pasadores inferiores, bloquee/encaje los pasadores de montaje superiores (C) en el mecanismo de cierre de seguridad (D) situado en la parte superior de cada placa de montaje (2).

⚠ ¡ADVERTENCIA! Cuando instale el respaldo MX2, asegúrese siempre de que ambos mecanismos de cierre de seguridad (D) estén completamente enganchados alrededor de los pasadores de montaje superiores.

Instalación del respaldo MX2 en las placas de montaje



4.0 RESPALDO MX2 - INSTALACIÓN DE MONTAJE EXTRAÍBLE

4.7 Respaldo MX2: Ajustes de anchura y altura

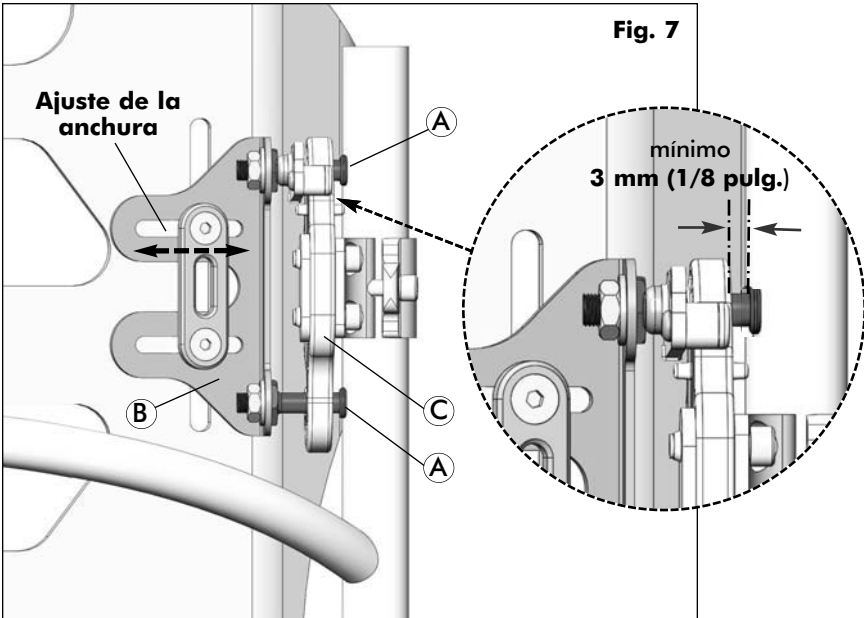
i **¡IMPORTANTE!** Tenga en cuenta que los ajustes de **anchura y altura** en el respaldo MX2 se realizan de forma simultánea. Durante la instalación, es aconsejable realizar los ajustes en un soporte cada vez y sujetando cada soporte solo lo justo para evitar que se deslice después de cada ajuste. Los componentes de montaje se pueden apretar por completo cuando finalice la instalación/configuración.

1 **Ajuste de la anchura de los pasadores de montaje:** Con el respaldo MX2 enganchado en las placas de montaje, ajuste la anchura del pasador de montaje (A) en cada soporte de montaje (B) de forma que quede un **espacio mínimo de 3 mm (1/8 pulg.)** entre la cabeza de los pasadores de montaje y el exterior de la placa de montaje (C)*. (Consulte la Fig. 7).

***NOTA:** para una configuración estándar del respaldo MX2, la estructura del respaldo debe permanecer centrada entre los montantes del respaldo después de un ajuste de anchura. (Los soportes de montaje se deben ajustar simétricamente en la estructura del respaldo.)

2 Apriete ambos conjuntos de soporte de montaje justo lo suficiente para evitar que se deslicen.

Instalación de MX2: Configuración/ajuste de la anchura de los pasadores de montaje



4.0 RESPALDO MX2 - INSTALACIÓN DE MONTAJE EXTRAÍBLE

- 3 **Ajuste de la altura de MX2:** La altura del respaldo MX2 se puede ajustar cuando sea necesario, a través del canal ranurado de la estructura del respaldo MX2 (consulte la Fig. 8a). La altura recomendada del respaldo * es aproximadamente de **13-15 cm (5-6 pulg.)** desde la parte superior de la **superficie del asiento** (cojín o estructura del asiento; consulte la Fig. 8b).
- 4 Trabajando en un lado cada vez, afloje los componentes del soporte de montaje (A) y deslice la estructura del respaldo MX2 hacia arriba o hacia abajo hasta que logre la altura de respaldo deseada. **NOTA:** el rango de **Ajuste de altura del respaldo MX2** varía en función de la altura (longitud de ranura) de la estructura del respaldo MX2; consulte la **Tabla 1.0**.
- 5 Apriete la placa/componentes del soporte de montaje (A) para sujetar el respaldo MX2 en su lugar, asegurándose de mantener la posición/anchura correctas de los pasadores de montaje (según la Fig. 7). Repita el mismo ajuste de altura del respaldo en el soporte de montaje contrario.
- 6 Una vez finalizados todos los ajustes de anchura y altura, sujete completamente **todos** los componentes.

Nota: la altura recomendada del respaldo MX2 se ofrece únicamente como guía. Pueden ser necesarias ligeras variaciones; consulte la nota **¡importante! siguiente.*

Instalación de MX2: Ajuste de la altura del respaldo

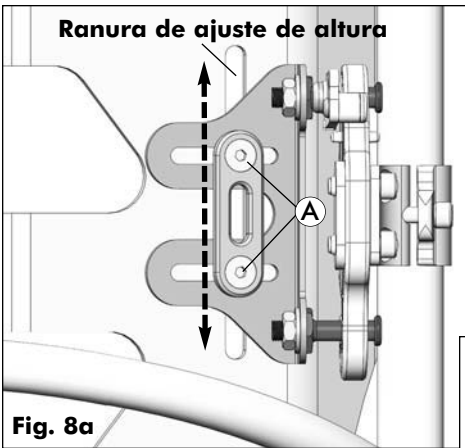


Fig. 8a

Tabla 1.0:
Ajuste (ranura) de altura MX2

Altura de estructura del respaldo	Rango de ajuste
150 mm (6 pulg.)	13 mm (1/2 pulg.)
230 mm (9 pulg.)	51 mm (2 pulg.)
310 mm (12 pulg.)	51 mm (2 pulg.)
410 mm (16 pulg.)	89 mm (3,5 pulg.)

¡ IMPORTANTE!

Asegúrese siempre de que la parte inferior del respaldo esté colocada anatómicamente por debajo de la columna ilíaca posterosuperior (CIPS). Si tiene alguna pregunta o preocupación relativa a la altura adecuada del respaldo, póngase en contacto con su proveedor o profesional sanitario para obtener el asesoramiento adecuado.

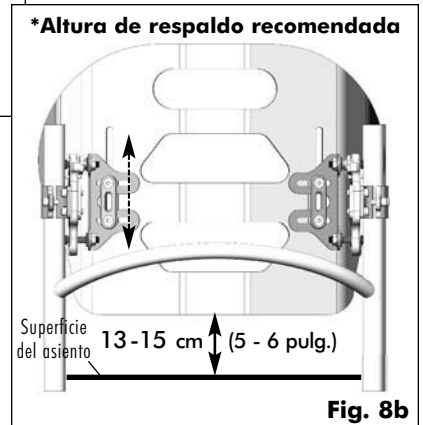


Fig. 8b

4.0 RESPALDO MX2 - INSTALACIÓN DE MONTAJE EXTRAÍBLE

4.8 Respaldo MX2: Ajustes de ángulo y profundidad

i **¡IMPORTANTE!** Tenga en cuenta que los ajustes de **ángulo** y **profundidad** en el respaldo MX2 se realizan también de forma simultánea. Estos dos ajustes se realizan con más facilidad si primero se aflojan los componentes de ajuste en ambos conjuntos de abrazaderas. (*Nota: para una instalación estándar, los ajustes de profundidad y ángulo deben realizarse simétricamente en ambas placas de montaje.*)

- 1 **Ajuste del ángulo de MX2:** Si es necesario, el ángulo del respaldo MX2 se puede ajustar mediante los dos tornillos de ajuste de profundidad/ángulo (A) de cada conjunto de abrazadera de montaje (B) (consulte la Fig. 9a).
- 2 Afloje los tornillos de ajuste de profundidad/ángulo (x2) de cada conjunto de abrazadera de montaje y gire la placa de montaje (C) hacia delante o hacia atrás para lograr el ángulo de respaldo deseado (**rango de ajuste del ángulo = $\pm 15^\circ$** ; consulte la Fig. 9b).

Instalación de MX2: Ajuste del ángulo del respaldo

Fig. 9a

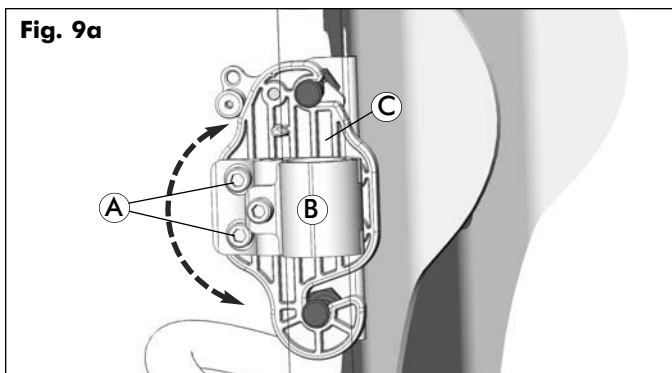
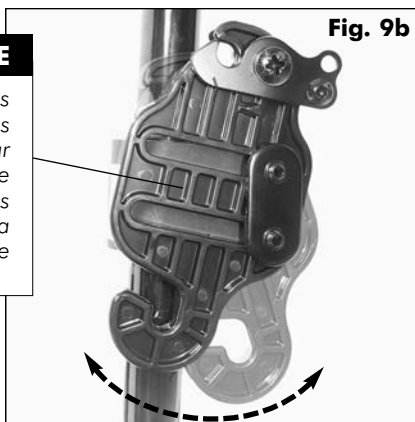


Fig. 9b

! TENGA EN CUENTA QUE

Las líneas verticales moldeadas de las placas de montaje están diseñadas como punto de referencia para ayudar a realizar ajustes simétricos. Cuando se ajuste el ángulo del respaldo MX2, las líneas verticales pueden usarse para ayudar a definir el mismo ajuste de ángulo en ambas placas de montaje.



Ajuste del ángulo ($\pm 15^\circ$)

4.0 RESPALDO MX2 - INSTALACIÓN DE MONTAJE EXTRAÍBLE

- 3 **Ajuste de profundidad de MX2:** La profundidad general del respaldo MX2 se controla a través de dos ajustes diferentes:

Orientación de las abrazaderas del montante MX2: (consulte también la Sección 4.4)

Las abrazaderas del montante MX2 (B) se pueden montar en la orientación estándar (hacia atrás) o en una orientación invertida (hacia delante) para profundidades de asiento más cortas (consulte la Fig. 10).

En la **instalación más retrasada (1)**, la profundidad del respaldo = -44 mm (1,75 pulg.).

En la **instalación más adelantada (2)**, la profundidad del respaldo = +57 mm (2,25 pulg.).

(Nota: las mediciones son relativas a los montantes del respaldo y se realizan con respecto a la posición de los pasadores de montaje).

El rango máximo del ajuste de profundidad hacia delante y hacia atrás (desde la instalación más atrasada hasta la instalación más adelantada) = 108 mm (4,25 pulg.).

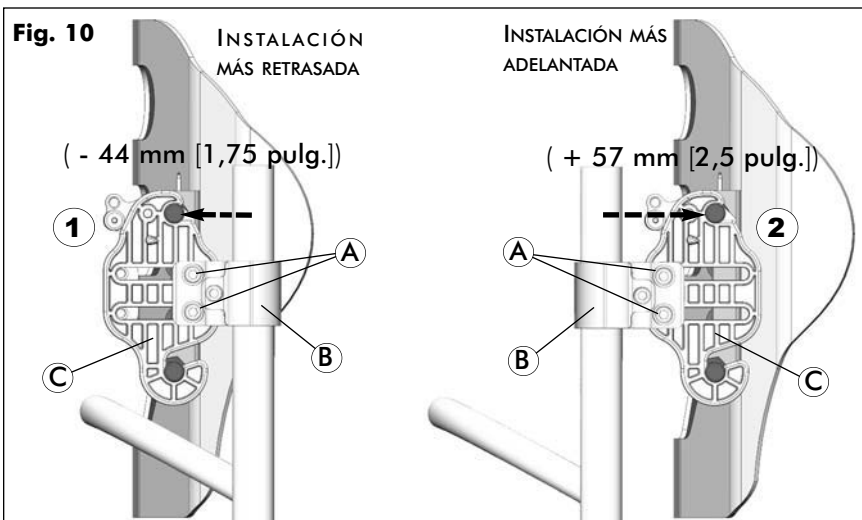
Ajuste de profundidad de las placas de montaje de MX2*:

Los canales ranurados de las placas de montaje MX2 (C) permiten hasta 44 mm (1,75 pulg.) de ajuste de profundidad dentro del rango de ajuste máximo (consulte la Fig. 11 (p.28)).

*NOTA: el rango de ajuste de profundidad de las placas de montaje disponible estará más limitado cuando se altere el ángulo del respaldo MX2.

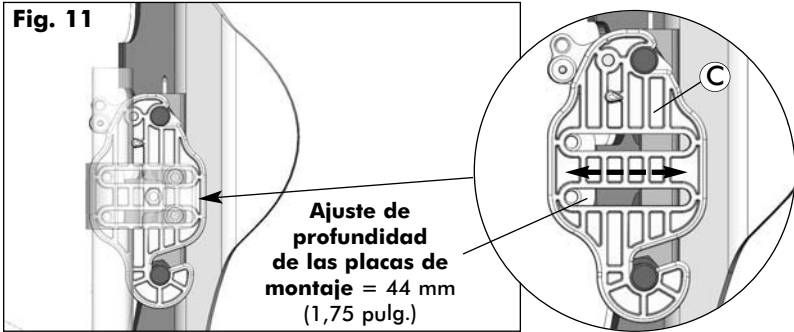
- 4 Para realizar el ajuste, afloje los dos tornillos de ajuste (A) de cada conjunto de abrazadera del montante y deslice las placas de montaje (C) hacia delante o hacia atrás por medio de las ranuras de ajuste para lograr la profundidad de respaldo deseada.
- 5 Una vez finalizados todos los ajustes de ángulo y profundidad, sujete completamente todos los componentes.

Instalación de MX2: Ajuste de profundidad del respaldo



4.0 RESPALDO MX2 - INSTALACIÓN DE MONTAJE EXTRAÍBLE

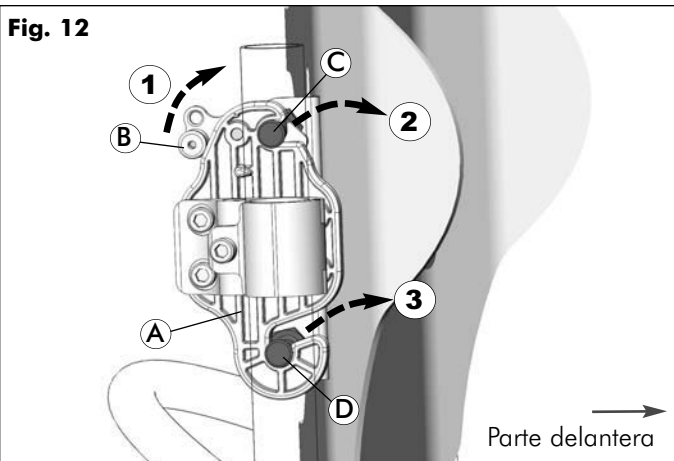
Instalación de MX2: Ajuste de profundidad del respaldo



4.9 Retirada del respaldo MX2 de los componentes LR

- 1 Retire/desenganche el respaldo MX2 de las placas de montaje (A) del modo siguiente (consulte la **Fig. 12** siguiente):
 - i. Estando de pie detrás de la silla de ruedas, levante **simultáneamente** el mecanismo de liberación del cierre de seguridad (B) de ambas placas de montaje (1).
 - ii. Con los cierres de seguridad abiertos, empuje la parte superior del respaldo MX2 hacia delante (2) para desenganchar los pasadores de montaje superiores (C) de las placas de montaje (A).
 - iii. Con los pasadores superiores desenganchados, levante el respaldo MX2 hacia arriba y hacia delante (3) para liberar los pasadores de montaje inferiores (D) de las placas de montaje.

Retirada/desenganche del respaldo MX2



5.0 CUIDADO Y MANTENIMIENTO

5.1 Cuidado y lavado:

i ¡IMPORTANTE! Todos los productos de limpieza y desinfectantes empleados deben ser eficaces y compatibles entre si y deben proteger los materiales que van a limpiar.



¡PRECAUCIÓN! Riesgo de daños en el producto

NO utilice productos de limpieza que contengan lejía, fenoles o alcoholes.

Cuidado y limpieza generales:

La funda puede limpiarse fácilmente con un paño húmedo cuando sea necesario.

Instrucciones de lavado (funda exterior):

1. Abra los cierres de velcro situados a lo largo de los bordes superior e inferior y en el interior de la estructura del respaldo para extraer cuidadosamente la funda.

NOTA: antes del lavado, se debe quitar el cojín de espuma interior.

2. Lave la funda en lavadora a 60 °C con un programa para ropa delicada (consulte las instrucciones en la etiqueta).

i ¡IMPORTANTE! El lavado a temperaturas más elevadas puede hacer que se encoja.

3. Tienda la funda para que se escurra en un entorno de interior limpio.



Séquela en la secadora a baja temperatura.

i ¡IMPORTANTE!

- La temperatura de la secadora no debe superar los 40 °C.
- No la seque en la secadora durante más de 10 minutos.
- Seque bien la funda antes de volver a colocarla en la espuma.
- No la planche.
- No la limpie en seco.

5.2 Mantenimiento y revisión:

Mensualmente: realice una inspección visual de las piezas, incluidos los componentes, los soportes, el material de tapicería, las espumas y los plásticos por si presentan síntomas de deformación, corrosión, daños, desgaste o aplastamiento.



¡ADVERTENCIA! Riesgo de daños o lesiones

Examine TODOS los cierres semanalmente para asegurarse de que las conexiones mecánicas y los componentes de sujeción están convenientemente fijados.

NO siga usando este producto si detecta algún problema. El proveedor del equipo podrá emprender o disponer las acciones correctivas oportunas.

6.0 OPCIONES DE MX2

6.1 (Opcional) Instalación/ajuste del soporte lumbar

! TENGA EN CUENTA QUE

El **soporte lumbar** es un relleno de espuma prefabricado que proporciona soporte para la parte inferior de la espalda con el fin de aumentar la comodidad. La posición del relleno lumbar puede ajustarse dentro de la funda Matrx® MX2 de Invacare® (consulte las instrucciones siguientes) o quitarse si no se desea soporte lumbar.

1. Para tener acceso al soporte lumbar, abra las tiras de velcro de la funda exterior A situadas en la parte inferior del reverso de la estructura del respaldo.
2. El soporte lumbar de espuma B se coloca dentro de la funda Matrx® MX2 de Invacare® entre el respaldo de espuma C y la estructura del respaldo D.
3. El soporte lumbar puede ajustarse en cualquier posición o altura.
4. Vuelva a sujetar la funda a la estructura del respaldo (con las tiras de velcro).

Soporte lumbar



***NOTA:** la espuma del soporte lumbar se puede recortar o modificar según las necesidades del usuario final.



ajustar la posición del soporte lumbar según sea necesario o quitarlo por completo

6.0 OPCIONES DE MX2

6.2 (Opcional) protección de privacidad (se vende por separado)

Tiene a su disposición **protecciones de privacidad** (se venden por separado) para utilizar con los respaldos MX2 de tamaño estándar. Todos los respaldos de tamaño estándar incluyen una tira de velcro precosida a lo largo de la parte inferior trasera de la funda del cojín para poder colocar la protección de privacidad.

Consulte en la tabla el tamaño adecuado de la protección de privacidad para el respaldo MX2.

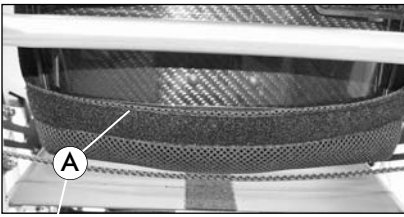
ANCHURA	PROTECCIÓN DE PRIVACIDAD
36 cm (14 pulg.)	PFLAP-XS 26 cm x 41 cm (10 pulg. x 16 pulg.)
38 cm (15 pulg.)	PFLAP-S 33 cm x 41 cm (13 pulg. x 16 pulg.)
41 cm (16 pulg.)	
43 cm (17 pulg.)	PFLAP-M 38 cm x 41 cm (15 pulg. x 16 pulg.)
46 cm (18 pulg.)	



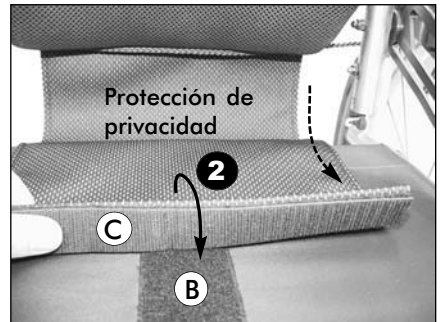
Instrucciones de instalación:

1. Quite el cojín del asiento de la silla de ruedas (si está colocado).
2. Compruebe que el respaldo esté ajustado en la altura deseada. (Consulte la Sección 4.0, Figura 8.)
3. Estando de pie detrás de la silla de ruedas (y mirando hacia el frente), alinee/enganche la tira de velcro de la protección de privacidad a la tira de velcro cosida a la parte inferior trasera de la funda del respaldo MX2 (A). (Consulte el Paso 1 siguiente).
4. Estire el extremo opuesto (no enganchado) de la protección de privacidad a través del hueco que hay entre la estructura del respaldo inferior y el asiento de la silla de ruedas.
5. Pegue la tira de velcro de la protección de privacidad a la tira de velcro preexistente* (B) del asiento de eslingas o estructura del asiento de la silla de ruedas. (Consulte el Paso 2 siguiente).

***NOTA:** si el asiento de la silla de ruedas tiene una tira de velcro que coincide, sujete la protección de privacidad por medio de la tira de adaptador de doble cara (C) suministrada.



VISTA TRASERA



VISTA DELANTERA

matrix[®]
SEATING SERIES



Encosto Matrix MX2

para ferragens
de **MONTAGEM FIXA** e ferragens
de **MONTAGEM REMOVÍVEL**

INSTALAÇÃO/CONFIGURAÇÃO

i **IMPORTANTE!** As instruções de instalação contidas neste manual só devem ser realizadas por um técnico qualificado.

FORNECEDOR: Este manual DEVE ser facultado ao utilizador do produto.

UTILIZADOR: Antes de utilizar este produto, leia o manual e guarde-o para referência futura.



TRD0439 Rev. B

GARANTIA

ATENÇÃO: A GARANTIA ABAIXO FOI ELABORADA EM CONFORMIDADE COM A LEI FEDERAL APLICÁVEL A PRODUTOS FABRICADOS DEPOIS DE 4 DE JULHO DE 1975.

Esta garantia abrange apenas o adquirente/utilizador original dos nossos produtos. Esta garantia confere ao utilizador direitos legais específicos, podendo ainda dispor de outros direitos legais que variam localmente. A Invacare/Motion Concepts oferece ao adquirente original deste produto uma garantia contra defeitos de material e de fabrico vigente durante dois anos. Esta garantia não se aplica a perfurações, rasgões ou queimaduras, nem à capa removível da almofada. Se durante o período abrangido pela garantia se demonstrar que este produto apresenta defeitos, o mesmo será substituído ou reparado, de acordo com a opção da Invacare/Motion Concepts, com peças novas ou restauradas. A presente garantia não inclui custos de mão-de-obra ou de expedição consequentes da instalação da peça de substituição ou do reparo de qualquer produto deste tipo. As reparações de produtos não irão vigorar para lá do período abrangido por esta garantia.

A cobertura de produtos reparados terminará no final da presente garantia limitada. A obrigação exclusiva da Invacare/Motion Concepts e o único ressarcimento do adquirente, em conformidade com esta garantia, será limitado à reparação e/ou substituição descritas. Para solicitar a assistência incluída na garantia, contacte o fornecedor a quem comprou o produto da Invacare/Motion Concepts. Caso não receba um serviço de garantia satisfatório, contacte diretamente a Invacare/Motion Concepts, por escrito, através do endereço no verso. Indique o nome e o endereço do fornecedor, o número de modelo, a data de aquisição, indique a natureza do defeito e, se o produto apresentar um número de série, especifique o mesmo.

A Invacare Corporation/Motion Concepts irá emitir uma autorização de devolução. A unidade ou as peças defeituosas devem ser devolvidas para inspeção de garantia utilizando como identificação o número de série, quando aplicável, no prazo de trinta (30) dias após a data de autorização de devolução.

NÃO devolva produtos à nossa fábrica sem receber a nosso consentimento prévio. Os envios pagos na entrega serão recusados; deve pagar previamente os custos de expedição.

LIMITES E EXCLUSÕES: A GARANTIA NÃO SE APLICA A PROBLEMAS QUE RESULTEM DO DESGASTE NORMAL OU DA INCAPACIDADE DE ADERIR ÀS INSTRUÇÕES INCLUÍDAS. ALÉM DISSO, A PRESENTE GARANTIA NÃO SE APLICA A PRODUTOS COM NÚMERO DE SÉRIE EM CASOS EM QUE ESTE TENHA SIDO REMOVIDO OU RISCADO; PRODUTOS SUBMETIDOS A NEGLIGÊNCIA, ACIDENTE OU UTILIZAÇÃO, MANUTENÇÃO OU ARMAZENAMENTO INDEVIDOS; OU A PRODUTOS MODIFICADOS SEM O CONSENTIMENTO EXPRESSO E POR ESCRITO DA INVACARE/MOTION CONCEPTS, INCLUINDO, MAS NÃO SE LIMITANDO A: MODIFICAÇÃO ATRAVÉS DA UTILIZAÇÃO DE PEÇAS OU ACESSÓRIOS NÃO AUTORIZADOS; PRODUTOS DANIFICADOS DEVIDO A REPARAÇÕES REALIZADAS A QUAISQUER COMPONENTES SEM O CONSENTIMENTO ESPECÍFICO DA INVACARE/MOTION CONCEPTS; PRODUTOS DANIFICADOS POR CIRCUNSTÂNCIAS FORA DO CONTROLO DA INVACARE/MOTION CONCEPTS; PRODUTOS REPARADOS POR OUTROS FORNECEDORES QUE NÃO OS DA INVACARE/MOTION CONCEPTS. ESTAS AVALIAÇÕES SERÃO DETERMINADAS EXCLUSIVAMENTE PELA INVACARE/MOTION CONCEPTS.

A PRESENTE GARANTIA É EXCLUSIVA E SUBSTITUI QUAISQUER OUTRAS GARANTIAS EXPRESSAS, SE APLICÁVEL, INCLUINDO GARANTIAS IMPLÍCITAS DE COMERCIALIZAÇÃO E ADEQUAÇÃO A UM FIM ESPECÍFICO. NÃO IRÁ VIGOR PARA ALÉM DA DURAÇÃO DA GARANTIA EXPRESSA FACULTADA AQUI E O RESSARCIMENTO PARA VIOLAÇÕES DE QUALQUER GARANTIA IMPLÍCITA LIMITAR-SE-Á AO REPARO OU SUBSTITUIÇÃO DO PRODUTO DEFEITUOSO, EM CONFORMIDADE COM OS TERMOS EXPRESSOS NESTE DOCUMENTO.

A INVACARE/MOTION CONCEPTS NÃO SERÁ RESPONSABILIZADA POR QUAISQUER DANOS CONSEQUENTES OU INCIDENTAIS. ESTA GARANTIA SERÁ ALARGADA DE FORMA A CUMPRIR AS LEGISLAÇÕES E REQUISITOS LOCAIS.

Este manual não pode ser reproduzido nem reimpresso parcial ou totalmente sem o consentimento prévio por escrito da Motion Concepts ou dos seus representantes legais.


Este manual de utilização foi compilado a partir das mais recentes especificações e informações do produto disponíveis à data de publicação. A Invacare reserva-se o direito de efetuar alterações, à medida que se tornem necessárias. Quaisquer alterações realizadas nos nossos produtos podem causar ligeiras variações entre as ilustrações e explicações deste manual e do produto que adquiriu. Se tiver alguma questão ou preocupação relacionada com as informações fornecidas neste manual, contacte nosso Departamento de Assistência ao Cliente para obter assistência.


Índice


- 1.0 Advertências gerais
- 2.0 Informações de segurança
- 3.0 Instalação/Ajuste do encosto MX2 - **Montagem fixa**
- 4.0 Instalação/Ajuste do encosto MX2 - **Montagem removível**
- 5.0 Instruções gerais e manutenção
- 6.0 Opções do encosto MX2


SÍMBOLOS DE SEGURANÇA:

A configuração adequada e a utilização segura do encosto Invacare Matrix MX2 dependem do seu próprio discernimento e bom senso, bem como do seu fornecedor, prestador de cuidados e/ou profissional de saúde. Os seguintes símbolos são utilizados ao longo deste manual de utilização para identificar advertências, indicações de cuidado e notas importantes: É muito importante que as leia e compreenda totalmente.

 **CUIDADO!** O incumprimento das indicações de cuidado incluídas neste manual pode resultar em danos no seu produto de assento Matrix.

 **ADVERTÊNCIA!** O incumprimento das advertências incluídas neste manual pode resultar em lesões.

 **IMPORTANTE!** Informações importantes a ter em atenção durante a instalação e configuração do seu produto de assento Matrix.

 **IMPORTANTE!** Consulte o Manual do Proprietário/Operador da Cadeira de Rodas para obter informações de segurança adicionais, advertências e indicações de cuidado relacionadas com a utilização da sua cadeira de rodas.

1.0 ADVERTÊNCIAS/INFORMAÇÕES GERAIS

1.1 Descrição geral

⚠ ADVERTÊNCIA PARA O UTILIZADOR!

NÃO UTILIZE ESTE PRODUTO NEM QUALQUER EQUIPAMENTO OPCIONAL SEM PRIMEIRO LER E COMPREENDER ESTAS INSTRUÇÕES E TODO O MATERIAL DE INSTRUÇÃO ADICIONAL, TAL COMO OS MANUAIS DO PROPRIETÁRIO, OS MANUAIS DE ASSISTÊNCIA OU OS FOLHETOS INFORMATIVOS FORNECIDOS COM ESTE PRODUTO OU COM EQUIPAMENTO OPCIONAL. SE NÃO COMPREENDER AS ADVERTÊNCIAS, AVISOS OU INSTRUÇÕES, CONTACTE UM PROFISSIONAL DE CUIDADOS DE SAÚDE, O FORNECEDOR OU A EQUIPA TÉCNICA ANTES DE TENTAR UTILIZAR ESTE EQUIPAMENTO, CASO CONTRÁRIO, PODERÃO OCORRER LESÕES OU DANOS.

ℹ INFORMAÇÃO IMPORTANTE

A melhor forma de evitar problemas relacionados com úlceras de pressão é compreender as suas causas e o papel do utilizador num programa de tratamento da pele. O seu terapeuta e médico devem ser consultados se tiver questões sobre limitações e necessidades individuais.

Todas as almofadas de encosto devem ser seleccionadas cuidadosamente. Trabalhar em colaboração com o seu terapeuta e médico é a melhor forma de assegurar que a escolha da almofada satisfaz as suas necessidades individuais. A medida que as necessidades de um indivíduo se tornam mais complexas, a avaliação adquire maior importância.

Encostos Invacare® Matrx® MX2

O encosto Invacare® Matrx® MX2 tem um contorno para oferecer uma orientação precisa dentro da cadeira de rodas para um suporte de postura ótimo. A espuma tem uma dimensão superior ao habitual para facultar conforto e proteção suplementares.

O encosto Invacare® Matrx® MX2 inclui uma almofada lombar de espuma amovível que pode ser instalada/inserida atrás da almofada de espuma existente para proporcionar uma funcionalidade de posicionamento adicional. Consulte a **Secção 6.0 - Apoio lombar**.

A capa exterior é feita de uma malha larga porosa, combinada com um material de imitação de couro para durabilidade adicional. Recomenda-se que a capa exterior seja limpa e inspecionada regularmente. Consulte a **Secção 5.0 - Cuidados e manutenção**.

1.2 Itens que sofrem desgaste

ℹ IMPORTANTE! Os itens e componentes deste produto que sofrem normalmente desgaste, não se limitam a todos os materiais de estofos, incluindo almofadas e estofos do encosto.

A Invacare reserva-se o direito de solicitar a devolução de qualquer produto que apresente um alegado defeito de fabrico. Consulte a **Política de Garantia** (contracapa) para obter informações específicas de garantia.

Consulte este Manual de Utilização para conhecer o programa de manutenção preventiva e utilização correta do produto. Estas são apenas diretrizes gerais e não incluem os produtos danificados devido a utilização abusiva e indevida. A vida útil depende de muitos fatores.

1.3 Utilização prevista

Os nossos encostos Invacare® Matrx® MX2 foram concebidos para oferecer uma orientação precisa dentro da cadeira de rodas para um suporte de postura ótimo.

2.0 INFORMAÇÕES DE SEGURANÇA

2.1 Advertências de transporte!

▲ ADVERTÊNCIA!

Risco de lesão grave ao transportar o cliente numa cadeira de rodas equipada com um encosto Invacare® Matrx® MX2 num veículo motorizado.

- Sempre que for possível, a Invacare recomenda que o cliente seja transferido da cadeira de rodas para o assento do veículo utilizando um cinto de segurança de colo e diagonal.
- Os encostos Invacare® Matrx® MX2 só podem ser utilizados em conjunto com cadeiras de rodas que estejam em conformidade com os requisitos das normas RESNA WC19 ou ISO 7176-19.
- Para o transporte seguro de um cliente numa cadeira de rodas num veículo motorizado, consulte os manuais de utilização da cadeira de rodas e do sistema de retenção do ocupante e de fixação da cadeira de rodas (WTORS).

2.2 Segurança geral

▲ ADVERTÊNCIA! Risco de morte, lesão grave ou danos

A utilização incorreta deste produto pode causar lesões ou danos. Se não compreender as advertências, indicações de cuidado ou instruções, contacte um profissional de cuidados de saúde ou o fornecedor antes de tentar utilizar este equipamento. NÃO utilize este produto ou qualquer equipamento opcional disponível sem primeiro ler e compreender estas instruções e todo o material de instrução adicional, assim como o manual de utilização, os manuais de assistência ou os folhetos informativos fornecidos com este produto ou com o equipamento opcional.

▲ ADVERTÊNCIA! Risco de morte, lesão grave ou danos

Os cigarros acesos que caíam sobre um sistema de assento estofado podem causar um incêndio que resulte em morte, lesão grave ou danos. Os ocupantes da cadeira de rodas correm um risco especial de morte ou lesão grave devido a estes incêndios e fumos resultantes, uma vez que podem não ter a capacidade de se afastar da cadeira de rodas.

- NÃO FUME durante a utilização desta cadeira de rodas.

▲ ADVERTÊNCIA! Risco de lesão

Os produtos Invacare® Matrx® foram especificamente concebidos e fabricados para serem utilizados em conjunto com acessórios Invacare® Matrx®. Os acessórios concebidos por outros fabricantes não foram testados pela Invacare e não são recomendados para utilização com produtos Invacare® Matrx®.

▲ ADVERTÊNCIA Risco de lesão

A condição de pele deve ser verificada com frequência após a instalação de qualquer novo sistema de assento. O seu terapeuta e médico devem ser consultados se tiver questões sobre limitações e necessidades individuais. À medida que as necessidades de um indivíduo se tornam mais complexas, a avaliação adquire maior importância.

2.0 INFORMAÇÕES DE SEGURANÇA

2.3 Advertências de instalação

⚠️ ADVERTÊNCIA! Risco de lesão grave

Quando definir a posição de fixação para o encosto Invacare® Matrx® MX2, certifique-se de que a estabilidade da cadeira de rodas não é comprometida. O ajuste da posição frontal e posterior do encosto irá alterar o centro de gravidade do utilizador na cadeira de rodas. Uma posição de encosto recuada pode reduzir significativamente a estabilidade traseira da cadeira de rodas. Da mesma forma, uma posição do encosto mais orientada para a frente reduz a estabilidade frontal da cadeira de rodas.

⚠️ ADVERTÊNCIA! Risco de lesão grave ou danos

- Os procedimentos descritos no presente manual só podem ser realizados por um técnico qualificado.
- Ferragens soltas podem causar perda de estabilidade, resultando em lesão grave ou danos.
- Depois de efetuar **QUAISQUER** ajustes, reparações ou operações de assistência e antes da utilização, certifique-se de que todas as ferragens estão apertadas com segurança.
- Não instale a unidade do encosto Invacare® Matrx® MX2 em barras posteriores com um diâmetro exterior superior a 25 mm (1") ou inferior a 19 mm (3/4"). Caso contrário, poderão ocorrer lesões ou danos.
- O encosto Invacare® Matrx® MX2 não se destina a aplicações de assento elétrico.
- A posição de fixação do encosto Invacare® Matrx® MX2 está diretamente relacionada a estabilidade da cadeira. Pode ser necessário reposicionar os rodízios frontais, as rodas traseiras, o ângulo do encosto, o espaço de reclinção, a posição de reclinção e/ou a profundidade do assento antes da utilização.
- Certifique-se de que o encosto Invacare® Matrx® MX2 está adequadamente fixo à cadeira de rodas antes da utilização. Caso contrário, poderão ocorrer lesões ou danos.

⚠️ ADVERTÊNCIA! Risco de lesão grave ou danos

As ferragens de instalação facultadas são de alta resistência e de durabilidade comprovada por testes. **NÃO substitua as ferragens.** Utilize apenas as ferragens originais fornecidas para o encosto Matrx MX2.

2.4 Limite de peso/tamanhos de encosto:

MODELO CONFIGURADO	DESCRIÇÃO	PROFUNDIDADE DO CONTO	LIMITE DE PESO
IMX2(l/a)	Encosto Matrx MX2	76 mm (3 pol.)	113 kg (250 lbs)

* l/a = largura/altura

Tamanhos disponíveis: Largura: 355 mm - 460 mm (14" - 18");
Altura: 150 mm (6"), 230 mm (9"),
310 mm (12"), 410 mm (16")

Contacte o seu fornecedor ou terapeuta para determinar o modelo/tamanho de encosto adequado às suas necessidades individuais. Para obter informações adicionais sobre qualquer dos nossos encostos Matrx, incluindo todos os modelos/tamanhos disponíveis, visite www.motionconcepts.com ou www.invacare.com.

3.0 ENCOSTO MX2 - INSTALAÇÃO DE MONTAGEM FIXA

3.1 Kit de ferragens de montagem fixa

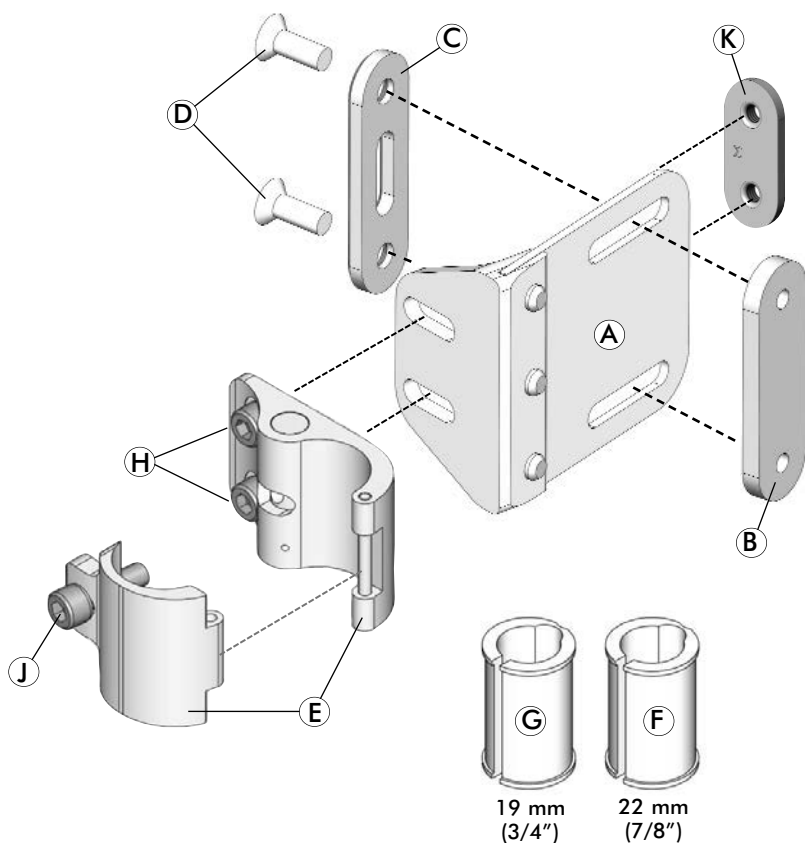
i) Montagem dos suportes de montagem (a instalar na estrutura do encosto Mx2):

- | | |
|--|---|
| 2 - Suportes de montagem fixa (A) | 2 - Placas de anilhas para suporte fixo (C) |
| 2 - Placas de porcas para suporte fixo (B) | 4 - Parafusos para suporte fixo (D) |

ii) Montagem dos grampos de barras (a instalar nas barras posteriores da cadeira de rodas):

- | | |
|--|--|
| 2 - Grampo de barra (E) | 4 - Parafusos de ajuste de inclinação/profundidade (H) |
| 2 - Encaixes das barras 22 mm (7/8") (F) | 2 - Parafusos para os grampos de barras (J) |
| 2 - Encaixes das barras 19 mm (3/4") (G) | 2 - Placas de porcas para os grampos de barras (K) |

(Montagem de ferragens do lado direito)



3.0 ENCOSTO MX2 - INSTALAÇÃO DE MONTAGEM FIXA

3.2 Ferramentas necessárias

Chave hexagonal (4 mm/5 mm) (fornecida)

Fita métrica/régua

! ATENÇÃO

Se faltar alguma parte da ferragem ou estiver fora do sítio, contacte o seu representante local da Invacare/Motion Concepts para obter as peças de substituição necessárias.

3.3 Instalação do suporte de montagem fixa MX2:

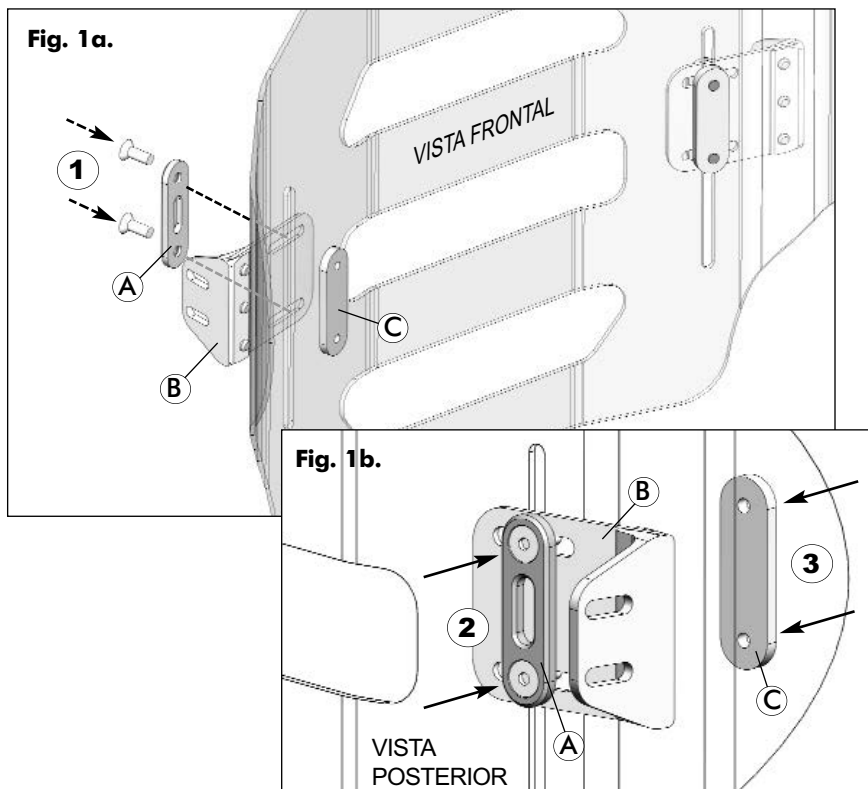
! NOTA: antes de instalar os suportes de montagem fixa

Retire ou solte cuidadosamente a capa MX2 despreendendo as tiras de velcro que se encontram ao longo da extremidade inferior e no interior da estrutura do encosto.

- 1 Num dos lados da estrutura do encosto, instale o suporte de montagem fixa na estrutura do encosto Invacare[®] Matrx[®] MX2 do seguinte modo:
 - Alinhe a placa de anilhas (A) com as ranhuras do suporte de montagem fixa (B) e insira os parafusos através dos componentes (1); (consulte a Fig. 1a).
 - Na parte traseira da estrutura do encosto, instale os 2 parafusos salientes do suporte de montagem através da ranhura vertical na estrutura do encosto MX2 (2); (consulte a Fig. 1b).
 - Para fixar o suporte de montagem à estrutura do encosto Mx2, enrosque os parafusos na placa de porcas (C) na parte frontal (interior) da estrutura do encosto (3); (consulte a Fig.1b).
- 2 Instale o suporte de montagem fixa restante no lado oposto da estrutura do encosto (de acordo com o **Passo 1** acima).

3.0 ENCOSTO MX2 - INSTALAÇÃO DE MONTAGEM FIXA

Instalação de suporte de montagem fixa



3.4 Pré-instalação: Orientação do grampo de barra MX2:

ⓘ IMPORTANTE! Antes de instalar os grampos de barras MX2, é necessário determinar a sua orientação.

Para uma **orientação standard**, os grampos de barras (A) são montados e instalados nas barras posteriores na orientação *mais recuada*. Esta configuração maximiza a profundidade do assento disponível na cadeira de rodas. Consulte a Fig. 2a.

Para uma **orientação invertida***, os grampos de barras (A) são rodados 180° nas barras posteriores. Esta configuração minimiza a profundidade do assento disponível e, se necessário, coloca o encosto MX2 numa posição mais à *frente*. Consulte a Fig. 2b.

Os grampos de barras (A) proporcionam **38 mm (1,5")** de ajuste frontal ou recuado (relativamente à barra posterior), consoante a configuração de montagem selecionada.

3.0 ENCOSTO MX2 - INSTALAÇÃO DE MONTAGEM FIXA

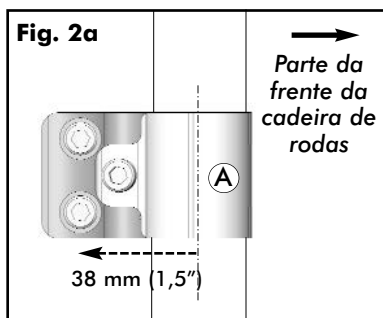
3.4 Pré-instalação: Orientação do grampo de barra MX2: ...continuação

⚠️ ADVERTÊNCIA! Risco de lesão grave

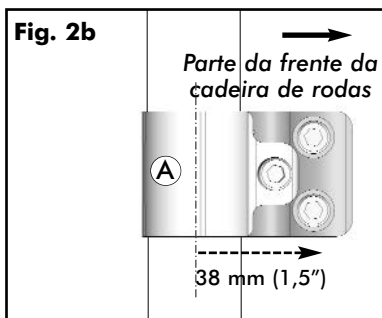
Quando determinar a posição de fixação final para o encosto Invacare® Matrix® MX2, certifique-se de que a estabilidade da cadeira de rodas não é comprometida.

O ajuste da posição frontal e posterior do encosto irá alterar o centro de gravidade do utilizador na cadeira de rodas. Uma posição de encosto recuada pode reduzir significativamente a estabilidade traseira da cadeira de rodas. Da mesma forma, uma posição do encosto mais orientada para a frente reduz a estabilidade frontal da cadeira de rodas.

Orientação do grampo de barra MX2



Barra standard
Configuração do grampo
(profundidade máxima do assento)



Barra invertida
Configuração do grampo
(profundidade mínima do assento)

3.5 Instalação dos grampos de barras MX2:

Os grampos de barras MX2 foram concebidos para permitir a instalação de diâmetros de barras posteriores de 25 mm (1"), 22 mm (7/8") e 19 mm (3/4"). (São fornecidos encaixes de plástico (A) para acomodar barras posteriores com um diâmetro mais pequeno*).

- 1 Retire o encosto existente da cadeira de rodas (se aplicável).
- 2 Instale folgadoamente a unidade de grampo de barra (B) em cada barra posterior na orientação pretendida. Consulte a Fig. 3 e a Fig. 4 para uma obter uma descrição geral da instalação.

*Acomodar barras posteriores de tamanhos diferentes:

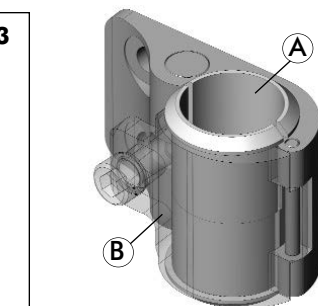
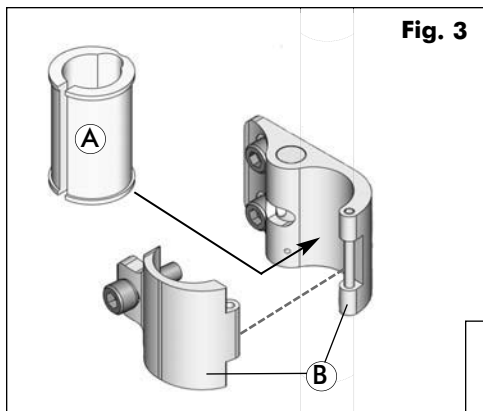
Barras de 25 mm (1") - Sem necessidade de encaixes de plástico

Barras de 22 mm (7/8") - Instale encaixes de plástico de 22 mm (7/8") (x2)

Barras de 19 mm (3/4") - Instale encaixes de plástico de 19 mm (3/4") (x2)

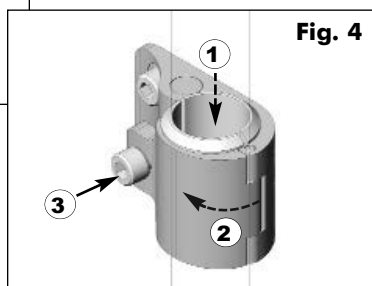
3.0 ENCOSTO MX2 - INSTALAÇÃO DE MONTAGEM FIXA

Instalação dos grampos de barras MX2



SUGESTÃO ÚTIL

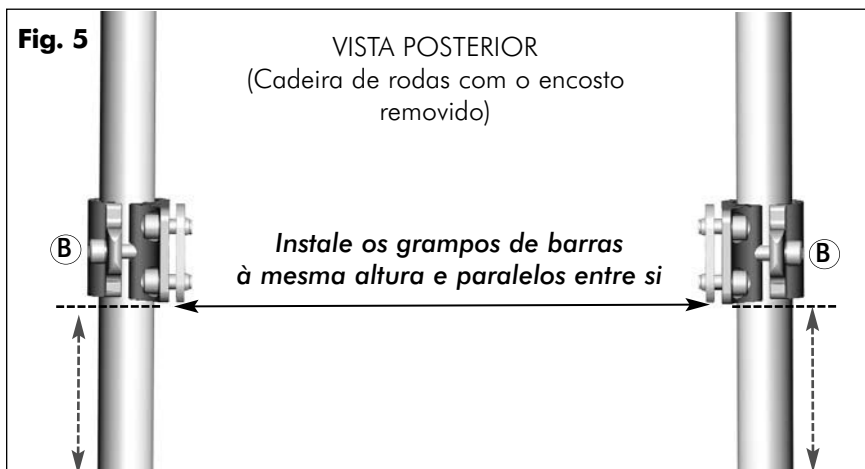
Pulverize as barras posteriores e o interior dos encaixes de plástico com uma pequena quantidade de laca para criar uma aderência antiderrapante.



- 3 A partir de um dos lados, faça deslizar/ajuste a unidade de grampo de barra (B) até à altura/posição pretendida ao longo da barra posterior e fixe-a no local, apertando.

Nota: a altura final do encosto pode ser ajustada/acertada adicionalmente após a instalação da estrutura do encosto MX2 nos grampos de barras (consulte a Fig. 5)

Ajuste da altura dos grampos de barras MX2



3.0 ENCOSTO MX2 - INSTALAÇÃO DE MONTAGEM FIXA

3.5 Instalação dos grampos de barras MX2: (... continuação)

- 4 A partir de um ponto fixo na cadeira de rodas (por exemplo, a partir da estrutura de assento/barra de rigidez) meça a altura exata do primeiro grampo de barra (B) e fixe o segundo grampo de barra (B) à mesma altura que a barra posterior oposta (consulte a Fig. 5)

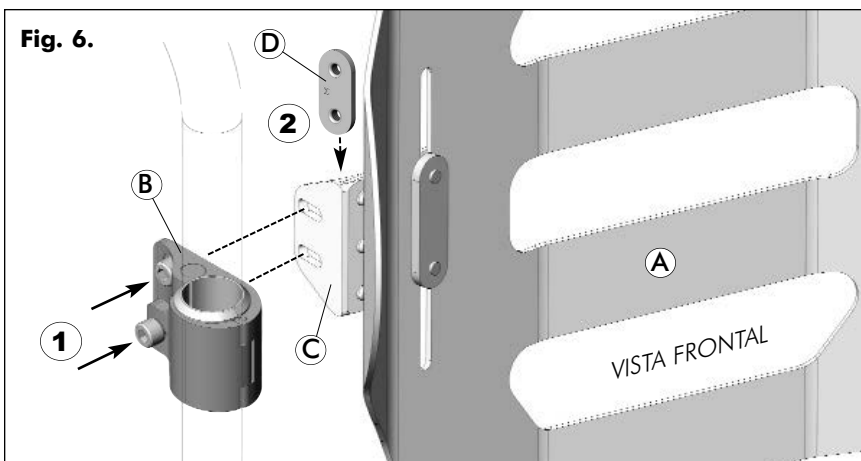
Nota: certifique-se de que os grampos de barras estão alinhados paralelamente um com o outro.

3.6 Instalar o encosto MX2 nos grampos de barras fixos:

- 1 Num dos lados da estrutura do encosto, instale o encosto Matrix MX2 (A) nos grampos de barras* (consulte a Fig. 6):
- Alinhe os 2 parafusos de montagem na unidade de grampo de barra (B) com as ranhuras correspondentes no suporte de montagem fixa MX2 (C) (1).
 - Fixe a unidade de grampo de barra junto ao suporte de montagem MX2 utilizando a placa de porcas de rosca (D) fornecida (2).
 - Repita os passos (1) e (2) para fixar a estrutura do encosto MX2 na barra posterior oposta.

***NOTA:** antes de instalar o encosto Matrix MX2 nos grampos de barras, os suportes de montagem fixa devem ficar ligeiramente folgados para ajudar a alinhar e instalar a estrutura do encosto. Consulte a **Secção 3.7 (Fig. 8)** para obter instruções de ajuste de largura/altura mais detalhadas.

Instalação do encosto MX2: Ferragens de montagem FIXA



3.0 ENCOSTO MX2 - INSTALAÇÃO DE MONTAGEM FIXA

3.7 Ajustes de encosto de montagem fixa MX2:

i IMPORTANTE! Os suportes de montagem fixa MX2 foram concebidos para instalação nas barras posteriores que são até **25 mm (1") mais largas ou 25 mm (1") mais estreitas** do que a largura de costas nominal. Para uma configuração standard, o encosto MX2 deve ser instalado de forma simétrica (centrada) entre as barras posteriores.

i IMPORTANTE! Para determinar as configurações ideais de profundidade/altura/ângulo, o utilizador deve estar sentado na cadeira de rodas durante a configuração.

1 Com a estrutura do encosto MX2 instalado na cadeira de rodas (grampos de barras), é possível ajustar a profundidade, a altura/largura e o ângulo finais do encosto MX2 ainda mais para se adequarem ao utilizador final:

i. **Ajuste da profundidade:** A profundidade do encosto MX2 (relativa às barras posteriores) é controlada por dois ajustes independentes:

Orientação do grampo de barra MX2: (*consulte também a Secção 3.4*)

A orientação dos grampos de barras MX2 (instalação mais à frente ou mais recuada) irá posicionar a estrutura do encosto (**38 mm (+/- 1,5 ")**) relativamente às barras posteriores (**1**). Consulte a **Fig. 7a**.

Intervalo máximo do ajuste da profundidade frontal e recuada para as ferragens de montagem fixa MX2 = **76 mm (3 ") (38 mm (+/- 1,5 ")**).

Placas de fixação MX2:

Os canais ranhurados nas placas de fixação MX2 permitem até **13 mm (1/2 ")** de ajuste da profundidade (**2**) no intervalo máximo de ajuste. Consulte a **Fig. 7b**.

ii. **Ajuste da altura /largura:** Para acomodar variações nas larguras das barras posteriores, estão disponíveis ajustes finos de largura através das ranhuras horizontais dos suportes de montagem MX2 (**1**). A altura do encosto MX2 (relativamente aos grampos de barras) é ajustável utilizando ranhuras verticais na estrutura do encosto MX2 (**2**). O comprimento da ranhura (ajuste da altura) irá variar consoante o tamanho (altura) da estrutura do encosto. Consulte **Fig. 8a e 8b**.

iii. **Ajuste do ângulo:** Para realizar os ajustes de ângulo do encosto de $\pm 15^\circ$ rode a estrutura do encosto para a frente (**1**) ou para trás (**2**) dentro dos canais ranhurados dos suportes de montagem MX2. Consulte a **Fig. 9**.

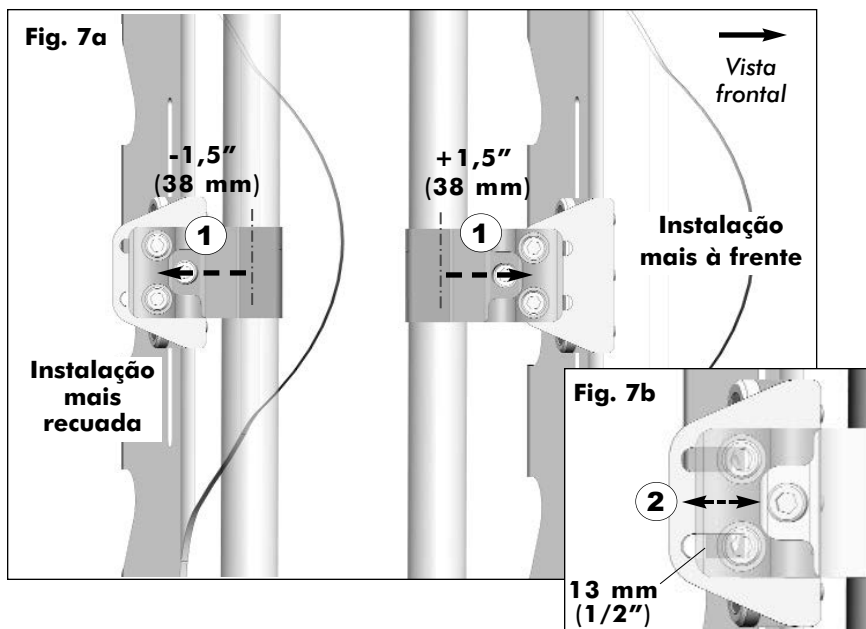
2 Verifique se o conforto, o ajuste e o alinhamento gerais do encosto da cadeira de rodas estão adequados para o cliente. Efetue ajustes adicionais, conforme necessário.

3 Prenda/aperte totalmente todas as ferragens de instalação/montagem e certifique-se de que os suportes de montagem/grampos de barras MX2 não deslizam nem rodam para fora da sua posição.

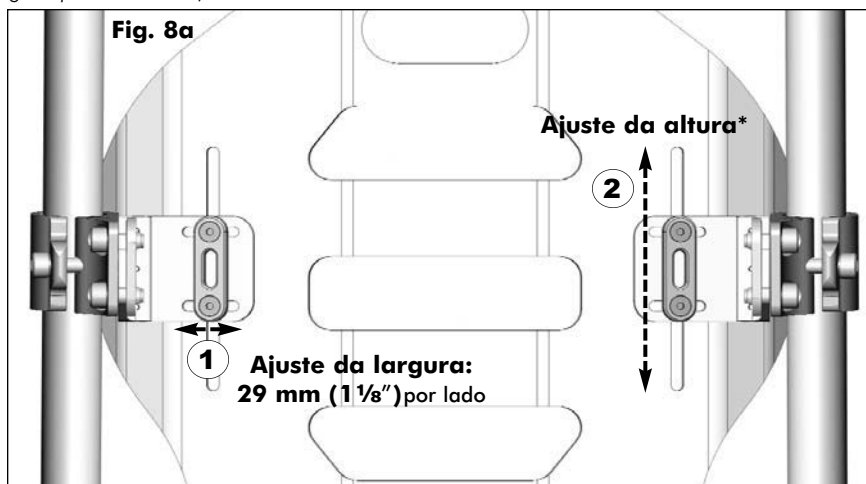
3.0 ENCOSTO MX2 - INSTALAÇÃO DE MONTAGEM FIXA

i IMPORTANTE! Salvo indicação em contrário, **todos** os ajustes de profundidade, altura e ângulo devem ser realizados de forma simétrica, nas placas de fixação esquerda e direita.

Montagem fixa MX2: Ajuste da PROFUNDIDADE



Montagem fixa MX2: Ajuste da LARGURA/ALTURA (relativa aos grampos de barras)



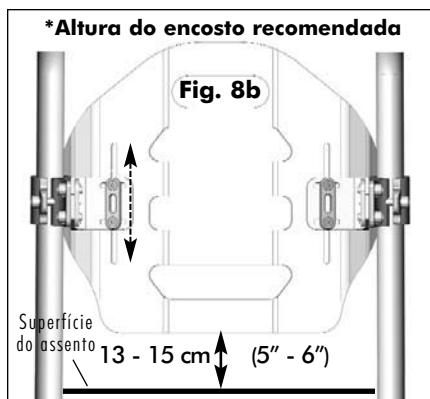
3.0 ENCOSTO MX2 - INSTALAÇÃO DE MONTAGEM FIXA

***NOTA:** o intervalo de ajuste da altura do encosto MX2 varia consoante a altura (comprimento da ranhura) na estrutura do encosto MX2. Consulte a Tabela 1.0:

Tabela 1.0:
Ajuste (ranhura) da altura MX2

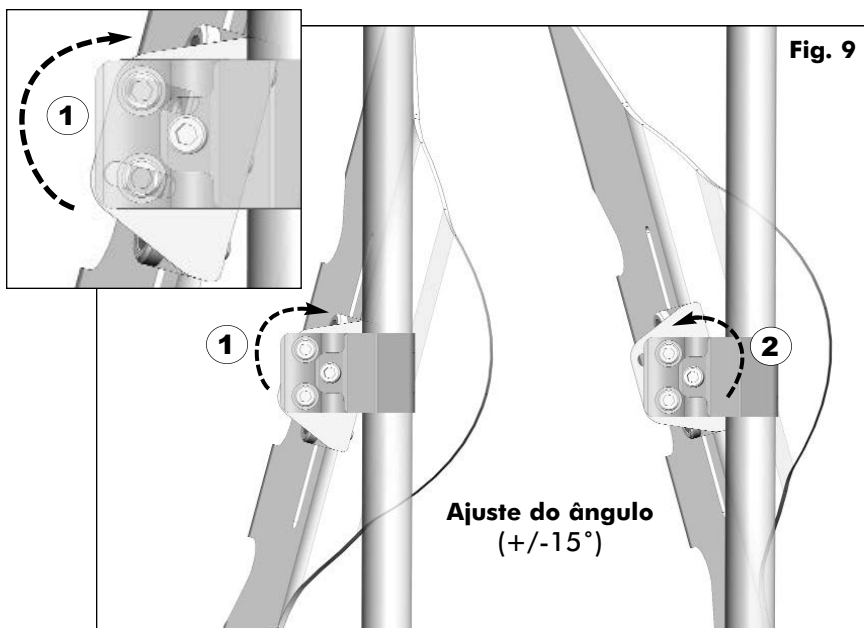
Estrutura do encosto Altura	Intervalo de Ajuste
150 mm (6")	13 mm (1/2")
230 mm (9")	51 mm (2")
310 mm (12")	51 mm (2")
410 mm (16")	89 mm (3,5")

***Nota:** a altura recomendada para o encosto MX2 serve apenas de orientação. Podem ser necessárias ligeiras variações. Consulte a nota **Importante!** abaixo.



ⓘ IMPORTANTE! Certifique-se sempre de que a parte inferior do encosto está posicionada anatomicamente por baixo da espinha íliaca superior posterior (PSIS). Se tiver alguma questão ou preocupação relacionada com a altura adequada do encosto, contacte o seu fornecedor e/ou profissional de saúde para obter aconselhamento adequado.

Montagem fixa MX2: Ajuste do ÂNGULO DO ENCOSTO

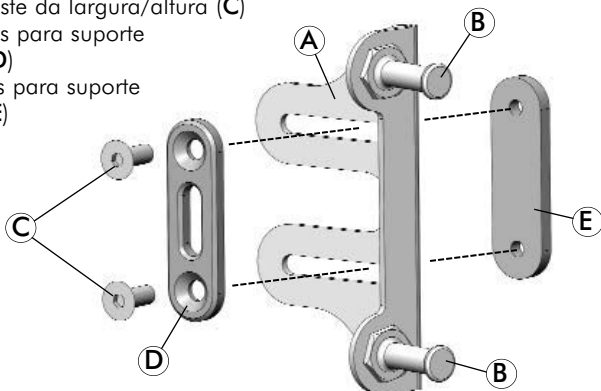


4.0 ENCOSTO MX2 - INSTALAÇÃO DE MONTAGEM REMOVÍVEL

4.1 Kit de ferragens de montagem removível (extração rápida):

i) Unidade de suporte de montagem QR (a instalar na estrutura do encosto MX2):

- 2 - Suportes de montagem QR MX2 (A)
- 2 - Pinos de montagem de extração rápida (B)
- 4 - Parafusos de ajuste da largura/altura (C)
- 2 - Placas de anilhas para suporte de montagem (D)
- 2 - Placas de porcas para suporte de montagem (E)

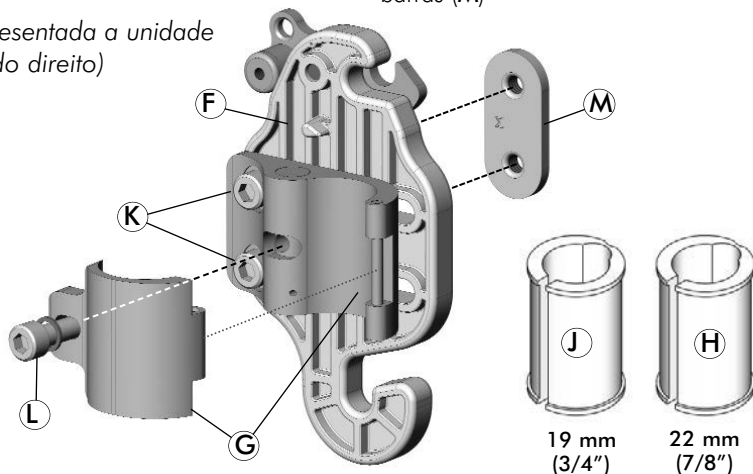


(é apresentada a unidade do lado direito)

ii) Montagem dos grampos de barras (a instalar nas barras posteriores da cadeira de rodas):

- 2 - Miniplacas de fixação (F)
- 2 - Grampo de barra (G)
- 2 - Encaixes das barras 22 mm (7/8") (H)
- 2 - Encaixes de barras 19 mm (3/4") (J)
- 4 - Parafusos de ajuste da profundidade/ângulo (K)
- 2 - Parafusos para os grampos de barras (L)
- 2 - Placas de porcas para os grampos de barras (M)

(é apresentada a unidade do lado direito)



4.0 ENCOSTO MX2 - INSTALAÇÃO DE MONTAGEM REMOVÍVEL

4.2 Ferramentas necessárias

Chave hexagonal (4 mm/5 mm) (fornecida)

Fita métrica/régua

! ATENÇÃO

Se faltar alguma parte da ferragem ou estiver fora do sítio, contacte o seu representante local da Invacare/Motion Concepts para obter as peças de substituição necessárias.

4.3 Instalação do suporte de montagem de extração rápida MX2:

i NOTA: antes de instalar os suportes de montagem de extração rápida (QR)

Retire cuidadosamente a capa do MX2 soltando os fechos das presilhas de velcro nas extremidades superior e inferior e no interior da estrutura do encosto.

- 1 Num dos lados da estrutura do encosto, instale o suporte de montagem de extração rápida (A) na estrutura do encosto MX2 do seguinte modo:
 - Alinhe a placa de anilhas (B) com as ranhuras do suporte de montagem (A) e insira os parafusos através dos componentes (1); (consulte a Fig. 1a (p. 18))
 - Na parte traseira da estrutura do encosto, instale os 2 parafusos salientes do suporte de montagem através da ranhura vertical na estrutura do encosto MX2 (2); (consulte a Fig. 1b).
 - Para fixar o suporte de montagem à estrutura do encosto Mx2, enrosque os parafusos na placa de porcas (D) na parte frontal (interior) da estrutura do encosto (3); (Consulte a Fig.1b.)
- 2 Instale o suporte de montagem de extração rápida restante (A) no lado oposto da estrutura do encosto (de acordo com o Passo 1 acima).

4.0 ENCOSTO MX2 - INSTALAÇÃO DE MONTAGEM REMOVÍVEL

Instalação do suporte de montagem de extração rápida

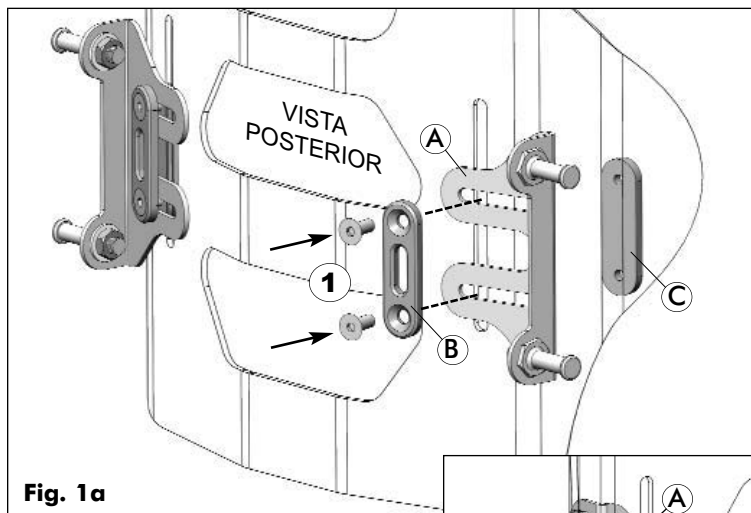


Fig. 1a



SUGESTÃO ÚTIL

Os suportes/ferragens de montagem de extração rápida podem ser montados folgadoamente na estrutura do encosto MX2 para ajudarem a alinhar os suportes (largura/altura) durante a instalação nas placas de fixação MX2.

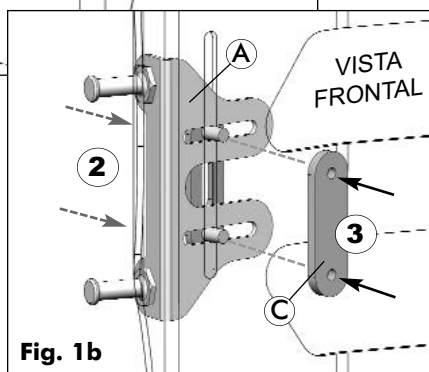


Fig. 1b

4.4 Pré-instalação: Orientação do grampo de barra MX2

ⓘ IMPORTANTE! Antes de instalar as unidades dos grampos de barras MX2, é necessário determinar a orientação dos grampos.

⚠ ADVERTÊNCIA! Risco de lesão grave

Quando determinar a posição de fixação final para o encosto Invacare® Matrix® MX2, certifique-se de que a estabilidade da cadeira de rodas não é comprometida.

O ajuste da posição frontal e posterior do encosto irá alterar o centro de gravidade do utilizador na cadeira de rodas. Uma posição de encosto recuada pode reduzir significativamente a estabilidade traseira da cadeira de rodas. Da mesma forma, uma posição do encosto mais orientada para a frente reduz a estabilidade frontal da cadeira de rodas.

4.0 ENCOSTO MX2 - INSTALAÇÃO DE MONTAGEM REMOVÍVEL

Para uma **configuração standard**, os grampos de barras MX2 (A) e as placas de fixação (B) são montados nas barras posteriores na orientação *mais recuada*. Esta configuração maximiza a profundidade do assento disponível na cadeira de rodas. Consulte a **Fig. 2**.

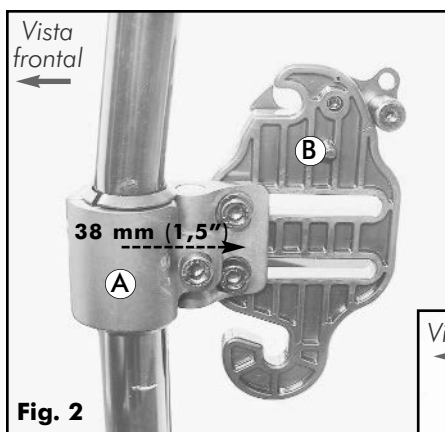
Para uma **orientação invertida***, os grampos de barras (A) são rodados 180° nas barras posteriores. Esta configuração minimiza a profundidade do assento disponível e, se necessário, coloca o encosto MX2 numa posição *mais à frente*. Consulte a **Fig. 3**.

Os grampos de barras (A) proporcionam **38 mm (1,5")** de ajuste frontal ou recuado (relativamente à barra posterior), consoante a configuração de montagem selecionada.

Nota: consulte a **Secção 4.8** para obter instruções mais detalhadas sobre os ajustes de montagem removível MX2.

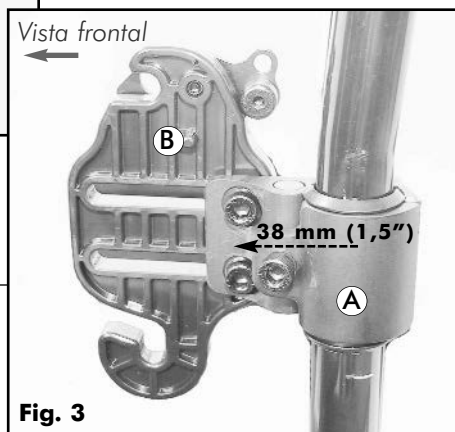
***Para inverter a placa de fixação/grampo de barra para a orientação mais frontal:**

- 1 Desmonte a placa de fixação (B) do grampo de barra (A) (2 parafusos);
- 2 Rode o grampo de barra (A) 180° e, em seguida, volte a montar a placa de fixação (B) na mesma orientação (conforme ilustrado na **Fig. 3**)



Barra standard
Configuração do grampo
(profundidade máxima do assento)

Barra invertida
Configuração do grampo
(profundidade mínima do assento)



4.0 ENCOSTO MX2 - INSTALAÇÃO DE MONTAGEM REMOVÍVEL

4.5 Instalação do grampo de barra/placa de fixação MX2:

Os grampos de barras MX2 foram concebidos para permitir a instalação de diâmetros de barras posteriores de 25 mm (1"), 22 mm (7/8") e 19 mm (3/4"). (São fornecidos encaixes de plástico (A) para acomodar barras posteriores com um diâmetro mais pequeno*).

- 1 Retire o encosto existente da cadeira de rodas (se aplicável).
- 2 Instale folgadoamente a unidade de grampo de barra (B) em cada barra posterior na configuração pretendida. Consulte a Fig. 4 e Fig. 5 para uma obter uma descrição geral da instalação.

*Acomodar barras posteriores de tamanhos diferentes:

Barras de 25 mm (1") - Encaixes de plástico desnecessários

Barras de 22 mm (7/8") - Instale encaixes de plástico de 22 mm (7/8") (x2)

Barras de 19 mm (3/4") - Instale encaixes de plástico de 19 mm (3/4") (x2)

Instalação dos grampos de barras MX2

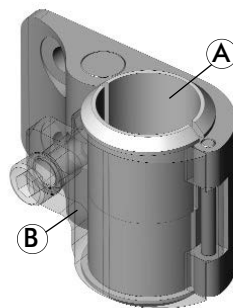
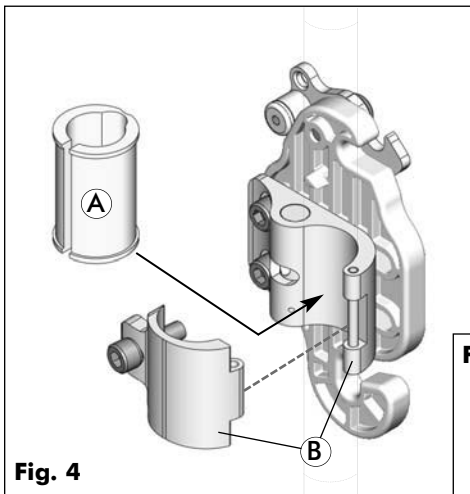
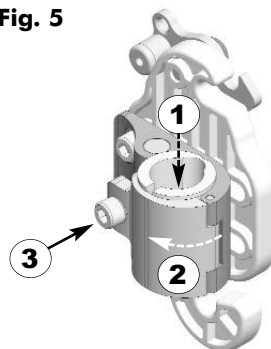


Fig. 5



SUGESTÃO ÚTIL

Pulverize as barras posteriores e o interior dos encaixes de plástico com uma pequena quantidade de laca para criar uma aderência antiderrapante.

4.0 ENCOSTO MX2 - INSTALAÇÃO DE MONTAGEM REMOVÍVEL

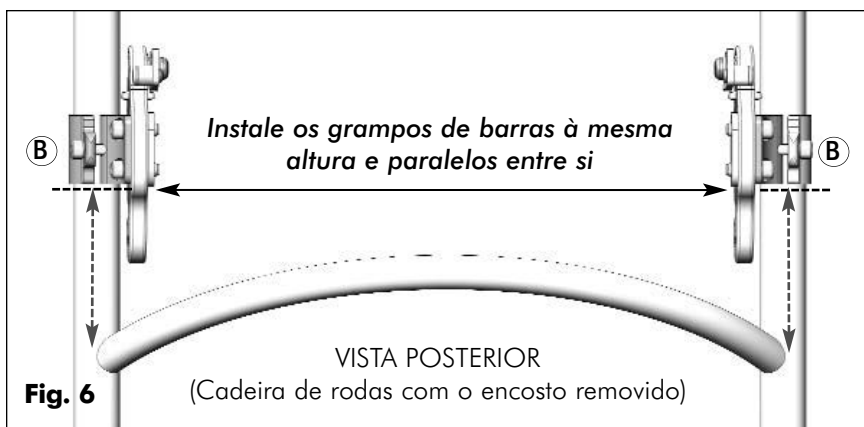
- 3 A partir de um dos lados, faça deslizar/ajuste o grampo de barra (B) até à altura/posição pretendida ao longo da barra posterior e fixe-a no local, apertando.

Nota: a altura final do encosto pode ser ajustada/acertada adicionalmente após a instalação da estrutura do encosto MX2 nas placas de fixação

- 4 A partir de um ponto fixo na cadeira de rodas (por exemplo, a partir da estrutura de assento/barra de rigidez) meça a altura exata da primeira unidade de grampo de barra (B) e fixe o segundo grampo de barra (B) à mesma altura que a barra posterior oposta. Consulte a **Fig. 6** abaixo.

Nota: assegure-se que os grampos de barra/placas de fixação estão alinhados paralelamente uns aos outros.

Ajuste da altura de grampos de barra/placas de fixação MX2



4.6 Instalar o encosto MX2 nas ferragens de extração rápida

⚠️ ADVERTÊNCIA! Uma configuração incorreta dos pinos pode causar danos no encosto e/ou às placas de fixação. Certifique-se de que é fornecido espaço suficiente entre a placa de fixação e a cabeça dos pinos de fixação (recomenda-se um espaço mínimo de 3 mm (1/8")).

⚠️ ADVERTÊNCIA! NUNCA utilize Loctite nas ferragens de montagem; os componentes não metálicos podem deteriorar-se e ficar frágeis (quebradiços) se forem contaminados.

📌 IMPORTANTE! Salvo indicação em contrário, certifique-se **sempre** de que os ajustes são realizados de **forma simétrica** nos suportes de montagem esquerdo e direito.

4.0 ENCOSTO MX2 - INSTALAÇÃO DE MONTAGEM REMOVÍVEL

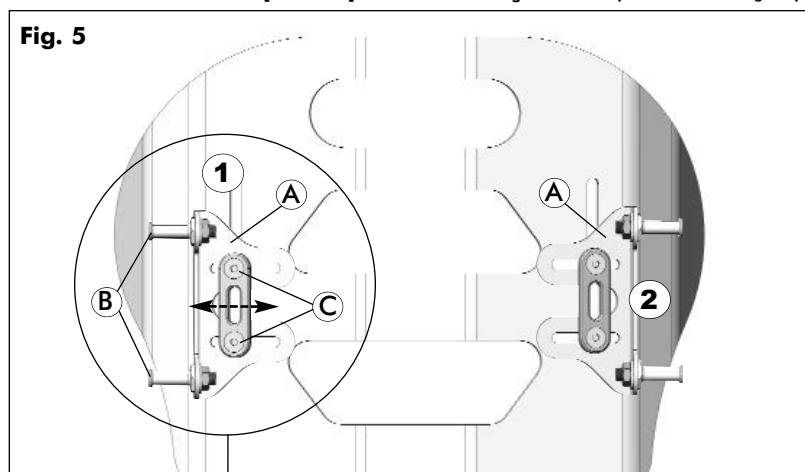
! IMPORTANTE! Tenha em atenção que ao desapertar as placas de montagem QR (A) irá simultaneamente ajustar a **largura e a altura** do encosto MX2. Leia **todas as instruções** antes de começar a instalação. Durante a instalação, recomenda-se que efetue ajustes para um suporte de montagem de cada vez.

! ATENÇÃO

Cada suporte montagem de extração rápida (A) é fornecido com pinos de fixação (B) pré-instalados, sendo também desenhado com ranhuras de largura ajustável para permitir a instalação do encosto MX2 nas barras posteriores até **25 mm (1") mais largas ou 25 mm (1") mais estreitas** do que a largura nominal do encosto.

- 1 Antes de instalar o encosto Invacare® MatrX® MX2: (Consulte a Fig. 5)
 - i. Apenas num dos lados, desaperte ligeiramente as ferragens e a placa de anilhas do suporte de montagem (C) de modo a que o suporte de montagem QR (A) e os pinos de montagem (B) possam ser ajustados para a frente ou para trás (1) (conforme necessário) de modo a alinhar com as placas de fixação de grampos de barras. Consulte o Passo 2. (Fig. 6a/6b).
 - ii. Deixe a outra unidade de suporte de montagem QR (oposta) presa à estrutura do encosto MX2 (2).

Alinhamento do suporte/pino de fixação QR (Pré-instalação)



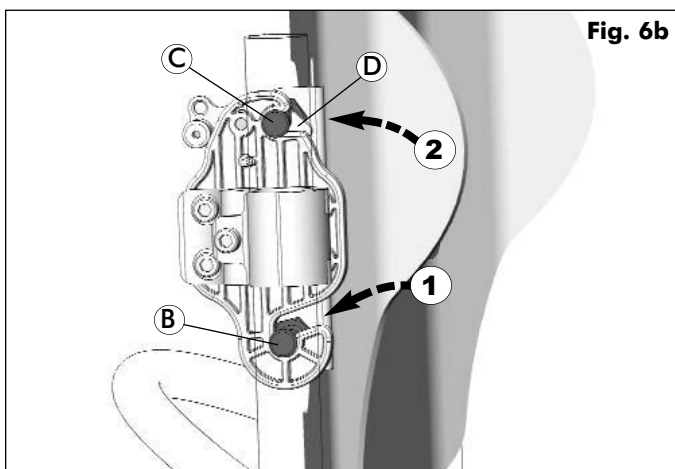
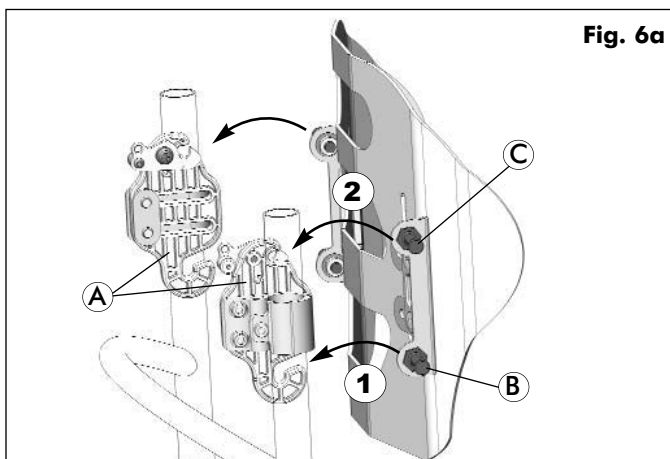
Desapertar a unidade de de suporte de montagem (apenas um lado)

4.0 ENCOSTO MX2 - INSTALAÇÃO DE MONTAGEM REMOVÍVEL

- 2 Instale o encosto MX2 nas placas de fixação (A) do seguinte modo: (Consulte a Fig. 6a e 6b)
- Alinhe e insira os pinos de fixação inferiores (B) nas ranhuras curvas da parte inferior de cada placa de fixação (1).
 - Com os pinos inferiores em posição, prenda/feche os pinos de fixação superiores (C) no mecanismo de fecho (D), na parte superior da placa de fixação (2).

⚠ ADVERTÊNCIA! Quando instalar o encosto MX2, certifique-se sempre de que ambos os mecanismos de fecho (D) estão totalmente engatados à volta dos pinos de fixação superiores.

Instalação do encosto MX2 em placas de fixação



4.0 ENCOSTO MX2 - INSTALAÇÃO DE MONTAGEM REMOVÍVEL

4.7 Encosto MX2: Ajustes de largura e altura

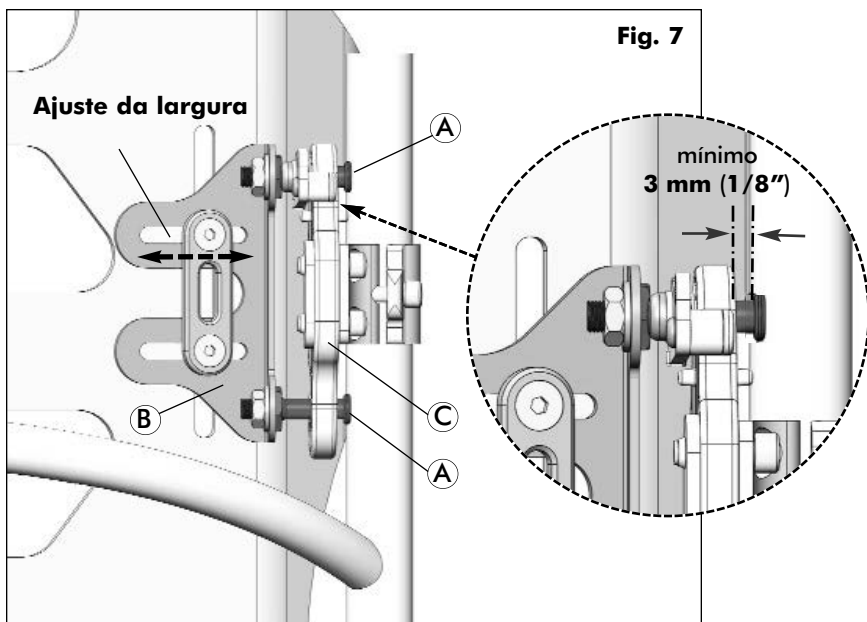
i **IMPORTANTE!** Tenha em atenção que os ajustes de **largura e altura** no encosto MX2 são feitos simultaneamente. Durante a instalação, recomendamos que efetue ajustes num suporte de cada vez, fixando cada suporte o suficiente para impedir que deslize após cada ajuste. As ferragens de montagem podem ser totalmente apertadas depois de concluir a instalação/configuração.

- 1 Ajuste da largura do pino de fixação:** Com o encosto MX2 preso às placas de fixação, ajuste a largura do pino de fixação (A) em cada suporte de montagem (B) para que exista uma **folga mínima de 3 mm (1/8")** entre a cabeça dos pinos de fixação e o exterior da placa de fixação (C)*. (Consulte a Fig. 7.)

***NOTA:** para instalação standard do encosto MX2, a estrutura do encosto deve permanecer centrada nas barras posteriores após um ajuste de largura. (Os suportes de montagem podem ser ajustados simetricamente na estrutura do encosto)

- 2** Aperte ambas as unidades de suporte de montagem o suficiente para impedir que deslizem.

Instalação do MX2: Ajuste da largura/instalação do pino de fixação



4.0 ENCOSTO MX2 - INSTALAÇÃO DE MONTAGEM REMOVÍVEL

- Ajuste da altura MX2:** a altura do encosto MX2 pode ser ajustada conforme necessário, através do canal ranhurado na estrutura do encosto MX2 (consulte Fig. 8a). A altura do encosto recomendada* é cerca de 13 - 15 cm (5" - 6") a partir do topo da superfície do assento (almofada do assento ou painel do assento; consulte a Fig. 8b).
- Num dos lados, desaperte ligeiramente as ferragens do suporte de montagem (A) e faça deslizar a estrutura do encosto MX2 para cima/para baixo até a altura pretendida do encosto ser atingida. **NOTA:** o intervalo de ajuste da altura do encosto MX2 varia consoante a altura (comprimento da ranhura) na estrutura do encosto MX2. Consulte a Tabela 1.0:
- Aperte a placa/ferragens do suporte de montagem (A) para fixar o encosto MX2 no local, certificando-se de que mantém a posição/largura adequada do pino de fixação (consulte a Fig. 7). Repita o mesmo ajuste da altura do encosto no suporte de montagem oposto.
- Assim que todos os ajustes da altura e largura sejam concluídos, prenda bem **todas** as ferragens.

**Nota: a altura recomendada para o encosto MX2 serve apenas de orientação. Podem ser necessárias ligeiras variações. Consulte a nota Importante! abaixo.*

Instalação do MX2: Ajuste da altura do encosto

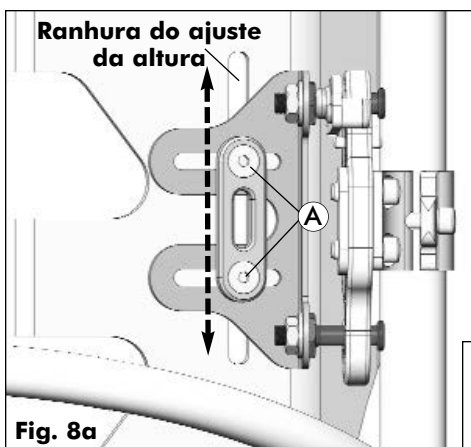


Fig. 8a

ⓘ IMPORTANTE!

Certifique-se sempre de que a parte inferior do encosto está posicionada anatomicamente por baixo da espinha ilíaca superior posterior (PSIS). Se tiver alguma questão ou preocupação relacionada com a altura adequada do encosto, contacte o seu fornecedor e/ou profissional de saúde para obter aconselhamento adequado.

Tabela 1.0:
Ajuste (ranhura) da altura MX2

Estrutura do encosto Altura	Intervalo de ajuste
150 mm (6")	13 mm (1/2")
230 mm (9")	51 mm (2")
310 mm (12")	51 mm (2")
410 mm (16")	89 mm (3,5")

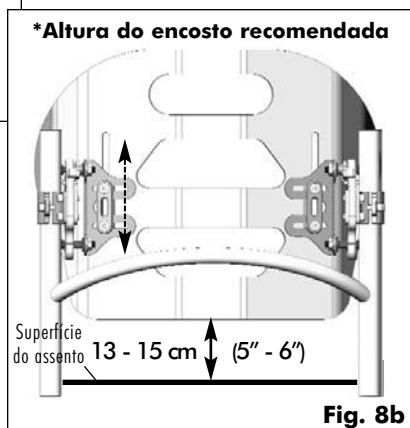


Fig. 8b

4.0 ENCOSTO MX2 - INSTALAÇÃO DE MONTAGEM REMOVÍVEL

4.8 Encosto MX2: Ajustes de ângulo e profundidade

ⓘ IMPORTANTE! Tenha em atenção que os ajustes de **ângulo** e **profundidade** no encosto MX2 são também feitos simultaneamente. Estes dois ajustes são concluídos mais facilmente desapertando as ferragens de ajuste de ambas as unidades de grampos. (*Nota: para uma instalação standard, os ajustes de profundidade e ângulo devem ser feitos simetricamente em ambas as placas de fixação.*)

- 1 **Ajuste do ângulo MX2:** Se necessário, o ângulo do encosto MX2 pode ser ajustado através dos dois parafusos de ajuste de profundidade/ângulo (A) em cada unidade de grampo de fixação (B) (consulte a Fig. 9a).
- 2 Desaperte os parafusos de ajuste de profundidade/ângulo (x2) em cada unidade de grampo e rode a placa de fixação (C) para a frente ou para atrás para atingir o ângulo de encosto pretendido (**intervalo de ajuste do ângulo = $\pm 15^\circ$** ; consulte a Fig. 9b).

Instalação do MX2: Ajuste do ângulo do encosto

Fig.9a

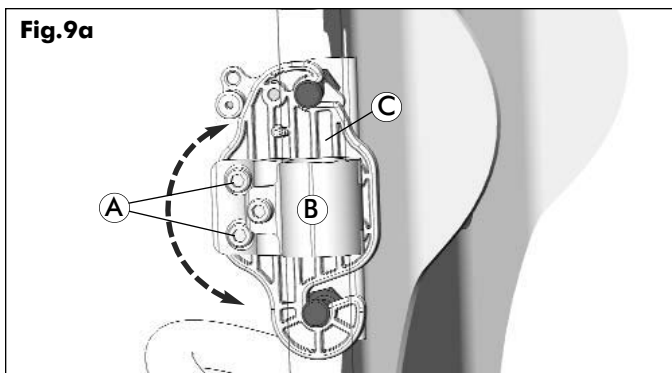
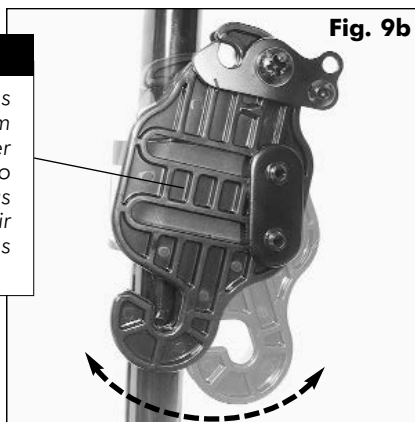


Fig. 9b



Ajuste do ângulo ($\pm 15^\circ$)

! ATENÇÃO

As linhas verticais moldadas nas placas de fixação foram concebidas como um ponto de referência para ajudar a obter ajustes simétricos. Ao ajustar o ângulo do encosto MX2, é possível utilizar as linhas verticais para ajudar a definir o mesmo ajuste de ângulo em ambas as placas de fixação.

4.0 ENCOSTO MX2 - INSTALAÇÃO DE MONTAGEM REMOVÍVEL

- 3 **Ajuste da profundidade MX2:** A profundidade global do encosto MX2 é controlada por dois ajustes independentes:

Orientação do grampo de barra MX2: (consulte também a **Secção 4.4**) Os grampos de barras MX2 (B) podem ser montados na orientação standard (recuada) ou numa orientação invertida (frontal) para profundidades de assento menores (consulte a **Fig. 10**).

Na **instalação mais recuada (1)**, a profundidade do encosto = **44 mm (-1,75")**.

Na **instalação mais à frente (2)**, a profundidade do encosto = **57 mm (+2,25")**.

(*Nota: as medidas são relativas às barras posteriores e medidas em relação à posição do pino de fixação.*)

Intervalo máximo de ajuste da profundidade frontal/recuado (da instalação mais recuada à instalação mais frontal) = **108 mm (4,25")**

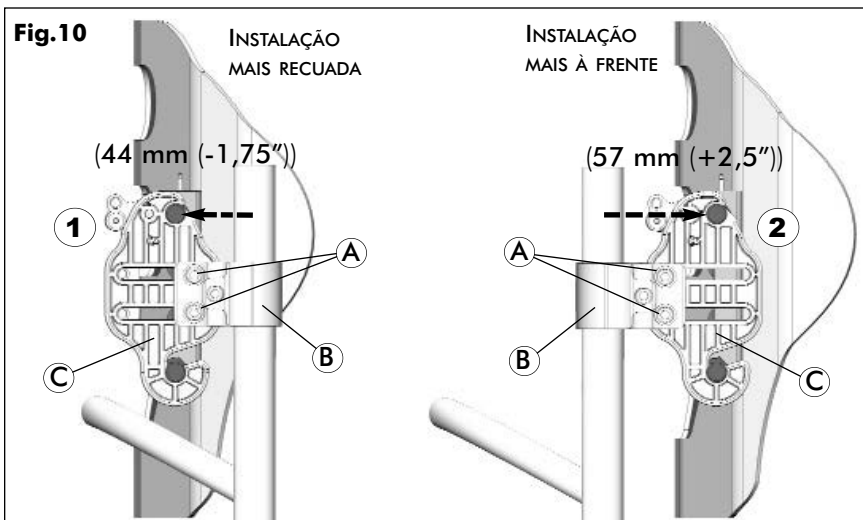
Ajuste da profundidade da placa de fixação MX2*:

Os canais ranhurados nas placas de fixação MX2 (C) permitem até **44 mm (1,75")** de ajuste da profundidade no intervalo máximo de ajuste. (Consulte a **Fig. 11 (p.28)**.)

***NOTA:** o intervalo de ajuste da profundidade da placa de fixação disponível será mais limitado quando o ângulo do encosto MX2 for alterado.

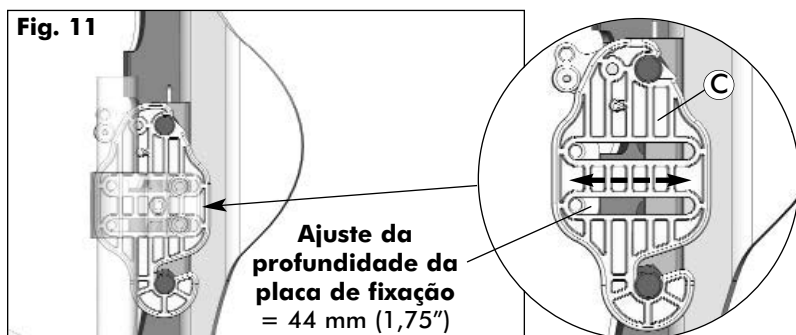
- 4 Para ajustar, desaperte os dois parafusos de ajuste (A) em cada unidade de grampo de barra e faça deslizar as placas de fixação (C) para a frente ou para trás através das ranhuras de ajuste para obter a profundidade de encosto pretendida.
- 5 Assim que todos os ajustes de ângulo e profundidade sejam concluídos, prenda bem **todas** as ferragens.

Instalação do MX2: Ajuste da profundidade do encosto



4.0 ENCOSTO MX2 - INSTALAÇÃO DE MONTAGEM REMOVÍVEL

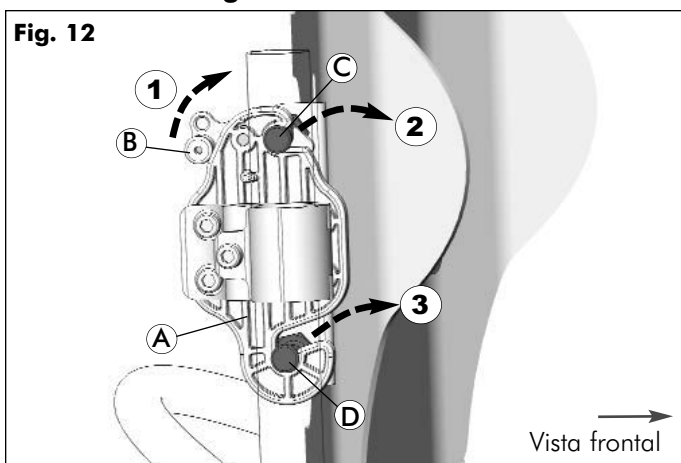
Instalação do MX2: Ajuste da profundidade do encosto



4.9 Remover o encosto MX2 das ferragens QR

- 1 Remova/desengate o encosto MX2 das placas de fixação (A) do seguinte modo (consulte a Fig.12 abaixo):
 - i. De pé atrás da cadeira de rodas, levante **simultaneamente** o mecanismo de desengate de fecho (B) em ambas as placas de fixação (1);
 - ii. Com os fechos abertos, pressione a parte superior do encosto MX2 para a frente (2) para desengatar os pinos de fixação superiores (C) das placas de fixação (A).
 - iii. Com os pinos superiores desengatados, levante o encosto MX2 para cima e para a frente (3) para soltar os pinos de fixação inferiores (D) das placas de fixação.

Remover/Desengatar o encosto MX2



5.0 CUIDADOS E MANUTENÇÃO

5.1 Cuidados e lavagem:

i IMPORTANTE! Todos os agentes de limpeza e desinfetantes utilizados devem ser eficazes, compatíveis entre si e passíveis de proteger os materiais aos quais são aplicados para limpeza.

! CUIDADO! Risco de danos no produto
NÃO utilize agentes de limpeza com lixívia, fenóis ou álcoois.

Cuidados gerais e limpeza:

A capa pode ser facilmente limpa com um pano húmido sempre que necessário.

Instruções de lavagem (capa exterior):

1. Retire cuidadosamente a capa soltando os fechos das presilhas de velcro nas extremidades superior e inferior e no interior da estrutura do encosto.

NOTA: antes de lavar, tem de remover a almofada com interior de espuma.

2. Lave na máquina a 60 °C utilizando o ciclo para peças delicadas (consulte as Instruções na etiqueta).

i IMPORTANTE! A lavagem a temperaturas mais elevadas pode causar encolhimento.

3. Pendure a capa num ambiente interior limpo e deixe-a secar;

ou

Seque à máquina com uma definição de temperatura baixa.

i IMPORTANTE!

- A definição de secagem à máquina não pode ultrapassar os 40 °C.
- Não secar à máquina durante mais de 10 minutos.
- Secar bem antes de voltar a introduzir a espuma.
- Não passar a ferro.
- Não limpar a seco.

5.2 Manutenção e inspeção:

Mensalmente: Efetue uma inspeção visual das peças, incluindo ferragens, suportes, materiais de estofa, espumas e plásticos, procurando sinais de deformação, corrosão, fratura, desgaste ou compressão.

! ADVERTÊNCIA! Risco de lesões ou danos

Inspeccione **TODOS** os fechos semanalmente para assegurar que as ligações mecânicas e as ferragens incorporadas estão apertadas com segurança.

NÃO continue a utilizar este produto se detetar problemas. O produto pode ser reparado pelo fornecedor do equipamento ou podem ser-lhe aplicadas medidas corretivas.

6.0 OPÇÕES DO ENCOSTO MX2

6.1 (Opcional) Instalação/ajuste do apoio lombar

! ATENÇÃO

O apoio lombar é um encaixe de espuma pré-fabricado que faculta um suporte para a parte inferior das costas, o que garante um conforto adicional. A posição do encaixe lombar pode ser ajustada dentro da capa do encosto Invacare® Matrx® MX2 (consulte as instruções abaixo); este encaixe pode também ser removido se não se desejar um apoio lombar.

1. Para aceder ao apoio lombar, abra as tiras de velcro na capa externa A na parte posterior inferior da estrutura posterior.
2. O apoio lombar de espuma B está instalado dentro da capa do encosto Invacare® Matrx® MX2, entre a almofada posterior de espuma C e a estrutura posterior D.
3. O apoio lombar pode ser ajustado para ficar em qualquer posição e altura desejadas.
4. Volte a fixar a capa (utilizando as tiras de velcro) no painel posterior.

Apoio lombar



***NOTA:** A espuma lombar pode ser cortada/modificada conforme necessário para atender às necessidades do utilizador final.



ajuste a posição lombar conforme necessário para remover completamente

6.0 OPÇÕES DO ENCOSTO MX2

6.2 Aba de privacidade (Opcional) (vendida em separado)

Estão disponíveis abas de privacidade (vendidas em separado) para utilização com todos os encostos MX2 de tamanho standard. Todos os encostos de tamanho standard são fornecidos com uma presilha de velcro já cosida na parte posterior inferior da proteção da almofada para instalação da aba de privacidade.

Consulte o gráfico para determinar o tamanho correto da aba de privacidade do encosto MX2.

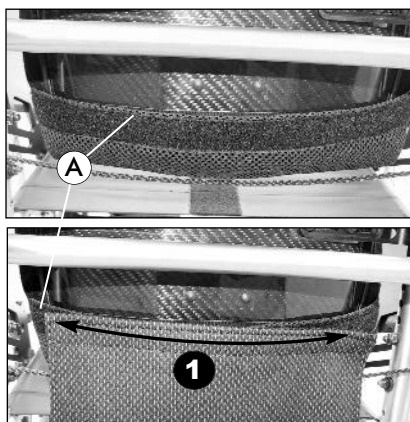
LARGURA	ABA DE PRIVACIDADE
36 cm (14 pol.)	PFLAP-XS 26 cm x 41 cm (10" x 16")
38 cm (15 pol.)	PFLAP-S 33 cm x 41 cm (13" x 16")
41 cm (16 pol.)	
43 cm (17 pol.)	PFLAP-M 38 cm x 41 cm (15" x 16")
46 cm (18 pol.)	



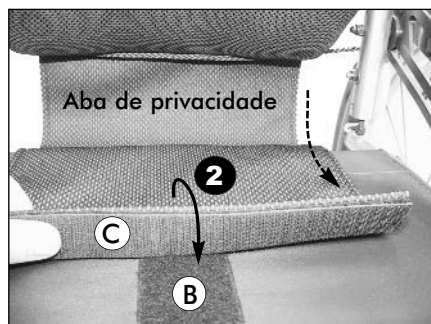
Instruções de instalação:

1. Retire a almofada do assento da cadeira de rodas (se instalada).
2. Assegure que o encosto está ajustado para a altura pretendida. (Consulte a **Secção 4.0, Figura 8.**)
3. De pé *atrás* da cadeira de rodas (e voltado para a frente), alinhe/fixe a tira de velcro na aba de privacidade à tira de velcro cosida na parte posterior inferior da proteção do encosto MX2 **(A)**. (Consulte o Passo **1** abaixo.)
4. Puxe a extremidade oposta (não fixada) da aba de privacidade, fazendo-a passar pelo espaço entre a estrutura do encosto inferior e o assento da cadeira de rodas.
5. Fixe a tira de velcro na aba de privacidade à tira de Velcro pré-existente* **(B)** no assento da cesta ou no painel do assento da cadeira de rodas. (Consulte o Passo **2** abaixo.)

***NOTA:** se o assento da cadeira de rodas tiver uma tira de velcro correspondente instalada, fixe a Aba de Privacidade utilizando a tira de dupla face **(C)** fornecida.



VISTA POSTERIOR



VISTA FRONTAL

matrix[®]
SEATING SERIES



Schienale Matrix MX2

**ATTACCO FISSO e
ATTACCO RIMOVIBILE**

INSTALLAZIONE/REGOLAZIONE

i IMPORTANTE. Le istruzioni di installazione contenute in questo manuale devono essere eseguite esclusivamente da un tecnico qualificato.

RIVENDITORE: il presente manuale DEVE essere consegnato all'utilizzatore del prodotto.

UTILIZZATORE: prima di utilizzare il prodotto, leggere attentamente questo manuale e conservarlo per poterlo consultare in futuro.



TRD0439 Rev B

GARANZIA

NOTA BENE: LA SEGUENTE GARANZIA È CONFORME ALLA LEGGE FEDERALE RELATIVA AI PRODOTTI FABBRICATI DOPO IL 4 LUGLIO 1975.

Tale garanzia è valida solo per l'acquirente/utilizzatore dei nostri prodotti. La garanzia conferisce all'utilizzatore diritti legali specifici ed eventualmente altri diritti legali variabili da Stato a Stato. Invacare/Motion Concepts garantisce per due anni di utilizzo da parte dell'acquirente originale che questo prodotto è privo di difetti di materiali e di fabbricazione. Questa garanzia non si applica a forature, lacerazioni o bruciature, né al rivestimento del cuscino rimovibile. Se entro tale periodo di garanzia, il prodotto presenta dei difetti, sarà riparato o sostituito, a discrezione di Invacare/Motion Concepts, con parti ricondizionate o nuove. La garanzia non comprende le spese di manodopera e di spedizione sostenute per l'installazione di pezzi di ricambio o la riparazione del prodotto. Le riparazioni del prodotto non estendono la durata della garanzia, pertanto la copertura della garanzia per il prodotto riparato cessa al termine della garanzia limitata. L'unico obbligo di Invacare/Motion Concepts è l'unico ricorso ai sensi della presente garanzia sono limitati a tale riparazione e/o sostituzione. Per l'assistenza in garanzia, contattare il rivenditore presso il quale è stato acquistato il prodotto Invacare/Motion Concepts. Nel caso in cui non si riceva un'assistenza soddisfacente in garanzia, vi invitiamo a scrivere direttamente a Invacare/Motion Concepts all'indirizzo indicato sul retro della copertina. Fornire il nome del rivenditore, l'indirizzo, il numero di modello, la data di acquisto, indicare la natura del difetto e, se il prodotto è prodotto in serie, indicare il numero di serie.

Invacare Corporation/Motion Concepts rilasceranno un'autorizzazione per la restituzione. L'unità o i pezzi difettosi devono essere restituiti per l'ispezione in garanzia usando il numero di serie, se presente, come identificazione entro trenta (30) giorni dalla data dell'autorizzazione per la restituzione.

NON restituire i prodotti alla nostra fabbrica senza il nostro consenso. Le spedizioni con pagamento a carico del destinatario saranno rifiutate, pertanto l'utilizzatore è pregato di pagare in anticipo le spese di spedizione.

LIMITAZIONI ED ESCLUSIONI: LA GARANZIA NON SI APPLICA AI PROBLEMI DERIVANTI DALLA NORMALE USURA O DAL MANCATO RISPETTO DELLE ISTRUZIONI ALLEGATE. INOLTRE, LA SUDETTA GARANZIA NON SI APPLICA AI PRODOTTI CON NUMERO DI SERIE SE TALE NUMERO È STATO RIMOSSO O RESE ILLEGGIBILE, AI PRODOTTI SOGGETTI A NEGLIGENZA, INCIDENTI, USO, MANUTENZIONE O CONSERVAZIONE IMPROPRI; O AI PRODOTTI MODIFICATI SENZA IL CONSENSO SCRITTO ESPlicito DI INVACARE/MOTION CONCEPTS COMPRESI, SENZA TITOLO LIMITATIVO: LE MODIFICHE APPORTATE TRAMITE L'UTILIZZO DI PARTI O ACCESSORI NON AUTORIZZATI: I PRODOTTI DANNEGGIATI A CAUSA DI RIPARAZIONI APPORTATE A UNO DEI COMPONENTI SENZA LO SPECIFICO CONSENSO DI INVACARE/MOTION CONCEPTS; I PRODOTTI DANNEGGIATI DA CIRCOSTANZE ESTRANEE A INVACARE/MOTION CONCEPTS; I PRODOTTI RIPARATI DA UN RIVENDITORE NON INVACARE/MOTION CONCEPTS, TALE VALUTAZIONE SARÀ UNICAMENTE DETERMINATA DA INVACARE/MOTION CONCEPTS.

LA SUDETTA GARANZIA È ESCLUSIVA ED EVENTUALMENTE SOSTITUISCE OGNI ALTRA GARANZIA ESPLICITA, INCLUSE LE GARANZIE IMPLICITE DI COMMERCIALITÀ E IDONEITÀ PER UN PARTICOLARE SCOPO. ESSA NON SI ESTENDE OLTRE LA DURATA DELLA GARANZIA ESPLICITA QUI FORNITA E IL RICORSO PER LE VIOLAZIONI DI QUALUNQUE GARANZIA IMPLICITA SARÀ LIMITATO ALLA RIPARAZIONE O ALLA SOSTITUZIONE DEL PRODOTTO DIFETTOSO AI SENSI DELLE PRESENTI CONDIZIONI. INVACARE/MOTION CONCEPTS NON SARANNO RESPONSABILI DI EVENTUALI DANNI CONSEGUENTI O ACCIDENTALI DI QUALUNQUE FORMA ESSI SIANO. LA PRESENTE GARANZIA DEVE RISPETTARE LE LEGGI E LE NORMATIVE STATALI/PROVINCIALI VIGENTI.

Questo manuale non può essere riprodotto né ristampato parzialmente o interamente se non previa autorizzazione scritta da parte di Motion Concepts o dei suoi rappresentanti legali.

Questo manuale d'uso è stato compilato in base alle ultime specifiche e informazioni disponibili sul prodotto al momento della pubblicazione. Ci riserviamo il diritto di apportare eventuali qualora fossero necessarie. Eventuali modifiche apportate ai nostri prodotti possono determinare lievi variazioni tra le illustrazioni e le spiegazioni di questo manuale e il prodotto acquistato. Per domande o dubbi circa le informazioni fornite in questo manuale, contattare il nostro ufficio Assistenza clienti.


Motion Concepts LP Copyright © 2017


Sommario


- 1.0 Avvertenze generali
- 2.0 Informazioni di sicurezza
- 3.0 Installazione/Regolazione dell'MX2 - **Attacco fisso**
- 4.0 Installazione/Regolazione dell'MX2 - **Attacco rimovibile**
- 5.0 Istruzioni per la cura e la manutenzione
- 6.0 Opzioni MX2


SIMBOLI RELATIVI ALLA SICUREZZA:

La corretta regolazione e un uso sicuro dello schienale Invacare Matrix MX2 dipendono dalla capacità di giudizio e buon senso propri e del proprio fornitore, assistente e/o operatore sanitario professionale. I seguenti simboli sono utilizzati in tutto il manuale d'uso per identificare avvertenze, precauzioni e note importanti. È fondamentale leggerli e comprenderli completamente.

 **ATTENZIONE!** Il mancato rispetto delle precauzioni contenute in questo manuale può causare danni al sistema di seduta Matrix.

 **AVVERTENZA!** Il mancato rispetto delle avvertenze contenute in questo manuale può avere come conseguenza lesioni personali.

 **IMPORTANTE!** Informazioni importanti da ricordare durante l'installazione e la regolazione del sistema di seduta Matrix.

 **IMPORTANTE!** Fare riferimento al manuale utilizzatore/operatore della carrozzina per ulteriori informazioni, avvertenze e precauzioni relative all'uso della carrozzina.

1.0 AVVERTENZE GENERALI/INFO

1.1 Panoramica

▲ AVVERTENZA PER L'UTILIZZATORE

NON USARE QUESTO PRODOTTO O NESSUN ALTRO DISPOSITIVO OPZIONALE DISPONIBILE SENZA PRIMA AVER LETTO ATTENTAMENTE E COMPRESO FINO IN FONDO LE PRESENTI ISTRUZIONI ED OGNI ALTRO MATERIALE INFORMATIVO COME MANUALE UTENTE, MANUALE PER LA MANUTENZIONE O FOGLI DI ISTRUZIONE FORNITI CON QUESTO PRODOTTO O CON I KIT AGGIUNTIVI. NEL CASO IN CUI SEGNALAZIONI, AVVERTENZE O ISTRUZIONI FOSSERO DI DIFFICILE COMPrensIONE, CONTATTARE PERSONALE MEDICO, IL RIVENDITORE O TECNICI ADEGUATAMENTE PREPARATI PRIMA DI INIZIARE AD UTILIZZARE QUESTE ATTREZZATURE; IN MODO DA EVITARE OGNI POSSIBILE LESIONE PERSONALE O DANNO.

i INFORMAZIONI IMPORTANTI

Il modo migliore per evitare problemi legati a piaghe da decubito è capire le loro cause e il proprio ruolo personale in un programma di trattamento della pelle. È opportuno consultare il proprio terapeuta e medico in caso di domande riguardanti le limitazioni e le esigenze personali.

Tutte le superfici di supporto devono essere scelte con cura. Lavorare con il proprio terapeuta e con il proprio medico è il modo migliore per assicurarsi che la scelta del cuscino corrisponda alle proprie esigenze personali. La valutazione del sistema posturale diventa più importante man mano che le esigenze della persona si fanno più complesse.

Schienali Invacare® Matr® MX2

Lo schienale Invacare® Matr® MX2 è sagomato per essere posizionato correttamente nella carrozzina e per un supporto posturale ottimale. La gommapiuma sporge lungo i bordi per offrire maggiore comfort e protezione.

Lo schienale Invacare® Matr® MX2 comprende anche un supporto lombare opzionale che può essere installato/inserito dietro il cuscino in gommapiuma per offrire una maggiore capacità di posizionamento. Fare riferimento alla **Sezione 6.0 - Supporto lombare**.

Il rivestimento esterno è realizzato in un materiale a maglia traspirante, unito a un materiale in similpelle che lo rende più resistente. Si raccomanda di pulire e controllare regolarmente il rivestimento esterno. Fare riferimento alla **Sezione 5.0 - Cura e manutenzione**.

1.2 Elementi di consumo e componenti soggetti a usura

i IMPORTANTE! Gli elementi e i componenti soggetti a normale consumo e usura includono, ma non solo: tutti gli elementi del rivestimento, inclusi i cuscini e il rivestimento posteriori. Invacare si riserva il diritto di richiedere la restituzione di qualsiasi elemento con presunti difetti di lavorazione. Consultare **l'Informativa sulla garanzia** (sul retro) per informazioni specifiche sulla garanzia.

Per informazioni sul programma di manutenzione preventiva appropriato e sull'uso corretto del prodotto, fare riferimento al presente Manuale d'uso. Queste sono solo linee guida generali e non includono gli elementi danneggiati a causa di negligenza o uso improprio. La vita utile varia in base a molti fattori.

1.3 Uso previsto

I nostri schienali Invacare® Matr® MX2 sono ideati per essere posizionati correttamente nella carrozzina e per offrire un supporto posturale ottimale.

2.0 INFORMAZIONI PER LA SICUREZZA

2.1 Avvertenze per il trasporto in un veicolo

⚠ AVVERTENZA!

Rischio di lesioni gravi durante il trasporto del cliente in una carrozzina dotata di uno schienale Invacare® Matrx® MX2 in un veicolo a motore.

- Per quanto possibile Invacare raccomanda che il cliente sia trasferito dalla carrozzina al sedile del veicolo utilizzando una cintura di sicurezza a tre punti (cintura subaddominale e diagonale).
- Gli schienali Invacare® Matrx® MX2 possono essere utilizzati solo con carrozzine che rispettano i requisiti di prestazione delle norme RESNA WC19 o ISO 7176-19.
- Per il trasporto sicuro di un cliente su una carrozzina in un veicolo a motore, fare riferimento ai manuali d'uso della carrozzina e al sistema di sicurezza e ancoraggio per passeggeri (WTORS).

2.2 Informazioni generali sulla sicurezza

⚠ AVVERTENZA! Rischio di morte, lesioni gravi o danni

Un uso improprio del prodotto può causare lesioni o danni. Qualora alcune avvertenze, precauzioni o istruzioni fossero di difficile comprensione, contattare un operatore sanitario professionale o il rivenditore prima di iniziare a utilizzare questa apparecchiatura. NON usare questo prodotto o nessun altro dispositivo opzionale disponibile senza prima aver letto e compreso attentamente e fino in fondo le presenti istruzioni ed ogni altro materiale informativo come il Manuale d'uso, il Manuale per la manutenzione o i Fogli di istruzione forniti con questo prodotto o con gli accessori.

⚠ AVVERTENZA! Rischio di morte, lesioni gravi o danni

Le sigarette accese cadute su sistemi di seduta con imbottiture possono causare un incendio che può provocare la morte, lesioni gravi o danni. Gli utilizzatori in carrozzina sono particolarmente esposti al rischio di morte o lesione grave a causa di questi incendi e dei relativi fumi perché non sono in grado di allontanarsi dalla carrozzina.

- NON fumare mentre si utilizza la carrozzina.

⚠ AVVERTENZA! Pericolo di lesioni

I prodotti Invacare® Matrx® sono appositamente progettati e costruiti per essere utilizzati con accessori Invacare® Matrx®. Accessori progettati da altri costruttori non sono stati collaudati da Invacare, pertanto se ne sconsiglia l'uso con i prodotti Invacare® Matrx®.

⚠ AVVERTENZA! Pericolo di lesioni

Controllare frequentemente le condizioni della cute dopo l'installazione di un nuovo sistema di seduta. È opportuno consultare il proprio terapeuta e il proprio medico in caso di domande riguardanti le limitazioni e le esigenze personali. La valutazione del sistema posturale diventa più importante man mano che le esigenze della persona si fanno più complesse.

2.0 INFORMAZIONI PER LA SICUREZZA

2.3 Avvertenze per l'installazione

▲ AVVERTENZA! Pericolo di lesione grave

Nello stabilire la posizione di montaggio dello schienale Invacare® Matr^x MX2, assicurarsi che la stabilità della carrozzina non sia compromessa. La regolazione della posizione dello schienale (avanti e indietro) altera il baricentro dell'utilizzatore nella carrozzina. Una posizione dello schienale eccessivamente reclinata all'indietro può ridurre significativamente la stabilità posteriore della carrozzina. Allo stesso modo, una posizione dello schienale eccessivamente in avanti riduce la stabilità anteriore della carrozzina.

▲ AVVERTENZA! Pericolo di lesioni gravi o danni

- Le procedure indicate nel presente manuale devono essere eseguite da tecnici qualificati.
- Una viteria di fissaggio allentata può causare la perdita di stabilità e provocare gravi lesioni personali o danni al prodotto.
- Dopo QUALSIASI intervento di regolazione, riparazione o manutenzione e prima dell'utilizzo, assicurarsi che tutta la viteria di fissaggio sia serrata in modo appropriato.
- NON installare lo schienale Invacare® Matr^x MX2 sui tubi posteriori con un diametro esterno superiore a 1 pollice (25 mm) o inferiore a 3/4 di pollice (19 mm). In caso contrario, potrebbero verificarsi lesioni o danni.
- Lo schienale Invacare® Matr^x MX2 non è concepito per l'uso con i sistemi di seduta elettrici.
- La posizione di montaggio dello schienale Invacare® Matr^x MX2 è direttamente correlata alla stabilità della carrozzina. Prima dell'uso potrebbe essere necessario riposizionare le ruote orientabili anteriori, le ruote posteriori, l'inclinazione dello schienale, il sistema di inclinazione, la posizione reclinata e/o la profondità del sedile.
- Prima dell'uso, assicurarsi che lo schienale Invacare® Matr^x MX2 sia fissato correttamente alla carrozzina. In caso contrario, potrebbero verificarsi lesioni o danni.

▲ AVVERTENZA! Pericolo di lesioni gravi o danni

La viteria per l'installazione fornita è ad alta resistenza e testata per durare a lungo. **NON sostituire la viteria.** Usare solo la viteria originale del Matr^x MX2 in dotazione.

2.4 Dimensioni schienale/Portata:

MODELLO CONFIGURATO	DESCRIZIONE	PROFONDITÀ DELLA SCOCCA	PORTATA
IMX2wwhh	Schienale Matr ^x MX2	3 pollici (76 mm)	113 kg (250 libbre)

* ww hh = larghezza/altezza

Dimensioni disponibili: Larghezza: 14 - 18 pollici (355 mm - 460 mm);
Altezza: 6 pollici (150 mm), 9 pollici (230 mm),
12 pollici (310 mm), 16 pollici (410 mm)

Contattare il rivenditore o il proprio terapeuta per stabilire le dimensioni e il modello di schienale appropriati per le proprie esigenze. Per ulteriori informazioni sui nostri schienali Matr^x, ad esempio per conoscere tutti i modelli e le dimensioni disponibili, visitare il sito www.motionconcepts.com o www.invacare.com.

3.0 SCHIENALE MX2 - INSTALLAZIONE TRAMITE ATTACCO FISSO

3.1 Kit di viteria per l'attacco fisso

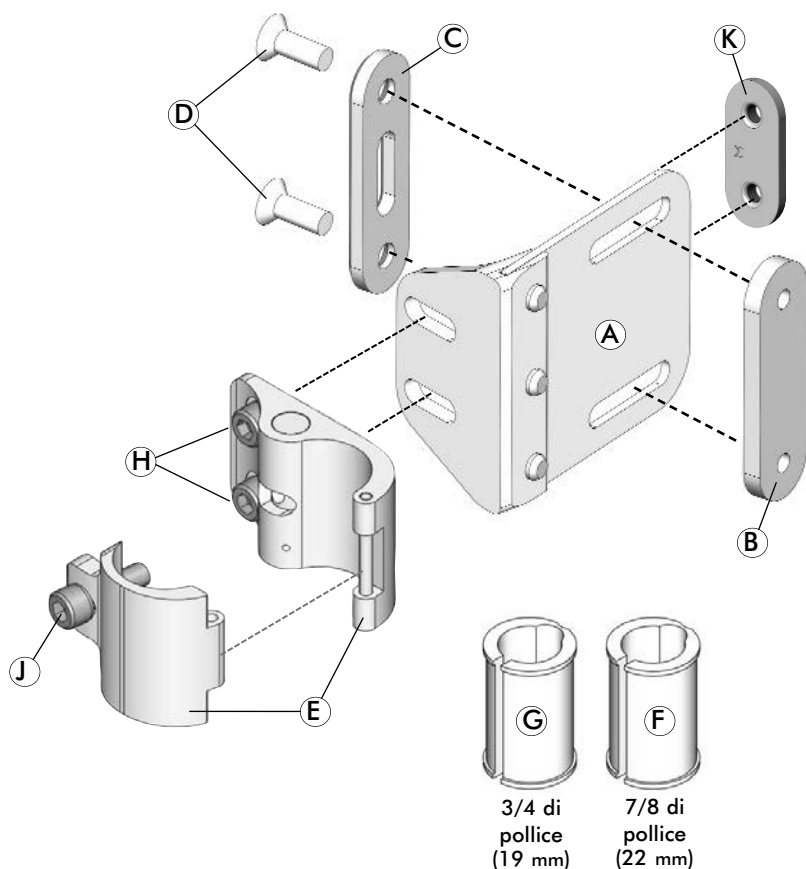
i) Gruppo staffa di montaggio (installazioni sul guscio dello schienale MX2):

- | | |
|---|--|
| 2 - Staffe di montaggio fisse (A) | 2 - Piastre per le rondelle della staffa fissa (C) |
| 2 - Piastra per i dadi della staffa fissa (B) | 4 - Viti della staffa fissa (D) |

ii) Morsetto per tubi Montaggio (installazione sui tubi posteriori della carrozzina):

- | | |
|---|---|
| 2 - Morsetto per tubi (E) | 4 - Viti di regolazione della profondità/reclinazione (H) |
| 2 - Inserti dei tubi 7/8 di pollice (22 mm) (F) | 2 - Viti dei morsetti per tubi (J) |
| 2 - Inserti dei tubi 3/4 di pollice (19 mm) (G) | 2 - Piastre per dadi dei morsetti per tubi (K) |

(Illustrazione relativa al montaggio della viteria destra)



3.0 SCHIENALE MX2 - INSTALLAZIONE TRAMITE ATTACCO FISSO

3.2 Utensili necessari

Chiave esagonale (4 mm/5 mm) (fornita)

Metro a nastro/righello

! **NOTA BENE**

Se uno dei componenti per il montaggio in dotazione è mancante o non è posizionato correttamente, contattare il rappresentante locale Invacare/Motion Concepts per ottenere i ricambi necessari.

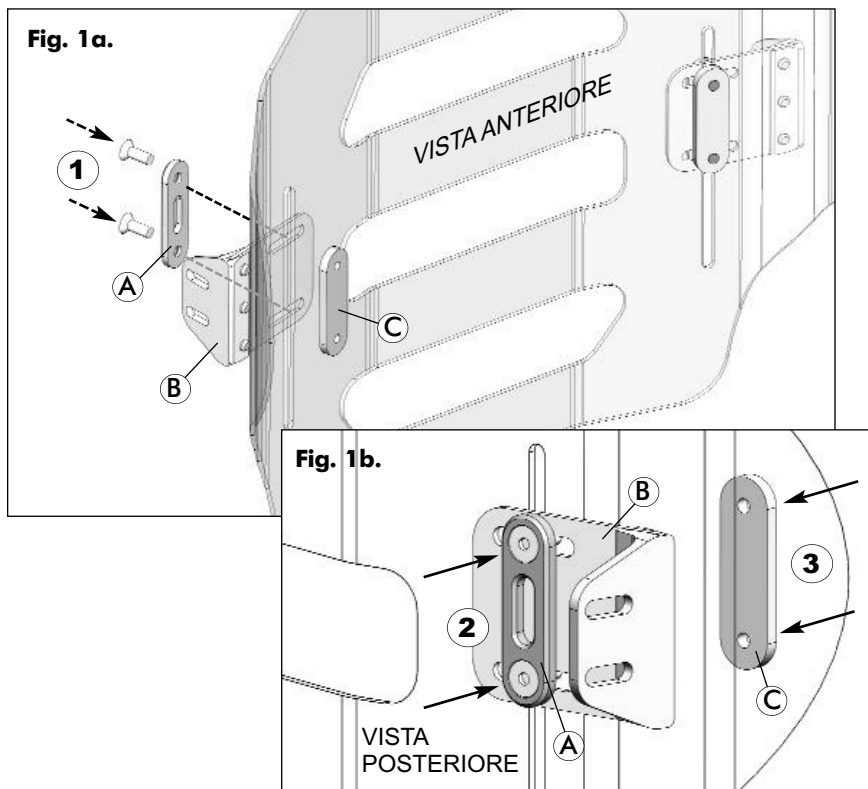
3.3 Installazione dell'MX2 su staffa di attacco fisso

i **NOTA:** prima di eseguire l'installazione sulle staffe di montaggio fisse rimuovere o allentare con cura il rivestimento dell'MX2 rilasciando i dispositivi di fissaggio in velcro che si trovano sul bordo superiore e inferiore e all'interno del guscio dello schienale.

- 1 Agendo su un lato del guscio dello schienale, installare la staffa di montaggio fissa sul guscio dello schienale Invacare® Matr[®] MX2 nel modo seguente:
 - Allineare la piastra per le rondelle (A) con le scanalature della staffa di montaggio fissa (B) e inserire le viti facendole passare attraverso i due componenti (1) (fare riferimento alla Fig. 1a);
 - Dal retro del guscio dello schienale, installare le 2 viti sporgenti dalla staffa di montaggio facendole passare attraverso la scanalatura verticale del guscio dello schienale MX2 (2) (fare riferimento alla Fig. 1b);
 - Per fissare la staffa di montaggio al guscio dello schienale MX2, avvitare le viti sporgenti alla piastra per i dadi (C) sulla parte anteriore (interna) del guscio dello schienale (3) (fare riferimento alla Fig. 1b).
- 2 Installare la restante staffa di montaggio fissa sul lato opposto del guscio dello schienale (come per il **Passaggio 1** descritto in precedenza).

3.0 SCHIENALE MX2 - INSTALLAZIONE TRAMITE ATTACCO FISSO

Installazione della staffa di attacco fisso



3.4 Pre-installazione: orientamento del morsetto per tubi dell'MX2

❗ IMPORTANTE! Prima di installare i morsetti per tubi dell'MX2, occorre stabilirne l'orientamento.

Nella **configurazione standard**, i morsetti per tubi (A) vengono assemblati e montati sui tubi posteriori con l'orientamento più arretrato. Questa configurazione massimizza la profondità disponibile del sedile sulla carrozzina - fare riferimento alla Fig. 2a.

Nella **configurazione invertita***, i morsetti per tubi (A) sono ruotati di 180° sui tubi posteriori. Questa configurazione riduce al minimo la profondità del sedile disponibile e pone lo schienale MX2 in una posizione più avanzata, se necessario - fare riferimento alla Fig. 2b.

I morsetti per tubi (A) offrono un gioco di **1,5 pollici (38 mm)** avanti o indietro (rispetto al tubo dello schienale) in base alla configurazione di montaggio prescelta.

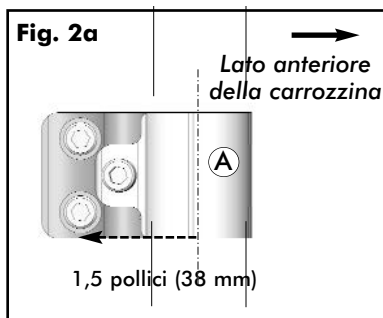
3.0 SCHIENALE MX2 - INSTALLAZIONE TRAMITE ATTACCO FISSO

3.4 Pre-installazione: orientamento del morsetto per tubi dell'MX2 (...continuazione)

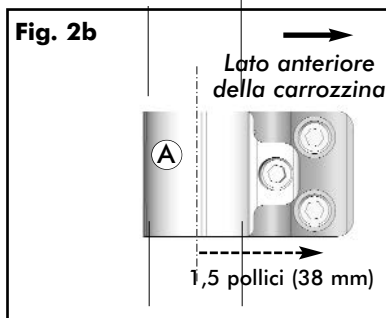
⚠ AVVERTENZA! Pericolo di lesione grave

Quando si stabilisce la posizione finale di montaggio dello schienale Invacare® Matrix® MX2, assicurarsi che la stabilità della carrozzina non sia compromessa. La regolazione della posizione dello schienale (avanti e indietro) altera il baricentro dell'utilizzatore nella carrozzina. Una posizione dello schienale eccessivamente reclinata all'indietro può ridurre significativamente la stabilità posteriore della carrozzina. Allo stesso modo, una posizione dello schienale eccessivamente in avanti riduce la stabilità anteriore della carrozzina.

Orientamento del morsetto per tubi dell'MX2



Tubo standard Configurazione del morsetto
(profondità del sedile massima)



Tubo invertito Configurazione del morsetto
(profondità del sedile minima)

3.5 Installazione del morsetto per tubi dell'MX2:

I morsetti per tubi dell'MX2 sono concepiti per permettere l'installazione su tubi posteriori del diametro di 1 pollice (25 mm), 7/8 di pollice (22 mm) e 3/4 di pollice (19 mm). (Gli inserti in plastica (A) sono forniti per alloggiare tubi posteriori di diametro minore*).

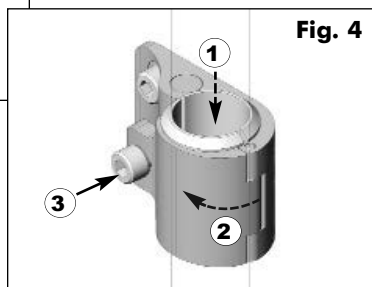
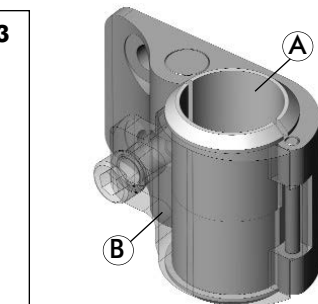
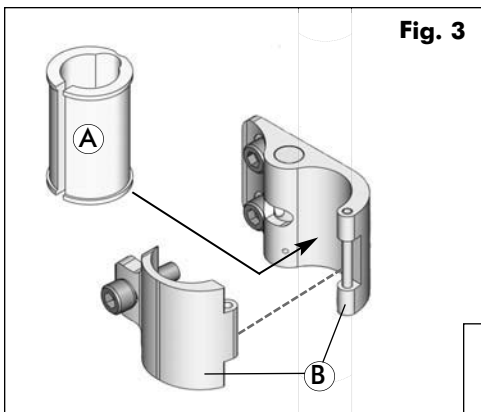
- 1 Rimuovere il retro esistente della carrozzina (se presente).
- 2 Installare il gruppo morsetto per tubi (B) su ciascun tubo dello schienale, senza stringere troppo, con l'orientamento desiderato - per una panoramica dell'installazione, vedere la Fig. 3 e la Fig. 4.

*Inserimento di tubi dello schienale di diverse dimensioni:

- Tubi da 1 pollice (25 mm) - Non sono necessari inserti in plastica
- Tubi da 7/8 di pollice (22 mm) - Installare gli inserti in plastica da 7/8 di pollice (22 mm) (x2)
- Tubi da 3/4 di pollice (19 mm) - Installare gli inserti in plastica da 3/4 di pollice (19 mm) (x2)

3.0 SCHIENALE MX2 - INSTALLAZIONE TRAMITE ATTACCO FISSO

Installazione del morsetto per tubi dell'MX2



SUGGERIMENTO UTILE

Nebulizzare una piccola quantità di lacca per capelli sui tubi posteriori e sulla parte interna degli inserti in plastica per ottenere un saldo legame "antiscivolo".

- 3 Partendo da un lato, far scorrere/regolare il gruppo morsetto per tubi (B) nell'altezza o nella posizione desiderata sul tubo dello schienale e serrare saldamente in posizione.

Nota: *l'altezza posteriore finale può essere regolata ulteriormente con precisione eseguendo l'installazione del guscio dello schienale MX2 sui morsetti per tubi (vedere la Fig. 5).*

Regolazione dell'altezza del morsetto per tubi dell'MX2



3.0 SCHIENALE MX2 - INSTALLAZIONE TRAMITE ATTACCO FISSO

3.5 Installazione del morsetto per tubi dell'MX2: (...continuazione)

- 4 Da un punto fisso sulla carrozzina (es. telaio del sedile/barra di irrigidimento) misurare prima l'altezza esatta del morsetto per tubi dello schienale (B) e fissare il secondo morsetto per tubi (B) alla stessa altezza sul tubo dello schienale opposto (vedere la Fig. 5).

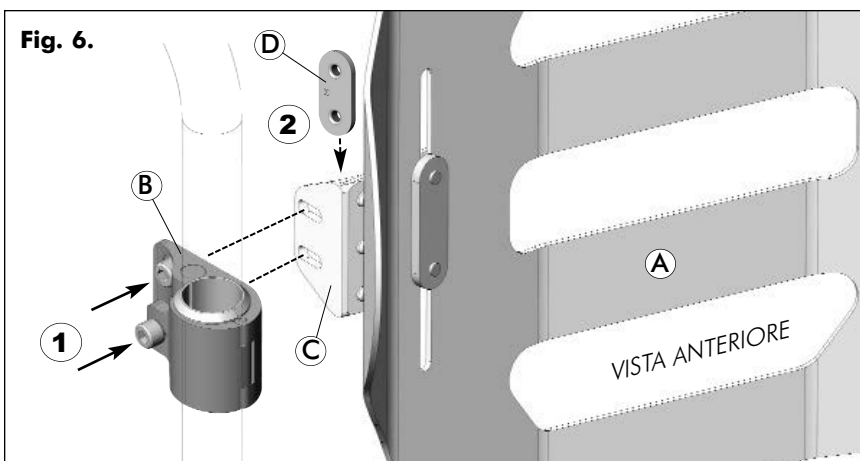
Nota: assicurarsi che i morsetti del tubo installati siano allineati in parallelo tra loro.

3.6 Installazione dello schienale MX2 sui morsetti per tubi fissi:

- 1 Agendo su un lato del guscio dello schienale, installare lo schienale Matrix MX2 (A) sui morsetti per tubi* (vedere la Fig. 6):
- Allineare le 2 viti di montaggio all'interno del gruppo morsetto per tubi (B) con le scanalature corrispondenti nella staffa di montaggio fissa dell'MX2 (C) (1).
 - Fissare il gruppo morsetto per tubi alla staffa di montaggio dell'MX2 mediante la piastra per dadi filettati (D) in dotazione (2).
 - Ripetere i passaggi (1) e (2) per fissare il guscio dello schienale MX2 sul tubo dello schienale opposto.

***NOTA:** prima di installare lo schienale Matrix MX2 sui morsetti per tubi, allentare leggermente le staffe di montaggio fisse per favorire l'allineamento e l'installazione del guscio dello schienale. Consultare la Sezione 3.7 (Fig. 8) per istruzioni più dettagliate sulla regolazione della larghezza e dell'altezza.

Installazione dello schienale MX2: viteria per l'attacco fisso



3.0 SCHIENALE MX2 - INSTALLAZIONE TRAMITE ATTACCO FISSO

3.7 Regolazioni posteriori per l'aggancio fisso dell'MX2:

i **IMPORTANTE!** Le staffe di attacco fisse dell'MX2 sono concepite per essere installate sui tubi posteriori, che sono fino a **1 pollice (25 mm) più larghi o 1 pollice (25 mm) più stretti** rispetto alla larghezza nominale dello schienale. Nella regolazione standard, lo schienale MX2 deve essere installato in posizione centrata rispetto ai tubi posteriori.

i **IMPORTANTE!** Durante la regolazione, per determinare con precisione le configurazioni ottimali di profondità, altezza o angolazione, l'utilizzatore deve essere seduto nella carrozzina.

- 1 Una volta installato il guscio dello schienale MX2 sulla carrozzina (morsetti per tubi), la profondità, l'altezza o la larghezza e l'angolo posteriore definitivi dello schienale MX2 possono essere modificati ulteriormente per adattarsi all'utilizzatore finale:

i. Regolazione della profondità: La profondità dello schienale MX2 (rispetto ai tubi posteriori) è controllata mediante due distinti meccanismi di regolazione:

Orientamento del morsetto per tubi dell'MX2: (consultare anche la Sezione 3.4)

Regolando l'orientamento dei morsetti per tubi dell'MX2 (installazione nella posizione più avanzata o in quella più arretrata) si potrà posizionare il guscio dello schienale (+/- **1,5 pollici (38 mm)**) rispetto ai tubi posteriori (1). Vedere la Fig. 7a.

Intervallo massimo di regolazione della profondità, avanti e indietro, per la viteria per montaggio fisso dell'MX2 = **3 pollici (76 mm) (+/- 1,5 pollici (38 mm))**.

Piastre di montaggio dell'MX2:

Le guide scanalate delle piastre di montaggio dell'MX2 permettono **1/2 pollice (13 mm)** di regolazione della profondità (2) nell'intervallo di regolazione massimo. Vedere la Fig. 7b.

ii. Regolazione della Larghezza / Altezza: Per alloggiare tubi posteriori di varie larghezze, è possibile regolare la larghezza con precisione grazie alle scanalature orizzontali sulle staffe di montaggio dell'MX2 (1). L'altezza dello schienale dell'MX2 (rispetto ai morsetti per tubi) può essere regolata tramite le scanalature verticali del guscio dello schienale dell'MX2 (2). La lunghezza di una scanalatura (regolazione dell'altezza) dipende dalle dimensioni (altezza) del guscio dello schienale. Vedere le Fig. 8a e 8b.

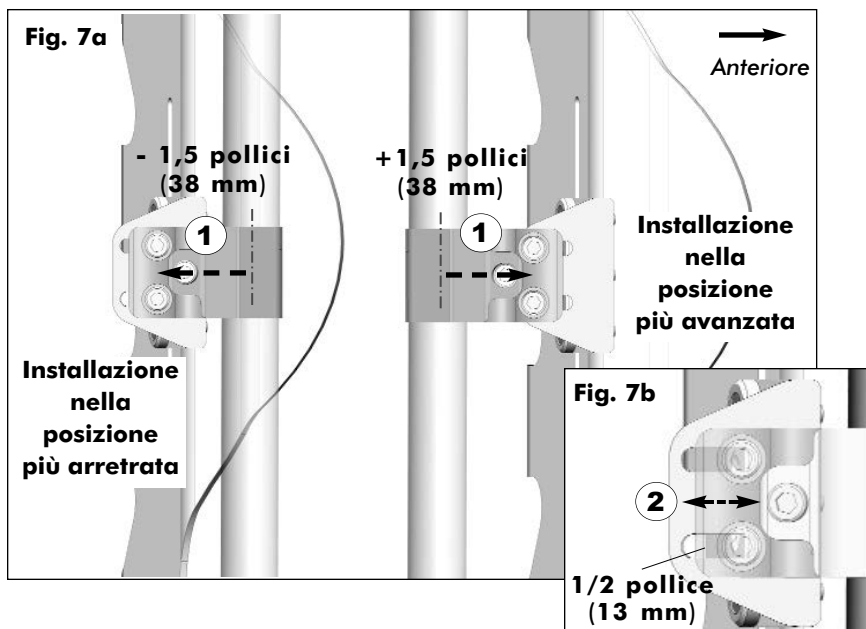
iii. Regolazione dell'angolo: le regolazioni dell'angolo posteriore di $\pm 15^\circ$ si ottengono ruotando il guscio dello schienale in avanti (1) o all'indietro (2) nelle guide scanalate delle staffe di montaggio dell'MX2. Vedere la Fig. 9.

- 2 Verificare che lo schienale risulti confortevole e sia posizionato e allineato correttamente sulla carrozzina per il cliente. Effettuare ulteriori modifiche in base alle esigenze.
- 3 Fissare/serrare completamente tutte le viti di installazione/montaggio e assicurarsi che le staffe di montaggio dell'MX2/i morsetti per tubi non scivolino o ruotino rispetto alla posizione iniziale.

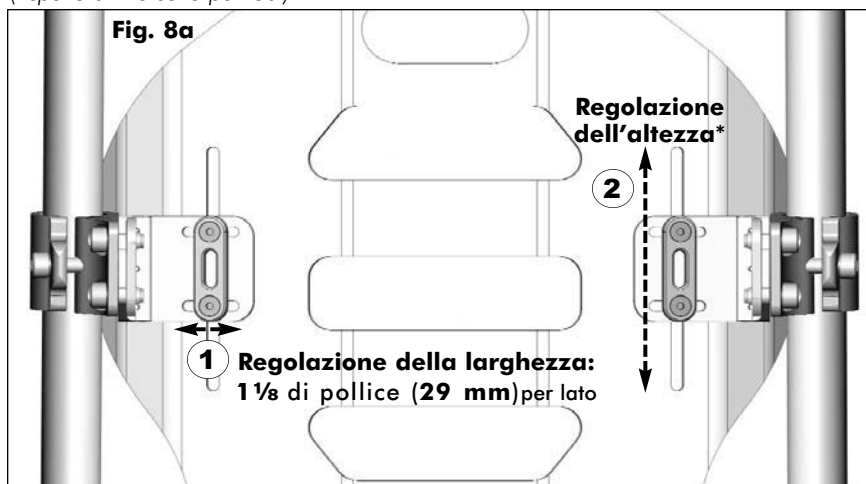
3.0 SCHIENALE MX2 - INSTALLAZIONE TRAMITE ATTACCO FISSO

i IMPORTANTE! Salvo esigenze diverse, tutte le regolazioni di profondità, altezza e angolazione devono essere effettuate in modo simmetrico sulle piastre di montaggio sinistra e destra.

Montaggio fisso dell'MX2: regolazione della profondità



Montaggio fisso dell'MX2: Regolazione della larghezza/dell'altezza (rispetto al morsetto per tubi)



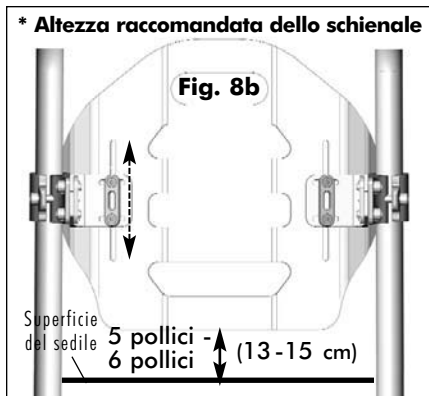
3.0 SCHIENALE MX2 - INSTALLAZIONE TRAMITE ATTACCO FISSO

*NOTA: l'intervallo di **regolazione dell'altezza dello schienale MX2** varia in base all'altezza (lunghezza della scanalatura) del guscio dello schienale MX2 - consultare la **Tabella 1.0**:

Tabella 1.0: Regolazione dell'altezza (scanalatura) dell'MX2

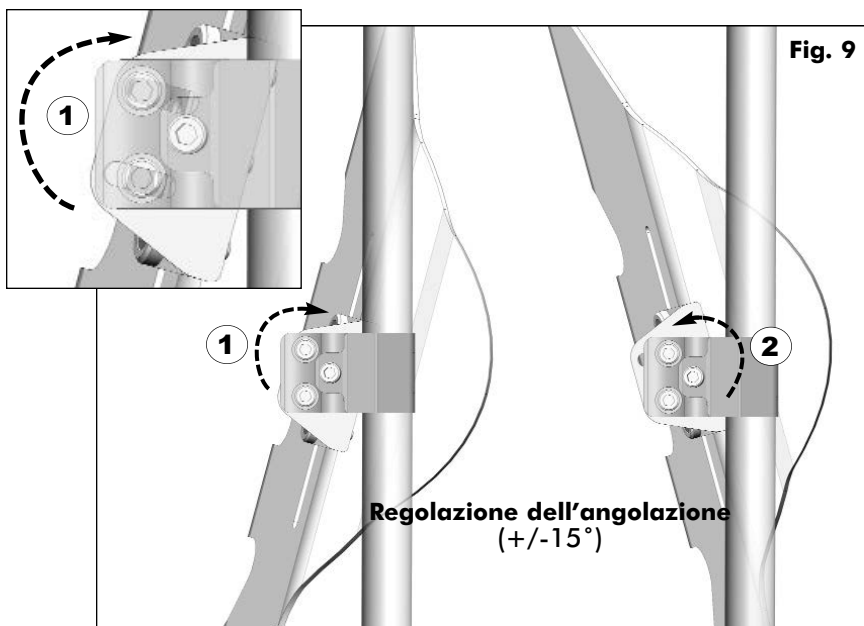
Altezza scocca schienale	Intervallo di regolazione
6 pollici (150 mm)	1/2 pollice (13 mm)
9 pollici (230 mm)	2 pollici (51 mm)
12 pollici (310 mm)	2 pollici (51 mm)
16 pollici (410 mm)	3,5 pollici (89 mm)

*Nota: l'altezza raccomandata dello schienale MX2 è puramente indicativa. Potrebbero essere necessarie lievi variazioni - **Importante** Vedere la nota di seguito.



❗ IMPORTANTE! Assicurarsi sempre che il fondo dello schienale, da un punto di vista anatomico, sia posizionato al di sotto della spina iliaca posteriore superiore. Per domande o dubbi circa l'altezza corretta dello schienale, contattare il proprio fornitore o operatore sanitario professionale per ottenere consulenza.

Montaggio fisso dell'MX2: Regolazione dell'angolo posteriore



4.0 SCHIENALE MX2 - INSTALLAZIONE TRAMITE **ATTACCO RIMOVIBILE**

4.1 Kit di viteria per il montaggio rimovibile (sgancio rapido):

i) Gruppo staffa di montaggio a sgancio rapido (installazioni sul guscio dello schienale MX2):

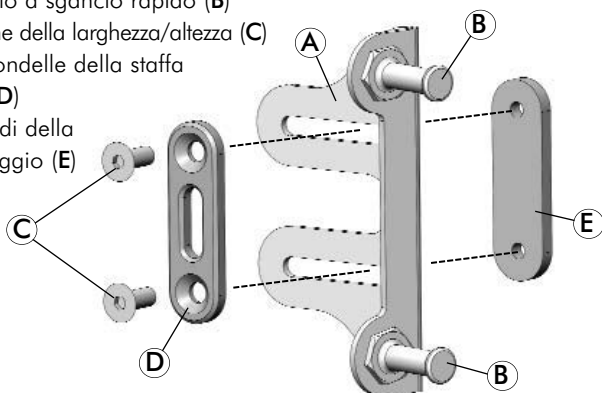
2 - Staffe di montaggio a sgancio rapido dell'MX2 (A)

4 - Perni di fissaggio a sgancio rapido (B)

4 - Viti di regolazione della larghezza/altezza (C)

2 - Piastre per le rondelle della staffa di montaggio (D)

2 - Piastre per i dadi della staffa di montaggio (E)



(Illustrazione del gruppo destro)

ii) Morsetto per tubi Montaggio (installazione sui tubi posteriori della carrozzina):

2 - Piastre di montaggio mini (F)

2 - Morsetto per tubi (G)

2 - Inserti dei tubi 7/8 di pollice (22 mm) (H)

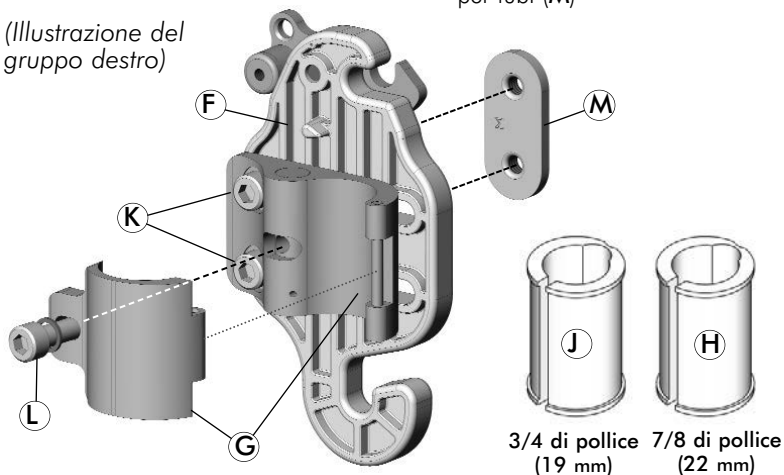
2 - Inserti dei tubi 3/4 di pollice (19 mm) (J)

4 - Viti di regolazione della profondità/angolazione (K)

2 - Viti dei morsetti per tubi (L)

2 - Piastre per dadi dei morsetti per tubi (M)

(Illustrazione del gruppo destro)



4.0 SCHIENALE MX2 - INSTALLAZIONE TRAMITE ATTACCO RIMOVIBILE

4.2 Utensili necessari

Chiave esagonale (4 mm/5 mm) (fornita)

Metro a nastro/righello

! NOTA BENE

Se uno dei componenti per il montaggio in dotazione è mancante o non è posizionato correttamente, contattare il rappresentante locale Invacare/Motion Concepts per ottenere i ricambi necessari.

4.3 Installazione dell'MX2 su staffa di montaggio a sgancio rapido:

i NOTA: prima di eseguire l'installazione sulle staffe di montaggio fisse a sgancio rapido

rimuovere con cura il rivestimento dell'MX2 rilasciando i dispositivi di fissaggio con velcro sul bordo superiore e inferiore e all'interno del guscio dello schienale.

- 1 Agendo su un lato del guscio dello schienale, installare la staffa di montaggio a sgancio rapido (A) sul guscio dello schienale Matrix MX2 nel modo seguente:
 - Allineare la piastra per le rondelle (B) con le scanalature della staffa di montaggio (A) e inserire le viti facendole passare attraverso i due componenti (1) (vedere la Fig. 1a (pag. 18));
 - Dal retro del guscio dello schienale, installare le 2 viti sporgenti dalla staffa di montaggio facendole passare attraverso la scanalatura verticale del guscio dello schienale MX2 (2) (fare riferimento alla Fig. 1b);
 - Per fissare la staffa di montaggio al guscio dello schienale MX2, avvitare le viti sporgenti alla piastra per i dadi (D) sulla parte anteriore (interna) del guscio dello schienale (3) (fare riferimento alla Fig. 1b).
- 2 Installare la restante staffa di montaggio a sgancio rapido (A) sul lato opposto del guscio dello schienale (come per il **Passaggio 1** descritto in precedenza).

4.0 SCHIENALE MX2 - INSTALLAZIONE TRAMITE ATTACCO RIMOVIBILE

Installazione su staffa di montaggio a sgancio rapido

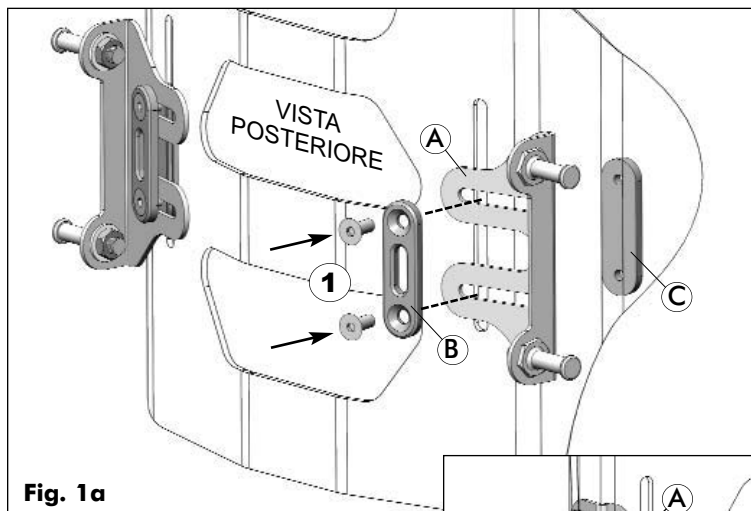


Fig. 1a

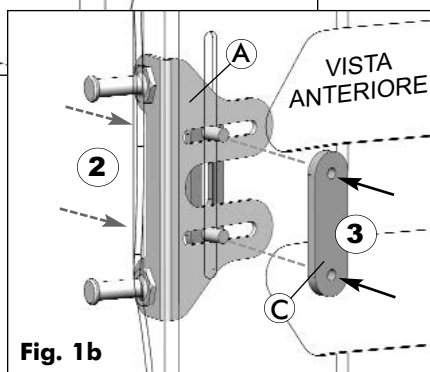


Fig. 1b

SUGGERIMENTO UTILE

Le staffe di montaggio a sgancio rapido/la viteria possono essere assemblate senza stringere troppo sul guscio dello schienale MX2 per agevolare l'allineamento delle staffe (larghezza/altezza) durante l'installazione sulle piastre di montaggio dell'MX2.

4.4 Pre-installazione: orientamento del morsetto per tubi dell'MX2

❗ IMPORTANTE! Prima di installare i gruppi morsetto per tubi dell'MX2, occorre stabilirne l'orientamento.

⚠ AVVERTENZA! Pericolo di lesioni gravi

Quando si stabilisce la posizione finale di montaggio dello schienale Invacare® Matrix® MX2, assicurarsi che la stabilità della carrozzina non sia compromessa. La regolazione della posizione dello schienale (avanti e indietro) altera il baricentro dell'utilizzatore nella carrozzina. Una posizione dello schienale eccessivamente reclinata all'indietro può ridurre significativamente la stabilità posteriore della carrozzina. Allo stesso modo, una posizione dello schienale eccessivamente in avanti riduce la stabilità anteriore della carrozzina.

4.0 SCHIENALE MX2 - INSTALLAZIONE TRAMITE **ATTACCO RIMOVIBILE**

Nella **configurazione standard**, i morsetti per tubi dell'MX2 (A) e le piastre di montaggio (B) vengono assemblati e montati sui tubi posteriori con l'orientamento *più arretrato*. Questa configurazione massimizza la profondità disponibile del sedile sulla carrozzina - vedere la **Fig. 2**.

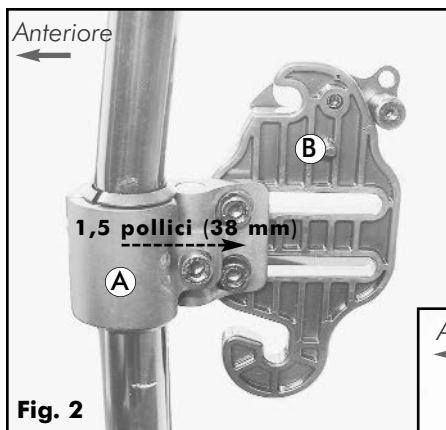
Nella **configurazione invertita***, i morsetti per tubi (A) sono ruotati di 180° sui tubi posteriori. Questa configurazione riduce al minimo la profondità del sedile disponibile e pone lo schienale MX2 in una posizione *più avanzata*, se necessario - vedere la **Fig. 3**.

I morsetti per tubi (A) offrono un gioco di **1,5 pollici (38 mm)** avanti o indietro (rispetto al tubo dello schienale) in base alla configurazione di montaggio prescelta.

Nota: consultare la **Sezione 4.8** per istruzioni più dettagliate sulle regolazioni della profondità per il montaggio rimovibile dell'MX2.

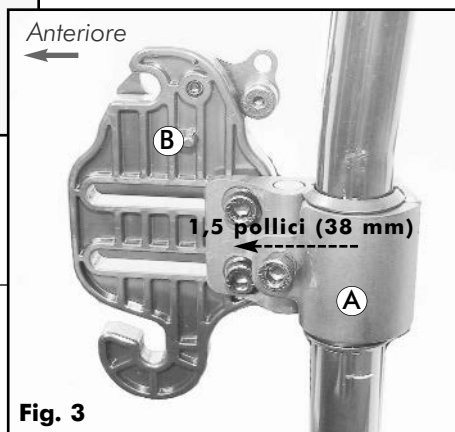
*** Per invertire la piastra di fissaggio/morsetto del tubo con l'orientamento più avanzato:**

- 1 Disassemblare la piastra di montaggio (B) dal morsetto per tubi (A) (2 viti);
- 2 Ruotare il morsetto per tubi (A) 180°, quindi riassemblare la piastra di montaggio (B) con lo stesso orientamento (come illustrato nella **Fig. 3**).



Tubo standard
Configurazione del morsetto
(profondità del sedile massima)

Tubo invertito
Configurazione del morsetto
(profondità del sedile minima)



4.0 SCHIENALE MX2 - INSTALLAZIONE TRAMITE ATTACCO RIMOVIBILE

4.5 Morsetto per tubi dell'MX2/Installazione delle piastre di montaggio:

I morsetti per tubi dell'MX2 sono concepiti per permettere l'installazione su tubi posteriori del diametro di 1 pollice (25 mm), 7/8 di pollice (22 mm) e 3/4 di pollice (19 mm). (Gli inserti in plastica (A) sono forniti per alloggiare tubi posteriori di diametro minore*).

- 1 Rimuovere il retro esistente della carrozzina (se presente).
- 2 Installare il gruppo morsetto per tubi (B) su ciascun tubo dello schienale, senza stringere troppo, nella configurazione desiderata - vedere la Fig. 4 e la Fig. 5 per una panoramica dell'installazione.

*Inserimento di tubi dello schienale di diverse dimensioni:

- | | |
|--------------------------------|---|
| Tubi da 1 pollice (25 mm) | - Inserti in plastica non necessari |
| Tubi da 7/8 di pollice (22 mm) | - Installare gli inserti in plastica da 7/8 di pollice (22 mm) (x2) |
| Tubi da 3/4 di pollice (19 mm) | - Installare gli inserti in plastica da 3/4 di pollice (19 mm) (x2) |

Installazione del morsetto per tubi dell'MX2

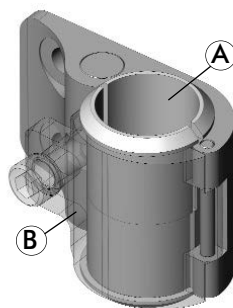
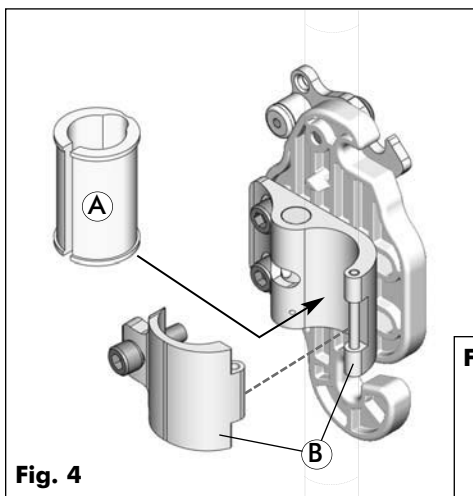
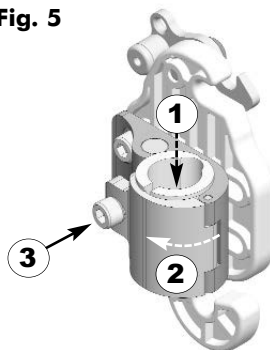


Fig. 5



SUGGERIMENTO UTILE

Nebulizzare una piccola quantità di lacca per capelli sui tubi posteriori e sulla parte interna degli inserti in plastica per ottenere un saldo legame "antiscivolo".

4.0 SCHIENALE MX2 - INSTALLAZIONE TRAMITE **ATTACCO RIMOVIBILE**

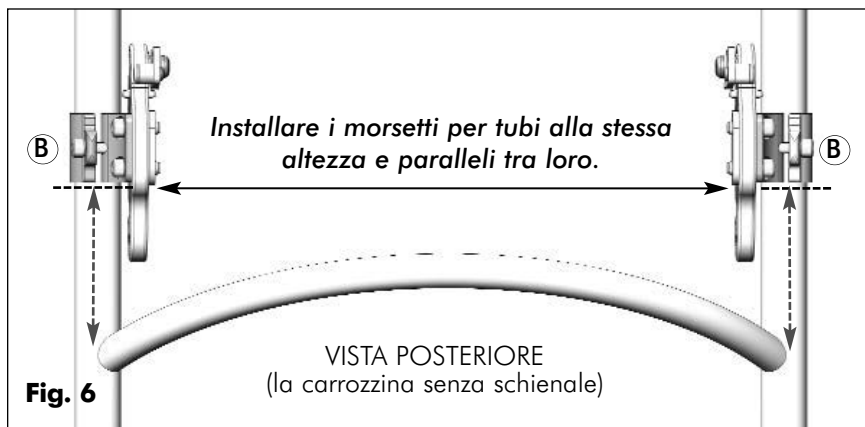
- 3 Partendo da un lato, far scorrere/regolare il gruppo morsetto per tubi (B) nell'altezza o nella posizione desiderata sul tubo dello schienale e serrare saldamente in posizione.

Nota: l'altezza posteriore finale può essere regolata ulteriormente con precisione eseguendo l'installazione della scocca schienale MX2 sulle piastre di montaggio.

- 4 Da un punto fisso sulla carrozzina (es. telaio del sedile/barra di irrigidimento) misurare prima l'altezza esatta del gruppo morsetto per tubi e fissare il secondo morsetto per tubi alla stessa altezza sul tubo dello schienale opposto - vedere la Fig. 6 di seguito.

Nota: assicurarsi che i morsetti per tubi/le piastre di montaggio installati siano montati in parallelo tra loro.

Regolazione dell'altezza del morsetto per tubi/della piastra di montaggio dell'MX2



4.6 Installazione dello schienale MX2 sugli elementi di fissaggio a sgancio rapido

⚠ AVVERTENZA! Una regolazione non corretta dei perni di fissaggio può danneggiare la scocca dello schienale e/o le piastre di montaggio. Assicurarsi che vi sia uno spazio sufficiente tra le piastre di fissaggio e i perni di fissaggio (si raccomanda uno spazio minimo di 1/8 di pollice (3 mm)).

⚠ AVVERTENZA! NON usare mai della Loctite sulla viteria per il montaggio; i componenti non di metallo possono degradarsi e diventare fragili (rompersi) se contaminati.

ⓘ IMPORTANTE! Salvo esigenze diverse, assicurarsi **sempre** che tutte le regolazioni siano essere effettuate in modo **simmetrico** sulle staffe di montaggio sinistra e destra.

4.0 SCHIENALE MX2 - INSTALLAZIONE TRAMITE **ATTACCO RIMOVIBILE**

❗ IMPORTANTE! L'allentamento delle staffe di montaggio a sgancio rapido (A) comporta la contemporanea modifica della **larghezza e dell'altezza** dello schienale MX2. Leggere **tutte le istruzioni** prima di iniziare l'installazione. Durante l'installazione è consigliabile effettuare le regolazioni di una staffa di montaggio per volta.

! NOTA BENE

Ciascuna staffa di montaggio a sgancio rapido (A) è provvista di perni di fissaggio (B) pre-installati ed è ideata con scanalature regolabili in larghezza che permettono di installare lo schienale MX2 su tubi posteriori anche di **1 pollice (25 mm) più larghi o di 1 pollice (25 mm) più stretti** della larghezza nominale dello schienale.

- 1 Prima di installare lo schienale Invacare® MatrX® MX2 (vedere la Fig. 5):
 - i. Agendo su un solo lato, allentare leggermente la piastra per le rondelle e la viteria (C) della staffa di montaggio in modo tale che la staffa di montaggio a sgancio rapido (A) e i perni di fissaggio (B) possano essere spostati verso l'interno o verso l'esterno (1) (in base alle esigenze) per allinearsi con le piastre di montaggio per morsetti per tubi - vedere il **Passaggio 2** (Fig. 6a/6b).
 - ii. Lasciare il gruppo staffa di montaggio a sgancio rapido restante (quello opposto) fissato al guscio dello schienale MX2 (2).

Allineamento del perno di montaggio/della staffa a sgancio rapido (pre-installazione)

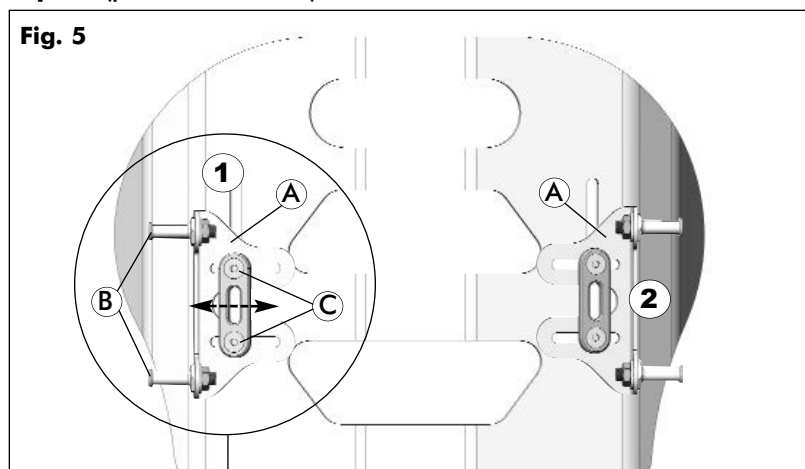


Fig. 5

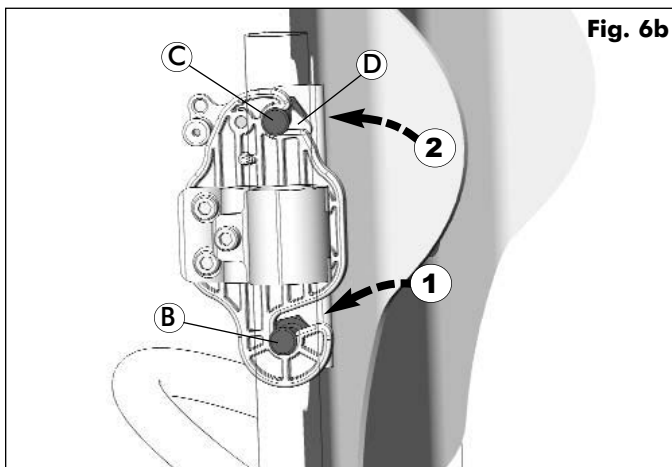
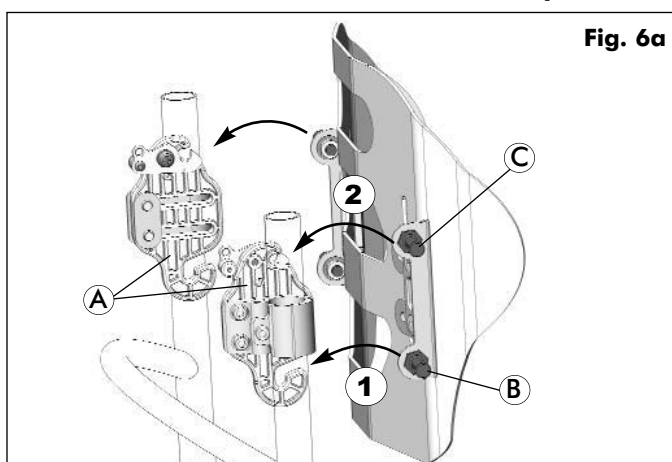
Montaggio morbido
Del gruppo staffa
(solo da un lato)

4.0 SCHIENALE MX2 - INSTALLAZIONE TRAMITE ATTACCO RIMOVIBILE

- 2 Installare nuovamente lo schienale MX2 sulle piastre di montaggio (A) nel modo seguente (vedere la Fig. 6a e la Fig. 6b):
- Allineare e inserire i perni di fissaggio inferiori (B) nelle fessure di aggancio in fondo a ciascuna piastra di montaggio (1).
 - Con i perni inferiori in posizione, bloccare/far scattare i perni di fissaggio superiori (C) nel meccanismo di chiusura (D) nella parte alta di ciascuna piastra di montaggio (2).

⚠ AVVERTENZA! Durante l'installazione dello schienale MX2, assicurarsi sempre che entrambi i meccanismi di chiusura (D) siano completamente inseriti attorno ai perni di fissaggio superiori.

Installazione dello schienale MX2 sulle piastre di fissaggio



4.0 SCHIENALE MX2 - INSTALLAZIONE TRAMITE **ATTACCO RIMOVIBILE**

4.7 Schienale MX2: regolazione di larghezza e altezza

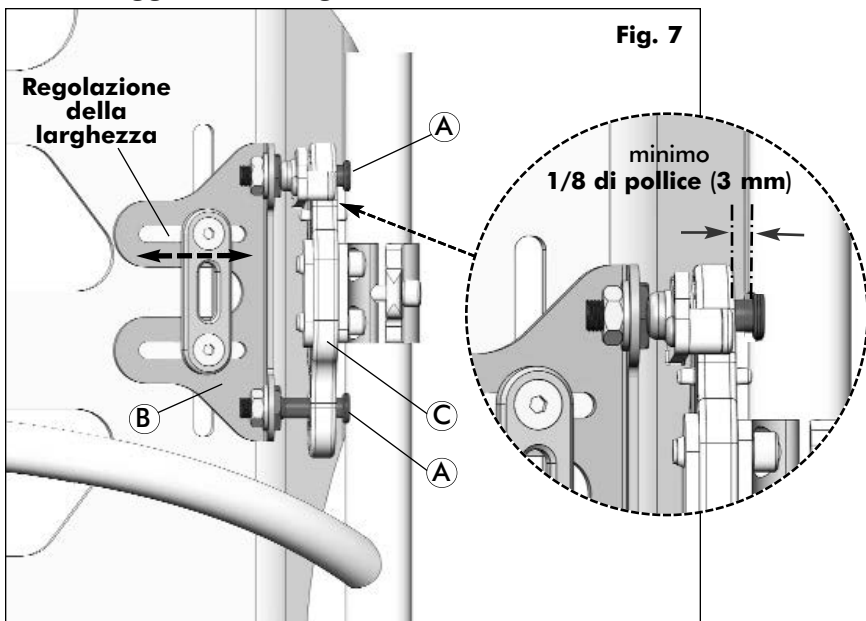
i **IMPORTANTE!** Le regolazioni di **larghezza** e **altezza** dello schienale MX2 avvengono simultaneamente. Durante l'installazione è consigliabile effettuare le regolazioni di una staffa per volta e fissare ogni staffa quanto basta per evitare che scivoli dopo ogni regolazione. La viteria per il montaggio può essere serrata completamente al termine dell'installazione/regolazione.

- 1 **Regolazione della larghezza del perno di fissaggio:** con lo schienale MX2 bloccato nelle piastre di montaggio, regolare la larghezza del perno di montaggio (A) su ciascuna staffa di montaggio (B) in modo che esista **uno spazio minimo di 1/8 di pollice (3 mm)** tra la testa dei perni di fissaggio e la parte esterna della piastra di montaggio (C)* (vedere la Fig. 7).

***NOTA:** per l'installazione standard dello schienale MX2, il guscio dello schienale deve rimanere centrato tra i tubi posteriori dopo ogni regolazione della larghezza (le staffe di montaggio devono essere regolate simmetricamente sul guscio dello schienale).

- 2 Serrare entrambi i gruppi staffa di montaggio quanto basta per evitare che scivolino.

Installazione dell'MX2: regolazione del perno di montaggio/della larghezza



4.0 SCHIENALE MX2 - INSTALLAZIONE TRAMITE **ATTACCO RIMOVIBILE**

- 3 **Regolazione dell'altezza dell'MX2:** l'altezza dello schienale MX2 può essere regolata in base alle proprie esigenze grazie alla guida scanalata sul guscio dello schienale MX2 (vedere la **Fig. 8a**). L'altezza consigliata dello schienale* è di circa **5-6 pollici (13-15 cm)** dalla parte superiore della **superficie del sedile** (cuscino o telo seduta; vedere la **Fig. 8b**).
- 4 Agendo su un lato alla volta, allentare la viteria (**A**) della staffa di montaggio e far scorrere il guscio dello schienale MX2 in alto/in basso fino a raggiungere l'altezza dello schienale desiderata. **NOTA:** l'intervallo di **regolazione dell'altezza dello schienale** MX2 varia in base all'altezza (lunghezza della scanalatura) del guscio dello schienale MX2 - consultare la **Tabella 1.0**.
- 5 Serrare la piastra/viteria (**A**) della staffa di montaggio per fissare di nuovo in posizione lo schienale MX2, assicurandosi di mantenere la larghezza/posizione corretta del perno di montaggio (come in **Fig. 7**). Ripetere questa stessa regolazione dell'altezza del sedile sulla staffa di montaggio opposta.
- 6 Una volta che tutte le regolazioni della larghezza e dell'altezza sono definitive, fissare **tutta** la viteria.

Nota: l'altezza raccomandata dello schienale MX2 è puramente indicativa. Potrebbero essere necessarie lievi variazioni - **Importante Vedere la nota di seguito.*

Installazione dell'MX2: Regolazione dell'altezza dello schienale

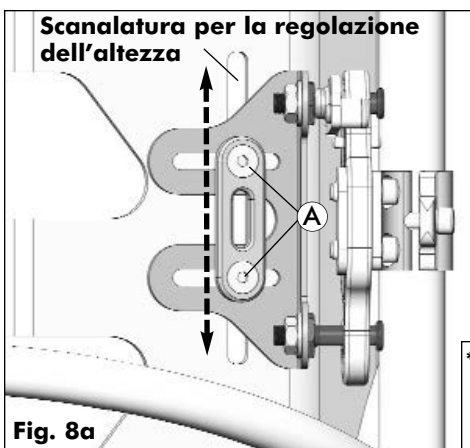


Fig. 8a

f **IMPORTANTE!**

Assicurarsi sempre che il fondo dello schienale, da un punto di vista anatomico, sia posizionato al di sotto della spina iliaca posteriore superiore. Per domande o dubbi circa l'altezza corretta dello schienale, contattare il proprio fornitore o operatore sanitario professionale per ottenere consulenza.

Tabella 1.0:
Regolazione dell'altezza MX2 (scanalatura)

Altezza scocca seduta	Intervallo di regolazione
6 pollici (150 mm)	1/2 pollice (13 mm)
9 pollici (230 mm)	2 pollici (51 mm)
12 pollici (310 mm)	2 pollici (51 mm)
16 pollici (410 mm)	3,5 pollici (89 mm)

*** Altezza raccomandata dello schienale**

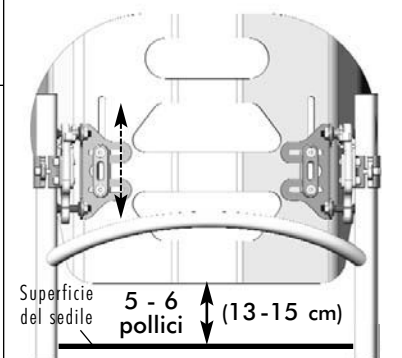


Fig. 8b

4.0 SCHIENALE MX2 - INSTALLAZIONE TRAMITE **ATTACCO RIMOVIBILE**

4.8 Schienale MX2: regolazioni dell'angolazione e della profondità

❗ IMPORTANTE! Anche le regolazioni di **angolazione** e **profondità** dello schienale MX2 avvengono simultaneamente. Queste due regolazioni possono essere completate facilmente allentando prima la viteria di regolazione di entrambi i gruppi morsetto. **Nota:** Nell'installazione standard, le regolazioni di profondità e angolazione devono essere effettuate in modo simmetrico sulle due piastre di montaggio.

- 1 **Regolazione dell'angolazione dell'MX2:** se necessario, l'angolazione dello schienale MX2 può essere regolata tramite le due viti di regolazione della profondità/angolazione (A) su ogni gruppo morsetto di montaggio (B) (vedere la Fig. 9a).
- 2 Allentare le viti di regolazione della profondità/angolazione (x2) su ciascun gruppo morsetto e ruotare la piastra di montaggio (C) in avanti o all'indietro per ottenere l'angolazione dello schienale desiderata (**intervallo di regolazione dell'angolazione = $\pm 15^\circ$** , vedere la Fig. 9b).

Installazione dell'MX2: regolazione dell'inclinazione dello schienale

Fig. 9a

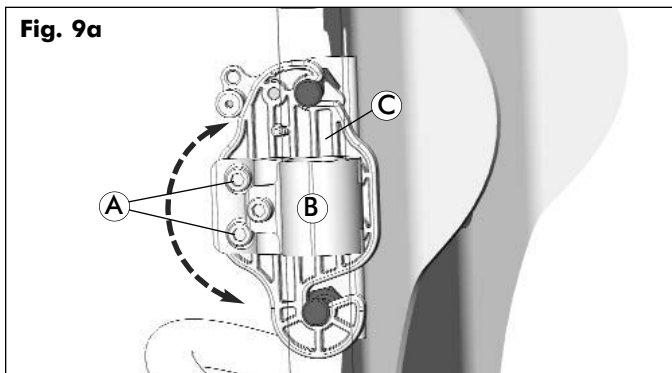
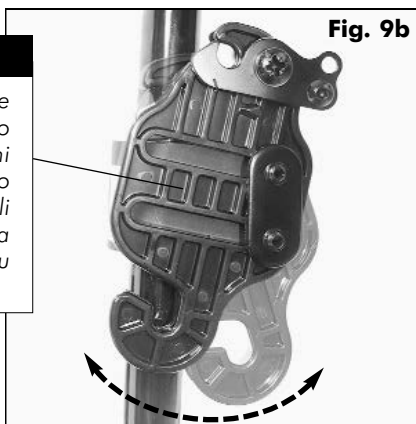


Fig. 9b



! NOTA BENE

Le linee verticali stampate sulle piastre di fissaggio sono progettate come punto di riferimento per le regolazioni simmetriche. Quando si regola l'angolo posteriore dell'MX2, le linee verticali possono essere usate per eseguire la stessa regolazione dell'angolo su entrambe le piastre di montaggio.

Regolazione dell'angolazione ($\pm 15^\circ$)

4.0 SCHIENALE MX2 - INSTALLAZIONE TRAMITE **ATTACCO RIMOVIBILE**

- 3 **Regolazione della profondità dell'MX2:** La profondità complessiva dello schienale MX2 è controllata mediante due distinti meccanismi di regolazione: **Orientamento del morsetto per tubi dell'MX2** (consultare anche la Sezione 4.4):

I morsetti per tubi (B) dell'MX2 possono essere montati o con l'orientamento standard (all'indietro) o all'inverso (in avanti) per una profondità inferiore della seduta (vedere la Fig. 10).

Con l'installazione nella posizione più arretrata (1), la profondità dello schienale = -1,75 pollici (44 mm).

Con l'installazione più avanzata (2), la profondità dello schienale = +2,25 pollici (57 mm).

Nota: le misurazioni sono relative ai tubi posteriori e sono misurate rispetto alla posizione del perno di montaggio.

L'intervallo massimo di regolazione della profondità in avanti/all'indietro (dalla posizione più arretrata a quella nella posizione più avanzata) = 4,25 pollici (108 mm).

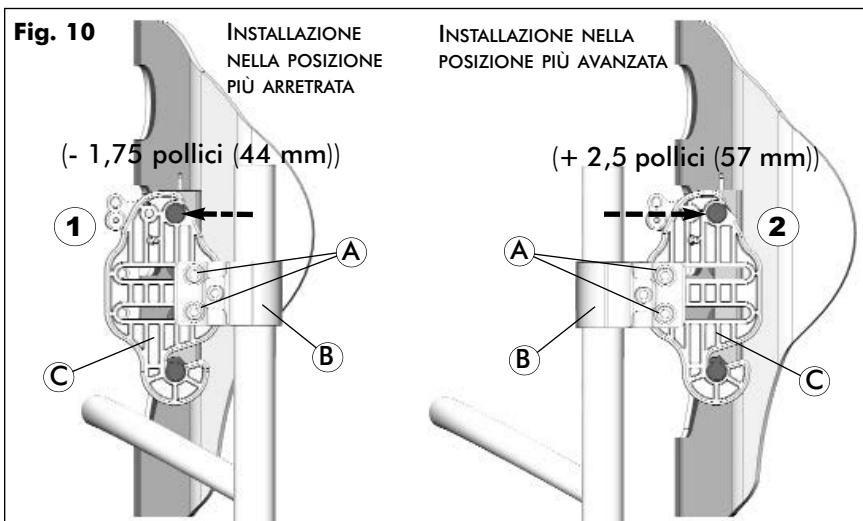
Regolazione della profondità della piastra di montaggio dell'MX2*:

Le guide scanalate delle piastre di montaggio dell'MX2 (C) permettono una regolazione della profondità di 1,75 pollici (44 mm) nell'intervallo di regolazione massimo (vedere la Fig. 11 (pag. 28)).

*NOTA: l'intervallo di regolazione della profondità della piastra di montaggio sarà ridotto quando si modifica l'angolazione dello schienale MX2.

- 4 Per effettuare le regolazioni, allentare le due viti di regolazione (A) su ciascun gruppo morsetto per tubi e far scorrere le piastra di montaggio (C) in avanti o all'indietro tramite le scanalature di regolazione per ottenere la profondità dello schienale desiderata.
- 5 Una volta che tutte le regolazioni della profondità sono definitive, fissare tutta la viteria.

Installazione dell'MX2: Regolazione della profondità dello Schienale



4.0 SCHIENALE MX2 - INSTALLAZIONE TRAMITE **ATTACCO RIMOVIBILE**

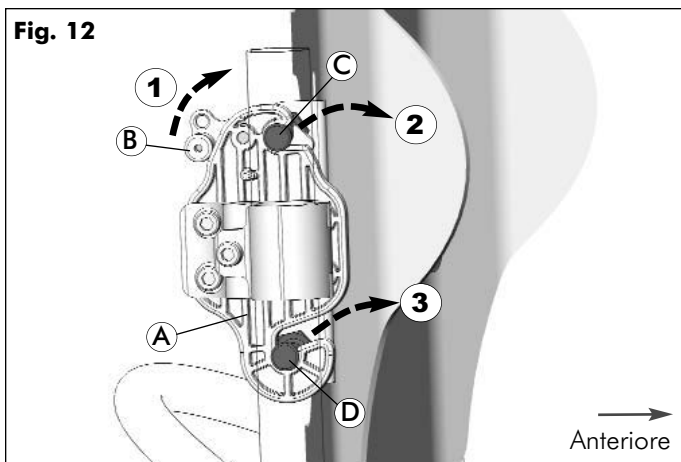
Installazione dell'MX2: Regolazione della profondità dello schienale



4.9 Rimozione dello schienale dell'MX2 dal sistema a sgancio rapido

- 1 Rimuovere/disinnestare lo schienale MX2 dalle piastre di montaggio (A) nel modo seguente (vedere la **Fig.12** di seguito):
 - i. In piedi alle spalle della carrozzina, sollevare **contemporaneamente** il meccanismo di rilascio del blocco (B) di entrambe le piastre di montaggio (1);
 - ii. con i dispositivi di blocco aperti, spingere la parte alta dello schienale MX2 in avanti (2) per disinnestare i perni di fissaggio superiori (C) dalle piastre di montaggio (A);
 - iii. Con i perni superiori disinnestati, sollevare lo schienale MX2 spostandolo verso l'alto e in avanti (3) per rilasciare i perni di fissaggio inferiori (D) dalle piastre di montaggio.

Rimozione/Disinserimento dello schienale MX2



5.0 CURA E MANUTENZIONE

5.1 Cura e lavaggio:

i **IMPORTANTE!** Tutti i detersivi e disinfettanti utilizzati devono essere efficaci, compatibili tra loro e devono proteggere i materiali su cui vengono utilizzati durante la pulizia.

! **ATTENZIONE!** Rischio di danni al prodotto
NON utilizzare detersivi contenenti sbiancanti, fenoli o alcol.

Pulizia e cura generale:

Il rivestimento può essere inumidito facilmente con un panno umido all'occorrenza.

Istruzioni di lavaggio (rivestimento esterno):

1. Rimuovere con cura il rivestimento rilasciando i dispositivi di fissaggio con velcro sul bordo superiore e inferiore e all'interno del guscio dello schienale.

NOTA: Rimuovere il cuscino interno in gommapiuma dal rivestimento prima del lavaggio.

2. Lavare in lavatrice a 60 °C utilizzando il ciclo delicato (vedere le istruzioni sull'etichetta).

i **IMPORTANTE!** Un lavaggio a temperature più elevate può provocare restringimenti

3. Stendere il rivestimento ad asciugare in un luogo chiuso;

oppure

Asciugarlo in un'asciugabiancheria a bassa temperatura.

i **IMPORTANTE!**

- L'impostazione dell'asciugabiancheria non deve superare i 40 °C
- Non asciugare per più di 10 minuti
- Fare asciugare completamente il rivestimento prima di riapplicarlo sulla schiuma
- Non stirare
- Non lavare a secco

5.2 Manutenzione e controllo:

Mensile: controllare visivamente le parti, comprese le minuterie in metallo, le staffe, i rivestimenti, le schiume e le parti in plastica per accertarsi che non siano deformati, corrosi, rotti, usurati o schiacciati.

! **AVVERTENZA!** Pericolo di lesioni o danni

Controllare TUTTI i fissaggi una volta a settimana per assicurare che i collegamenti meccanici e le viti siano ben fissati - altrimenti potrebbero derivarne lesioni o danni.

NON continuare ad utilizzare questo prodotto se si riscontrano dei problemi. Azioni correttive possono essere effettuate solo presso il proprio fornitore o organizzate tramite questo.

6.0 OPZIONI DELL'MX2

6.1 (Opzionale) Installazione/regolazione del supporto lombare

! NOTA BENE

Il **supporto lombare** è un inserto prefabbricato in gommapiuma che fornisce supporto lombare per maggior comfort. L'inserto lombare può essere posizionato all'interno del rivestimento dell'MX2 Invacare® MatrX® (vedere le istruzioni di seguito), o rimosso se non si desidera alcun supporto lombare.

1. Per accedere al supporto lombare, aprire il gancio e le strisce di fissaggio degli occhielli presenti sul rivestimento esterno A sulla parte posteriore inferiore del guscio dello schienale.
2. Il supporto lombare in gommapiuma B è installato all'interno del rivestimento dell'MX2 Invacare® MatrX® tra il cuscino posteriore in gommapiuma C e il guscio dello schienale D.
3. Il supporto lombare può essere regolato a qualsiasi altezza/posizione desiderata.
4. Fissare di nuovo il rivestimento (con strisce di velcro) al pannello dello schienale.

Supporto lombare



***NOTA:** è possibile tagliare/modificare la gommapiuma lombare come necessario, per adattarla alle esigenze dell'utilizzatore finale.



Regolare la posizione lombare in base alle esigenze o eseguire la completa rimozione

6.0 OPZIONI DELL'MX2

6.2 (Opzionale) Telino coprischienale (acquistabile a parte)

I **telini coprischienale** sono disponibili (venduti separatamente) per tutti gli schienali MX2 di dimensioni standard. Tutti gli schienali di dimensioni standard sono dotati di una striscia di fissaggio in velcro pre-cucita sulla parte posteriore del rivestimento del cuscino per l'installazione del telino coprischienale.

Fare riferimento alla tabella per la dimensione corretta del telino coprischienale per l'MX2:

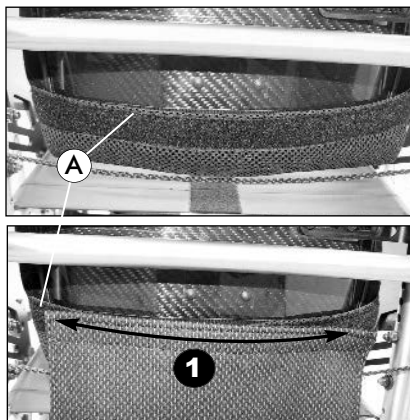
LARGHEZZA	TELINO COPRISCHIENALE
14 pollici (36 cm)	PFLAP-XS 10 x 16 pollici (26 x 41 cm)
15 pollici (38 cm)	PFLAP-S 13 x 16 pollici (33 x 41 cm)
16 pollici (41 cm)	
17 pollici (43 cm)	PFLAP-M 15 x 16 pollici (38 x 41 cm)
18 pollici (46 cm)	



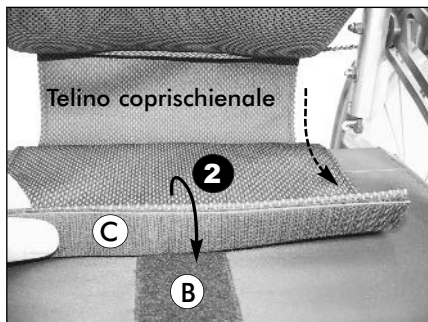
Istruzioni per l'installazione:

1. Rimuovere il cuscino del sedile della carrozzina (se presente).
2. Assicurarsi che lo schienale sia regolato all'altezza desiderata (Fare riferimento alla **Sezione 4.0, Figura 8**).
3. In piedi alle spalle della carrozzina (rivolti verso la parte anteriore), allineare/applicare la striscia in velcro del telino coprischienale sulla striscia in velcro cucita sulla parte posteriore e inferiore del rivestimento dello schienale MX2 (**A**) (vedere il **Passaggio 1** di seguito).
4. Tirare l'estremità opposta (non fissata) del telino coprischienale attraverso lo spazio vuoto la parte inferiore del guscio dello schienale e la seduta della carrozzina.
5. Fissare la striscia di velcro del telino coprischienale alla striscia in velcro pre-esistente * (**B**) sull'imbracatura della carrozzina o il pannello seduta. (vedere il **Passaggio 2** di seguito).

***NOTA:** se il sedile della carrozzina è dotata della corrispondente striscia in velcro, fissare il telino coprischienale tramite la doppia striscia adattatrice in velcro (**C**) in dotazione.



VISTA POSTERIORE



VISTA ANTERIORE

matrx[®]
SEATING SERIES



Matrx MX2-ryglæn

til dele til **FAST BESLAG** og
dele til **SØHESTEBESLAG**

MONTERING/INDSTILLING

i VIGTIGT! Installationsinstruktionerne i denne manual bør kun udføres af en kvalificeret tekniker.

FORHANDLER: Denne manual SKAL overdrages til brugeren af produktet.

BRUGER: Læs denne manual, inden produktet tages i brug, og gem den til fremtidig brug.



TRD0439 Rev B

GARANTI

BEMÆRK: GARANTIEEN NEDENFOR ER UDARBEJDET MED HENBLIK PÅ OVERHOLDELSE AF AMERIKANSK LOVGIVNING GÆLDENDE FOR PRODUKTER FREMSTILLET EFTER 4. JULI 1975. Denne garanti kan kun gøres gældende af den oprindelige køber/bruger af vores produkter. Denne garanti giver dig en række specifikke juridiske rettigheder. Du har muligvis andre juridiske rettigheder, afhængigt af hvilket land du bor i. Invacare/Motion Concepts garanterer, at dette produkt ikke har defekter i materialer og konstruktion ved to års brug af den oprindelige køber. Denne garanti gælder ikke punkteringer, flænger eller forbrændinger, ej heller det aftagelige pudebetræk. Hvis det inden for garantiperioden konstateres, at et produkt er behæftet med fejl, bliver produktet repareret eller udskiftet efter Invacares/Motion Concepts' valg med reparerede eller nye dele. Denne garanti dækker ikke arbejdsomkostninger eller forsendelsesomkostninger i forbindelse med montering af udskiftningsdele eller reparation af produktet. Produktreparationer forlænger ikke denne garanti – dækningen af reparerede produkter ophører ved ophør af denne begrænsede garanti. Invacares/Motion Concepts' eneste forpligtelse og dit eneste retsmiddel i henhold til denne garanti er begrænset til en sådan reparation og/eller udskiftning. Kontakt den forhandler, du købte dit Invacare/Motion Concepts-produkt af, vedrørende garantiservice. I tilfælde af, at du ikke modtager tilfredsstillende garantiservice, bedes du skrive direkte til Invacare/Motion Concepts på adressen på bagsiden. Angiv forhandlerens navn, adresse, modelnummer, købsdatoen, angiv naturen af defekten og, hvis produktet er nummeret, skal du angive serienummeret.

Invacare Corporation/Motion Concepts vil udstede en returgodkendelse. Den defekte enhed eller de defekte komponenter skal returneres med henblik på garanti eftersyn med serienummeret som identifikation senest tredive (30) dage efter datoen for returgodkendelsen. UNDLAD at returnere produkter til vores fabrik uden vores forudgående samtykke. Forsendelse, der kræver kontant betaling ved modtagelse, vil blive afvist. Sørg for at betale forsendelsesomkostningerne på forhånd.

BEGRÆNSNINGER OG UNDTAGELSER: GARANTIEEN GÆLDER IKKE FOR PROBLEMER, DER HIDRØRER FRA ALMINDELIG SLITAGE, ELLER HVIS DE MEDFØLGENDE INSTRUKTIONER IKKE FØLGES. DESUDEN GÆLDER OVENSTÅENDE GARANTI IKKE FOR PRODUKTER MED SERIENUMRE, HVIS SERIENUMMERET ER BLEVET FJERNET ELLER UDVIKSET; PRODUKTER, DER UDSÆTTES FOR UAGTSOM BEHANDLING, UHELD, FORKERT BETJENING, VEDLIGEHOLDELSE ELLER OPBEVARING; ELLER PRODUKTER, DER ÆNDRES UDEN INVACARES/MOTION CONCEPTS' UDTRYKKELEGE SKRIFTLIGE SAMTYKKE INKLUSIVE, MEN IKKE BEGRÆNSET TIL: ÆNDRINGER VED BRUG AF UAUTHORISERDE KOMPONENTER ELLER BESLAG; FOR PRODUKTER, DER BESKADIGES SOM FØLGE AF REPARATION AF KOMPONENTER UDEN INVACARE/MOTION CONCEPTS SPECIFIKKE SAMTYKKE, ELLER PRODUKTER, DER BESKADIGES PÅ GRUND AF FORHOLD, DER LIGGER UDEN FOR INVACARES/MOTION CONCEPTS KONTROL; ELLER PRODUKTER, DER REPARERES AF ANDRE END INVACARES/MOTION CONCEPTS' FORHANDLER, SKAL EN SÅDAN EVALUERING UDELUKKENDE BESTEMMES AF INVACARE/MOTION CONCEPT.

DEN OVENSTÅENDE GARANTI ER EKSKLUSIV OG TRÆDER I STEDET FOR ALLE ANDRE UDTRYKKELEGE GARANTIER, OM NOGEN, INKLUSIVE DE INDIREKTE GARANTIER FOR SALGBARHED OG EGNETHED TIL ET BESTEMT FORMÅL. DEN GÆLDER IKKE LÆNGERE END VARIGHEDEN AF DEN UDTRYKKELEGE GARANTI, DER FREMGÅR AF DETTE DOKUMENT, OG RETSMIDLET VED ALLE OVERTRÆDELSER BEGRÆNSES TIL REPARATION ELLER UDSKIFTNING AF DET DEFEKTE PRODUKT I OVERENSSTEMMELSE MED BETINGELSERNE HERI INVACARE/MOTION CONCEPTS HÆFTER IKKE FOR FØLGESKADER ELLER INDIREKTE TAB. DENNE GARANTI UDVIDES TIL AT OVERHOLDE LOKALE/NATIONALE LOVE OG KRAV.

Denne manual må ikke gengives eller genoptrykkes, hverken delvist eller i sin helhed, uden forudgående skriftligt samtykke fra Motion Concepts eller virksomhedens retlige repræsentanter.

Denne brugsanvisning er udarbejdet på baggrund af de seneste specifikationer og produktoplysninger tilgængelige på tidspunktet for udgivelse. Vi forbeholder os ret til at foretage nødvendige ændringer, når det er nødvendigt. Alle ændringer af vores produkter kan medføre mindre uoverensstemmelser mellem illustrationerne /forklaringerne i denne brugsanvisning og det produkt, du har købt. Hvis du har spørgsmål eller bekymringer angående oplysningerne i denne manual, bedes du kontakte vores kundeserviceafdeling for hjælp.


Indholdsfortegnelse


- 1.0 Generelle advarsler
- 2.0 Sikkerhedsoplysninger
- 3.0 MX2 montering/indstilling – **Fast beslag**
- 4.0 MX2 montering/indstilling – **Søhestebeslag**
- 5.0 Instruktioner om vedligeholdelse og pleje
- 6.0 MX2 Ekstraudstyr


SIKKERHEDSSYMBOLER:

Korrekt opsætning og sikker brug af dit Invacare Matrix MX2-ryglæn afhænger af din egen samt leverandørens, plejerens og/eller den sundhedsprofessionelles dømmekraft og sunde fornuft. Nedenstående symboler benyttes igennem hele denne brugsanvisning til at identificere advarsler, forsigtighedsforanstaltninger og vigtige anvisninger. Det er meget vigtigt, at du læser og forstår dem fuldstændigt.

 **FORSIGTIG!** Hvis forsigtighedsforanstaltningerne i denne brugsanvisning ikke læses, kan det medføre skade på dit Matrix-sædeprodukt.

 **ADVARSEL!** Hvis advarslerne i denne brugsanvisning ikke læses, kan det medføre personskaade.

 **VIGTIGT!** Vigtige oplysninger ved installation og opsætning af dit Matrix-sædeprodukt.

 **VIGTIGT!** Se brugsanvisningen for køretøjsejere/betjeningsvejledningen for ekstra sikkerhedsoplysninger, advarsler og forsigtighedsforanstaltninger relateret til betjeningen af din kørestol.

1.0 GENERELLE

1.1 Oversigt

▲ BRUGERADVARSEL!

UNDLAD AT BRUGE PRODUKTET ELLER ALLE FORMER FOR EKSTRAUDSTYR UDEN FØRST AT HAVE LÆST OG FORSTÅET DENNE VEJLEDNING OG ANDET INSTRUKTIONSMATERIALE, SOM FX BRUGERMANUALER, SERVICEMANUALER ELLER INSTRUKTIONSBLADE, DER LEVERES SAMMEN MED DETTE PRODUKT ELLER EKSTRAUDSTYR. HVIS DU IKKE ER I STAND TIL AT FORSTÅ ADVARSLERNE, FORSİGTIGHEDSFORANSTALTNINGERNE ELLER INSTRUKTIONERNE, SKAL DU KONTAKTE EN SUNDHEDSPROFESSIONEL, FORHANDLER ELLER TEKNISK PERSONALE, INDEN DU FORSØGER AT TAGE UDSTYRET I BRUG - I MODSAT FALD KAN DER OPSTÅ PERSON- ELLER PRODUKTSKADE.

i VIGTIGE OPLYSNINGER

Den bedste metode til at undgå problemer i forbindelse med tryksår er at forstå deres årsager og din rolle i et hudplejeprogram. Henvend dig til din behandler eller læge, hvis du har spørgsmål om individuelle begrænsninger og behov. Alle ryglæns puder bør udvælges omhyggeligt. At samarbejde med din behandler og læge er den bedste metode til at sikre, at en pude passer til dine individuelle behov. I og med, at den enkeltes behov bliver mere komplekse, bliver evalueringen også vigtigere.

Invacare® Matr^x® MX2-ryglæn

Invacare® Matr^x® MX2-ryglæn har en facon, der giver præcis støtte i kørestolen til optimal positionering. Skummet er i overstørrelse for at give ekstra komfort og beskyttelse.

Invacare® Matr^x® MX2-ryglænet inkluderer en skumlændepude, der kan monteres/indsættes bag den eksisterende skumpude for at give ekstra mulighed for justering af position. Se **Afsnit 6.0 - Lændestøtte**.

Det ydre betræk er fremstillet af åndbart materiale kombineret med et kunstlædermateriale for øget holdbarhed. Vi anbefaler, at det yderste betræk rengøres og efterses med jævne mellemrum. Se **Afsnit 5.0 - Pleje og vedligeholdelse**.

1.2 Sliddele

i VIGTIGT! Almindelige sliddele og komponenter omfatter, men er ikke begrænset til: alle betrækdele inklusive ryglænsbetræk og puder.

Invacare forbeholder sig ret til at bede om returnering af enhver artikel eller komponent, som har en påstået konstruktionsdefekt. Se **Garantioplysninger** (bagside) for specifikke garantioplysninger.

Se denne brugsanvisning for oplysninger om korrekt anvendelse af produktet og plan for forebyggende vedligeholdelse. Dette er kun en generel vejledning, som ikke omfatter komponenter og udstyr, som beskadiges pga. misbrug eller forkert brug. Brugstiden afhænger af mange faktorer.

1.3 Tiltænkt anvendelse

Vores Invacare® Matr^x® MX2-ryglæn er designet til at give præcis støtte i kørestolen til optimal positionering.

2.0 SIKKERHEDSOPLYSNINGER

2.1 Transportadvarsler!

▲ ADVARSEL!

Risiko for alvorlig skade, når kunden transporteres i en kørestol udstyret med et Invacare® Matrx® MX2-ryglæn i et motorkøretøj.

- Når det er muligt, anbefaler Invacare, at kunden flyttes fra kørestolen til et bilsæde, og at der anvendes en trepunktssele.
- Invacare® Matrx® MX2-ryglæn må kun bruges sammen med kørestole, der overholder krav til ydeevne i henhold til RESNA WC19 eller ISO 7176-19.
- Vedrørende sikker transport af en kunde i kørestol i et motorkøretøj henvises til brugsanvisningerne til kørestolen og fastspændingsystemet (WTORS).

2.2 Generel sikkerhed

▲ ADVARSEL! Risiko for død, alvorlig kvæstelse eller materialeskade

Forkert brug af dette produkt kan medføre kvæstelse eller beskadigelse. Hvis du ikke kan forstå advarslerne, forsigtighedsanvisningerne eller instruktionerne, bedes du kontakte en sundhedsprofessionel eller forhandleren, før dette udstyr tages i brug. UNDLAD at bruge dette produkt eller nogen former for ekstraudstyr uden først at have læst og forstået denne vejledning og andet instruktionsmateriale som f.eks. brugsanvisninger, servicemanualer eller instruktionsblade, der leveres sammen med dette produkt eller ekstraudstyret.

▲ ADVARSEL! Risiko for død, alvorlig kvæstelse eller materialeskade

Tændte cigaretter, der tages på et sædesystem med betræk, kan forårsage en brand, som fører til dødsfald, alvorlig kvæstelse eller materialeskade. Kørestolsbrugere er særligt udsatte i forhold til dødsfald eller alvorlig personskade pga. disse brande og medfølgende røg, da de ikke har mulighed for at komme ud af kørestolen.

- UNDLAD at ryge, mens du bruger kørestolen

▲ ADVARSEL! Skaderisiko

Invacare® Matrx®-produkter er specifikt designet og fremstillet til brug sammen med Invacare® Matrx®-tilbehør. Tilbehør, der er udviklet af andre producenter, er ikke blevet testet af Invacare og kan ikke anbefales til brug sammen med Invacare® Matrx®-produkter.

▲ ADVARSEL Risiko for personskade

Huden bør kontrolleres ofte efter installation af et nyt sædesystem. Henvend dig til din behandler eller læge, hvis du har spørgsmål om individuelle begrænsninger og behov. I og med, at den enkeltes behov bliver mere komplekse, bliver evalueringen også vigtigere.

2.0 SIKKERHEDSOPLYSNINGER

2.3 Monteringsadvarsler

⚠ ADVARSEL! Risiko for alvorlig kvæstelse

Ved bestemmelse af, hvor Invacare® Matrx® MX2-ryglænet skal placeres, skal det sikres, at kørestolen står stabilt. Når ryglænets position fortil og bagtil justeres, bliver brugerens tyngdepunkt i kørestolen ændret. Hvis ryglænet er skubbet tilbage, kan det mindske kørestolens stabilitet bagtil betydeligt. På samme måde kan en mere fremadrettet position af ryglænet mindske kørestolens stabilitet fortil.

⚠ ADVARSEL! Risiko for alvorlig kvæstelse eller materialeskade

- Instruktionerne i denne manual skal udføres af en kvalificeret tekniker.
- Beslag, der sidder løst, kan forårsage ustabilitet, hvilket kan medføre alvorlig kvæstelse eller materialeskade.
- Kontrollér inden brug, at alle beslag er spændt forsvarligt, efter AL justering, reparation eller service.
- UNDLAD at montere Invacare® Matrx® MX2-ryglænets samling på bagrør med en udvendig diameter på over 1" (25 mm) eller under 3/4" (19 mm). Ellers kan det medføre personskaade eller produktskade.
- Invacare® Matrx® MX2-ryglænet er ikke beregnet til el-betjent anvendelse.
- Placeringen af Invacare® Matrx® MX2-ryglænet er direkte relateret til kørestolens stabilitet. Det kan være nødvendigt at ændre positionen af forhjulene, drivhjulene, rygvinklen, frirummet til vipning og/eller sædedybden før brug.
- Sørg for, at Invacare® Matrx® MX2-ryglænet er korrekt fastgjort til kørestolen før brug. Ellers kan det medføre personskaade eller produktskade.

⚠ ADVARSEL! Risiko for alvorlig kvæstelse eller materialeskade

De medfølgende installationsdele har høj styrke og er holdbarhedstestet. **DU MÅ IKKE udskifte delene.** Brug kun de originale Matrx MX2-dele, der medfølger.

2.4 Ryglænsstørrelser/vægtkapacitet:

KONFIGURERET MODEL	BESKRIVELSE	KONTURDYBDE	VÆGTKAPACITET
IMX2wwhh	Matrx MX2-ryglæn	3" (76 mm)	250 lbs/(113 kg)

* ww hh = bredde/højde

Tilgængelige størrelser: Bredde: 14" - 18" (355 mm - 460 mm);
Højde: 6" (150 mm), 9" (230 mm), 12" (310 mm),
16" (410 mm)

Kontakt din forhandler eller behandler for at finde den passende ryglænsmodel/-størrelse til dine individuelle behov. For yderligere oplysninger om vores Matrx-ryglæn, inklusive alle tilgængelige modeller/størrelser, kan du besøge www.motionconcepts.com eller www.invacare.com.

3.0 MX2-RYGLÆN - MONTERING AF FAST BESLAG

3.1 Beslagsæt til fast beslag:

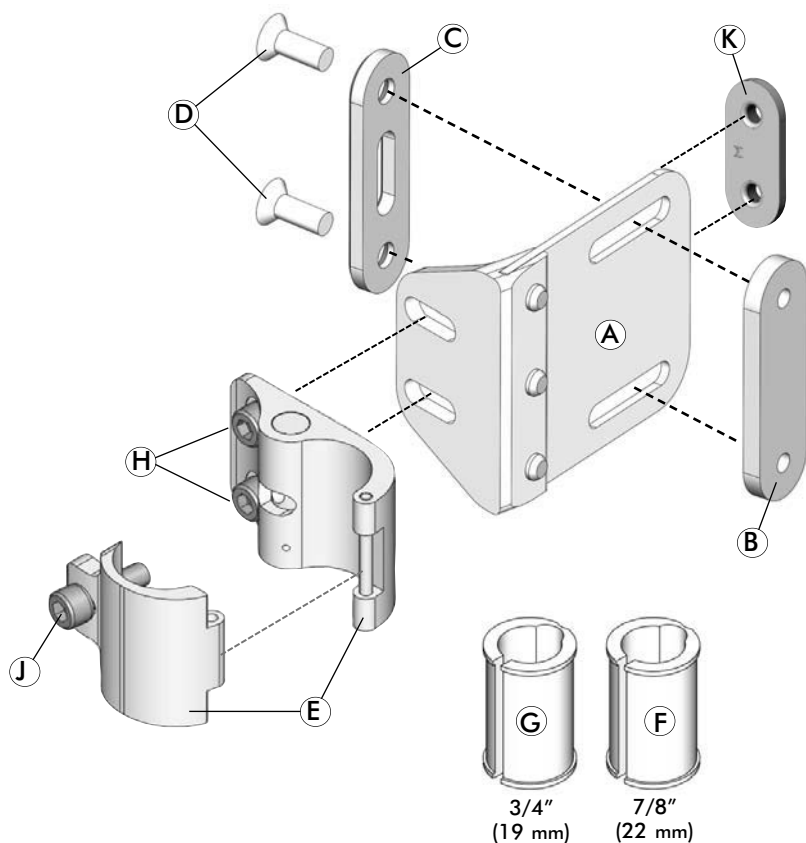
i) Monteringsbeslag (monteres på Mx2-ryglænskal):

- | | |
|---------------------------------------|---------------------------------------|
| 2 - Faste monteringsbeslag (A) | 2 - Spændeskiver til faste beslag (C) |
| 2 - Møtrikplader til faste beslag (B) | 4 - Skruer til faste beslag (D) |

ii) Rørklemme samling (monteres på kørestolens bagrør):

- | | |
|-----------------------------------|--|
| 2 - Rørklemme (E) | 4 - Skruer til indstilling af dybde/rygkip (H) |
| 2 - Rørindsatser 7/8" (22 mm) (F) | 2 - Skruer til rørklemmer (J) |
| 2 - Rørindsatser 3/4" (19 mm) (G) | 2 - Møtrikplader til rør klemmer (K) |

(Højre beslagsæt vist)



3.0 MX2-RYGLÆN - MONTERING AF FAST BESLAG

3.2 Nødvendigt værktøj

Unbrakonøgle (4 mm/5 mm) (medfølger)

Målebånd/lineal

! BEMÆRK

Hvis nogen af de medfølgende monteringsanordninger mangler eller er placeret forkert, bedes du kontakte din lokale Invacare/Motion Concepts-repræsentant for at få fat i de nødvendige erstatningsdele.

3.3 Installation af fast monteringsbeslag til MX2:

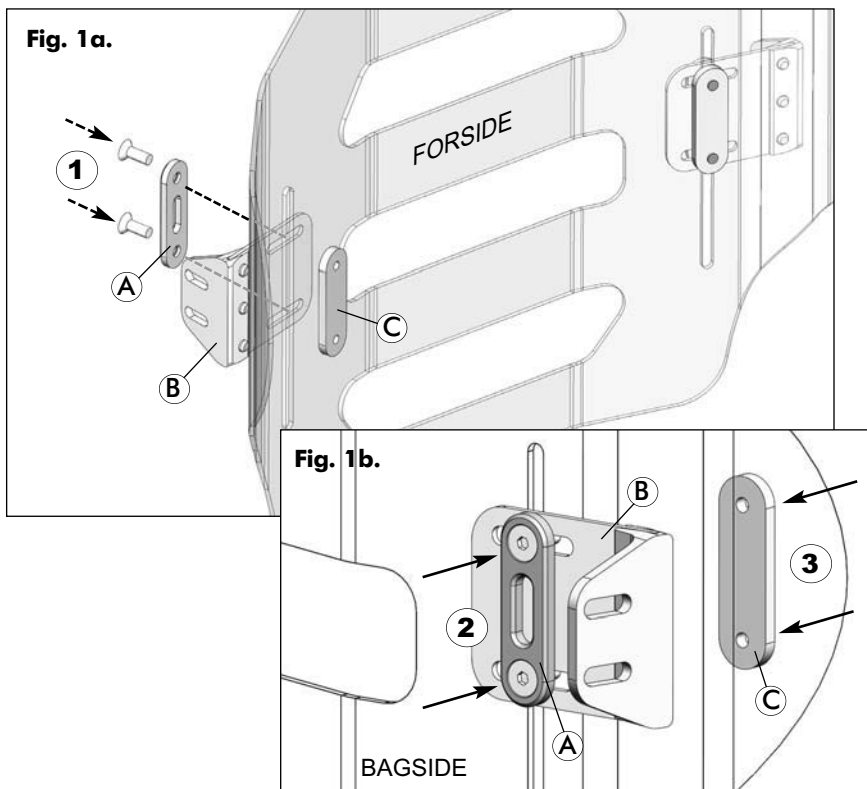
i BEMÆRK: Før montering af faste monteringsbeslag.

Fjern eller løs MX2-betrækket forsigtigt ved at frigøre velcroen langs den nederste kant og på indersiden af rygskallen.

- 1 Arbejd på den ene side af ryglænskskallen, og monter det faste monteringsbeslag på Invacare® MatrX® MX2-ryglænskskallen som følger:
 - Juster spændeskiven (A) med fordybningerne i det faste monteringsbeslag (B), og indsæt skruer gennem begge komponenter (1); (Se Fig. 1a)
 - Fra bagsiden af ryglænskskallen skal du montere de 2 fremstikkende skruer fra monteringsbeslaget gennem den lodrette åbning i MX2-ryglænskskallen (2); (Se Fig. 1b)
 - For at fastgøre monteringsbeslaget til Mx2-ryglænskskallen skal du skrue skrueerne ind i møtrikpladen (C) på forsiden (indersiden) af ryglænskskallen (3); (Se Fig.1b)
- 2 Monter det resterende faste monteringsbeslag på den anden side af ryglænskskallen (i henhold til Trin 1 herover).

3.0 MX2-RYGLÆN - MONTERING AF FAST BESLAG

Installation af fast monteringsbeslag



3.4 Formontering: MX2-rørklemme:

i VIGTIGT! Før montering af MX2-rørklemmer skal retningen af klemmerne først fastlægges.

For en **standardkonfiguration** skal rørklemmerne (A) samles og monteres på rygrørene i den mest *bagudvendte* retning. Denne konfiguration maksimerer den tilgængelige sædedybde på kørestolen - se **Fig. 2a**.

For en **omvendt konfiguration***, roteres rørklemmerne (A) 180° på rygrørene. Denne konfiguration minimerer den tilgængelige sædedybde og placerer MX2-ryglænet i en mere *fremadvendt* position, hvis det er nødvendigt - se **Fig. 2b**.

Rørklemmerne (A) kan justere 1,5" (38 mm) for og bag (i forhold til bagrøret) afhængigt af den valgte montering.

3.0 MX2-RYGLÆN - MONTERING AF FAST BESLAG

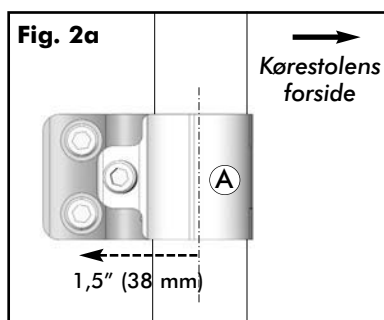
3.4 Formontering: MX2-rørklemme: ...fortsat

⚠ ADVARSEL! Risiko for alvorlig kvæstelse

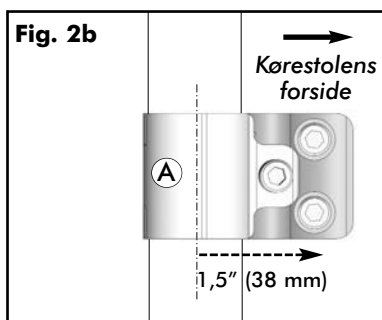
Ved bestemmelse af den endelige montering for Invacare® Matrix® MX2-ryglænet skal du sikre, at stabiliteten af kørestolen ikke påvirkes.

Ved at justere ryglænets position for og bag ændres brugerens tyngdepunkt i kørestolen. Hvis ryglænet er skubbet tilbage, kan det mindske kørestolens stabilitet bagtil betydeligt. På samme måde kan en mere fremadrettet position af ryglænet mindske kørestolens stabilitet fortil.

MX2-rørklemmeretning



**Standardrør
Klemme**
(maksimal sædedybde)



**Omvendt rør
Klemme**
(minimum sædedybde)

3.5 Montering af MX2-rørklemme:

MX2-rørklemmerne er designet til at tillade montering på rygrør med en diameter på 1" (25 mm), 7/8" (22 mm) og 3/4" (19 mm). (Plastikindsatser (A) medfølger for anvendelse på rygrør med mindre diameter*).

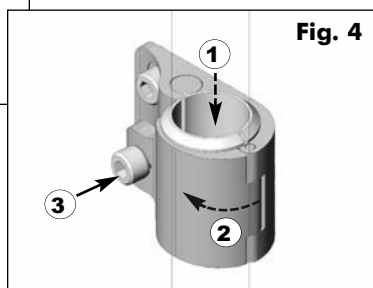
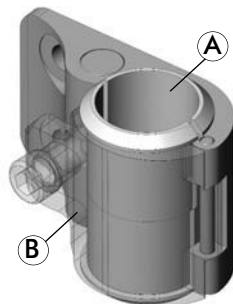
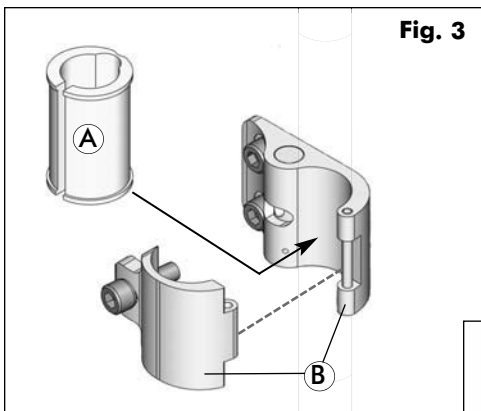
- 1 Fjern eventuelt kørestolens eksisterende ryglæn (hvis relevant).
- 2 Foretag løs montering af rørklemme (B) på hvert rygrør i den ønskede retning - se Fig. 3 og Fig. 4 for en oversigt over montering.

*Anvendelse af forskellige størrelser rygrør:

- 1" (25 mm) rør - Ingen plastikindsatser påkrævet
- 7/8" (22 mm) rør - Installer 7/8" (22 mm) plastikindsatser (x2)
- 3/4" (19 mm) rør - Installer 3/4" (19 mm) plastikindsatser (x2)

3.0 MX2-RYGLÆN - MONTERING AF FAST BESLAG

Montering af MX2-rørklemme



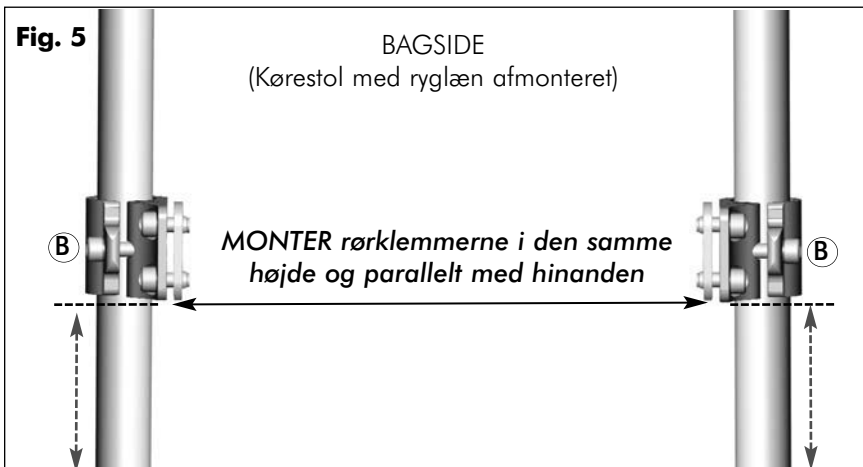
NYTTIGT TIP

Sprøjt en smule hårspray på rygrørene og på indersiden af plastikindsatserne for at skabe en skridsikker friktion.

- 3 Start på den ene side, skub/juster rørklemmen (B) til den ønskede højde/position langs rygrøret, og stram godt på plads.

Bemærk: Den endelige ryglænsenhøjde kan justeres/finindstilles efter montering af MX2-ryglænskallen på rørklemmerne (se Fig. 5)

Højdeindstilling af MX2-rørklemme



3.0 MX2-RYGLÆN - MONTERING AF FAST BESLAG

3.5 Montering af MX2-rørklemme: (... fortsat)

- 4 Fra et fast punkt på kørestolen (f.eks. sæderammen/tværstangen) måles højden af den første rørklemme (B), og den anden rørklemme fastgøres (B) ved samme højde på det modsatte rygrør (se Fig. 5)

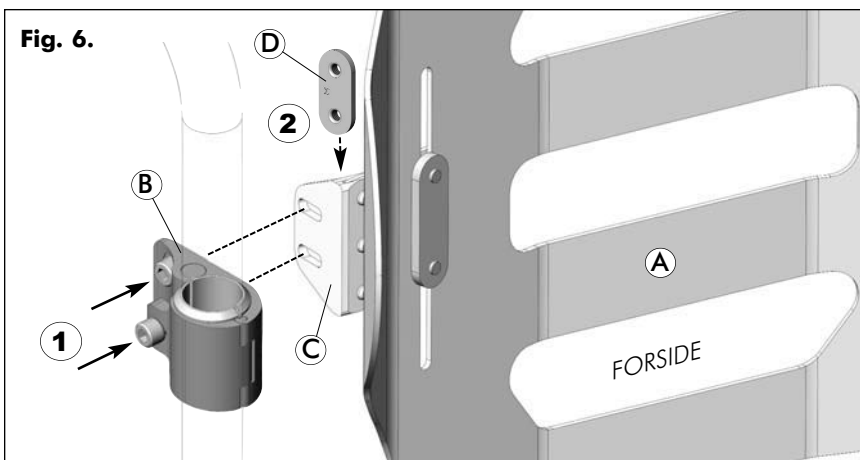
Bemærk: Kontrollér, at monterede rørklemmer er justeret parallelt med hinanden.

3.6 Montering af MX2-ryglænet på faste rørklemmer:

- 1 Når du arbejder på den ene side af ryglænskallen, skal du montere Matrix MX2-ryglænet (A) på rørklemmerne* (se Fig. 6):
- Juster de 2 monteringssskruer i rørklemmesamlingen (B) med de relevante fordybning i det faste MX2-monteringsbeslag (C) (1).
 - Fastgør rørklemmesamlingen til MX2-monteringsbeslaget ved hjælp af den medfølgende møtrikplade med gevind (D) (2).
 - Gentag trin (1) og (2) for at fastgøre MX2-ryglænskallen på det modsatte rygrør.

***BEMÆRK:** Før montering af Matrix MX2-ryglænet på rørklemmerne skal de faste monteringsbeslag løsnes lidt for at hjælpe med at justere og installere ryglænskallen. Se Afsnit 3.7 (Fig. 8) for mere detaljerede instruktioner om indstilling af bredde/højde

Montering af MX2-ryglæn: FASTE beslag



3.0 MX2-RYGLÆN - MONTERING AF FAST BESLAG

3.7 Indstillinger MX2-ryglæn med fast beslag:

i VIGTIGT! De faste MX2-monteringsbeslag er designet til installation på rygrør, der er op til **1" (25 mm) bredere eller 1" (25 mm) smallere** end den nominelle ryglænsbredde. Til en standardindstilling skal MX2-ryglænet installeres symmetrisk (centreret) mellem rygrørene.

i VIGTIGT! For bedst at bestemme de optimale konfigurationer af ryglænets dybde/højde/vinkel skal brugeren placeres i kørestolen under indstillingen.

1 Med MX2-ryglænet installeret på kørestolen (rørklemmer) kan den endelige dybde, højde/bredde og ryglænsvinkel for MX2-ryglænet justeres yderligere, så det passer til slutbrugeren:

i. **Indstilling af dybde:** Dybden af MX2-ryglænet (i forhold til rygrørene) kontrolleres med to separate indstillinger:

MX2- rørklemme retning: (se også **Afsnit 3.4**)

Retningen af MX2-rørklemmerne (mest fremadrettede installation eller mest bagudrettede installation) vil placere ryglænskallen (+/- **1,5" (38 mm)**) i forhold til rygrørene (**1**). Se **Fig. 7a**.

Den maksimale rækkevidde af indstilling af dybde for og bag af faste MX2- monteringsbeslag = **3" (76 mm) (+/- 1,5" (38 mm))**.

MX2-monteringsplader:

Fordybningsskanalerne i MX2-monteringspladerne giver mulighed for op til **1/2" (13 mm)** indstilling af dybde (**2**) inden for den maksimale rækkevidde for indstilling. Se **Fig. 7b**.

ii. **Bredde/højde- indstilling:** For at anvende variationer i rygrørene er finindstillelige breddejusteringer tilgængelige i de vandrette fordybninger i MX2-monteringsbeslagene (**1**). Højden af MX2-ryglænet (i forhold til rørklemmerne) kan justeres ved hjælp af de lodrette fordybninger i MX2-ryglænskallen (**2**). Længden af fordybningen (højdeindstilling) varierer afhængigt af størrelsen (højden) af ryglænskallen. Se **Fig. 8a** og **8b**.

iii. **Vinkelindstilling:** Ryglænsvinkelindstillinger på $\pm 15^\circ$ opnås ved at rotere ryglænskallen fremad (**1**) eller bagud (**2**) i fordybningsskanalerne på MX2-monteringsbeslagene. Se **Fig. 9**.

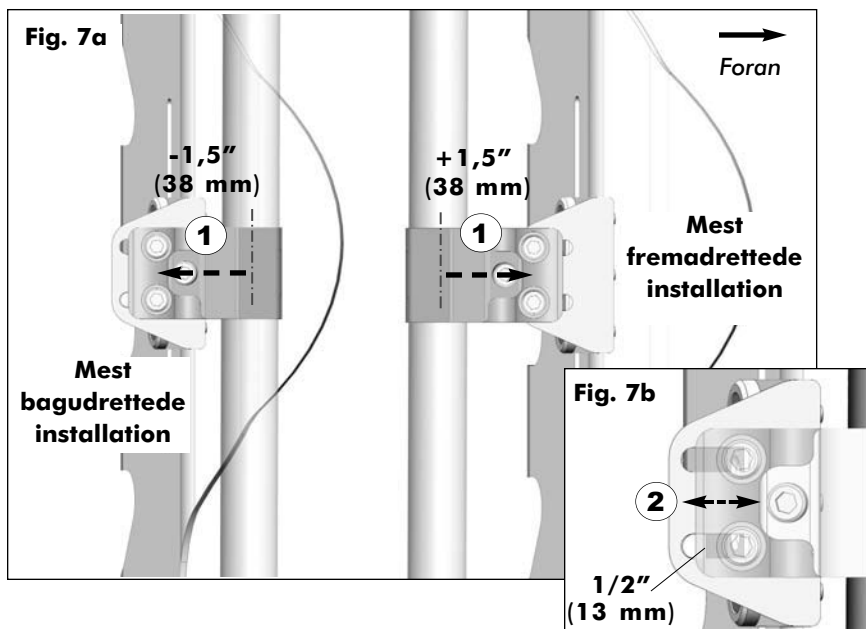
2 Kontrollér, at den overordnede komfort, pasform og indstilling af kørestolens ryglæn passer til brugeren. Foretag yderligere justeringer efter behov.

3 Fastgør/stram helt alle installations-/monteringsdele, og sørg for, at MX2-monteringsbeslagene/rørklemmerne ikke skrider eller roterer ud af position.

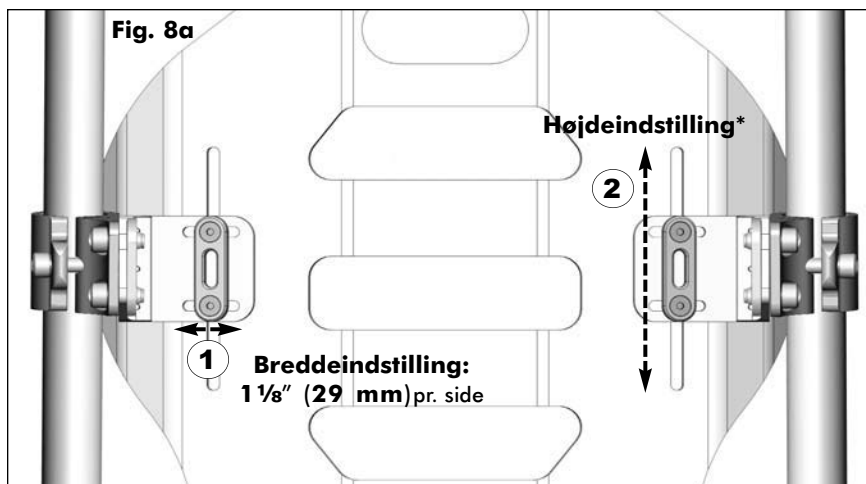
3.0 MX2-RYGLÆN - MONTERING AF FAST BESLAG

i VIGTIGT! Medmindre andet er påkrævet, skal **alle** dybde-, højde- og vinkelindstillinger foretages symmetrisk på venstre og højre monteringsplader.

Fast MX2-holder: Indstilling af DYBDE



Fast MX2-holder: Indstilling af BREDDÉ/HØJDE (i forhold til rørklemme)



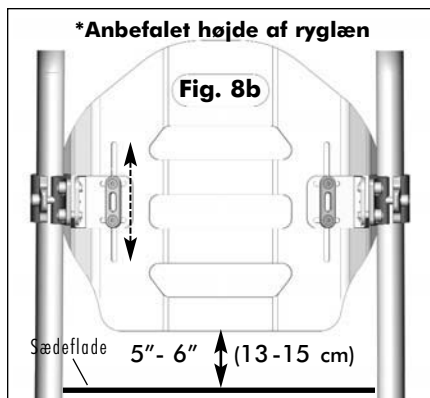
3.0 MX2-RYGLÆN - MONTERING AF FAST BESLAG

***BEMÆRK:** Rækkevidden af MX2-ryglænets højdeindstilling varierer afhængigt af højden (fordybningens længde) på MX2-ryglæns skallen - se **Skema 1.0:**

Skema 1.0:
MX2-højdeindstilling (fordybning)

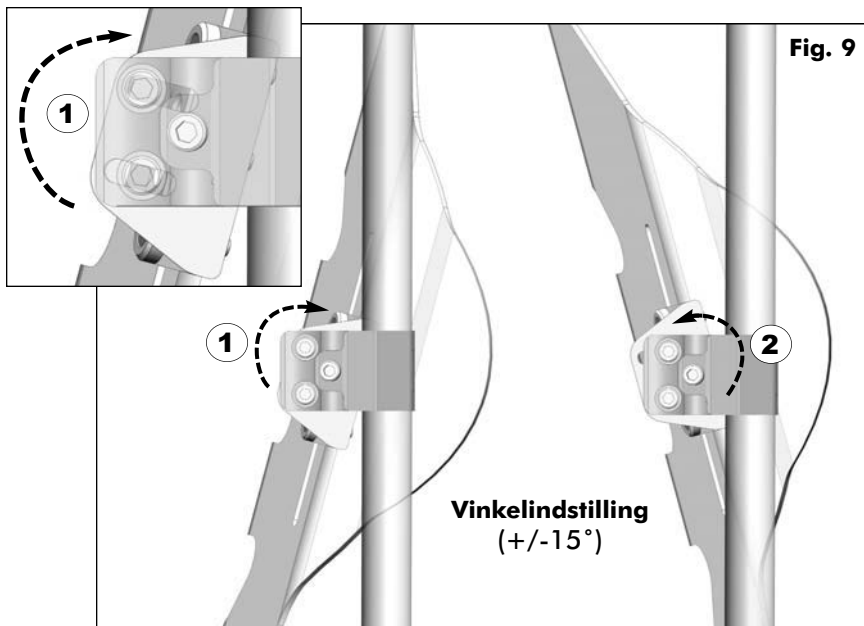
Ryglæns skal Højde	Rækkevidde af Indstilling
6" (150 mm)	1/2" (13 mm)
9" (230 mm)	2" (51 mm)
12" (310 mm)	2" (51 mm)
16" (410 mm)	3,5" (89 mm)

***Bemærk:** Den anbefalede MX2-ryglæns højde er kun vejledende. Mindre variationer kan være nødvendige - se **Vigtigt!**-noten herunder.



i VIGTIGT! Sørg altid for, at den nederste del af ryglænet er placeret anatomisk under PSIS (spina iliaca posterior superior). Hvis du har spørgsmål eller bekymringer i forbindelse med korrekt højde af ryglæn, bedes du kontakte din leverandør og/eller sundhedsprofessionelle for rådgivning.

Fast MX2-holder: Indstilling af RYGLÆNETS VINKEL

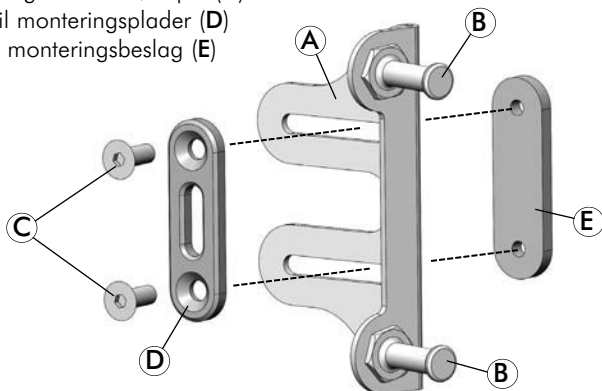


4.0 MX2-RYGLÆN - MONTERING AF SØHESTEBESLAG

4.1 Søhestebeslag (lynudløsning):

i) **Montering til lynudløsning (til installation på MX2-ryglænskallen):**

- 2 - MX2-monteringsbeslag til lynudløsning (A)
- 4 - Monteringsstifter til lynudløsning (B)
- 4 - Skruer til indstilling af bredde/højde (C)
- 2 - Spændeskiver til monteringsplader (D)
- 2 - Møtrikplader til monteringsbeslag (E)

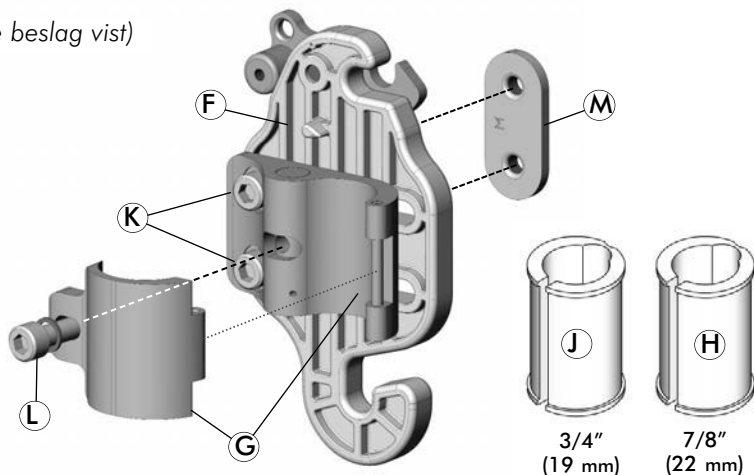


(Højre beslag vist)

ii) **Rørklemme samling (monteres på kørestolens rygrør):**

- 2 - Minimonteringsplader (F)
- 2 - Rørklemme (G)
- 2 - Rørindsatser 7/8" (22 mm) (H)
- 2 - Rørindsatser 3/4" (19 mm) (J)
- 4 - Skruer til indstilling af dybde/vinkel (K)
- 2 - Skruer til rørklemmer (L)
- 2 - Rør klemmemøtrikplader (M)

(Højre beslag vist)



4.0 MX2-RYGLÆN - MONTERING AF SØHESTEBESLAG

4.2 Nødvendigt værktøj

Unbrakonøgle (4 mm/5 mm) (medfølger)

Målebånd/lineal



BEMÆRK

Hvis nogen af de medfølgende monteringsanordninger mangler eller er placeret forkert, bedes du kontakte din lokale Invacare/Motion Concepts-repræsentant for at få fat i de nødvendige erstatningsdele.

4.3 Installation af MX2-søhestebeslag til lynudløsning:

i BEMÆRK: Før montering af søhestebeslag med lynudløsning

Fjern forsigtigt MX2-betrækket ved at løsne velcrokrogen, og vikl lukninger langs øverste og nederste kant og indersiden af ryglænskskallen.

- 1 Når du arbejder på den ene side af ryglænskskallen, skal du montere søhestebeslaget med lynudløsning (A) på Matrix MX2-ryglænskskallen på følgende måde:
 - Juster spændeskiven (B) med fordybningerne i monteringsbeslaget (A), og indsæt skruerne gennem begge komponenter (1); (Se Fig. 1a (p. 18))
 - Fra bagsiden af ryglænskskallen skal du montere de 2 fremstikkende skruer fra monteringsbeslaget gennem den lodrette åbning i MX2-ryglænskskallen (2); (Se Fig. 1b)
 - For at fastgøre monteringsbeslaget på Mx2-ryglænskskallen skal du skrue skruerne ind i møtrikpladen (D) på forsiden (indersiden) af ryglænskskallen (3); (Se Fig. 1b)
- 2 Installer det resterende søhestebeslag til lynudløsning (A) på den modsatte side af ryglænskskallen (i henhold til Trin 1 herover).

4.0 MX2-RYGLÆN - MONTERING AF SØHESTEBESLAG

Installation af monteringsbeslag til lynudløsning

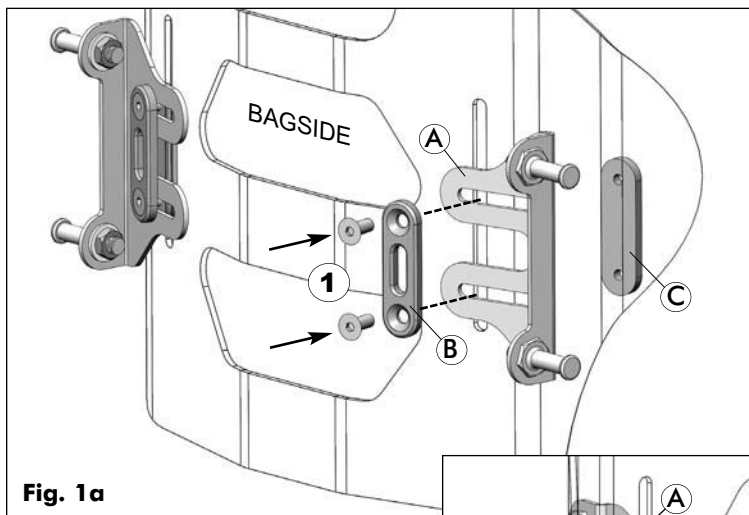


Fig. 1a

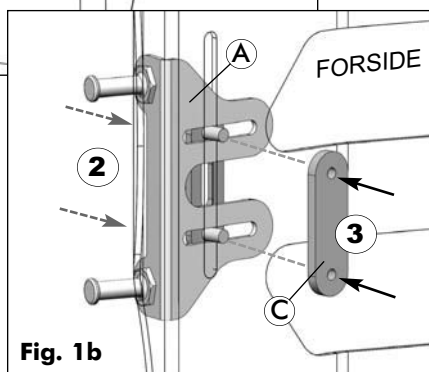


Fig. 1b



NYTTIGT TIP

Monteringsbeslagene/-delene til lynudløsning kan samles løst på MX2-ryglænskskallen som en hjælp til indstilling af beslag (bredde/højde) under installationen på MX2-monteringspladerne.

4.4 Formontering: MX2-rørklemmeretning

❗ VIGTIGT! Før installation af MX2-rørklemmesamlingerne skal retningen af klemmerne først bestemmes.

⚠ ADVARSEL! Risiko for alvorlig kvæstelse

Ved bestemmelse af den endelige monteringsposition for Invacare® Matrix® MX2-ryglænet skal du sikre, at stabiliteten af kørestolen ikke påvirkes.

Ved at justere ryglænets position for og bag ændres brugerens tyngdepunkt i kørestolen. Hvis ryglænet er skubbet tilbage, kan det mindske kørestolens stabilitet bagtil betydeligt. På samme måde kan en mere fremadrettet position af ryglænet mindske kørestolens stabilitet fortil.

4.0 MX2-RYGLÆN - MONTERING AF SØHESTEBESLAG

For en **standardkonfiguration** samles og monteres MX2-rørklemmerne (A) og monteringspladerne (B) på rygrørerne i den *mest bagudvendte* retning. Denne konfiguration maksimerer den tilgængelige sædedybde for kørestolen - se **Fig. 2**.

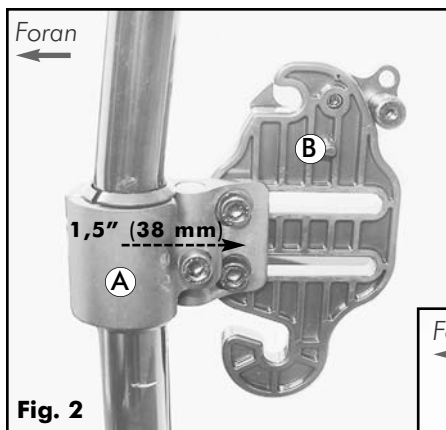
For en **omvendt konfiguration***, roteres rørklemmerne (A) 180° på rygrørerne. Denne konfiguration minimerer den tilgængelige sædedybde og placerer MX2-ryglænet i en mere *fremadvendt* position, hvis det er nødvendigt - se **Fig. 3**.

Rørklemmerne (A) giver mulighed for **1,5" (38 mm)** indstilling for og bag (i forhold til rygrøret) afhængigt af den valgte monteringskonfiguration.

Bemærk: Se **Afsnit 4.8** for mere detaljerede instruktioner om dybdeindstilling af aftagelig MX2-holder.

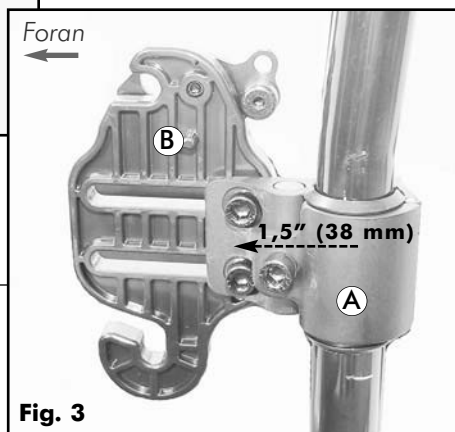
***Sådan vendes monteringspladen/rørklemmen til den mest fremadgående retning:**

- 1 Adskil monteringspladen (B) fra rørklemmen (A) (2 skruer);
- 2 Roter rørklemmen (A) 180°, og saml derefter monteringspladen igen (B) i den samme retning (som vist i **Fig. 3**)



**Standardrør
Klemmekonfiguration**
(maksimal sædedybde)

**Omvendt rør
Klemmekonfiguration**
(minimum sædedybde)



4.0 MX2-RYGLÆN - MONTERING AF SØHESTEBESLAG

4.5 Montering af rørklemme/monteringsplade til MX2:

MX2-rørklemmerne er designet, så de kan installeres på rygrør med en diameter på 1" (25 mm), 7/8" (22 mm) og 3/4" (19 mm). (Plastikindsatser (A) medfølger for anvendelse på rygrør med mindre diameter*).

- 1 Fjern eventuelt kørestolens eksisterende ryglæn (hvis relevant).
- 2 Foretag løs montering af rørklemmesamlingen (B) på hvert rygrør i den ønskede konfiguration - se Fig. 4 og Fig. 5 for en oversigt over montering.

*Anvendelse af forskellige størrelser rygrør:

1" (25 mm) rør - Ingen plastikindsatser påkrævet

7/8" (22 mm) rør - Installer 7/8" (22 mm) plastikindsatser (x2)

3/4" (19 mm) rør - Installer 3/4" (19 mm) plastikindsatser (x2)

Montering af MX2-rørklemme

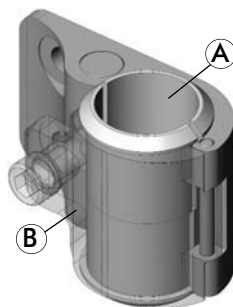
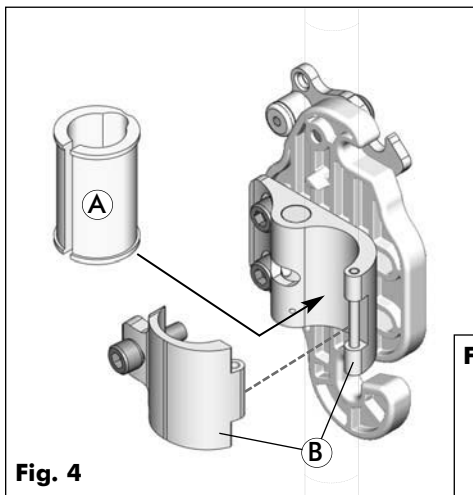
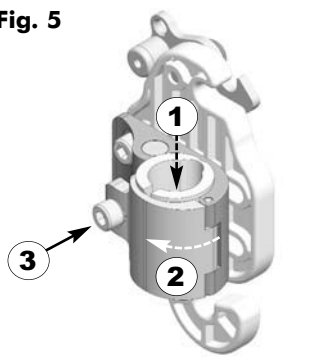


Fig. 5



NYTTIGT TIP

Sprøjt en smule hårspray på rygrørerne og på indersiden af plastikindsatserne for at skabe en skridsikker binding.

4.0 MX2-RYGLÆN - MONTERING AF SØHESTEBESLAG

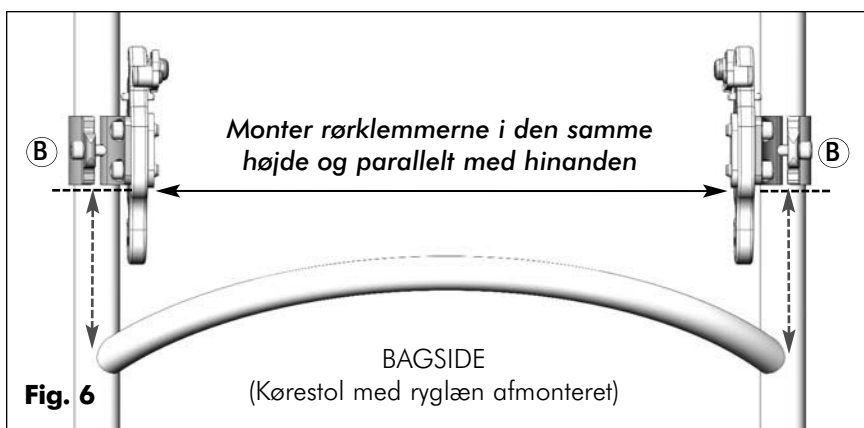
- 3 Start på den ene side, og skub/juster rørklemmen (B) til den ønskede højde/position langs rygrøret, og stram godt på plads.

Bemærk: Den endelige ryglænsenhøjde kan justeres/finindstilles efter installation af MX2-ryglænskallen på monteringspladerne

- 4 Fra et fast punkt på kørestolen (f.eks. sæderammen/tværstangen) skal du måle højden af den første rørklemmesamling og fastgøre den anden rørklemme ved samme højde på modsatte rygrør - se Fig. 6 herunder.

Bemærk: Sørg for, at installerede rørklemmer/monteringsplader er justeret parallelt i forhold til hinanden.

Højdeindstilling af MX2-rørklemme/monteringsplade



4.6 Montering af MX2-ryglænet på dele til lynudløsning

⚠ ADVARSEL! Forkert opsætning af stifter kan medføre skader på ryglænskallen og/eller monteringspladerne. Sørg for, at der er tilstrækkelig afstand mellem monteringspladen og monteringsstifternes hoved (**det anbefales, at der er en minimumsafstand på 1/8" (3 mm)**).

⚠ ADVARSEL! Anvend **ALDRIG** Loctite på monteringsbeslag; Ikke-metalkomponenter kan risikere at blive nedbrudte og skræbelige (gå itu), hvis de bliver kontamineret.

i VIGTIGT! Medmindre andet er påkrævet, skal du **altid** sikre, at indstillingerne foretages **symmetrisk** på venstre og højre monteringsbeslag.

4.0 MX2-RYGLÆN - MONTERING AF SØHESTEBESLAG

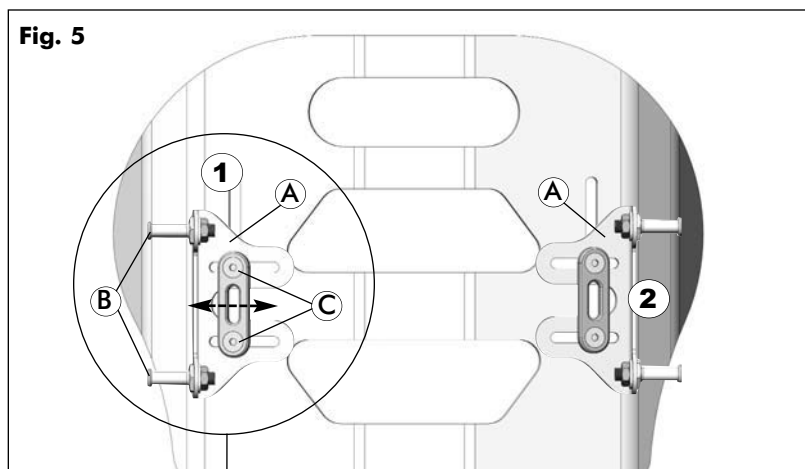
! **VIGTIGT!** Bemærk, at løsning af søhestebeslagene til lynudløsning (A) samtidigt indstiller **bredde og højde** af MX2-ryglænet. Læs **alle instruktioner grundigt**, inden installationen påbegyndes. Under montering anbefales det at indstille ét søhestebeslag ad gangen.

! BEMÆRK

På hvert søhestebeslag til lynudløsning (A) er monteringsstifterne (B) formonteret, og beslagene er designet med fordybninger til indstilling af bredde, der gør det muligt at installere MX2-ryglænet på rygrørerne, som er op til **1" (25 mm) bredere eller 1" (25 mm) smallere** end den nominelle ryglænsbredde.

- 1 Før montering af Invacare® Matrix® MX2-ryglænet: (Se Fig. 5)
 - i. Arbejd kun på én side ad gangen, og løsn let monteringsbeslagets spændeskive og beslag (C), så søhestebeslaget til lynudløsning (A) og monteringsstifterne (B) kan justeres indad eller udad (**1**) (efter behov) for justering i forhold til rørklemmens monteringsplader - se **Trin 2. (Fig. 6a/6b)**
 - ii. Lad det anden (modsatte) søhestebeslag til lynudløsning forblive fastgjort til MX2-ryglænskskallen (**2**).

Indstilling af beslag/monteringsstift til lynudløsning (Formontering)



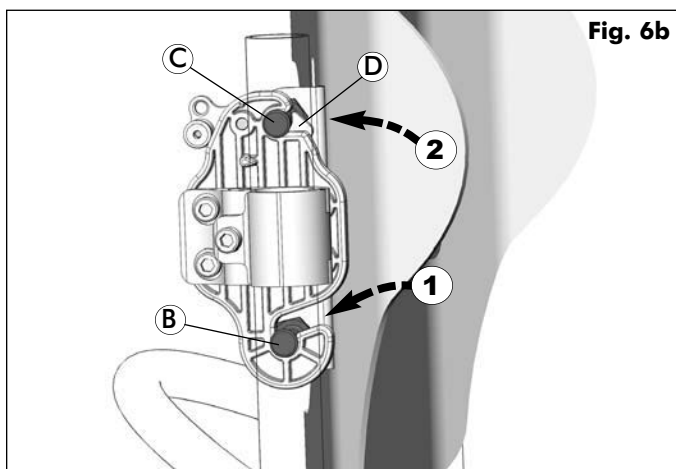
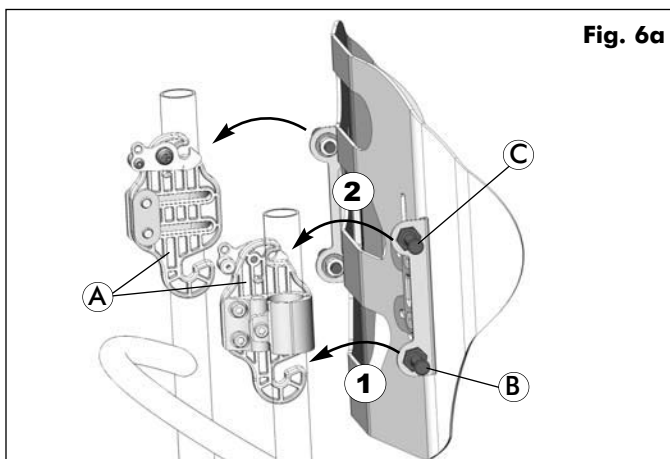
Løsn monterings-
beslagsamling
(kun den ene side)

4.0 MX2-RYGLÆN - MONTERING AF SØHESTEBESLAG

- 2 Monter MX2-ryglænet på monteringspladerne (A) på følgende måde:
(Se Fig. 6a og 6b)
 - i. Juster og indsæt de nederste monteringsstifter (B) i krogfordybningerne nederst på hver monteringsplade (1).
 - ii. Med de nederste stifter på plads låses/klikkes de øverste monteringsstifter (C) ind i låsemekanismen (D) øverst på hver monteringsplade (2).

⚠ ADVARSEL! Ved installation af MX2-ryglænet skal du altid sikre, at begge låsemekanismer (D) er helt i indgreb rundt om de øverste monteringsstifter.

Montering af MX2-ryglæn på monteringsplader



4.0 MX2-RYGLÆN - MONTERING AF SØHESTEBESLAG

4.7 MX2-ryglæn: Bredde- og højdeindstillinger

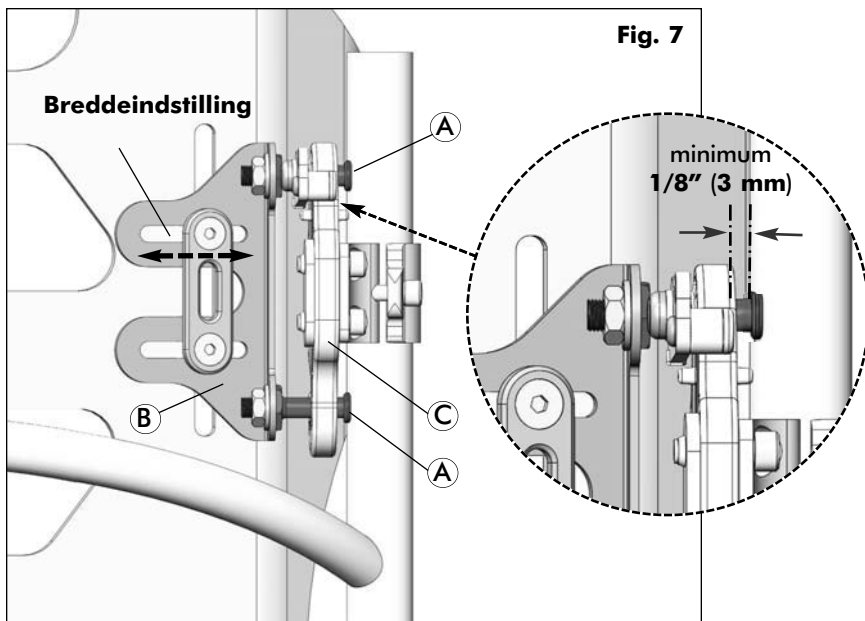
i VIGTIGT! Bemærk, at indstillinger af **bredde** og **højde** på MX2-ryglænet skal foretages samtidigt. Under MONTERING anbefaler vi, at indstillinger foretages ét beslag ad gangen, og at hvert beslag fastgøres lige akkurat nok til at forhindre, at det skrider under hver justering. Monteringsbeslag kan strammes helt efter afsluttet installation/opsætning.

- 1 Indstilling af bredde for monteringsstift:** Med MX2-ryglænet låst fast i monteringspladerne skal du indstille monteringsstiftens (A) bredde på hvert monteringsbeslag (B), så der er et **mellemrum på mindst 1/8" (3 mm)** mellem hovedet af monteringsstifterne og ydersiden af monteringspladen (C)*. (Se Fig. 7).

***BEMÆRK:** Til en standardindstilling for MX2-ryglæn skal ryglænsskallen forblive centreret mellem rygrørene efter en indstilling af bredde. (Monteringsbeslag skal indstilles symmetrisk på ryglænsskallen)

- 2** Stram begge monteringsbeslag lige præcis nok til at forhindre dem i at skride.

MX2-montering: Opsætning af monteringsstift/breddeindstilling

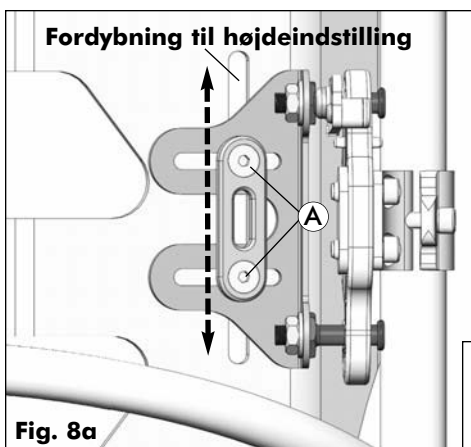


4.0 MX2-RYGLÆN - MONTERING AF SØHESTEBESLAG

- MX2-højdeindstilling:** MX2-ryglæns højden kan indstilles efter behov via fordybningskanalen i MX2-ryglæns skallen (se **Fig. 8a**). Den anbefalede højde af ryglænet* er ca. **5"-6" (13-15 cm)** fra toppen af **sædefladen** (sædepude eller sædeskål; Se **Fig. 8b**).
- Arbejd på én side ad gangen, og løs monteringsbeslagdelene (**A**), og skub MX2-ryglæns skallen op/ned, indtil den ønskede højde for ryglænet er opnået. **BEMÆRK:** Rækkevidden af MX2-ryglænets **højdeindstilling** varierer afhængigt af højden (fordybningens længde) på MX2-ryglæns skallen - se **Skema 1.0**:
- Stram monteringsbeslagpladen/-delene (**A**) for at fastgøre MX2-ryglænet i positionen, og sørg for at bevare den korrekte bredde og position for monteringsstiften (i henhold til **Fig. 7**). Gentag samme indstilling af ryglæns højde på det modsatte monteringsbeslag.
- Når alle indstillinger af bredde og højde er afsluttede, skal du fastgøre **alle** monteringsdele helt.

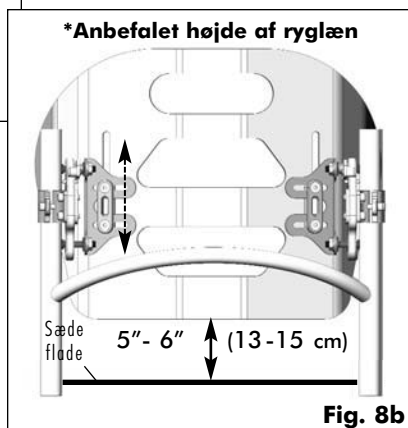
Bemærk: Den anbefalede MX2-ryglæns højde er kun vejledende. Mindre variationer kan være nødvendige - se **Vigtigt!-noten herunder.*

MX2-montering: Højdeindstilling af ryglæn



Skema 1.0:
MX2-højdeindstilling
(fordybning)

Ryglænskal Højde	Rækkevidde for indstilling
6" (150 mm)	1/2" (13 mm)
9" (230 mm)	2" (51 mm)
12" (310 mm)	2" (51 mm)
16" (410 mm)	3,5" (89 mm)



i VIGTIGT!

Sørg altid for, at den nederste del af ryglænet er placeret anatomisk under PSIS (spina iliaca posterior superior). Hvis du har spørgsmål eller bekymringer i forbindelse med korrekt højde af ryglæn, bedes du kontakte din leverandør og/eller sundhedsprofessionelle for rådgivning.

4.0 MX2-RYGLÆN - MONTERING AF SØHESTEBESLAG

4.8 MX2-ryglænen: Indstilling af vinkel og dybde

i VIGTIGT! Bemærk, at indstillinger af **vinkel og dybde** på MX2-ryglænet også foretages samtidigt. Disse to indstillinger er nemmere at udføre, hvis du først løsner indstillingsdelene på begge klemmesamlinger. (**Bemærk:** Til standardinstallation skal indstillinger af dybde og vinkel foretages symmetrisk på begge monteringsplader).

- 1 **Indstilling af MX2-vinkel:** Om nødvendigt kan MX2-ryglænets vinkel indstilles med de to skruer til indstilling af dybde/vinkel (A) på hver monteringsklemmesamling (B) (se Fig. 9a).
- 2 Løsn skrueerne til indstilling af dybde/vinkel (x2) på hver klemmesamling, og roter søhestebeslaget (C) fremad eller tilbage for at opnå den ønskede vinkel af ryglænet (**rækkevidde for indstilling af vinkel = $\pm 15^\circ$** , se Fig. 9b)

MX2-montering: Indstilling af ryglænets vinkel

Fig. 9a

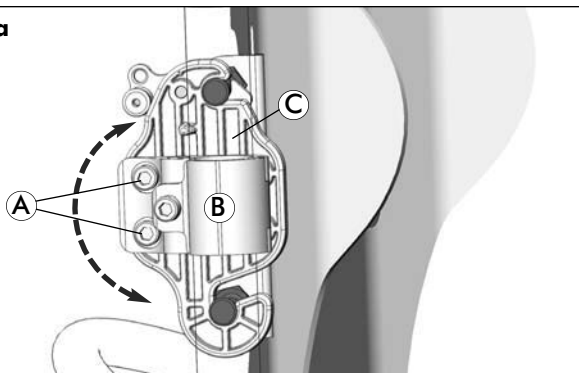
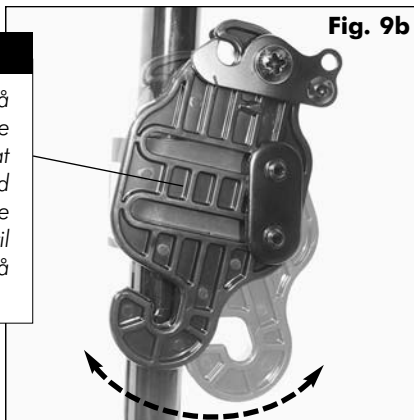


Fig. 9b



Vinkelindstilling ($\pm 15^\circ$)

! BEMÆRK

De støbte lodrette linjer på søhestebeslagene er designet til at være referencepunkter, som kan hjælpe med at sikre symmetriske indstillinger. Ved indstilling af MX2-ryglænets vinkel kan de lodrette linjer anvendes som en hjælp til justere til den samme vinkelindstilling på begge monteringsplader.

4.0 MX2-RYGLÆN - MONTERING AF SØHESTEBESLAG

- 3 **Indstilling af dybde for MX2:** Den samlede dybde af MX2-ryglænet kontrolleres vha. to separate indstillinger:

MX2-rørklemmeretning: (se også *Afsnit 4.4*)

MX2-rørklemmerne (B) kan monteres i enten standardretningen (bagud) eller en omvendt retning (forud) med henblik på kortere sædedybde (se **Fig. 10**).

Ved den **mest bagudvendte installation (1)** er sædedybden = **-1,75" (44 mm)**.

Ved den **mest fremadvendte installation (2)** er sædedybden = **+2,25" (57 mm)**.

(**Bemærk:** målt er i forhold til rygrørene og målt til monteringsstiftpositionen).

Den maksimale rækkevidde af dybdeindstilling for/bag (fra den mest bagudvendte montering til den mest fremadvendte montering) = **4,25" (108 mm)**

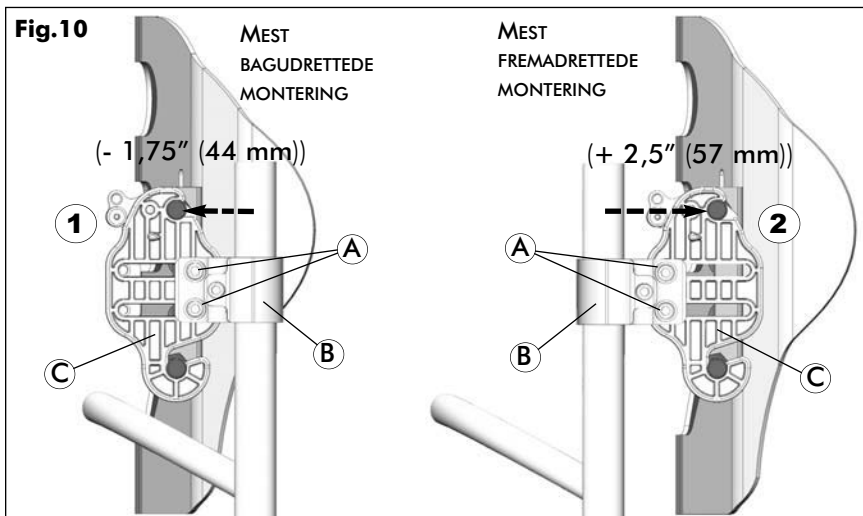
Indstilling af MX2-monteringspladedybde*:

Fordybningskanalerne i MX2-monteringspladerne (C) giver mulighed for op til **1,75" (44 mm)** dybdejustering inden for det maksimale justeringsområde (Se **Fig. 11 (p.28)**).

***BEMÆRK:** Rækkevidden for den tilgængelige indstilling af dybde for monteringspladen vil være mere begrænset, når vinklen for MX2-ryglænet ændres.

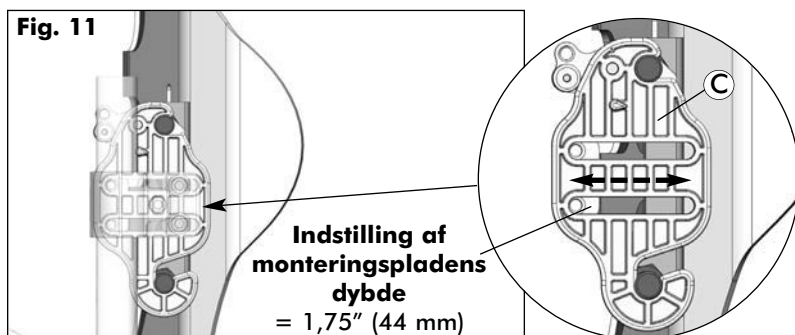
- 4 For justering løsnes de to indstillingsskruer (A) på hver rørklemmesamling, og monteringspladerne skubbes (C) fremad eller bagud ved hjælp af indstillingsfordybningerne for at opnå den ønskede dybde af ryglænet.
- 5 Når alle indstillinger af vinkel og dybde er afsluttede, skal du fastgøre **alle** monteringsdele helt.

MX2-montering: Indstilling af ryglænets dybde



4.0 MX2-RYGLÆN - MONTERING AF SØHESTEBESLAG

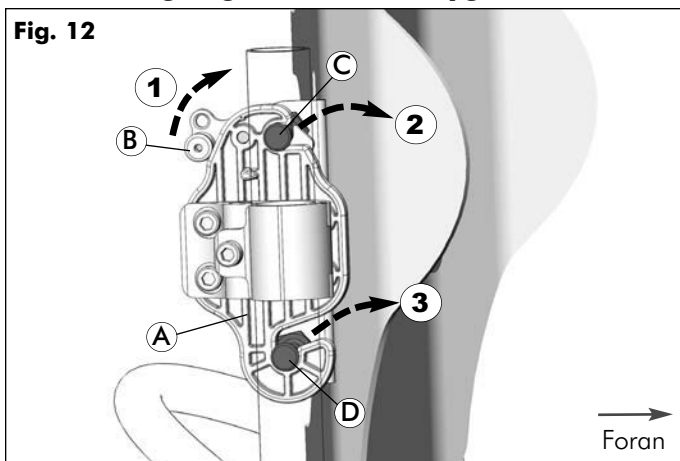
MX2-montering: Indstilling af ryglænets dybde



4.9 Afmontering af MX2-ryglænet fra søhestebeslag lynudløsning

- 1 Afmonter/frigør MX2-ryglænet fra søhestebeslagene (A) på følgende måde (Se Fig.12 herunder):
 - i. Stå bag ved kørestolen, **og løft samtidigt** op i låseudløsningsmekanismen (B) på begge søhestebeslag (1);
 - ii. Med åbne låsemekanismer skal du skubbe toppen af MX2-ryglænet fremad (2) for at frigøre de øverste monteringsstifter (C) fra søhestebeslagene (A).
 - iii. Med de øverste stifter frigjort skal du løfte MX2-ryglænet opad og fremad (3) for at løsne de nederste monteringsstifter (D) fra søhestebeslagene.

Afmontering/frigørelse af MX2-ryglænet



5.0 PLEJE OG VEDLIGEHOLDELSE

5.1 Pleje og vask:

i VIGTIGT! De anvendte rengørings- og desinfektionsmidler skal være effektive og kunne anvendes sammen, og de må ikke angribe de materialer, der rengøres.

! FORSIGTIG! Risiko for beskadigelse af produktet
UNDLAD at bruge rengøringsmidler, der indeholder blegemidler, fenoler eller alkohol.

Generel pleje og rengøring:

Betrækket kan nemt tørres af med en fugtig klud, når det er nødvendigt.

Vaskeanvisninger (udvendigt betræk):

1. Fjern forsigtigt betrækket ved at løsne velcroen langs øverste og nederste kant og indersiden af ryglænskallen.

BEMÆRK: Før vask skal den indvendige polstring fjernes.

2. Maskinvask ved 60 °C på skåneprogram (se vejledningen på mærkaten).

i VIGTIGT! Vask ved højere temperaturer kan medføre krympning

3. Hæng betrækket op, og lad det dryptørre i rene indendørs omgivelser;
eller

Tør det i tørretumbler ved lav varme.

i VIGTIGT!

– Temperaturen ved tørretumbling må ikke overstige 40 °C.

– Undlad at tørretumble i mere end 10 minutter.

– Lad tørre grundigt før genmontering på skummet

– Må ikke stryges

– Må ikke renses kemisk

5.2 Vedligeholdelse og eftersyn:

Månedligt: Foretag visuelt eftersyn af dele, herunder monteringsdele, beslag og polstringsmaterialer, skum og plast, hvor der kontrolleres for deformationer, korrosion, knæk, slid eller trykmærker.

! ADVARSEL! Risiko for personskade eller produktskade

Efterse ALLE fastgørelsesdele hver uge for at sikre, at mekaniske forbindelser og fastgørelsesdele er tilspændt forsvarligt.

Fortsæt IKKE med at bruge dette produkt, hvis der konstateres problemer. Fejlafhjælpende forholdsregler kan udføres af eller gennem din forhandler af udstyr.

6.0 MX2 EKSTRAUDSTYR

6.1 Montering/indstilling af lændestøtten (ekstraudstyr)

! BEMÆRK

Lændestøtten er en præ-fabrikeret skumindsats, der støtter den nederste del af ryggen for øget komfort. Lændestøttens position kan justeres inden i Invacare® Matrux® MX2-betrækket (se *nedenstående instruktioner*), eller den kan fjernes, hvis der ikke ønskes støtte til lænden.

1. Du kan få adgang til lændestøtten ved at åbne velcroen på det udvendige betræk A nederst bagpå ryglænskallen.
2. Skumlændestøtten B sidder inde i Invacare® Matrux® MX2-betrækket mellem skumryglænsputen C og ryglænskallen D.
3. Lændestøtten kan indstilles til enhver ønsket højde/position.
4. Fastgør betrækket igen (ved hjælp af velcroen) på ryglænskålen.

Lændestøtte



***BEMÆRK:** Lændeskummet kan tilskæres/formes efter behov, så det passer til slutbrugerens behov.



juster positionen af lændestøtten efter behov, eller fjern den helt

6.0 MX2 EKSTRAUDSTYR

6.2 Overgangsdække (ekstraudstyr) (sælges separat)

Overgangsdække kan fås (sælges separat) til brug med alle MX2-ryglæn i standardstørrelser. Alle ryglæn i standardstørrelse er forsynet med et velcrobånd bagest på pudebetrækket med henblik på montering af et overgangsdække.

Det fremgår af oversigten, hvilken størrelse overgangsdække der passer til MX2-ryglænet.

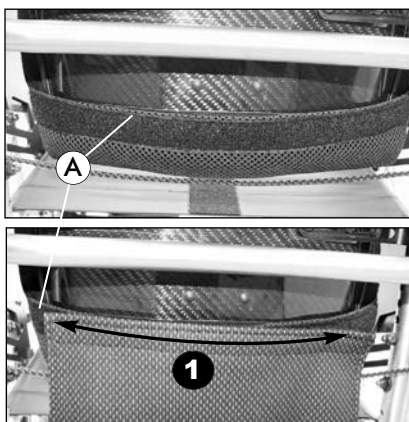
BREDDE	OVERGANGSDÆKKE
14" (36 cm)	PFLAP-XS 10" x 16" (26 cm x 41 cm)
15" (38 cm)	PFLAP-S 13" x 16" (33 cm x 41 cm)
16" (41 cm)	
17" (43 cm)	PFLAP-M 15" x 16" (38 cm x 41 cm)
18" (46 cm)	



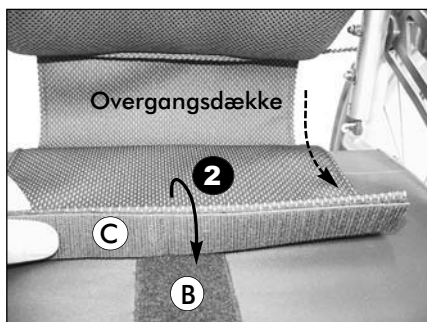
Vejledning i montering:

1. Afmonter kørestolens sædepude (hvis en sådan er monteret).
2. Kontrollér, at ryglænet er indstillet til den ønskede højde. (Se **Afsnit 4.0, Figur 8.**)
3. Stå bag kørestolen (hvor du vender fremad), og juster/fastgør velcroen på forhænget på det velcro, der er syet ind i den nederste del af bagsiden af MX2-ryglænsbetrækket (**A**). (se Trin **1** herunder).
4. Træk den modsatte (ikke fastgjorte) ende af overgangsdækket gennem åbningen mellem den nederste ryglæns skal og kørestolens sæde.
5. Fastgør velcroen på forhænget til det allerede eksisterende velcrobånd* (**B**) på kørestolens sæde eller sædeskål. (se Trin **2** herunder).

***BEMÆRK:** Hvis kørestolens sæde har et matchende velcro monteret, skal du fastgøre overgangsdækket ved hjælp af velcroadapter (**C**).



BAGSIDE



FORSIDE

matrix[®]
SEATING SERIES



Matrix MX2 Ryggstöd

FAST monteringsfäste och
AVTAGBART monteringsfäste

MONTERING/INSTÄLLNING

i **VIKTIGT!** Montering enligt instruktionerna i denna bruksanvisning ska endast utföras av kvalificerad personal.

HJÄLPMEDELSCENTRAL: Den här bruksanvisningen **MÅSTE** ges till användaren av produkten.

ANVÄNDARE: Innan du använder produkten ska du läsa denna bruksanvisning och spara den för framtida behov.



TRD0439 Rev B

GARANTI

OBSERVERA! NEDANSTÅENDE GARANTI FÖLJER TILLÄMPLIGA FEDERALA LAGAR FÖR PRODUKTER TILLVERKADE EFTER 4 JULI 1975.

Denna garanti ges endast till den ursprungliga köparen/användaren av våra produkter. Denna garanti ger dig specifika juridiska rättigheter, och du kan även ha andra rättigheter som varierar mellan olika stater. Invacare/Motion Concepts garanterar under två års användning av den ursprungliga köparen att denna produkt är fri från defekter i material och utförande. Denna garanti gäller inte för punkteringar, revor eller brännmärken, och omfattar inte dynans avtagbara klädsel. Om produkten skulle visa sig defekt inom denna garantiperiod väljer Invacare/Motions Concepts om den ska bytas ut eller repareras, med nya eller renoverade delar. Denna garanti inkluderar inte arbete eller fraktkostnader som uppstår vid utbyte av delar eller reparationer av produkten. Produktreparationer förlänger inte denna garanti – täckningen av den reparerade produkten upphör när denna begränsade garanti löper ut. Invacares/ Motions Concepts enda skyldighet och det enda avhjälpandet enligt denna garanti begränsas till sådan reparation och/eller utbyte. För garantiservice, kontakta den hjälpmedelscentral du köpte din Invacare/Motion Concepts-produkt från. Om du inte blir nöjd med garantiservicen kan du skriva direkt till Invacare/Motion Concepts på adressen på baksidan. Ange hjälpmedelscentralens namn och adress, modellnummer, datum för inköp, felets natur samt produktens serienummer om den har ett sådant.

Invacare Corporation/Motion Concepts utfärdar godkännande för retur. Den defekta enheten eller delarna måste returneras för garantiinspektion med motsvarande serienummer om sådant finns, inom trettio (30) dagar från returgodkännandet.

Returnera INTE produkter till vår fabrik utan föregående medgivande från oss. Försändelser mot postförskott kommer att avisas, se till att fraktkostnader är betalda i förskott.

BEGRÄNSNINGAR OCH UNDANTAG: DENNA GARANTI GÄLLER INTE FÖR PROBLEM SOM HÄRRÖR FRÅN NORMALT SLITAGE ELLER P.G.A. ATT DE MEDFÖLJANDE INSTRUKTIONERNA INTE FÖLJS. GARANTIN GÄLLER INTE HELLER FÖR SERIENUMMERMÄRKTA PRODUKTER OM SERIENUMRET HAR TAGITS BORT ELLER SKADATS, PRODUKTER SOM UTSATTS FÖR VANVÅRD, OLYCKOR, FELAKTIG HANTERING, UNDERHÅLL ELLER FÖRVARING, ELLER PRODUKTER SOM MODIFIERATS UTAN INVACARES/MOTION CONCEPTS UTTRYCKLIGA SKRIFTLIGA MEDGIVANDE, INKLUSIVE MEN INTE BEGRÄNSAT TILL: MODIFIERING GENOM ANVÄNDNING AV EJ GODKÄNDA DELAR ELLER TILLBEHÖR: PRODUKTER SKADADE AV REPARATIONER PÅ KOMPONENTER UTAN INVACARES/ MOTION CONCEPTS UTTRYCKLIGA MEDGIVANDE, PRODUKTER SKADADE UNDER OMSTÄNDIGHETER SOM STÅR UTANFÖR INVACARES/MOTION CONCEPTS KONTROLL, PRODUKTER SOM REPARERATS AV ANNAN ÄN EN INVACARES/MOTION CONCEPTS HJÄLPMEDELSCENTRAL, OCH DENNA BEDÖMNING GÖRS ENDAST AV INVACARE/MOTION CONCEPTS.

DENNA GARANTI ÄR EXKLUSIV OCH GÄLLER I STÄLLET FÖR ALLA ANDRA UTTRYCKLIGA GARANTIER, INKLUSIVE UNDERFÖRSTÅDDA GARANTIER OM ALLMÅN LÄMPLIGHET ELLER LÄMPLIGHET FÖR ETT VISST ÄNDAMÅL. DEN GÄLLER INTE UTÖVER VARAKTIGHETEN FÖR DENNA UTTRYCKLIGA GARANTI, OCH AVHJÄLPANDET VID ÖVERTRÄDELSE AV UNDERFÖRSTÅDD GARANTI ÄR BEGRÄNSAT TILL REPARATION ELLER UTBYTE AV DEN DEFEKTA PRODUKTEN I ENLIGHET MED DESSA VILKOR. INVACARE/MOTION CONCEPTS KAN INTE HÅLLAS ANSVARIGA FÖR NÅGRA EVENTUELLA FÖLJDSKADOR ELLER INDIREKTA SKADOR. DENNA GARANTI KAN ENDAST FÖRLÄNGAS FÖR ATT UPPFYLLA STATLIGA/LOKALA LAGAR OCH KRAV.

Bruksanvisningen får inte reproduceras eller tryckas om, helt eller delvis, utan föregående skriftligt medgivande från Motion Concepts eller dess behöriga ombud.

Denna bruksanvisning har sammanställts av de senaste specifikationerna och produktinformation som är tillgängliga vid publiceringstillfället. Vi förbehåller oss rätten att göra nödvändiga ändringar vid behov. Eventuella ändringar i våra produkter kan orsaka mindre skillnader mellan illustrationer och beskrivningar i den här bruksanvisningen och den inköpta produkten. Om du har frågor avseende informationen i bruksanvisningen kan du kontakta vår kundserviceavdelning för att få hjälp.


Innehåll


- 1.0 Allmänna varningar
- 2.0 Säkerhetsinformation
- 3.0 MX2-montering/justering – **Fast montering**
- 4.0 MX2-montering/justering – **Avtagbart montering**
- 5.0 Instruktioner för skötsel och underhåll
- 6.0 Tillval till MX2


SÄKERHETSSYMBOLER:

Korrekt inställning och säker användning av Invacare Matrx MX2 ryggstöd är beroende av ditt eget, leverantörens, vårdgivarens och/eller vårdpersonalens goda omdöme och sunda förnuft. Följande symboler används i denna bruksanvisning för att markera varningar, försiktighetsåtgärder och viktiga anmärkningar. Det är mycket viktigt att du läser och förstår dessa ordentligt.

 **FÖRSIKTIGT!** Om försiktighetsanmärkningarna i denna bruksanvisning inte följs kan det leda till skada på Matrx-sitsprodukten.

 **VARNING!** Om varningarna i denna bruksanvisning inte följs kan det leda till personskada.

 **VIKTIGT!** Viktig information att komma ihåg under montering och inställning av Matrx-sitsprodukten.

 **VIKTIGT!** Ytterligare säkerhetsinformation, varningar och försiktighetsanmärkningar angående användning av rullstolen finns i bruksanvisningen till rullstolen.

1.0 ALLMÄNNA VARNINGAR/INFO

1.1 Översikt

⚠ VARNING TILL ANVÄNDARE!

ANVÄND INTE DENNA PRODUKT ELLER NÅGON TILLVALSUTRUSTNING INNAN DU HAR LÄST OCH FÖRSTÅTT DESSA INSTRUKTIONER OCH EVENTUELLT YTTERLIGARE INSTRUKTIONSMATERIAL SÅSOM ÄGARMANUALER, SERVICEMANUALER ELLER INSTRUKTIONSBLAD SOM MEDFÖLJER PRODUKTEN ELLER TILLVALSUTRUSTNING. OM DU INTE KAN FÖRSTÅ VARNINGARNA ELLER INSTRUKTIONERNA SKA DU KONTAKTA VÅRDPERSONAL, HJÄLPMEDELSCENTRALEN ELLER TEKNISK PERSONAL INNAN DU ANVÄNDER UTRUSTNINGEN – ANNARS KAN SKADA PÅ PERSON ELLER EGENDOM UPPSTÅ.

i VIKTIG INFORMATION

Det bästa sättet att undvika problem med trycksår är att förstå vad som orsakar dem samt din roll i ett hudvårdsprogram. Rådgör med din terapeut och läkare om du har några frågor angående individuella begränsningar och behov. Alla ryggdynor bör väljas med omsorg. Det bästa är att arbeta tillsammans med din terapeut och din läkare för att se till att valet av dynor passar dina individuella behov. När individens behov blir mer komplicerade blir utvärderingen ännu viktigare.

Invacare® Matrx® MX2 ryggstöd

Invacare® Matrx® MX2-ryggstödet är konturformat för att passa precis i rullstolen och ge optimalt stöd. Skummet är extra stor för extra komfort och skydd.

Invacare® Matrx® MX2-ryggstödet har ett flyttbart ländryggsstöd av skum som kan installeras/infogas bakom den befintliga skumdynan för att ge ytterligare justeringsmöjligheter. Se **avsnitt 6.0 - Ländryggsstöd**.

Den yttre klädseln består av ett nätmellanlägg som andas och ett konstlädermaterial som ger extra slittålighet. Regelbunden rengöring och inspektion av den yttre klädseln rekommenderas. Se **avsnitt 5.0 – Skötsel och underhåll**.

1.2 Förslitningsartiklar

i VIKTIGT! Artiklar och komponenter som utsätts för normal förslitning innefattar, men begränsas inte till, alla delar med stoppning, däribland ryggstöd och dynor. Invacare förbehåller sig rätten att återkalla artiklar med påstådda brister i utförande. Se **Garantipolicy** (baksidan) för specifik garantiinformation. Schema för förebyggande underhåll och instruktioner för korrekt användning av produkten finns i den här bruksanvisningen. Detta är endast en allmän vägledning och omfattar inte artiklar som skadats på grund av missbruk eller våld. Livslängden påverkas av många faktorer.

1.3 Avsedd användning

Våra Invacare® Matrx® MX2-ryggstöd är utformade för att passa precis i rullstolen och ge optimalt stöd.

2.0 SÄKERHETSINFORMATION

2.1 Transportvarningar!

⚠ VARNING!

Risk för allvarliga personskador vid transport av användaren i en rullstol utrustad med ett Invacare® Matrix® MX2-ryggstöd i ett motorfordon.

- När det är praktiskt möjligt rekommenderar Invacare att användaren flyttas över från rullstolen till ett säte i fordonet och använder ett säkerhetsbälte över höften och diagonalt över bröstet.
- Invacare® Matrix® MX2 -ryggstöd ska endast användas tillsammans med rullstolar som uppfyller prestandakraven enligt RESNA WC19 eller ISO 7176-19.
- För säker transport av användare i rullstol i ett motorfordon hänvisas till bruksanvisningarna för rullstolen och förankrings- och passagerarfästspänningssystemet (WTORS).

2.2 Allmän säkerhet

⚠ VARNING! Risk för dödsfall, allvarlig skada eller produktskada

Felaktig användning av den här produkten kan orsaka personskador eller materiella skador. Om du inte kan förstå varningarna eller instruktionerna ska du kontakta vårdpersonal eller hjälpmedelscentralen innan du använder utrustningen. Använd INTE den här produkten eller någon tillvalsutrustning innan du har läst och förstått dessa instruktioner och eventuellt ytterligare instruktionsmaterial, såsom bruksanvisning, servicemanualer eller instruktionsblad som medföljer produkten eller tillvalsutrustningen.

⚠ VARNING! Risk för dödsfall, allvarlig personskada eller materiell skada

Tända cigaretter som tappas på ett sittsystem med stoppning kan orsaka brand med dödsfall, allvarliga personskador eller materiella skador som följd. Rullstolens användare löper särskilt stor risk för dödsfall eller allvarlig personskada från sådana bränder och deras rökutveckling eftersom de kanske inte har förmåga att förflytta sig från rullstolen.

- Rök INTE under användning av den här rullstolen

⚠ VARNING! Risk för personskador

Invacare® Matrix®-produkter är särskilt utformade och tillverkade för att användas med Invacare® Matrix®-tillbehör. Tillbehör från andra tillverkare har inte testats av Invacare, och rekommenderas inte för användning med Invacare® Matrix®-produkter.

⚠ VARNING Risk för personskador

Huden bör undersökas ofta efter att ett nytt sittsystem har monterats. Rådgör med din terapeut och läkare om du har några frågor angående individuella begränsningar och behov. När individens behov blir mer komplicerade blir utvärderingen ännu viktigare.

2.0 SÄKERHETSINFORMATION

2.3 Monteringsvarningar

⚠ VARNING! Risk för allvarliga personskador

När monteringspositionen för Invacare® MatrX® MX2-ryggstödet bestäms ska du se till att rullstolens stabilitet inte påverkas. När ryggstödet position justeras framåt och bakåt ändras användarens tyngdpunkt i rullstolen. En position långt bak kan minska rullstolens stabilitet bakåt betydligt. Likaså kan en position längre fram minska rullstolens stabilitet framåt.

⚠ VARNING! Risk för allvarliga personskador eller materiella skador

- Förfaranden i den här bruksanvisningen ska utföras av kvalificerad personal.
- Delar som fästs dåligt eller sitter löst kan leda till försämrad stabilitet, vilket i sin tur kan orsaka allvarliga personskador eller materiella skador.
- Se till efter ALLA justeringar, reparationer eller service och före användning att allt monterat material sitter fast ordentligt.
- Installera INTE Invacare® MatrX® MX2-montaget på ryggstödsrör med en utvärdig diameter som överstiger 1" (25 mm) eller understiger 3/4" (19 mm). Annars kan personskador eller materiella skador uppstå.
- Invacare® MatrX® MX2-ryggstödet är inte avsett för eldrivna sittsystem.
- Monteringspositionen för Invacare® MatrX® MX2-ryggstödet har ett direkt samband med rullstolens stabilitet. Det kan bli nödvändigt att justera om det främre styrhjulet, drivhjulet, ryggstödsvinkeln, ryggfällningen och/eller sittdjup före användning.
- Se till att Invacare® MatrX® MX2-ryggstödet är ordentligt säkrat på rullstolen före användning. Annars kan personskador eller materiella skador uppstå.

⚠ VARNING! Risk för allvarliga personskador eller materiella skador

Monteringsfästena som medföljer har hög hållfasthet som har testats. **ANVÄND INTE annat material.** Använd endast det MatrX MX2 originalmaterial som medföljer.

2.4 Ryggstödens storlekar/viktkapacitet:

KONFIGURERAD MODELL	BESKRIVNING	FORMDJUP	VIKTKAPACITET
IMX2bbhh	Matrx MX2-ryggstöd	3 in. (76 mm)	250 lbs/ (113 kg)

* bbhh = bredd/höjd

Tillgängliga Bredd: 14–18" (355–460 mm)

storlekar: Höjd: 6" (150 mm), 9" (230 mm), 12" (310 mm), 16" (410 mm)

Kontakta din hjälpmedelscentral eller terapeut för att få hjälp med att fastställa vilken typ/storlek på ryggstödet som passar dina behov bäst. Närmare information om alla våra MatrX-ryggstöd och alla tillgängliga modeller/storlekar finns på www.motionconcepts.com eller www.invacare.se.

3.0 MX2-RYGGSTÖD – FAST MONTERING

3.1 Sats med fasta monteringsfästen

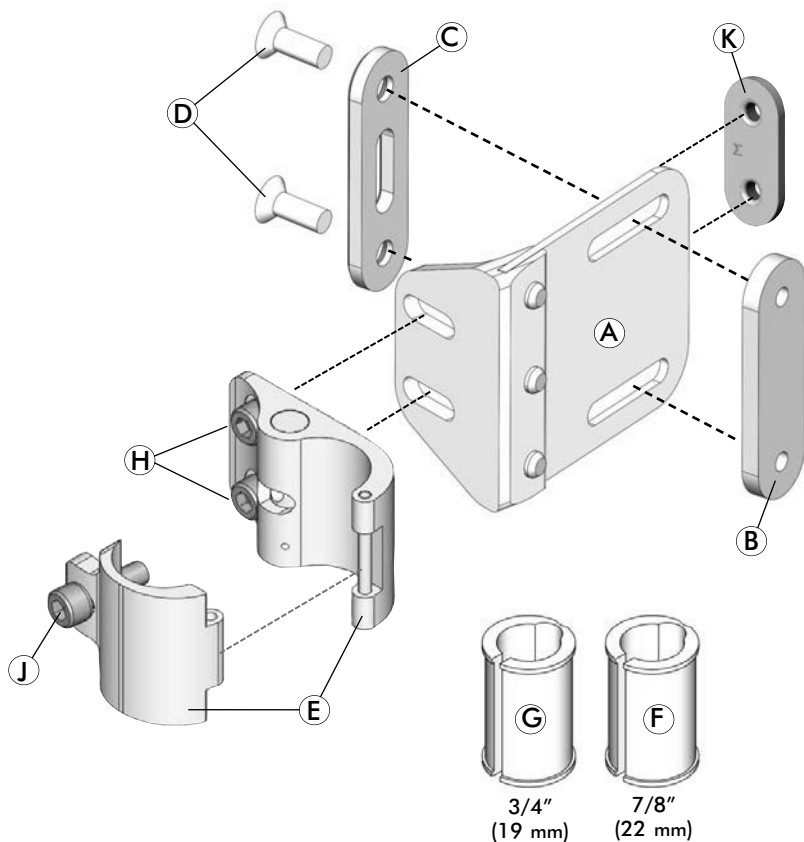
i) Monteringsfäste (installeras på MX2-bakstycket):

- | | |
|---|-----------------------------------|
| 2 – Fasta monteringsfästen (A) | 2 – Brickor till fasta fästen (C) |
| 2 – Mutterplattor till fasta fästen (B) | 4 – Skruvar till fasta fästen (D) |

ii) Montering med rörlämma (installeras på rullstolens rygggrör):

- | | |
|------------------------------------|--|
| 2 – Rörlämma (E) | 4 – Justeringskruvar för djup/ryggfällning (H) |
| 2 – Rörmellanlägg 7/8" (22 mm) (F) | 2 – Skruvar till rörlämmor (J) |
| 2 – Rörmellanlägg 3/4" (19 mm) (G) | 2 – Mutterplattor till rörlämmor (K) |

(Höger monteringsfästen visas)



3.0 MX2-RYGGSTÖD – FAST MONTERING

3.2 Verktyg som behövs

Insexnyckel (4 mm/5 mm) (medföljer)

Måttband/linjal

! OBSERVERA

Om något av de medföljande monteringsfästena saknas eller har förlorats ska du kontakta den lokala representanten för Invacare/Motion Concepts för att erhålla nödvändiga ersättningsdelar.

3.3 MX2-montering med fast monteringsfäste:

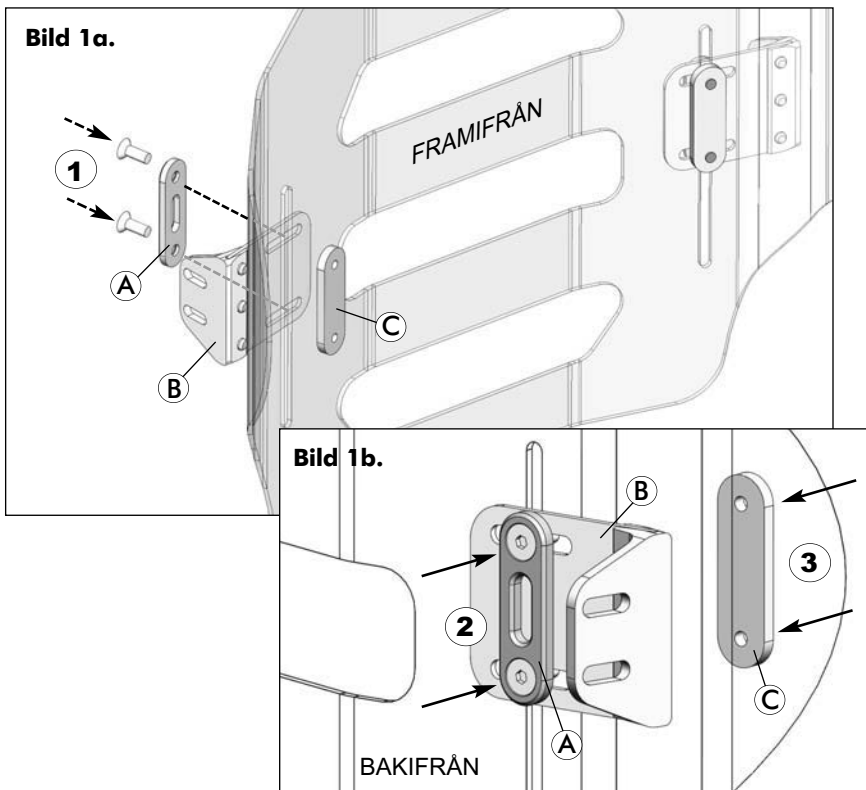
! OBS! Innan fasta monteringsfästen installeras

Ta försiktigt av eller lossa MX2-klädseln genom att lossa kardborrbanden längs övre och nedre kanten och i bakstycket.

- 1 Arbeta på bakstyckets ena sida och montera det fasta monteringsfästet på Invacare® Matrix® MX2-bakstycket enligt följande:
 - Rikta in brickan (A) med spåren i det fasta monteringsfästet (B) och för in skruvarna genom båda komponenterna (1) (se bild 1a).
 - Från bakstyckets baksida för du in de två utstickande skruvarna från monteringsfästet genom det vertikala spåret i MX2-bakstycket (2) (se bild 1b).
 - Säkra monteringsfästet i MX2-bakstycket genom att gänga i skruvarna i mutterplattan (C) framtill (invändigt) på bakstycket (3); (se bild 1b).
- 2 Montera det återstående fasta monteringsfästet på bakstyckets motsatta sida (enligt Steg 1 ovan).

3.0 MX2-RYGGSTÖD – FAST MONTERING

Monteringsfäste för fast montering



3.4 Före montering: MX2-rörklämmornas placering:

i VIKTIGT! Innan MX2-rörklämmorna monteras måste placeringen för klämmorna fastställas.

För en **standardkonfiguration** ska rörklämmorna (A) monteras på ryggrören som sitter *längst bak*. Denna konfiguration ger maximalt tillgängligt sittdjup i rullstolen – se **bild 2a**.

För en **omvänd konfiguration*** ska rörklämmorna (A) vridas 180° på ryggrören. Denna konfiguration minimerar tillgängligt sittdjup och placerar MX2-ryggstödet i en mer *framskjuten* position vid behov – se **bild 2b**.

Rörklämmorna (A) ger 1,5" (38 mm) för justering framåt eller bakåt (i förhållande till ryggröret) beroende på vald monteringskonfiguration.

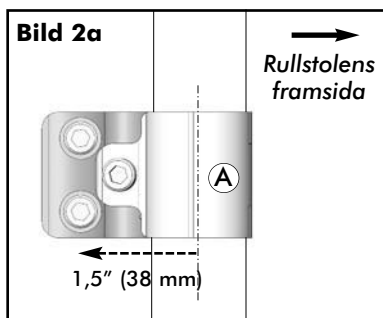
3.0 MX2-RYGGSTÖD – FAST MONTERING

3.4 Före montering: MX2-rörklämmornas placering: *forts.*

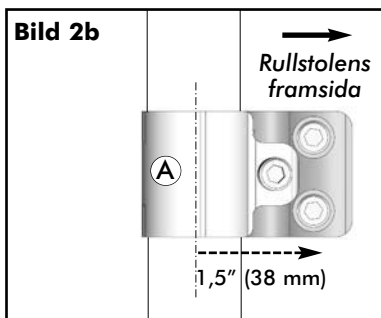
⚠ VARNING! Risk för allvarliga personskador

Vid bestämning av den slutliga monteringspositionen för Invacare® MatrX® MX2-ryggstödet ska du se till att rullstolens stabilitet inte påverkas. När ryggstödet positioneras framåt och bakåt justeras ändras användarens tyngdpunkt i rullstolen. En position långt bak kan minska rullstolens stabilitet bakåt betydligt. Likaså kan en position längre fram minska rullstolens stabilitet framåt.

MX2-rörklämmornas placering



Standardrör
Klämmans konfiguration
(maximalt sittdjup)



Omvänt rör
Klämmans konfiguration
(minimalt sittdjup)

3.5 Montering av MX2-rörklämmor:

MX2-är konstruerade för att kunna monteras på rygg rör med 1" (25 mm), 7/8" (22 mm) och 3/4" (19 mm) diameter. (Plastmellanlägg (A) medföljer för rygg rör med mindre diameter*).

- 1 Ta bort det befintliga rullstolsryggstödet (om tillämpligt).
- 2 Montera rörklämman löst (B) på vardera rygg rör med önskad placering, se bild 3 och bild 4 för en monteringsöversikt.

*Anpassning efter ryggstödsrör av olika storlekar:

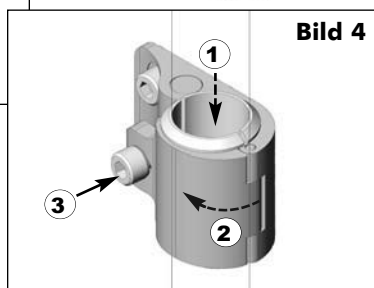
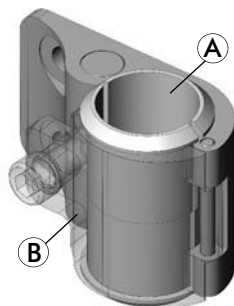
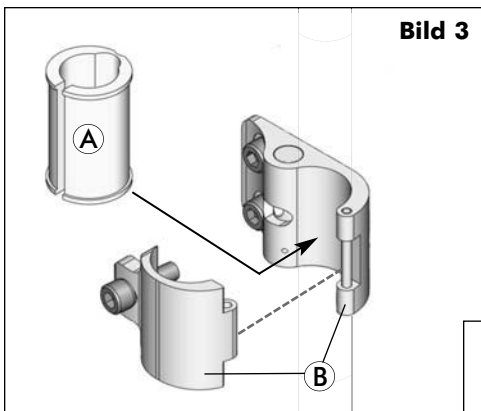
1" (25 mm) rör – inga plastmellanlägg behövs

7/8" (22 mm) rör – Montera 7/8" (22 mm) plastmellanlägg (2 st.)

3/4" (19 mm) rör – montera 3/4" (19 mm) plastmellanlägg (2 st.)

3.0 MX2-RYGGSTÖD – FAST MONTERING

Montering av MX2-rörklämmor



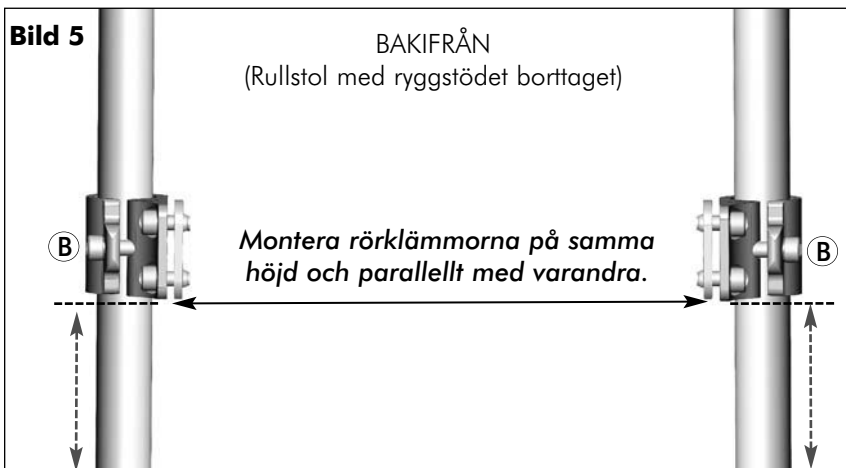
TIPS

Spreja lite glidsprej på ryggsödsröret och inuti plastmellanläggen för att skapa en glidfri kontaktyta.

- 3 Börja på ena sidan och skjut/justera rörklämmen (B) till önskad höjd/placering längs ryggröret och fäst den på plats.

Obs! Ryggstödshöjden kan justeras ytterligare efter monteringen av MX2-bakstycket på rörklämmorna (se bild 5)

Höjjustering av MX2-rörklämma



3.0 MX2-RYGGSTÖD – FAST MONTERING

3.5 Montering av MX2-rörklämmor: (forts.)

- 4 Mät från en fast punkt på rullstolen (t.ex. sittramen/stabiliseraren) höjden som den första rörklämmen har monterats på (B) och montera den andra rörklämmen (B) på samma höjd på det motsatta ryggstödsröret (se bild 5).

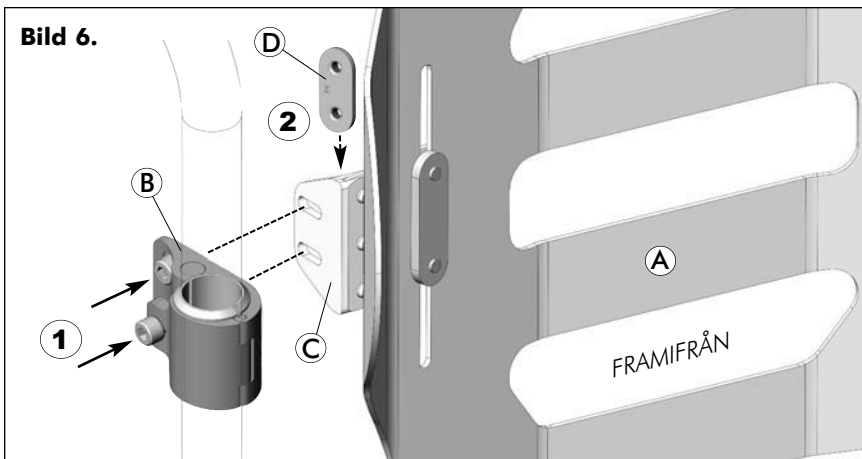
Obs! Se till att de monterade rörklämmorna är i linje parallellt med varandra.

3.6 Montera MX2-ryggstödet på fasta rörklämmor:

- 1 Arbeta på bakstyckets ena sida och montera Matrx MX2-ryggstödet (A) på rörklämmorna * (se bild 6):
 - Rikta in de två skruvarna i rörklämmans fäste (B) med motsvarande spår i det fasta MX2-monteringsfästet (C) (1).
 - Fäst rörklämmen i MX2-monteringsfästet med den gängade mutterplattan (D) medföljer (2).
 - Upprepa steg (1) och (2) för att fästa MX2-bakstycket på ryggrörets motsatta sida.

***OBS!** Innan Matrx MX2-ryggstödet monteras på rörklämmorna ska de fasta monteringsfästena lossas lite för att underlätta inriktningen och monteringen av bakstycket. Se avsnitt 3.7 (bild 8) för närmare instruktioner om bredd-/höjjustering.

Montering av MX2-ryggstöd: FASTA monteringsfästen



3.0 MX2-RYGGSTÖD – FAST MONTERING

3.7 Justering av fast monterat MX2-ryggstöd:

i VIKTIGT! De fasta MX2-monteringsfästena är utformade för montering på ryggrör som är upp till 1" (25 mm) bredare eller 1" (25 mm) smalare än ryggstödet nominella bredd. För en standardinställning ska MX2-ryggstödet monteras symmetriskt (centrerat) mellan ryggrören.

i VIKTIGT! Användaren ska sitta i rullstolen under inställningen så att optimal konfiguration för djup/höjd/vinkel ska kunna fastställas.

- 1 När MX2-bakstycket är monterat på rullstolen (rörklämmor) kan slutligt djup, höjd/bredd för MX2-ryggstödet justeras ytterligare för att passa användaren:
 - i. **Djupjustering:** Djupet för MX2-ryggstödet (i förhållande till ryggrören) älls in med två separata justeringar:

MX2 -rörklämmornas placering: (Se även **avsnitt 3.4**)
MX2-rörklämmornas placering (montering längst bak eller längst fram) positionerar bakstycket (+/- 1,5" (38 mm)) i förhållande till ryggrören (**1**). Se **bild 7a**.

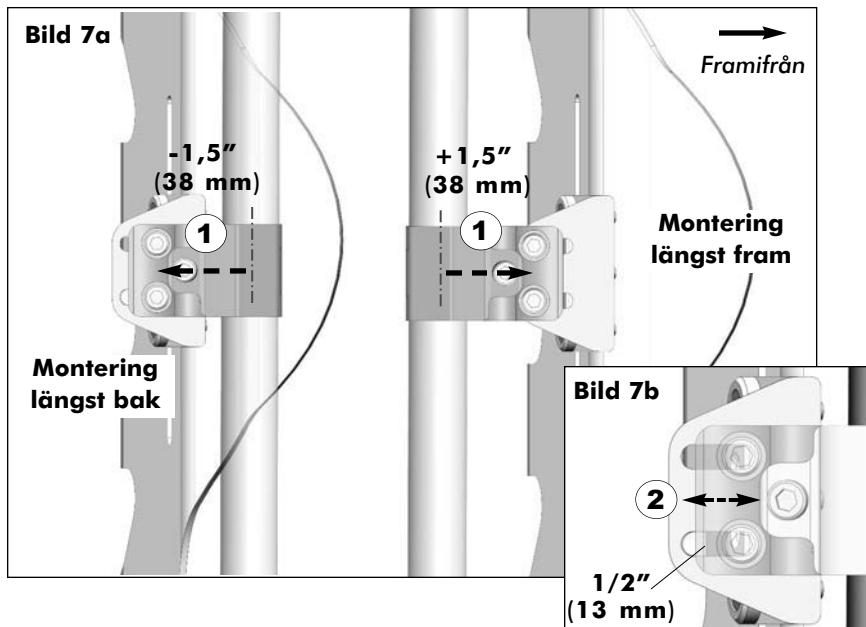
Det maximala området för djupjustering framåt och bakåt av MX2 fasta monteringsfästena = 3" (76 mm) (+/- 1,5" (38 mm)).

MX2-monteringsplattor:
Spåren i MX2-monteringsplattorna ger möjlighet till 1/2" (13 mm) djupjustering (**2**) inom det maximala justeringsområdet. Se **bild 7b**.
 - ii. **Justering av höjd/bredd:** För att passa ryggrör av olika bredd kan bredden finjusteras via de horisontella spåren i MX2-monteringsfästena (**1**). Höjden på MX2-ryggstödet (i förhållande till rörklämmorna) kan justeras med de vertikala spåren i MX2-bakstycket (**2**). Spårets längd (höjdjustering) varierar beroende på bakstyckets storlek (höjd). Se **bild 8a** och **8b**.
 - iii. **Justering av vinkeln:** Ryggstödet vinkel kan justeras $\pm 15^\circ$ genom att vrida bakstycket framåt (**1**) eller bakåt (**2**) i spåren i MX2-monteringsfästena. Se **bild 9**.
- 2 Kontrollera att rullstolens allmänna komfort, passform och inriktning av ryggstödet passar användaren. Gör ytterligare justeringar vid behov.
- 3 Sätt fast/dra åt alla monteringsfästen ordentligt så att MX2-monteringsfästena inte glider eller vrider sig ur läge.

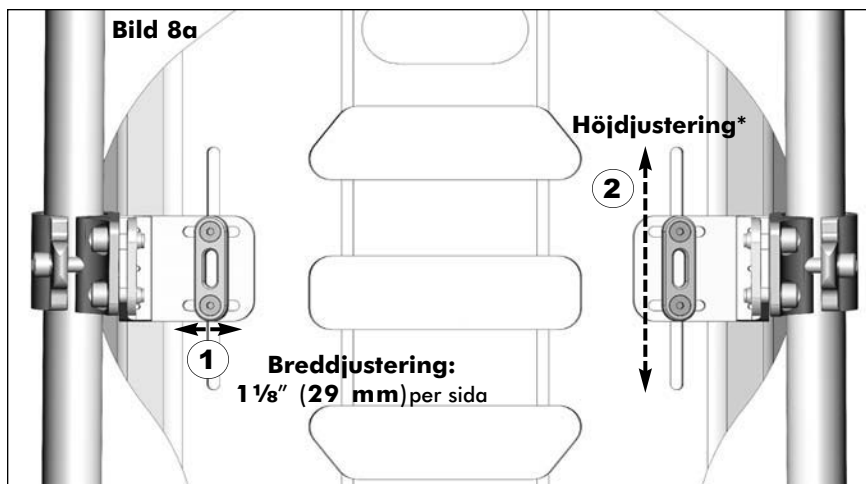
3.0 MX2-RYGGSTÖD – FAST MONTERING

- i VIKTIGT!** Såvida inte andra krav föreligger ska **alla** djup-, höjd- och vinkeljusteringar göras symmetriskt på vänster och höger monteringsplatta.

MX2 fast montering: DJUPJUSTERING



MX2 fast montering: BREDD-/HÖJDJUSTERING (i förhållande till röcklämnan)



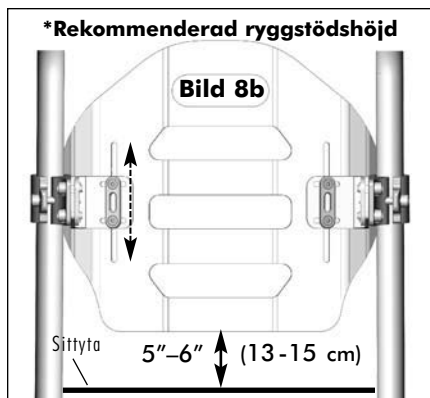
3.0 MX2-RYGGSTÖD – FAST MONTERING

***OBS!** Området för **höjdjustering** av MX2-ryggstödet varierar beroende på MX2- bakstyckets höjd (spårlängd) – se **Tabell 1.0**:

Tabell 1.0:
Justering av MX2-höjden (spåret)

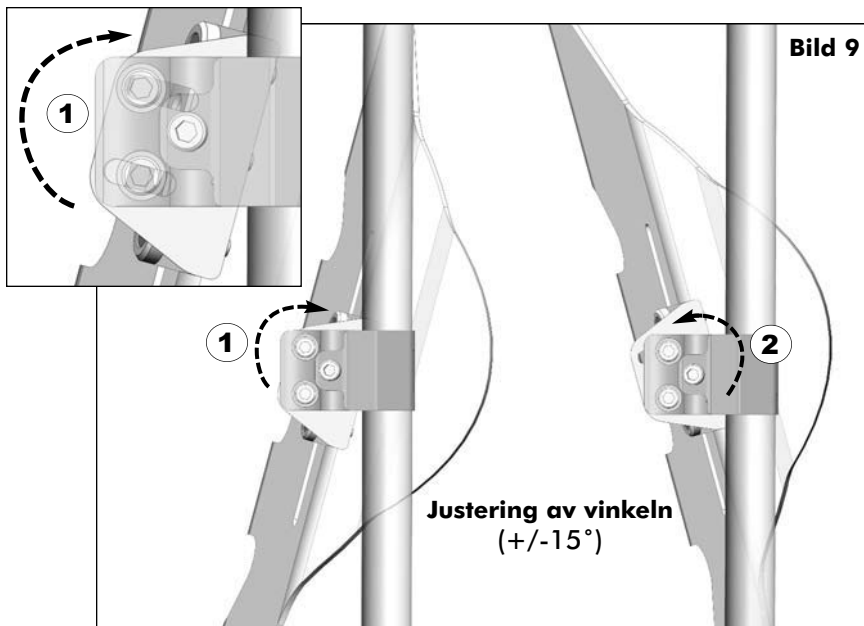
Bakstycke Höjd	Område för justering
6" (150 mm)	1/2" (13 mm)
9" (230 mm)	2" (51 mm)
12" (310 mm)	2" (51 mm)
16" (410 mm)	3,5" (89 mm)

***Obs!** Den rekommenderade MX2-ryggstödshöjden är endast en vägledning. Mindre variationer kan vara nödvändiga - se anmärkningen **Viktigt!** nedan.



i VIKTIGT! Se alltid till att ryggstödet nedre del automatiskt positioneras nedanför posteriora superiora spina iliaca (PSIS). Om du har frågor avseende rätt ryggstödshöjd kan du kontakta din leverantör och/eller vårdpersonal för att få hjälp.

MX2 fast montering: Justering av ryggstödsvinkeln

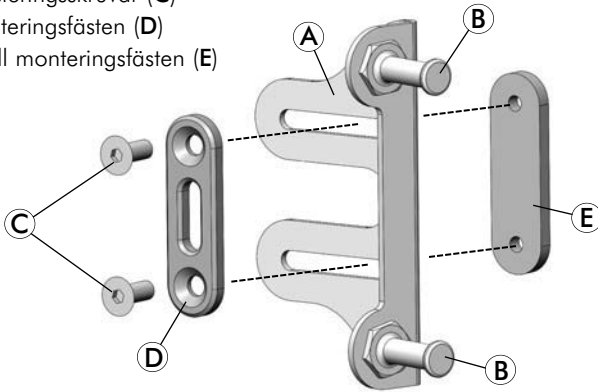


4.0 MX2-RYGGSTÖD – AVTAGBAR MONTERING

4.1 Sats med avtagbara (snabbkoppling) monteringsfästen:

i) QR monteringsfäste (installeras på MX2- bakstycket):

- 2 – MX2 QR-monteringsfästen (A)
- 4 – Snabbkopplingsprintar för montering (B)
- 4 – Höjd-/breddjusteringsskruvar (C)
- 2 – Brickor till monteringsfästen (D)
- 2 – Mutterplattor till monteringsfästen (E)

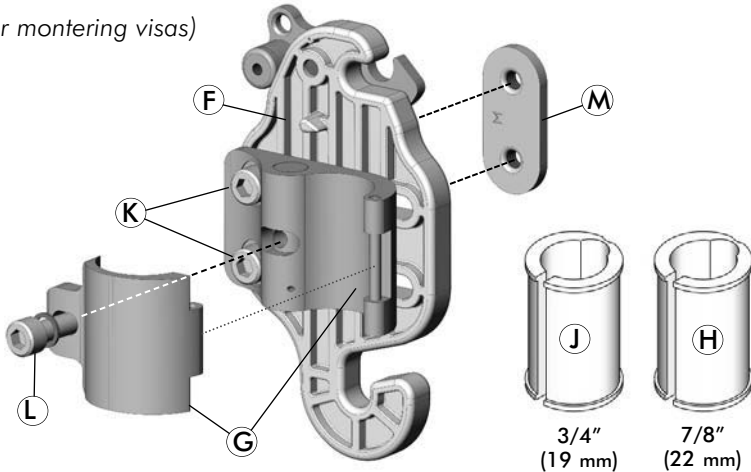


(Höger montering visas)

ii) Montering med rörlämma (installeras på rullstolens ryggrör):

- 2 – Minimonteringsplattor (F)
- 2 – Rörlämma (G)
- 2 – Rörmellanlägg 7/8" (22 mm) (H)
- 2 – Rörmellanlägg 3/4" (19 mm) (J)
- 4 – Justeringsskruvar för djup/vinkel (K)
- 2 – Skruvar till rörlämmor (L)
- 2 – Mutterplattor till rörlämmor (M)

(Höger montering visas)



4.0 MX2-RYGGSTÖD – AVTAGBAR MONTERING

4.2 Verktyg som behövs

Insexnyckel (4 mm/5 mm) (medföljer)

Måttband/linjal

! OBSERVERA

Om något av de medföljande monteringsfästena saknas eller har förlorats ska du kontakta den lokala representanten för Invacare/Motion Concepts för att erhålla nödvändiga ersättningsdelar.

4.3 MX2-montering med snabbkopplingsfästen:

i OBS! Innan snabbkopplingsfästen (QR) monteras

Ta försiktigt bort MX2-klädseln genom att lossa på kardborrbanden längs övre och nedre kanten och inuti bakstycket.

- 1 Arbeta på bakstyckets ena sida och montera snabbkopplingsfästet (A) på Matrx MX2-bakstycket enligt följande:
 - Rikta in brickan (B) med spåren i monteringsfästet (A) och för in skruvarna genom båda komponenterna (1), (se bild 1a (s. 18)).
 - Från bakstyckets baksida för du in de två utstickande skruvarna från monteringsfästet genom det vertikala spåret i MX2-bakstycket (2) (se bild 1b).
 - Säkra monteringsfästet i MX2-bakstycket genom att gänga i skruvarna i mutterplattan (D) framtill (invändigt) på bakstycket (3); (se bild 1b).
- 2 Montera det återstående snabbkopplingsfästet (A) på bakstyckets motsatta sida (enligt Steg 1 ovan).

4.0 MX2-RYGGSTÖD – AVTAGBAR MONTERING

Montering med snabbkopplingsfästen

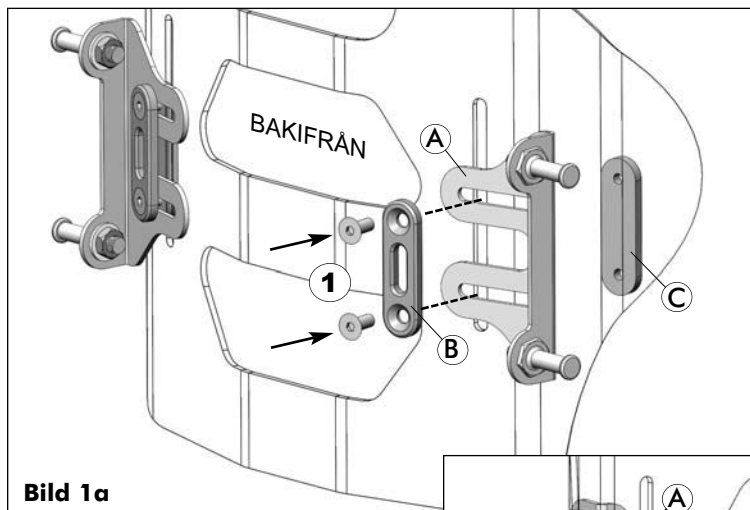


Bild 1a



TIPS

Snabbkopplingsfästena kan monteras löst på MX2-bakstycket för att underlätta inpassning av fästet (bredd/höjd) under monteringen på MX2-monteringsplattorna.

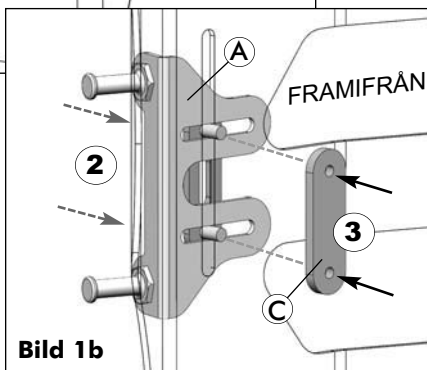


Bild 1b

4.4 Före montering: MX2-rörklämmornas placering

VIKTIGT! Innan MX2-rörklämmorna monteras måste placeringen för klämmorna fastställas.

VARNING! Risk för allvarliga personskador

Vid bestämning av den slutliga monteringspositionen för Invacare® MatrX® MX2-ryggstödet ska du se till att rullstolens stabilitet inte påverkas. När ryggstödet positioneras framåt och bakåt justeras ändras användarens tyngdpunkt i rullstolen. En position långt bak kan minska rullstolens stabilitet bakåt betydligt. Likaså kan en position längre fram minska rullstolens stabilitet framåt.

4.0 MX2-RYGGSTÖD – AVTAGBAR MONTERING

För en **standardkonfiguration** ska MX2-rörklämmorna (A) och monteringsplattorna (B) monteras på ryggrören som sitter *längst bak*. Denna konfiguration ger maximalt tillgängligt sittdjup i rullstolen – se **bild 2**.

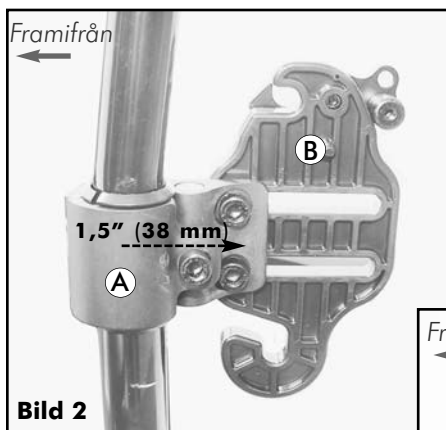
För en **omvänd konfiguration*** ska rörklämmorna (A) vridas 180° på ryggrören. Denna konfiguration minimerar tillgängligt sittdjup och placerar MX2-ryggstödet i en mer *framskjuten* position vid behov – se **bild 3**.

Rörklämmorna (A) ger **1,5" (38 mm)** för justering framåt eller bakåt (i förhållande till ryggröret) beroende på vald monteringskonfiguration.

Obs! Se **avsnitt 4.8** för närmare instruktioner om justeringar av djup vid löstagbar MX2-montering.

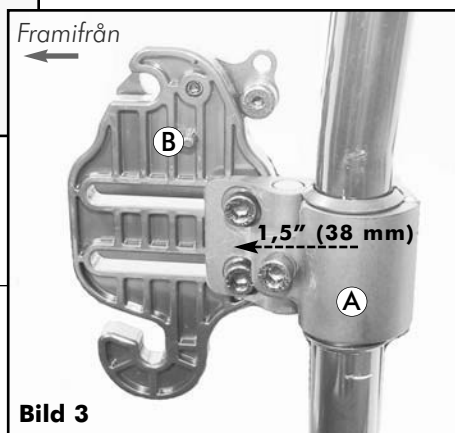
***Gör så här för att vända om monteringsplattan/rörklämman för placering av ryggstödet så långt fram som möjligt:**

- 1 Lossa monteringsplattan (B) från rörklämman (A) (2 skruvar).
- 2 Vrid rörklämman (A) 180° och sätt sedan tillbaka monteringsplattan (B) i samma riktning (se **bild 3**).



**Standardrör
Klämmans konfiguration**
(maximalt sittdjup)

**Omvänt rör
Klämmans konfiguration**
(minimalt sittdjup)



4.0 MX2-RYGGSTÖD – AVTAGBAR MONTERING

4.5 Montering av MX2-rörklämma/monteringsplatta:

MX2-rörklämmorna är konstruerade för att kunna monteras på ryggrör med 1" (25 mm), 7/8" (22 mm) och 3/4" (19 mm) diameter. (Plastmellanlägg (A) medföljer för ryggrör med mindre diameter*).

- 1 Ta bort det befintliga rullstolsryggstödet (om tillämpligt).
- 2 Montera rörklämman löst (B) på vardera ryggrör med önskad konfiguration – se bild 4 och bild 5 för en monteringsöversikt.

*Anpassning efter ryggstödsrör av olika storlekar:

1" (25 mm) rör – inga plastmellanlägg behövs

7/8" (22 mm) rör – Montera 7/8" (22 mm) plastmellanlägg (2 st.)

3/4" (19 mm) rör – montera 3/4" (19 mm) plastmellanlägg (2 st.)

Montering av MX2-rörklämmor

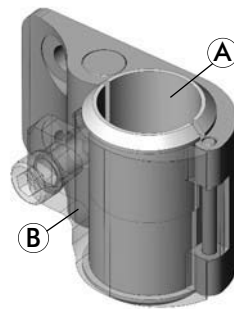
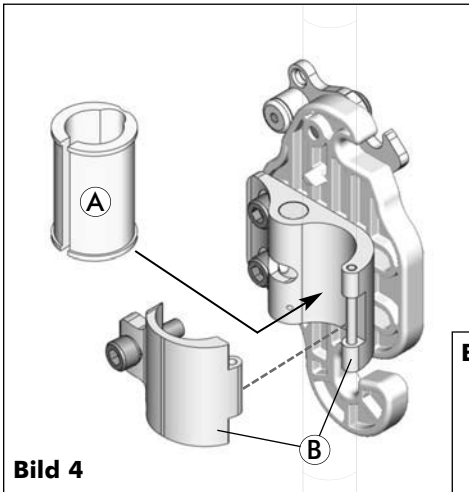
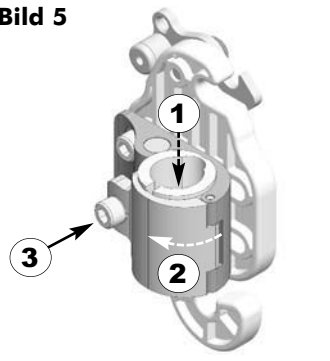


Bild 5



TIPS

Spreja lite glidsprej på ryggstödsröret och inuti plastmellanläggen för att skapa en glidfri kontaktyta.

4.0 MX2-RYGGSTÖD – AVTAGBAR MONTERING

- 3 Börja på ena sidan och skjut/justera rörklämman (B) till önskad höjd/placering längs rygröret och fäst den på plats.

Obs! Ryggstödshöjden kan justeras ytterligare efter monteringen av MX2-bakstycket på monteringsplattorna.

- 4 Mät från en fast punkt på rullstolen (t.ex. sittramen/stabiliseraren) höjden som den första rörklämman har monterats på och montera den andra rörklämman på samma höjd på det motsatta ryggstödsröret – se **bild 6** nedan.

Obs! Se till att monterade rörklämmor/monteringsplattor sitter parallellt med varandra.

Höjjustering av MX2-rörklämma/monteringsplatta



4.6 Montera MX2-ryggstödet på snabbkopplingsfäste

⚠ VARNING! Om stiftet monteras fel kan det orsaka skada på bakstycket och/eller monteringsplattorna. Se till att det finns tillräckligt mellanrum mellan monteringsplattan och monteringsstiftets huvud (ett minsta mellanrum på 1/8" (3 mm) rekommenderas).

⚠ VARNING! Använd ALDRIG Loctite på monteringsmaterial, eftersom icke-metalliska komponenter kan försvagas och bli sköra (brytas) om de kontamineras.

📌 VIKTIGT! Såvida inte andra behov föreligger ska **alltid** justeringar göras **symmetriskt** på vänster och höger monteringsplatta.

4.0 MX2-RYGGSTÖD – AVTAGBAR MONTERING

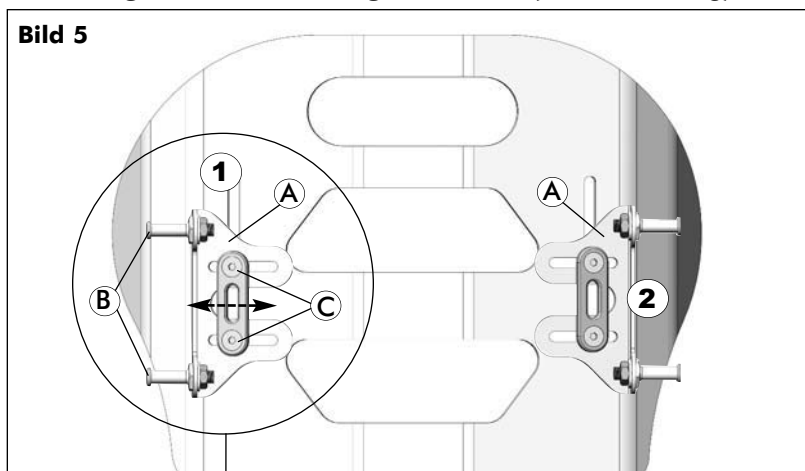
! **VIKTIGT!** Observera att om QR-monteringsfästena (A) lossas justeras samtidigt MX2-ryggstödet **bredd och höjd**. Läs igenom **alla instruktioner** innan monteringen påbörjas. Vid montering rekommenderas att monteringsfästena justeras ett i taget.

! OBSERVERA

Varje snabbkopplingsfäste (A) har monteringsstift (B) förmonterade, och har justerbara spår för så att MX2-ryggstödet kan monteras på ryggrör som är upp till 1" (25 mm) **bredare eller 1" (25 mm) smalare** än ryggstödets nominella bredd.

- 1 Innan Invacare® Matrix® MX2-ryggstödet monteras: (se bild 5)
 - i. Arbeta endast på ena sidan och lossa monteringsfästets bricka (C) en aning så att QR-monteringsfästet (A) och monteringsstiften (B) kan justeras inåt eller utåt (1) (vid behov) så att det riktas in efter rörklämmans monteringsplattor – se **Steg 2 (bild 6a/6b)**.
 - ii. Det andra (motsatta) QR-monteringsfästet ska sitta fast i MX2-bakstycket (2).

Inriktning av QR-monteringsstift/fäste (före montering)



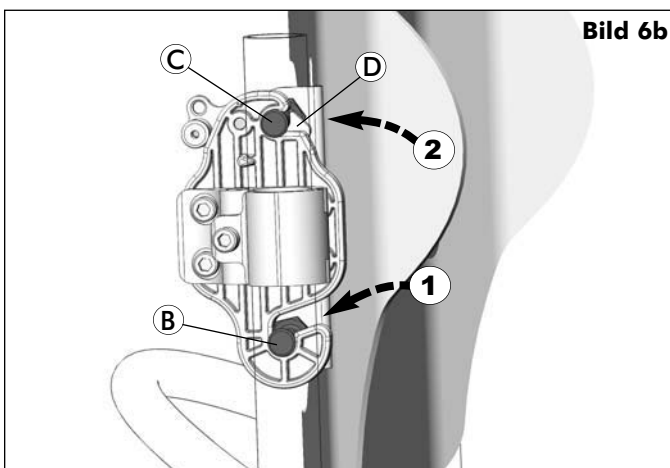
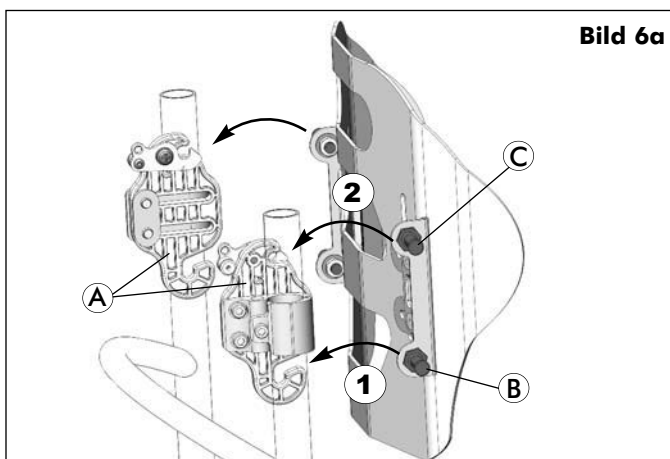
Lossa monteringsfästet
(endast på ena sidan)

4.0 MX2-RYGGSTÖD – AVTAGBAR MONTERING

- 2 Montera MX2-ryggstödet på monteringsplattorna (A) enligt följande: (Se bild 6a och 6b)
 - i. Rikta in och skjut in de nedre monteringsstiften (B) i de böjda spåren längst ned på vardera monteringsplatta (1).
 - ii. När de nedre stiften är på plats ska du låsa/knäppa fast de övre monteringsstiften (C) i låsmekanismen (D) längst upp på vardera monteringsplatta (2).

⚠ VARNING! Se alltid till när MX2-ryggstödet monteras att båda låsmekanismerna (D) är helt låsta kring de övre monteringsstiften.

Montering av MX2-ryggstöd på monteringsplattor



4.0 MX2-RYGGSTÖD – AVTAGBAR MONTERING

4.7 MX2-ryggstöd: Justering av bredd och höjd

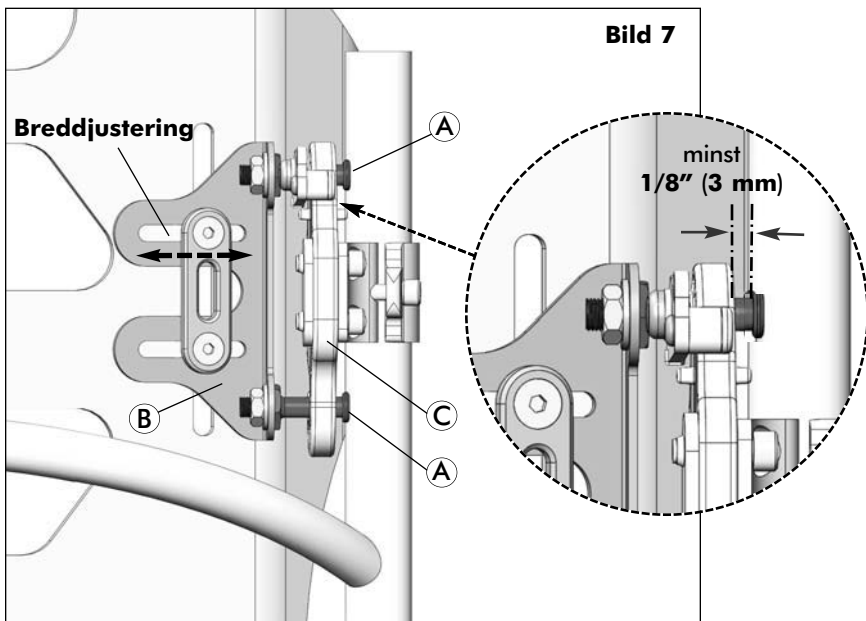
i VIKTIGT! Observera att **bredd och höjd** justeras samtidigt på MX2-ryggstödet. Vid montering rekommenderas att fästen justeras ett i taget och att det bara dras åt tillräckligt för att förhindra glidning efter varje justering. Monteringsfästen kan dras åt helt när montering och inställning är slutförd.

- 1 **Justering av monteringsstiftets bredd:** Haka fast MX2-ryggstödet i monteringsplattorna och justera monteringsstiftets (A) bredd på vardera monteringsfäste (B) så att det finns ett **mellanrum på 1/8" (3 mm)** mellan monteringsstiftets huvud och monteringsplattans utsida (C)*. (Se bild 7).

***OBS!** För en standardmontering av MX2-ryggstödet ska bakstycket sitta centrerat mellan ryggrören efter en breddjustering. (Monteringsfästena ska justeras symmetriskt på bakstycket).

- 2 Dra bara åt båda monteringsfästena tillräckligt för att förhindra glidning.

MX2-montering: Inställning/justering av monteringsstiftets bredd

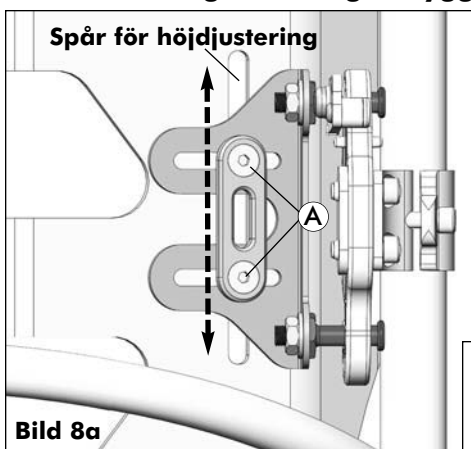


4.0 MX2-RYGGSTÖD – AVTAGBAR MONTERING

- MX2-höjjustering:** MX2-ryggstödetets höjd kan justeras efter behov genom spåret i MX2-bakstycket (se **bild 8a**). Den rekommenderade ryggstödshöjden* är omkring **5"–6" (13–15 cm)** från den högsta delen av **sittytan** (sittdyna eller sittplatta, se **bild 8b**).
- Arbeta på en sida i taget och lossa monteringsfästet (**A**) och skjut MX2-bakstycket uppåt/nedåt till önskad ryggstödshöjd. **OBS!** Området för **höjjustering av MX2-ryggstödet** varierar beroende på MX2-bakstyckets höjd (spårlängd) – se **Tabell 1.0**:
- Dra åt monteringsfästets platta (**A**) så att MX2-ryggstödet sitter säker på plats, och se till att bibehålla rätt bredd/position för monteringsstiftet (enligt **bild 7**). Upprepa samma höjjustering på den motsatta monteringsplattan.
- När alla bredd- och höjjusteringar är gjorda ska **alla** fästen dras åt ordentligt.

**Obs! Den rekommenderade MX2-ryggstödshöjden är endast en vägledning. Mindre variationer kan vara nödvändiga – se anmärkningen Viktigt! nedan.*

MX2-montering: Justering av ryggstödshöjden

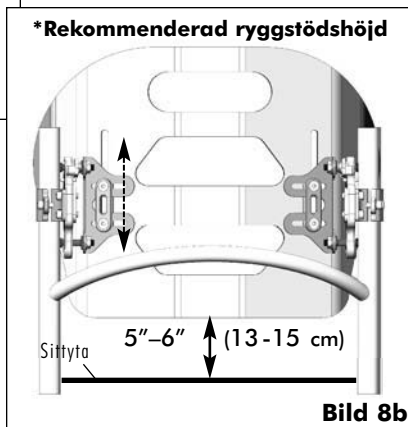


Tabell 1.0:
Justering av MX2-höjden (spåret)

Bakstycke Höjd	Justeringsområde
6" (150 mm)	1/2" (13 mm)
9" (230 mm)	2" (51 mm)
12" (310 mm)	2" (51 mm)
16" (410 mm)	3,5" (89 mm)

i VIKTIGT!

Se alltid till att ryggstödet nedersta del automatiskt positioneras nedanför posteriora superiora spina iliaca (PSIS). Om du har frågor avseende rätt ryggstödshöjd kan du kontakta din leverantör och/eller vårdpersonal för att få hjälp.



4.0 MX2-RYGGSTÖD – AVTAGBAR MONTERING

4.8 MX2-ryggstöd: Vinkel- och djupjustering

i VIKTIGT! Observera att vinkel- och djupjusteringar också görs samtidigt på MX2-ryggstödet. Dessa två justeringar underlättas om justeringsfästet på båda klämmorna lossas först. (**Obs!** För en standardmontering ska djup och vinkel justeras symmetriskt på båda monteringsplattorna).

- 1 **MX2-vinkeljustering:** Vid behov kan MX2-ryggstödet vinkel justeras med de två skruvarna för justering av djup/vinkel (A) på monteringsklämmorna (B) (se bild 9a).
- 2 Lossa djup-/vinkeljusteringskruvarna (x2) på vardera klämman och vrid monteringsplattan (C) framåt eller bakåt till önskad ryggstödvinkel (vinkeljusteringsområdet = $\pm 15^\circ$, se bild 9b).

MX2-montering: Justering av ryggstödvinkel

Bild 9a

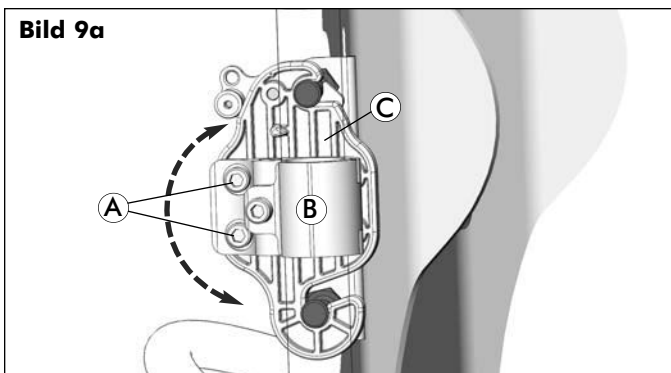
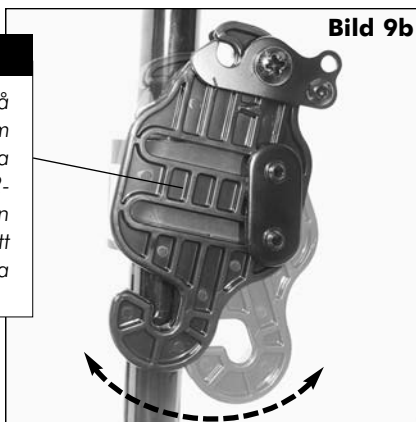


Bild 9b



Vinkeljustering ($\pm 15^\circ$)

! OBSERVERA

De gjutna vertikala linjerna på monteringsplattorna är utformade som referenspunkter för att underlätta symmetriska justeringar. När MX2-ryggstödet vinkel justeras kan de vertikala linjerna användas till att ställa in samma vinkel på båda monteringsplattorna.

4.0 MX2-RYGGSTÖD – AVTAGBAR MONTERING

- 3 **MX2-djupjustering:** Djupet för MX2-ryggstödet ställs in med två separata justeringar:

MX2 -rörklämmornas placering: (se även *avsnitt 4.4*)

MX2-rörklämmorna (B) kan monteras med standardplacering (bakåt) eller omvänt (framåt) för kortare sittedjup (se **bild 10**).

Vid **montering längst bak (1)**, är ryggstödet djup **-1,75" (44 mm)**.

Vid **montering längst fram (2)** är ryggstödet djup **+2,25" (57 mm)**.

(**Obs!** Måtten gäller i förhållande till ryggrören och är uppmätta till monteringsstiftets placering).

Det maximala orådet för djupjustering framåt och bakåt (från montering längst bak till montering längst fram) = **4,25" (108 mm)**.

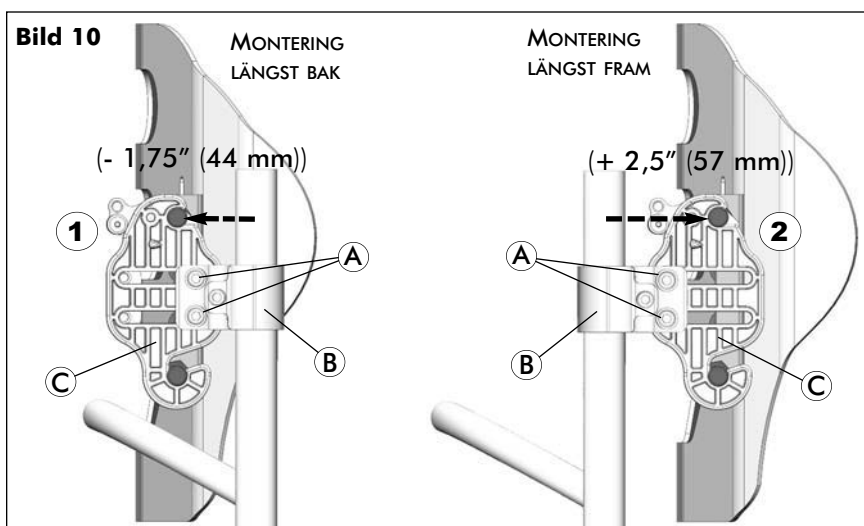
Djupjustering av MX2-monteringsplattor*:

Spåren i MX2-monteringsplattorna (C) ger möjlighet till djupjustering med upp till **1,75" (44 mm)** inom det maximala justeringsområdet (se **bild 11** (s. 28)).

***OBS!** Monteringsplattans tillgängliga djupjusteringsområde är mer begränsat när MX2-ryggstödet vinkel ändras.

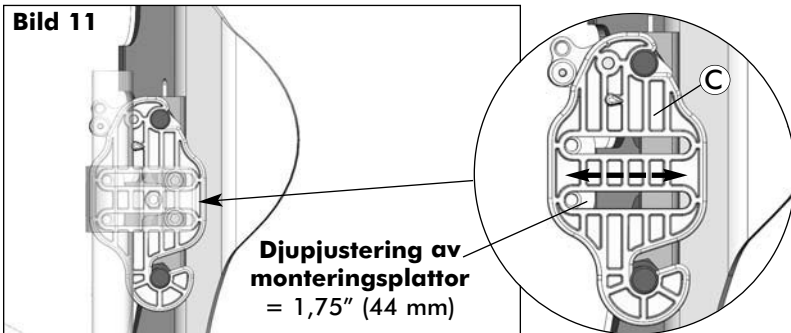
- 4 Justera genom att lossa de två justeringskruvarna (A) på vardera rörklämman och skjut monteringsplattorna (C) framåt eller bakåt till önskat ryggstödsdjup.
- 5 När alla vinkel- och djupjusteringar är gjorda ska **alla** fästen dras åt ordentligt.

MX2-montering: Justering av ryggstödet djup



4.0 MX2-RYGGSTÖD – AVTAGBAR MONTERING

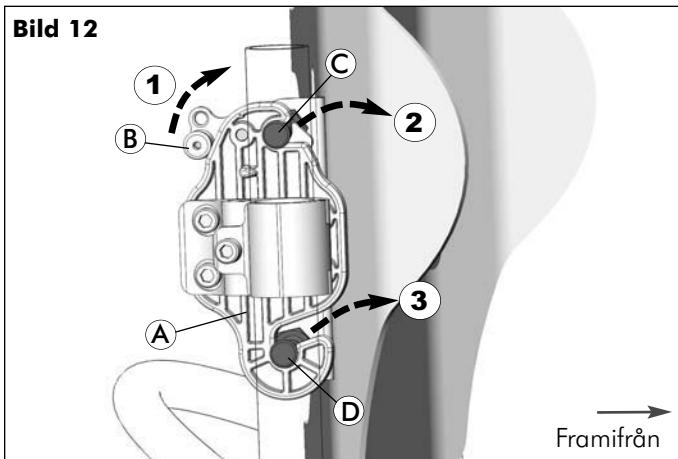
MX2-montering: Justering av ryggstödet djup



4.9 Ta bort MX2-ryggstödet från QR-fästet

- 1 Ta bort/lossa MX2-ryggstödet från monteringsplattorna (A) enligt följande (se bild 12 nedan):
 - i. Stå bakom rullstolen och lyft **samtidigt** upp låsmekanismen (B) på båda monteringsplattorna (1).
 - ii. Se till att hakarna är öppna och skjut den övre delen av MX2-ryggstödet framåt (2) så att de övre monteringsstiften lossar (C) från monteringsplattorna (A).
 - iii. När stiften är lossade lyfter du MX2-ryggstödet uppåt och framåt (3) för att lossa de nedre monteringsstiften (D) från monteringsplattorna.

Ta bort/lossa MX2-ryggstödet



5.0 SKÖTSEL OCH UNDERHÅLL

5.1 Skötsel och tvätt:

i VIKTIGT! Alla rengöringsmedel och desinfektionsmedel som används måste vara effektiva, kompatibla med varandra och måste skydda de material som de är avsedda att rengöra.

! FÖRSIKTIGT! Risk för skada på produkten

Använd **INTE** rengöringsmedel som innehåller blekmedel, fenoler eller starka alkohollösningar.

Allmän skötsel och rengöring:

Klädseln kan vid behov lätt torkas av med en fuktig trasa.

Tvättanvisningar (ytterklädsel):

1. Ta försiktigt bort klädseln genom att lossa på kardborrbanden längst övre och nedre kanten och i bakstycket.

OBS! Före tvätt måste den inre skumdynan tas bort.

2. Tvätta i maskin i 60 °C med ett program för fintvätt (se instruktioner på lappen).

i VIKTIGT! Vid högre tvättemperatur kan klädseln krympa.

3. Häng upp klädseln och låt den dropporka i ren miljö inomhus.
eller

Torktumla på låg värme.

i VIKTIGT!

– Torktumlarens temperatur får inte överstiga 40 °C.

– Torktumla inte längre än 10 minuter.

– Torka klädseln ordentligt innan den sätts tillbaka på skumdynan.

– Får inte strykas.

– Får inte kemtvättas.

5.2 Underhåll och regelbunden kontroll:

Varje månad: Inspektera visuellt metalldelar, byglar, stoppningsmaterial, klädsel skumdynor och plastdelar och se om de är deformerade, rostiga, trasiga, slitna eller hoptryckta.

! VARNING! Risk för personskador eller materiella skador

Inspektera ALLA fästen varje vecka för att se till att mekaniska kopplingar och tillbehör sitter säkert.

FORTSÄTT INTE använda produkten om problem upptäcks. Korrigerande åtgärder kan utföras hos eller arrangeras via din utrustningsleverantör.

6.0 TILLVAL TILL MX2

6.1 Montering/justering av ländryggsstödet (tillval)

! OBSERVERA

Ländryggsstödet är ett förmonterat skumlägg som ger stöd för ländryggen. Ländryggsstödet position kan justeras inuti Invacare® Matrx® MX2-klädseln (se *anvisningarna nedan*) eller så kan det avlägsnas om inget ländryggsstöd önskas.

1. Öppna kardborrbanden på ytterklädseln A längst ned på bakstyckets baksida för att komma åt ländryggsstödet.
2. Ländryggsstödet i skumplast B sitter innanför Invacare® Matrx® MX2-klädseln mellan ryggstödets skumdyna och bakstycket D.
3. Ländryggsstödet kan justeras till önskad höjd/läge.
4. Fäst klädseln igen (med kardborrbanden) på bakstycket.

Ländryggsstöd



***OBS!** Ländryggsstödet av skum kan skäras till/ anpassas så att det passar användaren.



6.0 TILLVAL TILL MX2

6.2 Integritetsskydd (tillval – säljs separat)

Integritetsskydd finns (säljs separat) för användning med samtliga MX2-ryggstöd av standardstorlek. Samtliga ryggstöd av standardstorlek har ett kardborrband längs dynklädselns nedre bakdel som integritetsskyddet ska fästas på.

Se diagrammet för korrekt storlek på integritetsskydd för MX2-ryggstödet:

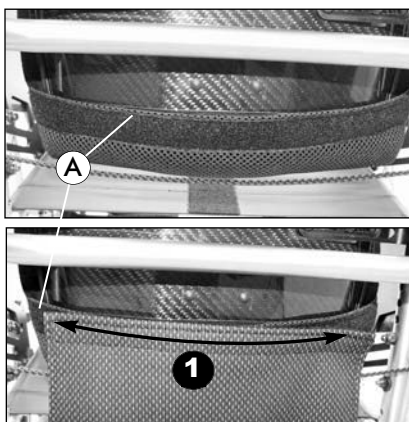
BREDD	INTEGRITETSSKYDD
14 in (36 cm)	PFLAP-XS 10" × 16" (26 cm × 41 cm)
15 in (38 cm)	PFLAP-S 13" × 16" (33 cm × 41 cm)
16 in (41 cm)	PFLAP-M 15" × 16" (38 cm × 41 cm)
17 in (43 cm)	
18 in (46 cm)	



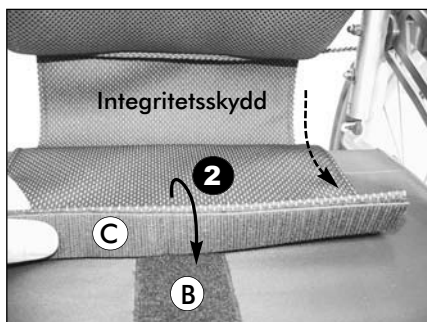
Monteringsanvisningar:

1. Ta bort rullstolens sittdyna.
2. Se till att ryggstödet justerats till önskad längd. (Se **avsnitt 4.0, bild 8.**)
3. Stå bakom rullstolen (vänd framåt) och fäst integritetsskyddet med kardborrbandet som sitter nedtill på MX2-ryggstödet baksida (**A**). (se Steg **1** nedan).
4. Dra den motsatta (lösa) änden av integritetsskyddet genom hålet mellan bakstyckets nederdel och rullstolens sits.
5. Fäst integritetsskyddets kardborrband i kardborrbandet* (**B**) på rullstolens slingsits eller sittplatta. (se Steg **2** nedan).

***OBS!** Om rullstolens sits har ett matchande kardborrband kan integritetsskyddet fästas med det förlängda kardborrbandet (**C**) som medföljer.



BAKIFRÅN



FRAMIFRÅN

matrix[®]
SEATING SERIES



Matrix MX2 -selkänoja

KIINTEÄSTI ASENNETTUUN laitteistoon
ja IRROTETTAVAAN laitteistoon

ASENNUS/SÄÄTÄMINEN

i TÄRKEÄÄ! Tässä oppaassa mainitut asennustoimet saa suorittaa vain koulutettu asentaja.

JAKELIJA: Tämä opas ON ANNETTAVA tuotteen käyttäjille.

KÄYTTÄJÄ: Ennen tuotteen käyttämistä lue tämä opas ja säästä se tulevaa käyttöä varten.



TRD0439 Versio B

TAKUU

HUOMAA: SEURAAVA TAKUU ON LAADITTU 4.7.1975 JÄLKEEN VALMISTETTUIHIN TUOTTEISIIN SOVELLETTAVAN LIITTOVALTION LAIN MUKAISESTI.

Tämä takuu koskee vain tuotteidemme alkuperäistä ostajaa/käyttäjää. Takuu antaa ostajalle erityiset lainmukaiset oikeudet, minkä lisäksi ostajalla voi olla muita lainmukaisia oikeuksia, jotka vaihtelevat osavaltioittain. Invacare / Motion Concepts takaa, että tuotteessa ei ole materiaali- tai valmistusvikoja kahden vuoden ajan siitä, kun alkuperäinen ostaja on ostanut tuotteen. Tämä takuu ei koske pistoreikiä, repeytymisiä tai palamista, eikä irrotettavaa pehmustusuoja. Jos takuun kattama tuote takuuajan aikana osoitetaan vialliseksi, tuote Invacaren / Motion Conceptsin valinnan mukaan vaihdetaan tai korjataan käytetyillä tai uusilla osilla. Takuu ei sisällä työtä tai toimitusmaksuja, jotka johtuvat varaosien asentamisesta tai kyseisten tuotteiden korjaamisesta. Tuotekorjaukset eivät jatka takuuta – korjatun tuotteen takuu päättyy tämän rajoitetun takuun päättyessä. Invacaren / Motion Conceptsin ainoa velvoite ja ostajan ainoa korvausvaatimus tämän takuun nojalla rajoittuu kyseiseen korjaukseen ja/tai vaihtoon. Ota takuupalvelun osalta yhteyttä jakelijaan, jolta ostit Invacare- / Motion Concepts - tuotteesi. Jos et saa tyydyttävää takuuhuoltoa, kirjoita suoraan Invacarelle / Motion Conceptsille takasivulla olevaan osoitteeseen. Anna jakelijan nimi, osoite, mallinnumero, ostopäivä ja kerro viasta, ja jos tuote on sarjanumeroitu, anna sarjanumero.

Invacare Corporation / Motion Concepts myöntää palautusluvan. Viallinen laite tai vialliset osat on palautettava takuutarkastukseen käyttämällä soveltuvin osin sarjanumeroa tunnistena kolmenkymmenen (30) päivän kuluessa palautusluvan päivämäärästä.

ÄLÄ palauta tuotteita tehtaaseen ilman etukäteen antamaamme lupaa. Toimituksen yhteydessä maksettavia toimituksia (COD) ei oteta vastaan. Toimitusmaksut on maksettava etukäteen.

RAJOITUKSET JA KIELLOT: TAKUUTA EI SOVELLETA ONGELMIIN, JOTKA JOHTUVAT NORMAALISTA KULUMISESTA TAI TUOTTEEN MUKANA TOIMITETTUIEN OHJEIDEN NOUDATTAMATTA JÄTTÄMISESTÄ. EDELLÄ MAINITTUA TAKUUTA EI MYÖSKÄÄN SOVELLETA SARJANUMEROITUIHIN TUOTTEISIIN, JOS SARJANUMERO ON POISTETTU TAI KULUNUT; TUOTTEISIIN, JOITA ON LAIMINLYÖTY, JOILLE ON TAPAHTUNUT ONNETTOMUUS, JOITA EI KÄYTETÄ, HUOLLETA TAI VARASTOIDA ASIANMUKAISESTI; TAI TUOTTEISIIN, JOITA ON MUUTETTU ILMAN INVACAREN / MOTION CONCEPTSIN NIMENOMAISTA KIRJALLISTA LUPAA, MUUN MUASSA MUUTOKSET LUVATTOMIA OSIA TAI LIITOKSIA KÄYTTÄMÄLLÄ: TUOTTEISIIN, JOTKA OVAT VAHINGOITTUNEET KORJAUKSISSA, JOTKA ON TEHTY ILMAN INVACAREN / MOTION CONCEPTSIN NIMENOMAISTA SUOSTUMUSTA; TUOTTEISIIN, JOTKA OVAT VAHINGOITTUNEET INVACAREN / MOTION CONCEPTSIN VALVONNAN ULKOPUOLELLA OLEVISSA OLOISSA; TUOTTEISIIN, JOITA ON KORJANNUT JOKI MUU KUIN INVACAREN / MOTION CONCEPTSIN JAKELIJA; KYSEISEN ARVIOINNIIN TEKEE YKSINOMAAN INVACARE / MOTION CONCEPTS.

EDELLÄ MAINITTU TAKUU ON YKSINOMAINEN JA KORVAA KAIKKI MUUT NIMENOMAISET TAKUUT, MUKAAN LUKIEN KAUPALLISUUTTA JA TIETTYYN KÄYTTÖTARKOITUKSEEN SOPIVUUTTA KOSKEVAT HILJAISET TAKUUT. TAKUUN SOVELTAMISTA EI JATKETA TÄSSÄ ESITETYN NIMENOMAISEN TAKUUN KESTOA PIDEMMÄLLE JA AINOA KORVAUS TAKUUN RIKKOMISESTA RAJOITETAAN VIALLISEN TUOTTEEN KORJAAMISEEN TAI VAIHTAMISEEN TÄSSÄ ESITETTYJEN EHTOJEN MUKAAN. INVACARE / MOTION CONCEPTS EI VASTAA TUOTTAMUKSELLISISTA TAI TAHATTOMISTA VAHINGOISTA. TAKUUTA JATKETAAN SITEN, ETTÄ SE VASTAA OSAVALTION/PROVINSSIN LAKEJA JA VAATIMUKSIA.

Tätä käyttöopasta ei saa kopioida eikä tulostaa uudelleen osittain tai kokonaan ilman Motion Conceptsin tai sen lakisääteisten edustajien etukäteen antamaan kirjallista suostumusta.


Tämä käyttöopas perustuu uusimpiin julkaisuohjeilla saatavilla oleviin teknisiin tietoihin ja tuotetietoihin. Oikeus tarvittaessa tehtäviin muutoksiin pidätetään. Tuotteisiin mahdollisesti tekemiemme muutosten vuoksi tämän oppaan sisältämät kuvat ja selitykset eivät ehkä täsmälleen vastaa ostamaasi tuotetta. Jos sinulla on kysyttävää tai ongelmia tässä oppaassa käsitellyistä aiheista, ota yhteyttä asiakaspalveluostoomme.


Sisällys

- 1.0 Yleiset varoitukset
- 2.0 Turvallisuustiedot
- 3.0 MX2:n asennus ja säätö – **kiinteä asennus**
- 4.0 MX2:n asennus ja säätö – **irrotettava asennus**
- 5.0 Ylläpito- ja huolto-ohjeet
- 6.0 MX2 -vaihtoehdot


TURVASYMBOLIT:

Invacare Matrix MX2 -selkänöjan oikeat asetukset ja käyttö ovat kiinni omasta harkintakyvystäsi ja arkijärjestä sekä tavarantoimittajan, huolehtijan ja/tai terveydenhoitoalan ammattilaisen harkinnasta. Seuraavia symboleita käytetään koko käyttöoppaassa varoitusten, huomautusten ja tärkeiden ohjeiden tunnistamiseen. On erittäin tärkeää, että luet ja ymmärrät ne kokonaan.

 **VAROITUS!** Jos et noudata tämän oppaan varoituksia, Matrix-tuotteesi saattaa vahingoittua.

 **VAROITUS!** Jos et noudata tämän oppaan varoituksia, saattaa aiheutua henkilövahinkoja.

 **TÄRKEÄÄ!** Tietoja, jotka on tärkeä muistaa Matrix-tuotteen asennuksen ja säädön aikana.

 **TÄRKEÄÄ!** Katso lisää pyörätuolin käyttöön liittyviä turvaohjeita, varoituksia ja huomautuksia pyörätuolin omistajan/käyttäjän oppaasta.

1.0 YLEISET VAROITUKSET/TIEDOT

1.1 Yleiskatsaus

▲ VAROITUS KÄYTTÄJÄLLE!

ÄLÄ KÄYTÄ TÄTÄ TUOTETTA TAI SIIHEN SAATAVILLA OLEVIA LISÄVARUSTEITA ENNEN KUIN OLET LUKENUT KOKONAAN JA YMMÄRTÄNYT NÄMÄ OHJEET JA MAHDOLLISET LISÄOHJEET, KUTEN KÄYTTÖOPPAAT, HUOLTO-OPPAAT JA OHJELEHTISET, JOTKA ON TOIMITTU TÄMÄN TUOTTEEN TAI LISÄVARUSTEEN MUKANA. JOS ET YMMÄRRÄ VAROITUKSIA, HUOMAUTUKSIA TAI OHJEITA, OTA YHTEYTTÄ TERVEYDENHOITOALAN AMMATTILAISEEN, JAKELIJAAN TAI TEKNISEEN HENKILÖSTÖÖN ENNEN LAITTEEN KÄYTTÄMISTÄ. MUUTEN SAATTAA AIHEUTUA VAURIOITA TAI VAHINKOJA.

📌 TÄRKEITÄ TIETOJA

Voit välttää painehiertymiin liittyvät ongelmat parhaiten ymmärtämällä niiden syyt ja oman tehtäväsi ihonhoito-ohjelmassa. Jos sinulla on kysyttävää henkilökohtaisista rajoituksista ja tarpeista, ota yhteyttä fysioterapeuttiin tai lääkäriin.

Kaikki selkänöjapehmusteet on valittava huolellisesti. Toimimalla yhteistyössä fysioterapeutin ja lääkärin kanssa voit parhaiten varmistaa, että pehmusteen valinta vastaa henkilökohtaisia tarpeitasi. Koska yksilöiden tarpeet ovat yhä monimutkaisempia, arviointi on entistä tärkeämpää.

Invacare® Matrx® MX2 -selkänöjat

Invacare® Matrx® MX2 -selkänöja on muotoiltu siten, että pyörätuoli tukee optimaalisesti käyttäjän asentoa. Vahtomuoviosat on ylimitoitettu parhaan mahdollisen käyttömukavuuden ja suojauksen varmistamiseksi.

Invacare® Matrx® MX2 -selkänöjassa on liikuteltava vahtomuovinen ristiselkätuki, joka voidaan asentaa/sijoittaa nykyisen vahtomuovipehmusteen taakse asemointimahdollisuuksien lisäämiseksi. Katso **luku 6.0 – Ristiselkätuki**.

Ulkosuojus on hengittävää verkkokudosta, johon on yhdistetty tekonahkaa kestävyuden lisäämiseksi. On suositeltavaa puhdistaa ja tarkistaa ulkosuojus säännöllisesti. Katso **luku 5.0 –Ylläpito ja huolto**.

1.2 Kulumiselle alttiit osat

📌 TÄRKEÄÄ! Tavallisiin kulumiselle alttiisiin osiin ja komponentteihin lukeutuvat muun muassa kaikki pehmusteet, mukaan lukien selkänöjan pehmuste ja pehmustetyyny. Invacare pitää oikeuden pyytää takaisin mikä tahansa tuote, jossa on väitetty olevan valmistusvirhe. Tarkemmat takuutiedot on ilmoitettu **Takuukäytännöt**-osassa (takasivulla).

Tietoja ennaltaehkäisevän huollon aikataulusta ja tuotteen asianmukaisesta käytöstä on tässä käyttöoppaassa. Tämä on vain yleinen ohje, joka ei sisällä väärinkäytöksistä johtuvia vahinkoja. Käyttöikään vaikuttavat monet tekijät.

1.3 Käyttötarkoitus

Invacare® Matrx® MX2 -selkänöjat on suunniteltu siten, että pyörätuoli tukee optimaalisesti käyttäjän asentoa.

2.0 TURVALLISUUSTIEDOT

2.1 Kuljetukseen liittyviä varoituksia!

▲ VAROITUS!

Vakavien vammojen vaara kuljetettaessa asiakasta

mootoriajoneuvossa pyörätuolilla, johon on asennettu Invacare®
Matrx® MX2 -selkänöja.

- Aina kun se on mahdollista, Invacare suosittelee siirtämään asiakkaan pyörätuolista ajoneuvon istuimelle ja kiinnittämään lantio- ja vinottaisen turvavyön.
- Invacare® Matrx® MX2 -selkänöjia saa käyttää vain sellaisissa pyörätuoleissa, jotka täyttävät RESNA WC19- tai ISO 7176–19 -standardin vaatimukset.
- Lisätietoja asiakkaan turvallisesta kuljettamisesta pyörätuolilla mootoriajoneuvossa on pyörätuolin sekä sidonta- ja kiinnitysjärjestelmän (WTORS) käyttöoppaissa.

2.2 Yleinen turvallisuus

▲ VAROITUS! Kuoleman, vakavan vamman tai vaurioitumisen vaara

Tämän tuotteen vääränlainen käyttö saattaa aiheuttaa vamman tai vahingon. Jos et ymmärrä varoituksia, huomautuksia tai ohjeita, ota yhteyttä terveydenhoitoalan ammattilaiseen tai jälleenmyyjään ennen laitteen käyttämistä. ÄLÄ käytä tätä tuotetta tai siihen saatavilla olevia lisävarusteita, ennen kuin olet lukenut kokonaan ja sisäistänyt nämä ohjeet ja mahdolliset lisäohjeet, kuten käyttöoppaat, huolto-oppaat ja ohjelehtiset, jotka on toimitettu tämän tuotteen tai lisävarusteen mukana.

▲ VAROITUS! Kuoleman, vakavan vamman tai vaurioitumisen vaara

Pehmustetulle istuinjärjestelmälle pudonnut sytytetty savuke voi aiheuttaa tulipalon, joka saattaa johtaa kuolemaan, vakaviin vammoihin tai vaurioihin. Pyörätuolissa istuvat henkilöt ovat erityisesti vaarassa kuolla tai loukkaantua vakavasti näiden tulipalojen ja syntyvien savujen vuoksi, sillä he eivät ehkä kykene siirtymään pois pyörätuolista.

- ÄLÄ tupakoi, kun käytät tätä pyörätuolia

▲ VAROITUS! Loukkaantumisvaara

Invacare® Matrx® -tuotteet on suunniteltu ja valmistettu käytettäväksi erityisesti Invacare® Matrx® -lisävarusteiden kanssa. Invacare ei ole testannut muiden valmistajien lisävarusteita eikä niitä suositella käytettäväksi Invacare® Matrx® -tuotteiden kanssa.

▲ VAROITUS Loukkaantumisvaara

Ihon kunto on tarkastettava usein uusien istuinjärjestelmien asentamisen jälkeen. Jos sinulla on kysyttävää henkilökohtaisista rajoituksista ja tarpeista, ota yhteyttä fysioterapeuttiin tai lääkäriin. Koska yksilöiden tarpeet ovat yhä monimutkaisempia, arviointi on entistä tärkeämpää.

2.0 TURVALLISUUSTIEDOT

2.3 Asennukseen liittyviä varoituksia

▲ VAROITUS! Vakavan vamman vaara

Kun luot Invacare® Matr^x MX2 -selkänöjan kiinnitysasentoa, varmista, ettei pyörätuolin vakaus vaarannu. Selkänöjan etu- ja taka-asennon säätäminen muuttaa käyttäjän painopistettä pyörätuolissa. Sisäänvedetty selkänöjan asento voi huomattavasti vähentää pyörätuolin takavakautta. Vastaavasti selkänöjan eteenpäin työntyvä asento vähentää pyörätuolin etuvakautta.

▲ VAROITUS! Vakavan vamman tai vaurioitumisen vaara

- Tässä oppaassa kuvattuja toimenpiteitä saa suorittaa vain pätevä huoltohenkilö
- Löysästi kiinni kiristettyjen laitteiden kiinnittäminen voi heikentää vakautta, mikä saattaa aiheuttaa vakavan vamman tai omaisuusvahingon.
- Varmista KAIKKIEN säätöjen, korjausten ja huoltojen jälkeen ja ennen käyttöä, että kaikki kiinnityslaitteet on kiristetty kunnolla.
- ÄLÄ asenna Invacare® Matr^x MX2 -selkänöjakokoonpanoa takakeppeihin, joiden ulkohalkaisija on yli 25 mm (1") tai alle 19 mm (3/4"). Muussa tapauksessa seurauksena voi olla vamma tai vaurio.
- Invacare® Matr^x MX2 -selkänöjaa ei ole tarkoitettu sähkötoimisiin istuinlaitteisiin.
- Invacare® Matr^x MX2 -selkänöjan kiinnitysasento on suoraan verrannollinen pyörätuolin vakauteen. Etupyörien tai takapyörien asentoa, selkänöjan kulmaa, kallistustilaa, kallistusasentoa ja/tai istuinsyvyyttä on ehkä muutettava ennen käyttöä.
- Varmista ennen käyttöä, että Invacare® Matr^x MX2 -selkänöja on kiinnitetty kunnolla pyörätuoliin. Muussa tapauksessa seurauksena voi olla vamma tai vaurio.

▲ VAROITUS! Vakavan vamman tai vaurioitumisen vaara

Toimitetut asennustyökalut ovat vahvoja ja niiden kestävyys on testattu.

ÄLÄ KÄYTÄ muita työkaluja. Käytä vain mukana toimitettuja alkuperäisiä Matr^x MX2 -työkaluja.

2.4 Selkänöjakoot/painokapasiteetti:

MÄÄRITETTY MALLI	KUVAUS	CONTOUR-ISTUIMEN SYVYYS	PAINOKAPASITEETTI
IMX2IIkk	Matrx MX2 -selkänöja	76 mm (3 tuumaa)	113 kg (250 paunaa)

* IIkk = leveys/korkeus

Saatavilla olevat koot: Leveys: 355 mm – 460 mm (14"–18");
Korkeus: 150 mm (6"), 230 mm (9"), 310 mm (12"),
410 mm (16")

Lisätietoja siitä, mikä selkänöjamalli/-koko vastaa parhaiten henkilökohtaisia tarpeitasi, saat jälleenmyyjältä tai fysioterapeutilta. Lisätietoja Matr^x-selkänöjistamme sekä kaikkien saatavilla olevien mallien/kokojen luettelo on osoitteissa www.motionconcepts.com ja www.invacare.com.

3.0 MX2 -SELKÄNOJA – KIINTEÄ ASENNUS

3.1 Kiinteän asennuksen kiinnityslaitesarja

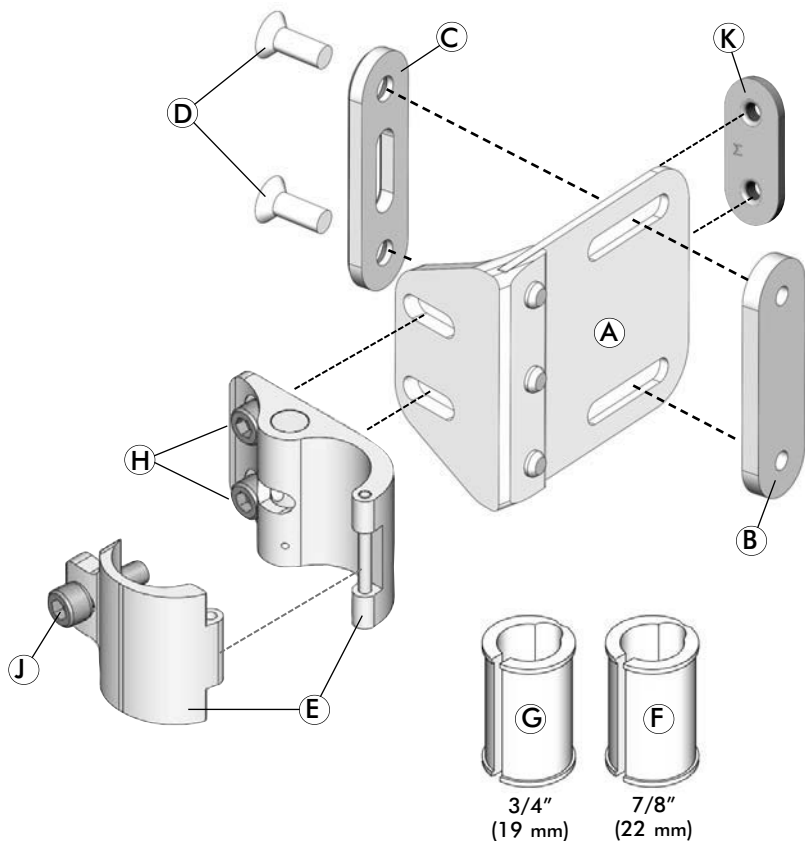
i) Kiinnikekokoontaso (asennetaan MX2:n suojakuoreen):

- | | |
|---|--|
| 2 – Kiinteät kiinnikkeet (A) | 2 – Kiinteän kiinnikkeen aluslevyt (C) |
| 2 – Kiinteän kiinnikkeen mutterilevyt (B) | 4 – Kiinteän kiinnikkeen ruuvit (D) |

ii) Kepin puristimen kokoontaso (asennetaan pyörätuolin selkänokajakepeihin):

- | | |
|---|--|
| 2 – Kepin puristin (E) | 4 – Syvyyden/kallistuskulman säätöruuvit (H) |
| 2 – Kepin liitinholkit 22 mm (7/8") (F) | 2 – Kepin puristimen ruuvit (J) |
| 2 – Kepin liitinholkit 19 mm (3/4") (G) | 2 – Kepin puristimen mutterilevyt (K) |

(kuvassa laitteen oikea kokoontaso)



3.0 MX2 -SELKÄNOJA – KIINTEÄ ASENNUS

3.2 Vaaditut työkalut

Kuusiokoloavain (4 mm / 5 mm) (sisältyy toimitukseen)

Rullamitta/viivain

! HUOMAA

Jos jokin toimitukseen sisältyvistä kiinnityslaitteista puuttuu tai on väärässä paikassa, ota yhteyttä paikalliseen Invacare- / Motion Concepts -edustajaan saadaksesi tarpeelliset varaosat.

3.3 MX2:n kiinteiden kiinnikkeiden asennus:

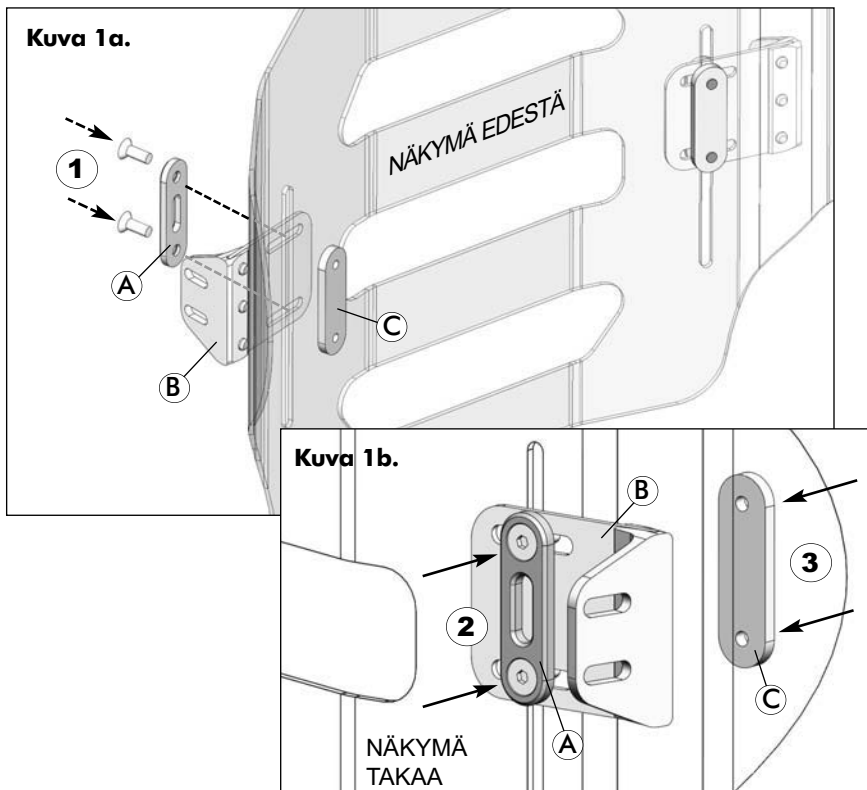
! HUOMAA: Ennen kiinteiden kiinnikkeiden asentamista

Irrota MX2:n suojus varovasti tai löysää sitä vapauttamalla teippikoukku ja silmukkakiinnittimet suojakuoren alareunasta ja sisältä.

- 1 Keskity suojakuoren toiseen puoleen ja asenna kiinteä kiinnike Invacare® Matrx® MX2 -suojakuoreen seuraavasti:
 - Kohdista aluslevy (A) kiinteän kiinnikkeen aukkojen (B) kanssa ja aseta ruuvit molempien osien läpi (1); (katso kuva 1a)
 - Asenna suojakuoren takana 2 kiinnikkeestä esiin pistävää ruuvia MX2 -suojakuoren pystysuuntaisen aukon läpi (2); (katso kuva 1b)
 - Kiinnitä kiinnike MX2 -suojakuoreen kiertämällä ruuvit kiinni mutterilevyyn (C) suojakuoren etupuolella (sisäpuolella) (3); (katso kuva 1b)
- 2 Asenna toinen kiinteä kiinnike suojakuoren vastakkaiselle puolelle (edellä vaiheessa 1 annettujen ohjeiden mukaan).

3.0 MX2 -SELKÄNOJA – KIINTEÄ ASENNUS

Kiinteiden kiinnikkeiden asennus



3.4 Asennusta edeltävät toimet: MX2:n kepin puristimen suunta:

i TÄRKEÄÄ! Ennen MX2:n kepin puristimien asennusta on määritettävä puristimien suunta.

Vakiokokoonpanossa kepin puristimet (A) asennetaan selkänöjakeppiin *takimmaisessa* asennossa. Tämä kokoonpano maksimoi pyörätuolin käytettävissä olevan istuinsyvyyden, katso **kuva 2a**.

Käänteisessä kokoonpanossa* kepin puristimia (A) käännetään 180° takakeppiin ympäri. Tämä kokoonpano minimoi käytettävissä olevan istuinsyvyyden ja asettaa MX2 -selkänöjan asennon tarvittaessa enemmän eteenpäin, katso **kuva 2b**.

Keppin puristimet (A) tarjoavat **38 mm:n (1,5":n)** säätövaran eteen tai taakse (suhteessa selkänöjakeppiin) valitun kiinnityskokoonpanon perusteella

3.0 MX2 -SELKÄNOJA – KIINTEÄ ASENNUS

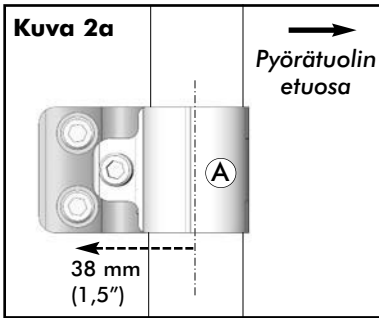
3.4 Asennusta edeltävät toimet: MX2:n kepin puristimen suunta: ...jatkoa

VAROITUS! Vakavan vamman vaara

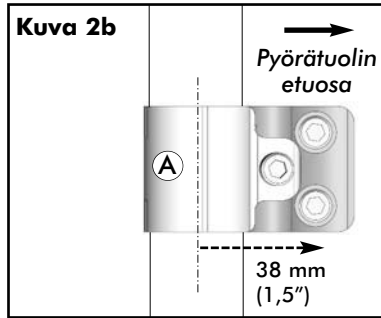
Kun määrität Invacare® Matrx® MX2 -selkänöjan lopullista kiinnitysasentoa, varmista, ettei pyörätuolin vakaus vaarannu.

Selkänöjan etu- ja taka-asennon säätäminen muuttaa käyttäjän painopistettä pyörätuolissa. Sisäänvedetty selkänöjan asento voi huomattavasti vähentää pyörätuolin takavakautta. Vastaavasti selkänöjan eteenpäin työntävä asento vähentää pyörätuolin etuvakautta.

MX2:n kepin puristimen suunta



Vakiokeppi
Puristinkokoonpano
(istuimen enimmäissyvyys)



Käänteinen keppi
Puristinkokoonpano
(istuimen vähimmäissyvyys)

3.5 MX2:n kepin puristimen asennus:

MX2:n kepin puristimet on suunniteltu asennettavaksi selkänöjakeppiin, jonka halkaisija on 25 mm (1"), 22 mm (7/8") tai 19 mm (3/4"). (Toimitukseen sisältyvät muoviholkkit (A) halkaisijaltaan pienempiin selkänöjakeppeihin asentamista varten*).

- 1 Poista tarvittaessa pyörätuolin nykyinen selkänöja.
- 2 Asenna kepin puristinkokoonpano (B) löysästi kuhunkin selkänöjakeppiin halutussa suunnassa, katso asennuksen yhteenveto **kuvassa 3** ja **kuvassa 4**.

*Erikokoisten takakeppien sijoittaminen:

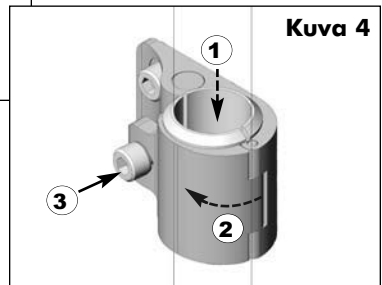
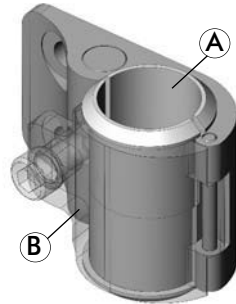
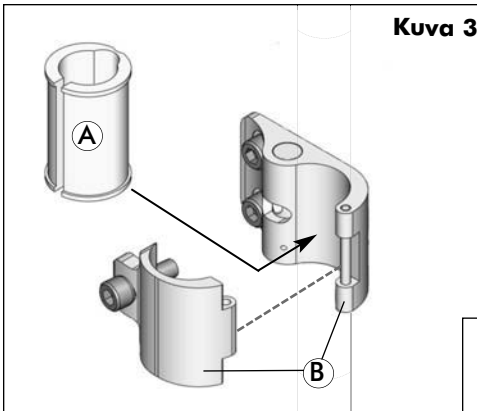
25 mm:n (1":n) kepit – Ei muoviholkkeja

22 mm:n (7/8":n) kepit – Kiinnitä 22 mm:n (7/8":n) muoviholkkit (x2)

19 mm:n (3/4":n) kepit – Kiinnitä 19 mm:n (3/4":n) muoviholkkit (x2)

3.0 MX2 -SELKÄNOJA – KIINTEÄ ASENNUS

MX2:n kepin puristimen asennus



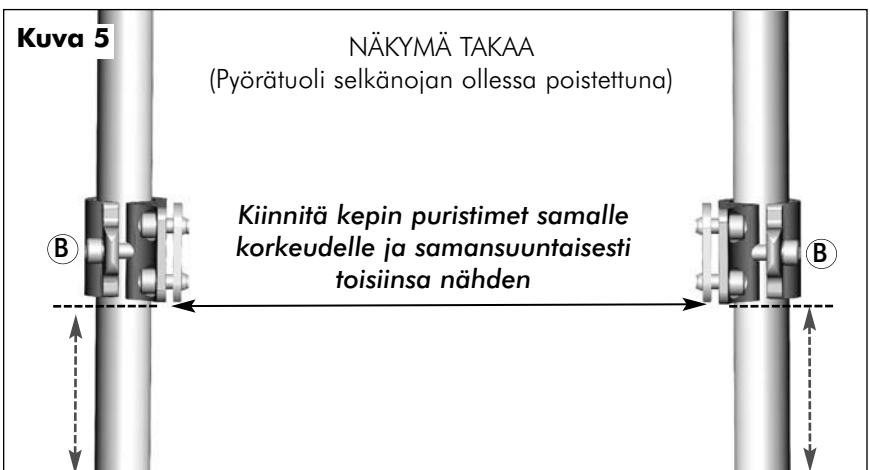
HYÖDYLLINEN VINKKI

Suihkuta hiukan hiuslakkia selkänöjakeppeihin ja muoviholkkien sisäpuolelle, jotta saat aikaan turvallisen liukumattoman sidoksen.

- 3 Aloita toiselta puolelta, liu'uta/säädä kepin puristinkokoonpanoa (B) haluttuun korkeuteen/asentoon takakeppiä pitkin ja kiristä se tiukasti paikoilleen.

Huomaa: Selkänöjan lopullista korkeutta voi säätää/hienosäätää sen jälkeen, kun MX2 -suojakuori on asennettu kepin puristimiin (katso kuva 5)

MX2:n kepin puristimen korkeuden säätäminen



3.0 MX2 -SELKÄNOJA – KIINTEÄ ASENNUS

3.5 MX2:n kepin puristimen asennus: (...jatkoa)

- 4 Mittaa pyörätuolin kiinteästä pisteestä (esim. istuimen rungosta / vahvistustangosta) ensimmäisen kepin puristimen (B) korkeus ja kiinnitä toinen kepin puristin (B) samalle korkeudelle vastakkaiseen selkänöjakeppiin (katso kuva 5)

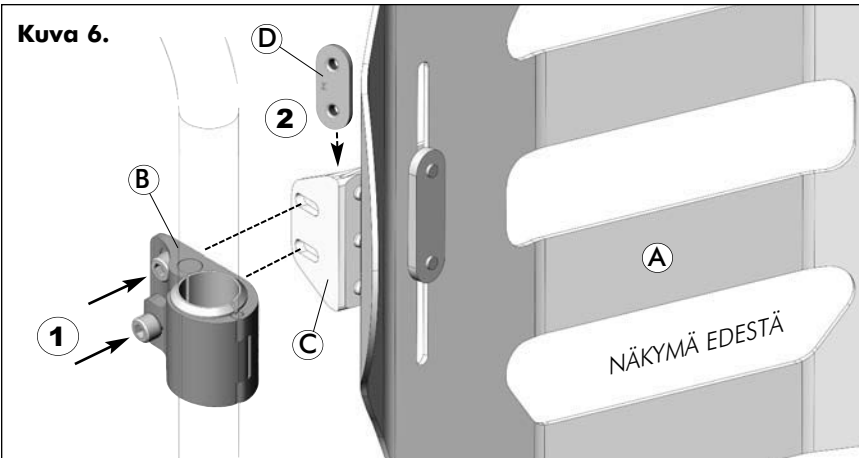
Huomaa: Varmista, että asennetut kepin puristimet on kohdistettu samansuuntaisesti toisiinsa nähden.

3.6 MX2 -selkänöjan asennus kiinteisiin kepin puristimiin:

- 1 Keskity suojakuoren toiseen puoleen ja asenna Matrx MX2 -selkänöja (A) kepin puristimiin* (katso kuva 6):
- Kohdista 2 kepin puristinkokoonpanon asennusruvia (B) vastaavien MX2:n kiinteiden kiinnikkeiden aukkojen (C) kanssa (1).
 - Kiinnitä kepin puristinkokoonpano MX2:n kiinnikkeeseen mukana toimitetun kierteitetyn mutterilevyn avulla (D) (2).
 - Toista vaiheet (1) ja (2) kiinnittäaksesi MX2:n suojakuoren vastakkaiseen selkänöjakeppiin.

***HUOMAA:** Ennen Matrx MX2 -selkänöjan asentamista kepin puristimiin kiinteitä kiinnikkeitä on hieman löysättävä suojakuoren kohdistuksen ja asennuksen helpottamiseksi. Katso luvusta 3.7 (kuva 8) tarkemmat leveyden/korkeuden säätämisohteet

MX2 -selkänöjan asentaminen: KIINTEÄN asennuksen kiinnityslaitteet



3.0 MX2 -SELKÄNOJA – KIINTEÄ ASENNUS

3.7 Kiinteästi asennetun MX2 -selkänöjan säädöt:

i TÄRKEÄÄ! MX2:n kiinteät kiinnikkeet on suunniteltu asennettavaksi selkänöjakeppeihin, jotka ovat enintään 25 mm (1") **leveämmät tai 25 mm (1") kapeammat** kuin selkänöjan nimellisveys. Vakioasennuksessa MX2 -selkänöja asennetaan symmetrisesti (keskitetysti) selkänöjakeppien väliin.

i TÄRKEÄÄ! Käyttäjä voi parhaiten määrittää selkänöjan ihanteellisen syvyyden/korkeuden/kulman kokoonpanon istumalla pyörätuolissa asetuksia määrittäessään.

- 1 Kun MX2:n suojuori on asennettu pyörätuoliin (kepin puristimiin), MX2 -selkänöjan lopullista syvyyttä, korkeutta/leveyttä ja selkänöjan kulmaa voidaan vielä säätää loppukäyttäjälle sopivaksi:
 - i. **Syvyyden säätäminen:** MX2 -selkänöjan syvyyttä (suhteessa selkänöjakeppeihin) hallitaan kahdella erillisellä säädöllä:

MX2:n kepin puristimien suunta: (katso myös **luku 3.4**)
MX2:n kepin puristimien suunta (etummainen asennus tai takimmainen asennus) määrittää suojuoren asennon (+/- 38 mm (1,5")) suhteessa selkänöjakeppeihin **(1)**. Katso **kuva 7a**.

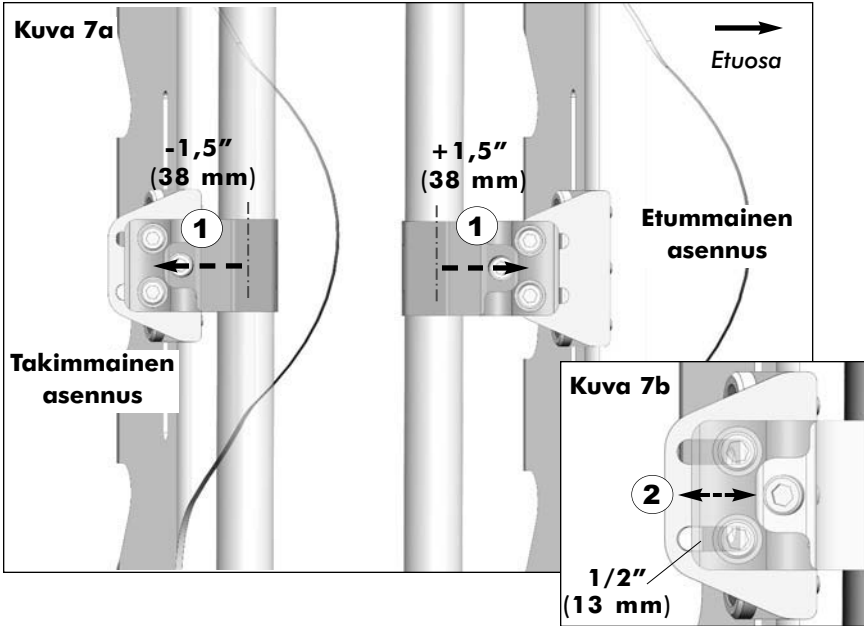
Etu- ja taka-asennon syvyyden enimmäissäätövara MX2:n kiinteän asennuksen kiinnityslaitteille = **76 mm (3") (+/- 38 mm (1,5"))**.

MX2:n kiinnityslevyt:
MX2:n kiinnityslevyjen aukolliset kanavat sallivat enimmäissäätövaralla jopa **13 mm:n (1/2":n)** syvyysäädön **(2)**. Katso **kuva 7b**.
 - ii. **Leveyden/korkeuden säätäminen:** Selkänöjakeppien leveyserojen yhteen sovittamiseksi leveyttä voi hienosäätää MX2:n kiinnikkeiden vaakasuuntaisten aukkojen **(1)** avulla. MX2 -selkänöjan korkeutta (suhteessa kepin puristimiin) voi säätää MX2 -suojuoren **(2)** pystysuuntaisten aukkojen avulla. Aukon pituus (korkeuden säätövara) vaihtelee suojuoren koon (korkeuden) mukaan. Katso **kuvat 8a ja 8b**.
 - iii. **Kulman säätäminen:** Selkänöjan kulmaa voi säätää $\pm 15^\circ$ kääntämällä suojuorta eteenpäin **(1)** tai taaksepäin **(2)** MX2:n kiinnikkeiden aukollisissa kanavissa. Katso **kuva 9**.
- 2 Varmista, että pyörätuolin yleinen mukavuus, kunto ja selkänöjan kohdistus ovat käyttäjälle sopivia. Säädä uudelleen tarvittaessa.
- 3 Kiinnitä/kiristä kaikki asennuslaitteet täysin ja varmista, etteivät MX2:n kiinnikkeet / kepin puristimet luista tai kääny pois paikaltaan.

3.0 MX2 -SELKÄNOJA – KIINTEÄ ASENNUS

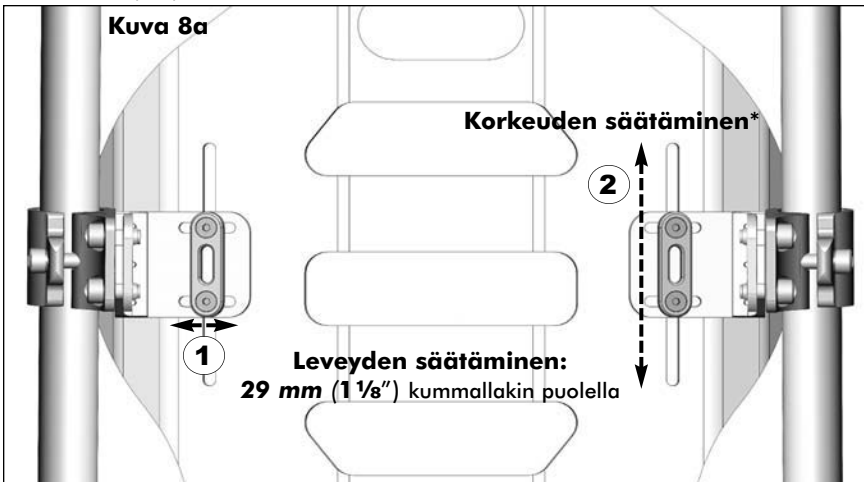
i TÄRKEÄÄ! Ellei toisin edellytetä, kaikki syvyys-, korkeus- ja kulma-asetukset tehdään symmetrisesti vasemmalle ja oikealle kiinnityslevylle.

MX2:n kiinteä asennus: SYVYYDEN säätäminen



MX2:n kiinteä asennus: LEVEYDEN/KORKEUDEN säätäminen

(suhteessa kepin puristimeen)



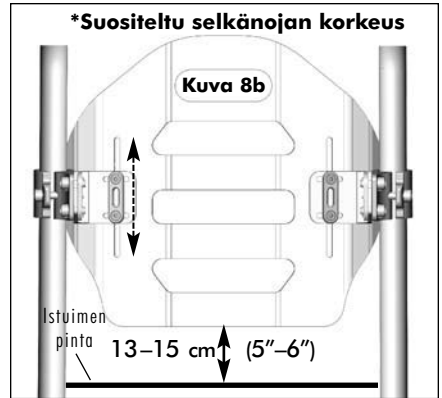
3.0 MX2 -SELKÄNOJA – KIINTEÄ ASENNUS

***HUOMAA:** MX2 -selkänöjan korkeuden säätövara vaihtelee MX2:n suojakuoren korkeuden (aukon pituuden) mukaan, katso taulukko 1.0:

Taulukko 1.0:
MX2:n korkeuden (aukon) säätäminen

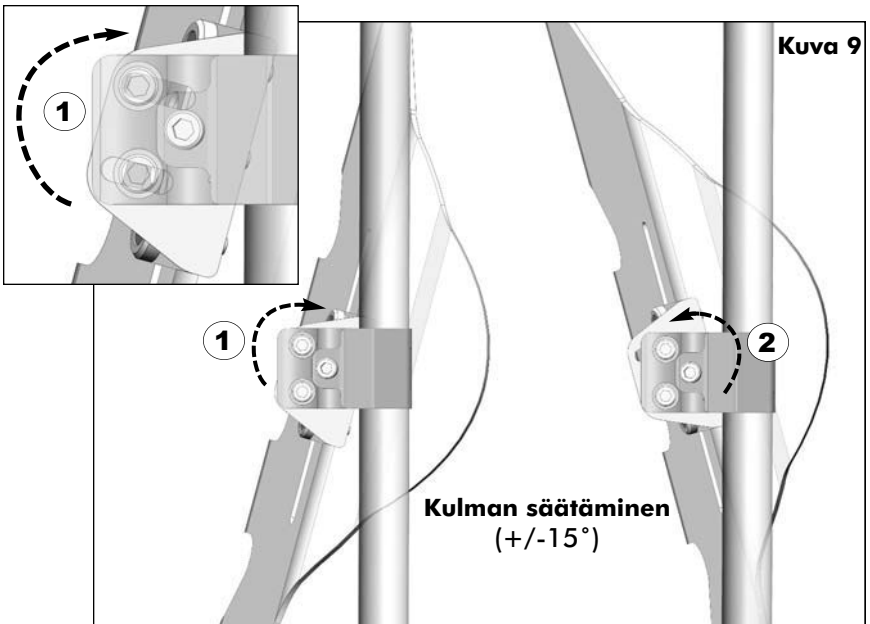
Suojakuori Korkeus	Säätövara
150 mm (6")	13 mm (1/2")
230 mm (9")	51 mm (2")
310 mm (12")	51 mm (2")
410 mm (16")	89 mm (3,5")

***Huomaa:** Suositeltu MX2 -selkänöjan korkeus on vain ohjeellinen. Yksilölliset muutokset voivat olla tarpeen, katso seuraava **Tärkeää!**-huomautus.



❗ TÄRKEÄÄ! Varmista aina, että selkänöjan alareuna sijaitsee anatomisesti suoliluun harjan takakärjen (SIPS) alapuolella. Jos sinulla on kysyttävää tai ongelmia selkänöjan oikeaan korkeuteen liittyen, pyydä lisätietoja palveluntarjoajalta ja/tai terveydenhoitoalan ammattilaiselta.

MX2:n kiinteä asennus: SELKÄNOJAN KULMAN säätäminen

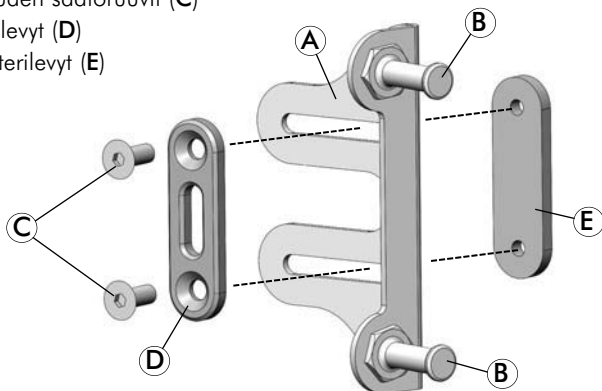


4.0 MX2 -SELKÄNOJA – IRROTETTAVA ASENNUS

4.1 Irrotettava (pikairrotettava) kiinnityslaitesarja:

i) QR-kiinnikekokoontarja (asennetaan MX2:n suojakuoreen):

- 2 – MX2:n QR-kiinnikkeet (A)
- 4 – Pikairrotettavat kiinnitystapit (B)
- 4 – Leveyden/korkeuden säätöruuvit (C)
- 2 – Kiinnikkeen aluslevyt (D)
- 2 – Kiinnikkeen mutterilevyt (E)

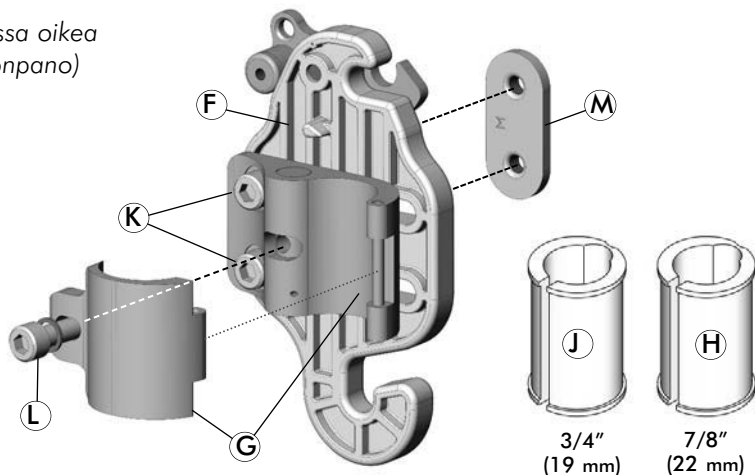


(kuvassa oikea kokoonpano)

ii) Kepin puristimen kokoonpano (asennetaan pyörätuolin selkänojakeppeihin):

- 2 – Pienet kiinnityslevyt (F)
- 2 – Kepin puristin (G)
- 2 – Kepin liitinholkit 22 mm (7/8") (H)
- 2 – Kepin liitinholkit 19 mm (3/4") (J)
- 4 – Syvyyden/kulman säätöruuvit (K)
- 2 – Kepin puristimen ruuvit (L)
- 2 – Kepin puristimen mutterilevyt (M)

(kuvassa oikea kokoonpano)



4.0 MX2 -SELKÄNOJA – IRROTETTAVA ASENNUS

4.2 Vaaditut työkalut

Kuusiokoloavain (4 mm / 5 mm) (sisältyy toimitukseen)

Rullamitta/viivain

! HUOMAA

Jos jokin toimitukseen sisältyvistä kiinnityslaitteista puuttuu tai on väärässä paikassa, ota yhteyttä paikalliseen Invacare- / Motion Concepts -edustajaan saadaksesi tarpeelliset varaosat.

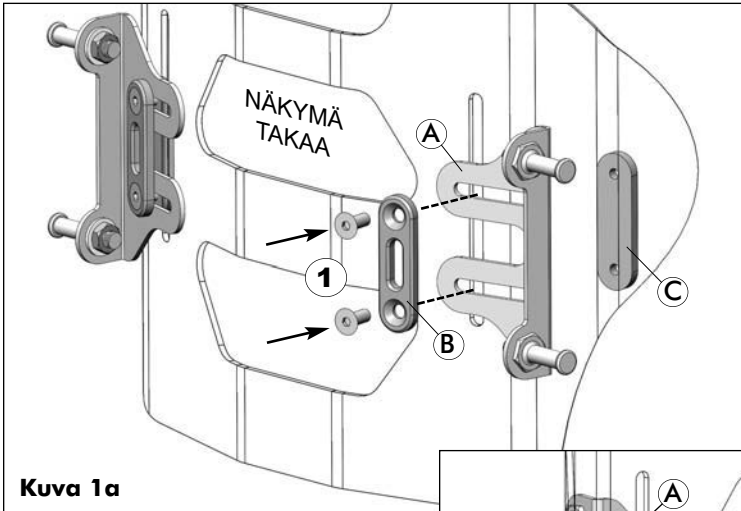
4.3 MX2:n pikairrotettavien kiinnikkeiden asennus:

i HUOMAA: Ennen pikairrotettavien (QR) kiinnikkeiden asentamista Irrota MX2:n suojus varovasti vapauttamalla teippikoukku ja silmukkakiinnittimet suojakuoren ylä- ja alareunan ympäriltä ja sisältä.

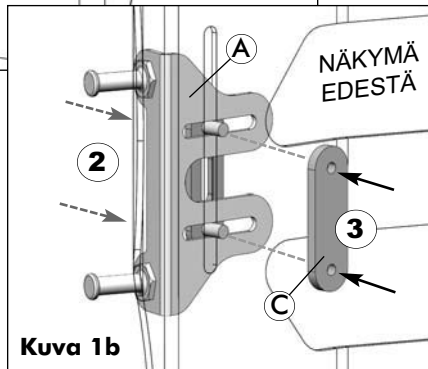
- 1 Keskity suojakuoren toiseen puoleen ja asenna pikairrotettava kiinnike (A) Matr X MX2 -suojakuoreen seuraavasti:
 - Kohdistaa aluslevy (B) kiinnikkeen aukkojen (A) kanssa ja aseta ruuvit molempien osien läpi (1); (katso kuva 1a (s. 18))
 - Asenna suojakuoren takana 2 kiinnikkeestä esiin pistävää ruuvia MX2 -suojakuoren pystysuuntaisen aukon läpi (2); (katso kuva 1b)
 - Kiinnitä kiinnike MX2 -suojakuoreen kiertämällä ruuvit kiinni mutterilevyyn (D) suojakuoren etupuolella (sisäpuolella) (3); (katso kuva 1b)
- 2 Asenna toinen pikairrotettava kiinnike (A) suojakuoren vastakkaiselle puolelle (edellä vaiheessa 1 annettujen ohjeiden mukaan).

4.0 MX2 -SELKÄNOJA – IRROTETTAVA ASENNUS

Pikairrotettavien kiinnikkeiden asennus



Kuva 1a



Kuva 1b



HYÖDYLLINEN VINKKI

Pikairrotettavat kiinnikkeet/laitteet voidaan asentaa löysästi MX2:n suojakuoreen kiinnikkeiden kohdistusta (leveys/korkeus) varten MX2:n kiinnityslevyihin asennettaessa.

4.4 Asennusta edeltävät toimet: MX2:n kepin puristimen suunta

TÄRKEÄÄ! Ennen MX2:n kepin puristinkokoonpanojen asennusta on määritettävä puristimien suunta.

VAROITUS! Vakavan vamman vaara

Kun määrität Invacare® MatrX® MX2 -selkänöjan lopullista kiinnitysasettoa, varmista, ettei pyörätuolin vakaus vaarannu.

Selkänöjan etu- ja taka-asennon säätäminen muuttaa käyttäjän painopistettä pyörätuolissa. Sisäänvedetty selkänöjan asento voi huomattavasti vähentää pyörätuolin takavakautta. Vastaavasti selkänöjan eteenpäin työntyvä asento vähentää pyörätuolin etuvakautta.

4.0 MX2 -SELKÄNOJA – IRROTETTAVA ASENNUS

Vakiokokoonpanossa MX2:n kepin puristimet (A) ja kiinnityslevyt (B) asennetaan selkänójakeppiin *takimmaisessa* asennossa. Tämä kokoonpano maksimoi pyörätuolin käytettävissä olevan istuinsyvyyden, katso **kuva 2**.

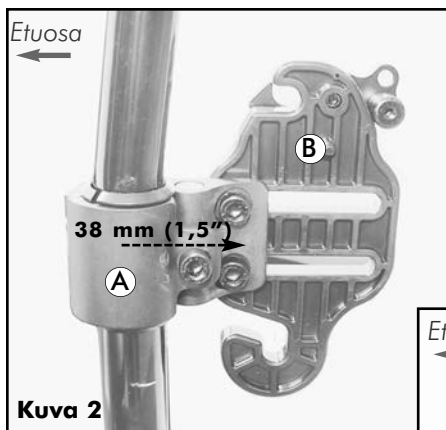
Käänteisessä kokoonpanossa* kepin puristimia (A) käännetään 180° takakeppien ympäri. Tämä kokoonpano minimoi käytettävissä olevan istuinsyvyyden ja asettaa MX2-selkänöjan asennon tarvittaessa enemmän eteenpäin, katso **kuva 3**.

Kepin puristimet (A) tarjoavat **38 mm:n (1,5”):n** säätövaran eteen tai taakse (suhteessa selkänójakeppiin) valitun kiinnityskokoonpanon perusteella.

Huomaa: Katso **luvusta 4.8** tarkemmat MX2:n irrotettavan asennuksen syvyyden säätämishjeet.

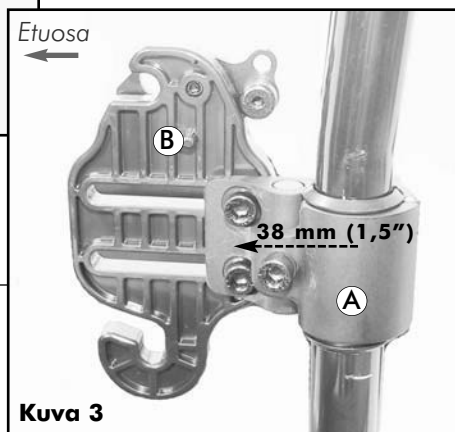
***Käännä kiinnityslevy/kepin puristin etummaisimpaan asentoon:**

- 1 Irrota kiinnityslevy (B) kepin puristimesta (A) (2 ruuvia);
- 2 Käännä kepin puristinta (A) 180° ja koota kiinnityslevy (B) uudelleen samassa suunnassa (**kuvan 3** mukaisesti)



Kepin puristimen vakiokokoonpano
(istuimen enimmäissyvyys)

Kepin puristimen käänteinen kokoonpano
(istuimen vähimmäissyvyys)



4.0 MX2 -SELKÄNOJA – IRROTETTAVA ASENNUS

4.5 MX2:n kepin puristimen / kiinnityslevyn asennus:

MX2:n kepin puristimet on suunniteltu asennettavaksi selkänöjakeppiin, jonka halkaisija on 25 mm (1"), 22 mm (7/8") tai 19 mm (3/4"). (Toimitukseen sisältyvät muoviholkit (A) halkaisijaltaan pienempiin selkänöjakeppeihin asentamista varten*).

- 1 Poista tarvittaessa pyörätuolin nykyinen selkänöja.
- 2 Asenna kepin puristinkokoonpano (B) löysästi kuhunkin selkänöjakeppiin halutussa suunnassa, katso asennuksen yhteenveto **kuvassa 4** ja **kuvassa 5**.

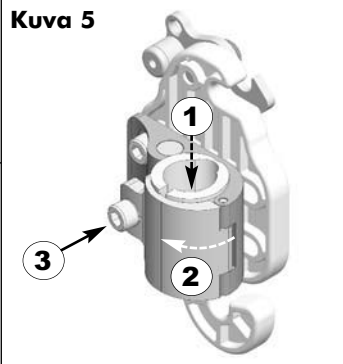
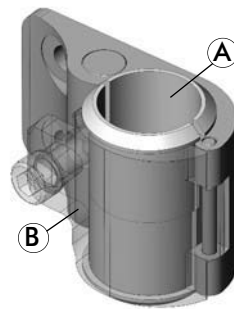
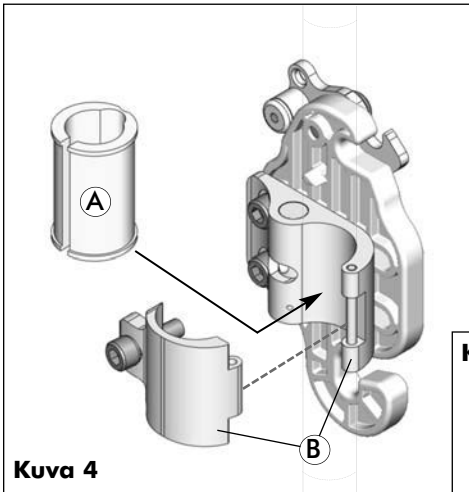
*Erikokoisten takakeppien sijoittaminen:

25 mm:n (1":n) kepit – Ei muoviholkkeja

22 mm:n (7/8":n) kepit – Kiinnitä 22 mm:n (7/8":n) muoviholkit (x2)

19 mm:n (3/4":n) kepit – Kiinnitä 19 mm:n (3/4":n) muoviholkit (x2)

MX2:n kepin puristimen asennus



HYÖDYLLINEN VINKKI

Suihkuta hiukan hiuslakkaa selkänöjakeppeihin ja muoviholkkien sisäpuolelle, jotta saat aikaan turvallisen liukumattoman sidoksen.

4.0 MX2 -SELKÄNOJA – IRROTETTAVA ASENNUS

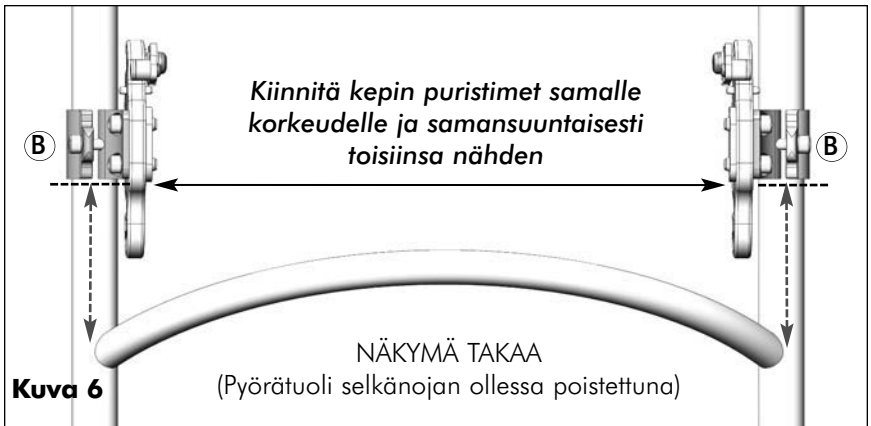
- 3 Aloita toiselta puolelta, liu'uta/säädä kepin puristinta (B) haluttuun korkeuteen/asentoon takakeppiä pitkin ja kiristä se tiukasti paikoilleen.

Huomaa: Selkänöjan lopullista korkeutta voi säätää/hienosäätää sen jälkeen, kun MX2 -suojakuori on asennettu kiinnityslevyihin

- 4 Mittaa pyörätuolin kiinteästä pisteestä (esim. istuimen rungosta / vahvistustangosta) ensimmäisen kepin puristinkokoonpanon korkeus ja kiinnitä toinen kepin puristin samalle korkeudelle vastakkaiseen selkänöjakeppiin, katso **kuva 6** jäljempänä.

Huomaa: Varmista, että asennetut kepin puristimet / kiinnityslevyt on kohdistettu samansuuntaisesti toisiinsa nähden.

MX2:n kepin puristimen / kiinnityslevyn korkeuden säätäminen



4.6 MX2 -selkänöjan asennus pikairrotettavaan laitteistoon

VAROITUS! Kiinnitystappin vääränlainen asennus voi vahingoittaa taustalevyä ja/tai kiinnityslevyjä. Varmista, että jätät riittävästi tilaa kiinnityslevyn ja kiinnitystappien pään väliin (**suositeltava väli on vähintään 3 mm (1/8")**).

VAROITUS! ÄLÄ KOSKAAN käytä liimaa kiinnitystappilaitteessa; muusta kuin metallista valmistetut osat voivat kontaminoitua vahingoittua ja haurastua (murtua).

TÄRKEÄÄ! Ellei toisin vaadita, varmista **aina**, että asetukset on tehty **symmetrisesti** vasemmalle ja oikealle kiinnikkeelle.

4.0 MX2 -SELKÄNOJA – IRROTETTAVA ASENNUS

! TÄRKEÄÄ! Huomaa, että QR-kiinnikkeiden (A) löysäminen säätää samanaikaisesti MX2 -selkänöjan **leveyttä ja korkeutta**. Lue huolellisesti **kaikki ohjeet** ennen asennuksen aloittamista. Asennuksen aikana on suositeltavaa säätää yhtä kiinnikettä kerrallaan.

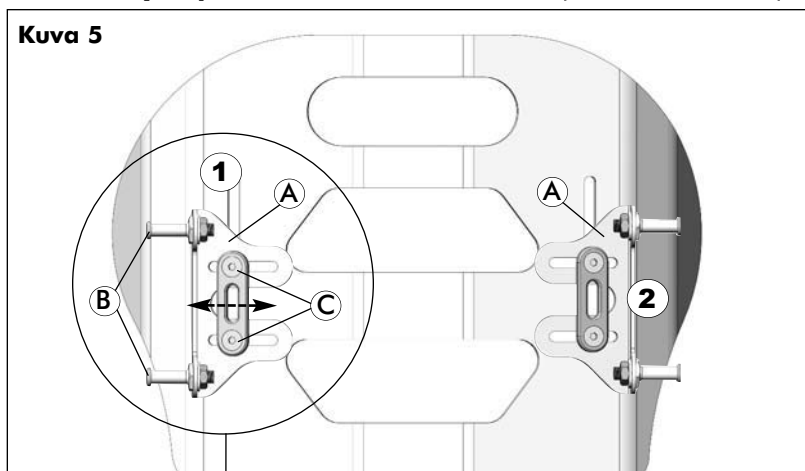
! HUOMAA

Molempien pikairrotettavien kiinnikkeiden (A) mukana toimitetaan esiasennetut kiinnitystapit (B) ja niissä on säädettävät aukot, joiden ansiosta MX2 -selkänöjan voi asentaa selkänöjakeppeihin, jotka ovat enintään 25 mm (1") **leveämmät tai 25 mm (1") kapeammat** kuin selkänöjan nimellisleveys.

- 1 Ennen Invacare® MatrX® MX2 -selkänöjan asennusta: (Katso **kuva 5**)
 - i. Keskity vain toiseen puoleen, löysää hiukan kiinnikkeen aluslevyä ja laitteistoa (C) niin, että QR-kiinnikettä (A) ja kiinnitystappeja (B) voidaan säätää sisään- tai ulospäin (1) (tarpeen mukaan) niiden kohdistamiseksi kepin puristimen kiinnityslevyjen kanssa, katso **vaihe 2. (Kuva 6a/6b)**
 - ii. Jätä toinen (vastakkainen) QR-kiinnikekokoontaso kiinni MX2 -suojakuoreen (2).

QR-kiinnitystapin/kiinnikkeen kohdistus (ennen asennusta)

Kuva 5



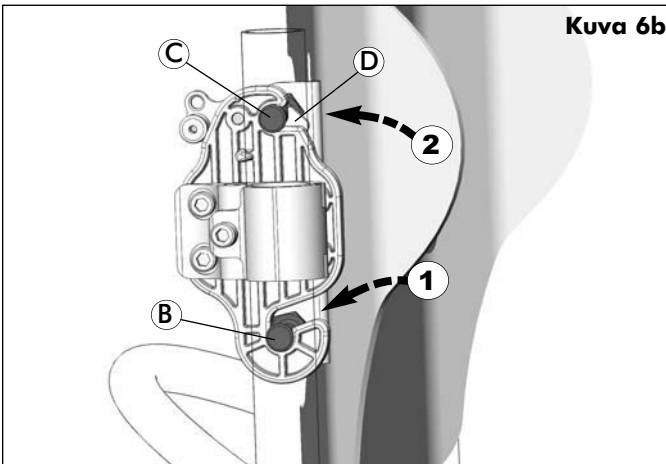
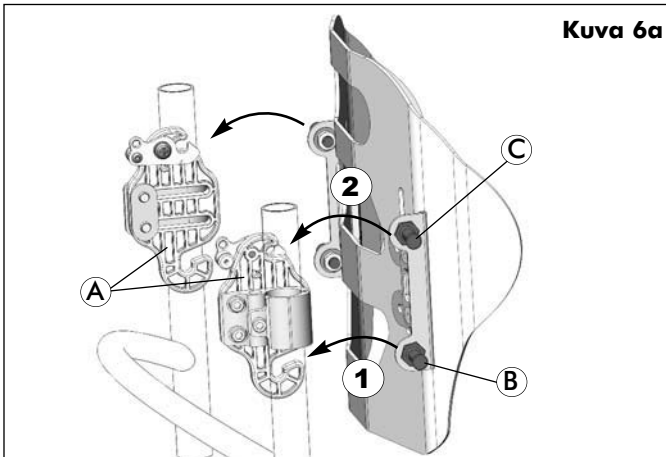
Löysää kiinnikkeen
kokoontaso
(vain toinen puoli)

4.0 MX2 -SELKÄNOJA – IRROTETTAVA ASENNUS

- 2 Asenna MX2 -selkänöja kiinnityslevyihin (A) seuraavasti: (Katso kuvat 6a ja 6b)
- Kohdista ja aseta alemmat kiinnitystapit (B) kunkin kiinnityslevyn alaosassa oleviin koukuilla varustettuihin reikiin (1).
 - Kun alemmat tapit ovat paikallaan, lukitse/napsauta ylemmät kiinnitystapit (C) kunkin kiinnityslevyn yläosassa olevaan salpamekanismiin (D) (2).

VAROITUS! Kun asennat MX2 -selkänöjaa, varmista aina, että molemmat salpamekanismit (D) ovat kunnolla kiinni ylemmissä kiinnitystapeissa.

MX2 -selkänöjan asentaminen kiinnityslevyihin



4.0 MX2 -SELKÄNOJA – IRROTETTAVA ASENNUS

4.7 MX2 -selkänöja: Leveys- ja korkeussäädöt

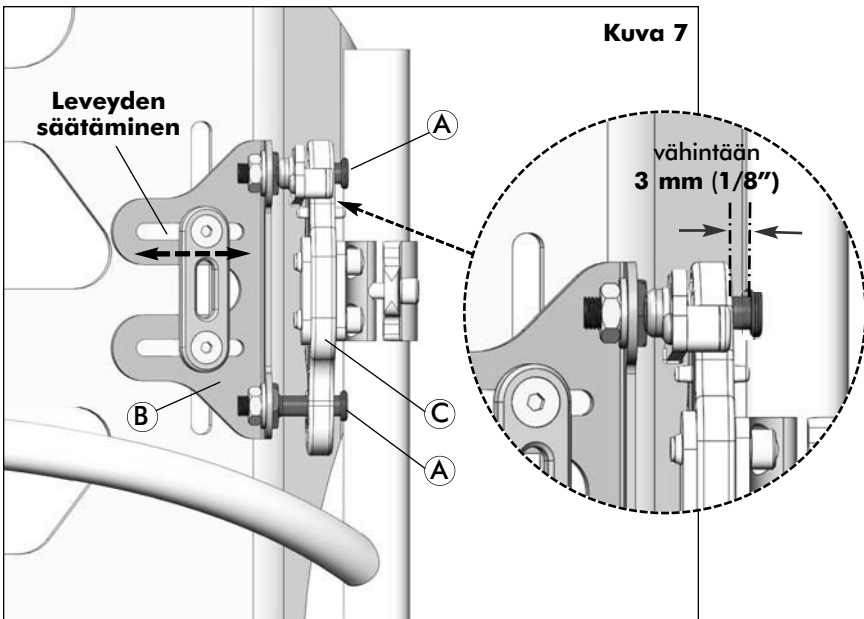
i TÄRKEÄÄ! Huomaa, että MX2 -selkänöjan **leveys ja korkeus** säädetään samanaikaisesti. Asennuksen aikana on suositeltavaa tehdä säädöt yhteen kiinnikkeeseen kerrallaan ja kiristää kiinnikettä kunkin säädön jälkeen vain sen verran, että ne eivät pääse liukumaan paikaltaan. Asennuslaitteet voidaan kiristää lopullisesti asennuksen/säätämisen lopussa.

1 **Kiinnitystappien leveyden säätäminen:** Kun MX2 -selkänöja on lukittu kiinnityslevyihin, säädä kiinnitystappien (A) leveys kussakin kiinnikkeessä (B) niin, että jää **vähintään 3 mm:n** (1/8":n) väli kiinnitystappien pään ja kiinnityslevyn ulkopinnan (C)* väliin. (Katso **kuva 7**).

***HUOMAA:** MX2 -selkänöjan vakioasennuksessa suojakuoren tulee olla leveyssäädön jälkeen keskitetysti selkänöjakeppien välissä. (Suojakuoren kiinnikkeet tulee säätää symmetrisesti)

2 Kiristä molempia kiinnikekokoospanoja vain sen verran, että ne eivät pääse liukumaan paikaltaan.

MX2:n asentaminen: Kiinnitystappien asennus / leveyden säätäminen

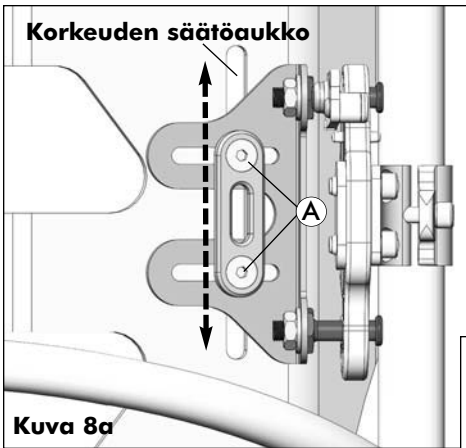


4.0 MX2 -SELKÄNOJA – IRROTETTAVA ASENNUS

- MX2:n korkeuden säätäminen:** MX2 -selkänöjan korkeutta voidaan säätää tarpeen mukaan MX2:n suojakuoren aukollisen kanavan avulla (katso kuva 8a). Suositeltu selkänöjan korkeus* on noin 13–15 cm (5”–6”) istuimen pinnasta (istuinpehmusteesta; katso kuva 8b).
- Työskentele yhden puolen parissa kerrallaan, löysää kiinnikelaitteisto (A) ja liu’uta MX2 -suojakuorta ylös-/alaspäin, kunnes selkänöja on halutulla korkeudella. **HUOMAA:** MX2 -selkänöjan korkeuden säätövara vaihtelee MX2:n suojakuoren korkeuden (aukon pituuden) mukaan, katso taulukko 1.0:
- Kiristä kiinnikelevy/laitteisto (A), jolloin MX2 -selkänöja kiinnittyy paikoilleen. Varmista, että asennustapin oikea leveys/asento säilyy (katso kuva 7). Toista sama selkänöjan korkeuden säätö vastakkaiselle kiinnikkeelle.
- Kun kaikki leveys- ja korkeussäädöt on tehty, kiinnitä kaikki laitteet kunnolla paikoilleen.

Huomaa:* Suositeltu MX2 -selkänöjan korkeus on vain ohjeellinen. Yksilölliset muutokset voivat olla tarpeen, katso seuraava **Tärkeää!-huomautus.

MX2:n asentaminen: Selkänöjan korkeuden säätäminen



Kuva 8a

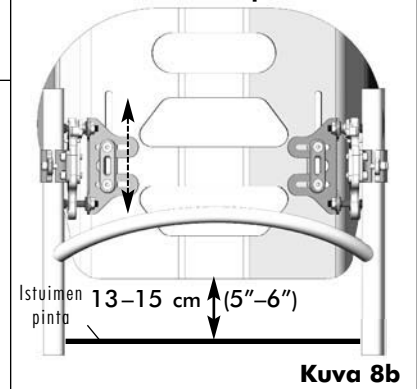
TÄRKEÄÄ!

Varmista aina, että selkänöjan alareuna sijaitsee anatomisesti suoliluun harjan takakärjen (SIPS) alapuolella. Jos sinulla on kysyttävää tai ongelmia selkänöjan oikeaan korkeuteen liittyen, pyydä lisätietoja palveluntarjoajalta ja/tai terveydenhoitoalan ammattilaiselta.

Taulukko 1.0:
MX2:n korkeuden (aukon)
säätäminen

Suojakuori Korkeus	Säätöalue
150 mm (6")	13 mm (1/2")
230 mm (9")	51 mm (2")
310 mm (12")	51 mm (2")
410 mm (16")	89 mm (3,5")

***Suositeltu selkänöjan korkeus**



Kuva 8b

4.0 MX2 -SELKÄNOJA – IRROTETTAVA ASENNUS

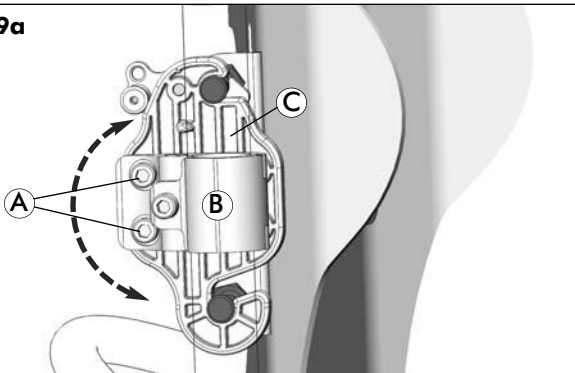
4.8 MX2 -selkänoja: Kulman ja syvyyden säädöt

TÄRKEÄÄ! Huomaa, että myös MX2 -selkänojan kulma ja syvyys säädetään samanaikaisesti. Näiden säätöjen helpottamiseksi kannattaa ensin löysätä molempien puristinkokoonpanojen säätölaitteet. (**Huomaa:** Vakioasennuksessa syvyyden ja kulman säädöt tulee tehdä symmetrisesti molemmille kiinnityslevyille).

- 1 **MX2:n kulman säätäminen:** Tarvittaessa MX2 -selkänojan kulmaa voidaan säätää kahdella syvyyden/kulman säätöruuvilla (A) kummassakin asennuskiinnikekokoonpanossa (B) (katso kuva 9a).
- 2 Löysää syvyyden/kulman säätöruuvit (x2) kummassakin kiinnikekokoonpanossa ja käännä kiinnityslevyä (C) eteen- tai taaksepäin niin, että selkänojan kulma on sopiva (kulman säätöalue = $\pm 15^\circ$, katso kuva 9b)

MX2:n asentaminen: Selkänojan kulman säätäminen

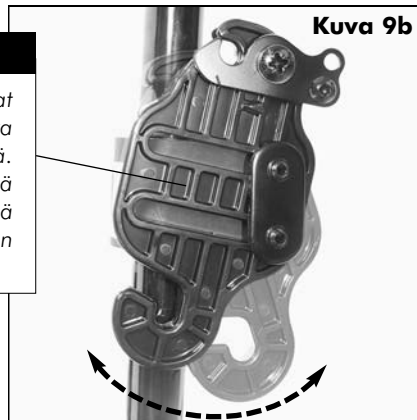
Kuva 9a



! HUOMAA

Kiinnityslevyjen muovatut pystysuorat urat on tarkoitettu viitepisteeksi, joka auttaa symmetrisessä säädössä. MX2 -selkänojan kulmaa säädettäessä pystysuoria viivoja voidaan käyttää helpottamaan samojen kulma-asetusten säätämistä molempiin kiinnityslevyihin.

Kuva 9b



Kulman säätäminen ($\pm 15^\circ$)

4.0 MX2 -SELKÄNOJA – IRROTETTAVA ASENNUS

- 3 **MX2:n syvyyden säätäminen:** MX2 -selkänöjan kokonaissyvyyttä hallitaan kahdella erillisellä säädöllä:

MX2:n kepin puristimien suunta: (katso myös luku 4.4)

MX2:n kepin puristimet (B) voidaan asentaa joko vakiosuunnassa (taaksepäin) tai käänteisessä suunnassa (eteenpäin), jos käytetään lyhyempiä istuinsyvyyskiä (katso kuva 10).

Takimmaisessa asennuksessa (1) selkänöjan syvyys = 44 mm (-1,75”).

Etummaisessa asennuksessa (2) selkänöjan syvyys = 57 mm (+2,25”).

(**Huomaa:** mitat on ilmoitettu suhteessa selkänöjakeppeihin ja ne on mitattu asennustapin sijaintikohdasta).

Etu- ja taka-asennon syvyyden enimmäissäätövara (takimmaisesta asennuksesta etummaiseen asennukseen) = 108 mm (4,25”).

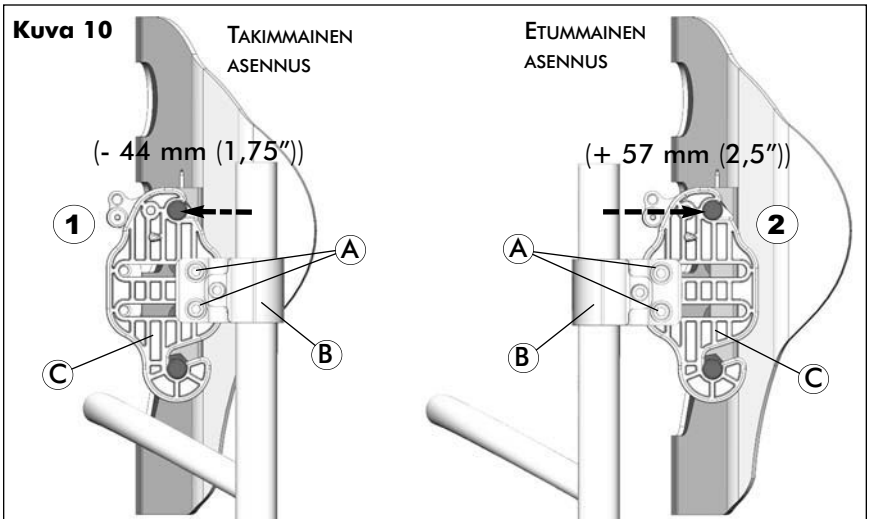
MX2:n kiinnityslevyn syvyyden säätäminen*:

MX2:n kiinnityslevyjen aukolliset kanavat (C) sallivat enimmäissäätövaralla jopa 44 mm:n (1,75”) syvyyssäädön (katso kuva 11 (s. 28)).

***HUOMAA:** Kiinnityslevyn syvyyden säätöalue on lyhyempi, kun MX2 -selkänöjan kulmaa on muutettu.

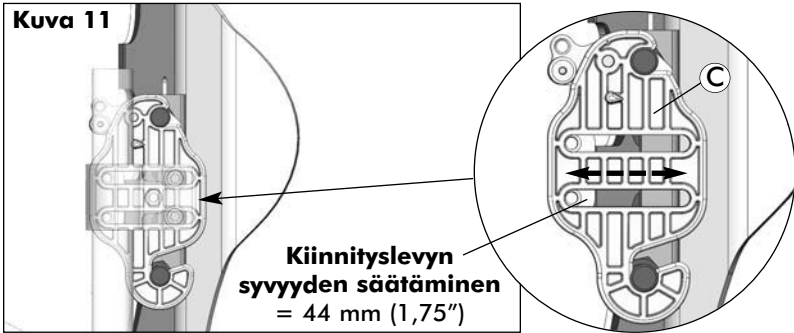
- 4 Voit säätää asentoa löysäämällä kaksi säätöruuvia (A) kummassakin kepin puristinkokoonpanossa ja liu’uttamalla kiinnityslevyjä (C) eteen- tai taaksepäin säätöaukkojen avulla niin, että selkänöja on halutulla syvyydellä.
- 5 Kun kaikki kulman ja syvyyden säädöt on tehty, kiinnitä **kaikki** laitteet kunnolla paikoilleen.

MX2:n asentaminen: Selkänöjan syvyyden säätäminen



4.0 MX2 -SELKÄNOJA – IRROTETTAVA ASENNUS

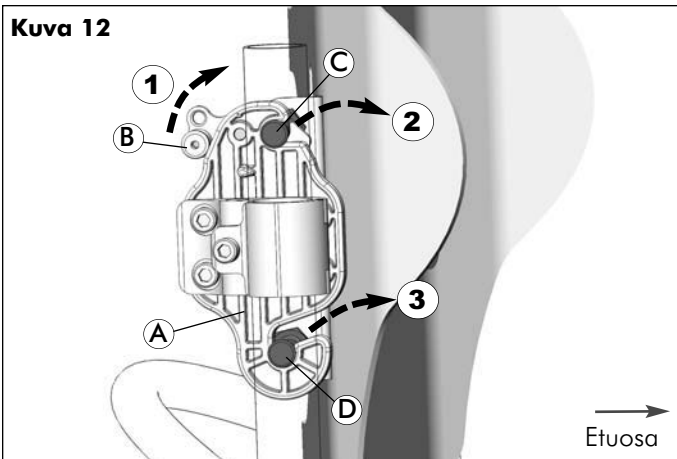
MX2:n asentaminen: Selkänöjan syvyyden säätäminen



4.9 MX2 -selkänöjan irrottaminen QR-laitteistosta

- 1 Poista/irrota MX2 -selkänöja kiinnityslevyistä (A) seuraavasti (katso kuva 12 jäljempänä):
 - i. Seiso pyörätuolin takana ja nosta **samanaikaisesti** salvan vapautusmekanismia (B) molemmissa kiinnityslevyissä (1);
 - ii. Kun salvat on avattu, työnnä MX2 -selkänöjan yläosaa eteenpäin (2), jolloin ylemmät kiinnitystapit (C) irtoavat kiinnityslevyistä (A).
 - iii. Kun ylemmät tapit on irrotettu, nosta MX2 -selkänöjaa ylös- ja eteenpäin (3), jolloin alemmat kiinnitystapit (D) irtoavat kiinnityslevyistä.

MX2 -selkänöjan poistaminen/irrottaminen



5.0 YLLÄPITO JA HUOLTO

5.1 Ylläpito ja peseminen:

i TÄRKEÄÄ! Kaikkien käytettyjen puhdistusaineiden ja desinfiointiaineiden täytyy olla tehokkaita ja yhteensopivia toistensa kanssa ja niiden täytyy suojata materiaaleja, joita niillä puhdistetaan.

! VAROITUS! Tuotteen vaurioitumisen vaara
ÄLÄ käytä valkaisuainetta, fenoleja tai alkoholeja sisältäviä puhdistusaineita.

Yleinen huolto ja puhdistus:

Suojus on helppo pyyhkiä kostealla pyyhkeellä tarvittaessa.

Pesuohjeet (ulkosuojus):

1. Irrota suojus varovasti vapauttamalla teippikoukku ja silmukkakiinnittimet suojakuooren ylä- ja alareunan ympäriltä ja sisältä.

HUOMAA: Sisempi vaahtopehmuste on irrotettava ennen puhdistusta.

2. Konepesu 60 °C:ssa käyttämällä hienopesua (katso ohjeet tuotekilvessä).

i TÄRKEÄÄ! Korkeammassa lämpötilassa peseminen voi aiheuttaa kutistumista

3. Ripusta suojus kuivumaan puhtaaseen sisätilaan;
tai

Kuivaa kuivausrummussa matalassa lämpötilassa.

i TÄRKEÄÄ!

- Kuivausrummun asetus saa olla enintään 40 °C.
- Kuivausrummussa saa kuivata enintään 10 minuuttia
- Kuivattava huolellisesti ennen kuin sovitetaan uudelleen vaahtoon
- Ei saa silittää
- Ei saa pestä kemiallisesti

5.2 Ylläpito ja tarkastaminen:

Kuukausittain: Osien, kuten laitteiden, kiinnikkeiden, pehmusteiden, vaahtojen ja muoviosien silmämääräinen tarkistus vääntymisen, ruostumisen, rikkoutumisen, kulumisen tai puristumisen varalta.

! VAROITUS! Vamman tai vaurion vaara

Tarkasta KAIKKI kiinnittimet kerran viikossa varmistaaksesi, että mekaaniset liitännät ja kiinnityslaitteet on kiristetty kunnolla.

ÄLÄ käytä tätä tuotetta, jos havaitaan ongelmia. Laitetoimittaja voi suorittaa tai järjestää korjauksen.

6.0 MX2 -VAIHTOEHDOT

6.1 Ristiselkätuen asentaminen/säätäminen (lisävaruste)

! HUOMAA

Ristiselkätuki on tehdasvalmisteinen vaahtopehmuste, joka tukee alaselkää ja lisää mukavuutta. Ristiselkätuen asentoa voi säätää Invacare® MatrX® MX2 -suojuksen sisällä (katso ohjeet alla) tai se voidaan poistaa, jos ristiselkätukea ei tarvita.

1. Pääset käsiksi ristiselkätukeen avaamalla ulomman suojuksen A koukku- ja silmukkakiinnitykset suojukuoren takana alaosassa.
2. Vaahtomuovinen ristiselkätuki B on asennettu Invacare® MatrX® MX2 -suojuksen sisälle selkänöjan pehmusteen C ja suojukuoren D väliin.
3. Ristiselkätuen korkeutta ja asentoa voidaan säätää vapaasti.
4. Kiinnitä suojus (koukuilla ja silmukoilla) takaisin taustalevyyn.

Ristiselkätuki



***HUOMAA:** Ristiselkätuen vaahtomuovia voidaan leikata/ muokata tarpeen mukaan käyttäjän tarpeisiin sopivaksi.



6.0 MX2 -VAIHTOEHDOT

6.2 Yksityisyysuoja (valinnainen) (myydään erikseen)

Yksityisyysuoja (myydään erikseen) on saatavilla kaikkiin vakiokokoiisiin MX2 -selkänöjiin. Kaikissa vakiokokoisissa selkänöjissä on pehmustesuojan takana alaosan poikki esiommettu silmukkanauha yksityisyysuojan asentamista varten.

Katso kaaviosta yksityisyysuojan oikea koko MX2 -selkänöjälle.

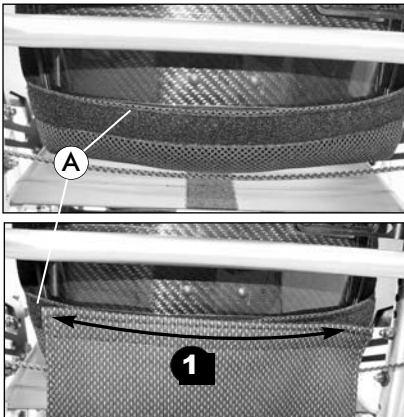
LEVEYS	YKSITYISYYSUOJA
36 cm (14 in)	PFLAP-XS 26 x 41 cm (10" x 16")
38 cm (15 in)	PFLAP-S
41 cm (16 in)	33 x 41 cm (13" x 16")
43 cm (17 in)	PFLAP-M
46 cm (18 in)	38 x 41 cm (15" x 16")



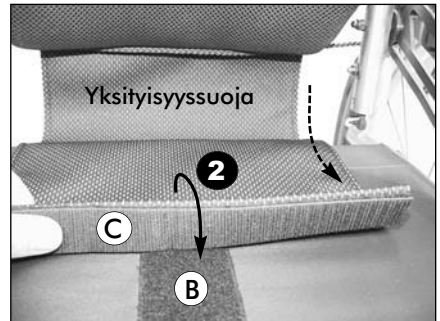
Asennusohjeet:

- Poista pyörätuolin istuinpehmuste (jos se on asennettu).
- Varmista, että selkänöja on säädetty halutulle korkeudelle. (Katso luku 4.0, kuva 8.)
- Seiso pyörätuolin takana (ja katso eteenpäin); kohdista/kiinnitä yksityisyysuojan koukkunauha MX2 -selkänöjan suojuksen (A) taakse alaosaan ommeltuun silmukkanauhaan. (Katso vaihe 1 jäljempänä).
- Vedä yksityisyysuojan vastakkainen (irtotonainen) pää selkänöjan suojukuoren alaosaan ja pyörätuolin istuimen välisestä aukosta.
- Kiinnitä yksityisyysuojan silmukkanauha pyörätuolin nostoliinaan tai istuinpehmusteeseen esiasennettuun tarranauhaan* (B). (Katso vaihe 2 jäljempänä).

***HUOMAA:** Jos pyörätuolin istuimeen on asennettu vastaava silmukkanauha, kiinnitä yksityisyysuoja mukana toimitetun kaksoiskoukkuovittimen (C) avulla.



NÄKYMÄ TAKAA



NÄKYMÄ EDESTÄ

matrix[®]
SEATING SERIES



Matrix MX2 ryggglene

for **FAST MONTERING** OG
AVTAKBAR MONTERING

MONTERING/OPPSETT

i **VIKTIG!** Monteringsinstruksjonene i denne håndboken bør bare utføres av kvalifiserte teknikere.

FORHANDLER: Denne bruksanvisningen MÅ bli gitt til brukeren av produktet.

BRUKER: Før du bruker produktet, må du lese denne bruksanvisningen. Ta deretter vare på den.



TRD0439 Rev B

GARANTI

OBS: GARANTIEN NEDENFOR ER UTARBEIDET FOR Å SAMSVARE MED FØDERAL LOVGIVNING SOM GJELDER FOR PRODUKTER PRODUSERT ETTER 4. JULI, 1975.

Garantien gjelder bare for den opprinnelige kjøperen/brukeren av produktene våre. Garantien gir deg bestemte juridiske rettigheter. Det er også mulig at du kan ha andre rettigheter, noe som kan variere fra delstat til delstat. Invacare/Motion Concepts garanterer at produktet er uten feil i materialer og utførelse i en periode på to år med bruk fra den opprinnelige kjøperen sin side. Garantien gjelder ikke for hull, flenger eller svimerker, og heller ikke for det avtakbare putetrekket. Dersom det i løpet av garantiperioden dokumenteres på tilfredsstillende måte overfor Invacare at et slikt produkt har mangler, skal produktet repareres eller erstattes, etter Invacares / Motion Concepts' valg, med overhalte eller nye deler. Garantien dekker ikke arbeid eller fraktkostnader som påløper ved montering av reservedel eller reparasjon av et slikt produkt. Produktreparasjoner skal ikke forlenge denne garantien – garantidekningen for det reparerte produktet skal opphøre samtidig som denne begrensede garantien opphører. Invacares / Motion Concepts' eneste forpliktelse og ditt eneste krav i henhold til denne garantien skal være begrenset til slik reparasjon og/eller omlevering. Henvendelser om garanti tjenester rettes til forhandleren som du har kjøpt produktet fra Invacare / Motion Concepts hos. Dersom du ikke mottar tilfredsstillende garanti tjeneste, kan du skrive direkte til Invacare / Motion Concepts med adressen på baksiden. Oppgi forhandlerens navn og adresse, modellnummer, kjøpsdato, en beskrivelse av mangelen og dersom produktet er serieprodusert: serienummeret.

Invacare Corporation / Motion Concepts utsteder en returgodkjenning. Den defekte enheten eller komponentene må returneres til garantiinspeksjon med et eventuelt serienummer som identifikasjon i løpet av tretti (30) dager fra datoen for returgodkjenningen.

ALDRI returner produkter til fabrikkens vår uten foregående godkjenning fra vår side.

Postoppkravforsendelser blir avvist; send kun pakker som du selv har betalt forsendelsen av.

BEGRENSNINGER OG FRASKRIVELSER: GARANTIEN SKAL IKKE GJELDE PROBLEMER SOM FORÅRSAKES AV NORMAL SLITASJE ELLER MANGLENDE ETTERLEVELSE AV MEDFØLGENDE INSTRUKSJONER. DEN NEVNTE GARANTIEN SKAL HELLER IKKE GJELDE FOR PRODUKTER MED SERIENUMRE DERSOM SERIENUMMERET HAR BLITT FJERNET ELLER VISKET UT; FOR PRODUKTER SOM HAR BLITT UTSATT FOR VANSKJØTSEL, UHELL, URIKTIG BRUK, URIKTIG VEDLIKEHOLD ELLER URIKTIG LAGRING; ELLER FOR PRODUKTER SOM HAR BLITT ENDRET UTEN UTTRYKkelig SKRIFTLIG SAMTYKKE FRA INVACARE / MOTION CONCEPTS, BLANT ANNET: ENDRING VED BRUK AV DELER ELLER FESTER SOM IKKE ER GODKJENT: PRODUKTER SOM HAR BLITT SKADET PÅ GRUNN AV REPARASJONER SOM HAR BLITT UTFØRT PÅ EN KOMPONENT UTEN SÆRSKILT SAMTYKKE FRA INVACARE / MOTION CONCEPTS; PRODUKTER SOM HAR BLITT SKADET PÅ GRUNN AV FORHOLD SOM LIGGER UTEFOR INVACARES / MOTION CONCEPTS KONTROLL; PRODUKTER SOM HAR BLITT REPARERT AV ANDRE ENN FORHANDLEREN FOR INVACARE / MOTION CONCEPTS. DEN KONKRETE VURDERINGEN AV OM SLIKE VILKÅR ER BRUTT, GJØRES ENE OG ALENE AV INVACARE/ MOTION CONCEPTS.

DEN NEVNTE GARANTIEN ER EKSKLUSIV OG ERSTATTER ALLE ANDRE UTTRYKkelige GARANTIER SOM MÅTTE VÆRE GITT, INKLUDERT UNDERFORSTÅTTE GARANTIER OM SALGBARHET OG EGNETHET FOR BESTEMTE FORMÅL. GARANTIEN SKAL IKKE GJELDE Lenger ENN DET SOM ER ANGITT FOR DEN UTTRYKkelige GARANTIEN SOM ER LAGT FREM HER, OG DE ENESTE KRAVENE VED BRUDD PÅ EVENTUELLE UNDERFORSTÅTTE GARANTIER SKAL VÆRE BEGRENSET TIL REPARASJON ELLER OMLEVERING AV DET DEFEKTE PRODUKTET I SAMSVAR MED VILKÅRENE FASTSATT HER. INVACARE / MOTION CONCEPTS SKAL IKKE UNDER NOEN OMSTENDIGHET KUNNE HOLDES ANSVARLIG FOR FØLGESKADER ELLER TILFELDIGE SKADER SOM KAN TILSKRIVES DETTE PRODUKTET. DENNE GARANTIEN ER UNDERLAGT LOKALE LOVER OG KRAV.

Denne bruksanvisningen kan ikke helt eller delvis reproduseres eller trykkes på nytt uten skriftlig samtykke fra Motion Concepts eller deres rettsgyldige representanter.

Bruksanvisningen bygger på de nyeste spesifikasjonene og produktopplysningene som var tilgjengelige på publiseringstidspunktet. Vi forbeholder oss rett til å gjøre alle nødvendige endringer etter hvert som de blir nødvendige. Eventuelle endringer i produktene våre kan forårsake små avvik mellom illustrasjonene og forklaringene i denne bruksanvisningen og produktet som du har kjøpt. Dersom du har spørsmål eller bekymringer knyttet til opplysningene som blir gitt i denne bruksanvisningen, kan du kontakte kundetserviceavdelingen vår for å få hjelp.


Motion Concepts LP Copyright © 2017


Innholdsfortegnelse


- 1.0 Generelle advarsler
- 2.0 Sikkerhetsinformasjon
- 3.0 Montering/justering av MX2 – **fast montering**
- 4.0 Montering/justering av MX2 – **avtakbar montering**
- 5.0 Instruksjoner for stell og vedlikehold
- 6.0 Tilbehør til MX2


SIKKERHETSSYMBOLER:

Riktig oppsett og sikker bruk av Invacare Matrix MX2 rygglene er avhengig av dømmekraften til deg selv og din leverandør, pleier og/eller helsepersonell. Symbolene nedenfor benyttes gjennom hele bruksanvisningen for å angi advarsler, forsiktig-meldinger og viktige merknader. Det er svært viktig at du leser disse og forstår innholdet i dem.

 **FORSIKTIG!** Dersom du ikke tar hensyn til forsiktig-meldingene i denne bruksanvisningen, kan det føre til skade på Matrix-seteproduktet.

 **ADVARSEL!** Hvis du ikke tar hensyn til advarslene i denne bruksanvisningen, kan det føre til personskaade.

 **VIKTIG!** Informasjon som det er viktig å huske på under monteringen og oppsettet av Matrix-seteproduktet.

 **VIKTIG!** Ytterligere sikkerhetsinformasjon, advarsler og forsiktig-meldinger knyttet til bruken av rullestolen, finner du i eier-/brukshåndboken for rullestolen.

1.0 GENERELLE ADVARSLER/OPPLYSNINGER

1.1 Oversikt

▲ BRUKERADVARSEL!

DU MÅ IKKE BRUKE DETTE PRODUKTET ELLER TILGJENGELIG TILLEGGSTUTSTYR UTEN FØRST Å HA LEST OG FORSTÅTT DENNE VEILEDNINGEN OG EVENTUELLE ANDRE INSTRUKSJONER, FOR EKSEMPEL BRUKERHÅNDBØKER, SERVICEHÅNDBØKER ELLER INSTRUKSJONSARK SOM FØLGER MED DETTE PRODUKTET ELLER TILLEGGSTUTSTYR. HVIS DU HAR PROBLEMER MED Å FORSTÅ ADVARSLENE ELLER INSTRUKSJONENE, TA KONTAKT MED EN KVALIFISERT PERSON I HELSEVESENEN, EN FORHANDLER ELLER TEKNISK PERSONELL FØR DU BRUKER DETTE UTSTYRET, FOR Å UNNGÅ PERSONSKADE ELLER SKADE PÅ UTSTYRET.

i VIKTIG INFORMASJON

Den beste måten å unngå problemer i forbindelse med trykksår på er å forstå hva som forårsaker dem, og din egen rolle i et hudbehandlingsprogram. Kontakt behandler og lege dersom du har spørsmål om individuelle begrensninger og behov.

Alle ryggputer skal velges etter nøye vurdering. Ved å samarbeide med behandler og lege kan du sørge for at putevalget er tilpasset dine individuelle behov på en god måte. Ettersom de individuelle behovene blir mer kompliserte, blir en slik vurdering enda viktigere.

Invacare® Matrx® MX2 rygglenere

Invacare® Matrx® MX2 rygglenene er formet for å gi nøyaktig tilpasning i rullestolen og dermed optimal holdningsstøtte. Skummet er overdimensjonert for å gi ekstra komfort og beskyttelse.

Invacare® Matrx® MX2 rygglenene leveres med en flyttbar korsryggspute i skum som kan monteres/plasseres bak den eksisterende skumputen for å gi ytterligere posisjoneringsmuligheter. Se **punkt 6.0 – Korsryggstøtte**.

Yttertrekket er laget av pustende nettingstoff som er kombinert med kunstskinn for å oppnå høy slitestyrke. Vi anbefaler at yttertrekket rengjøres og kontrolleres regelmessig. Se **punkt 5.0 – Stell og vedlikehold**.

1.2 Slitasjedeler

i VIKTIG! Deler og komponenter som normalt blir utsatt for slitasje, omfatter blant annet: alle polstrede deler, inkludert polstring i rygglenene og puter. Invacare forbeholder seg retten til å be om retur av enhver del som har en påstått mangel knyttet til utførelse. Informasjon om garantier finner du under **Garantibestemmelser** (baksiden).

Informasjon om nødvendig forebyggende vedlikehold og riktig bruk av produktet finner du i denne bruksanvisningen. Dette er bare en generell retningslinje og omfatter ikke varer som har blitt skadet som følge av feil bruk eller misbruk. Levetiden avhenger av flere faktorer.

1.3 Bruksområde

Våre Invacare® Matrx® MX2 rygglenere er laget for å gi nøyaktig tilpasning i rullestolen og dermed optimal holdningsstøtte.

2.0 SIKKERHETSINFORMASJON

2.1 Advarsler knyttet til transport!

⚠ ADVARSEL!

Fare for alvorlig personskade når brukeren transporteres i rullestol med montert Invacare® Matrx® MX2 rygglene i et motorkjøretøy.

- Så sant det er mulig, anbefaler Invacare at brukeren tas ut av rullestolen og settes i et bilsete med trepunkts sikkerhetsbelte.
- Invacare® Matrx® MX2 rygglenes kan bare brukes på rullestoler som oppfyller teltelskravene i RESNA WC19 eller ISO 7176-19.
- For sikker transport av brukeren i rullestol i et motorkjøretøy: se bruksanvisningen for rullestolen og festesystemet for rullestol og bruker (WTORS).

2.2 Generell sikkerhet

⚠ ADVARSEL! Fare for død, alvorlig personskade eller skade på utstyr

Uriktig bruk av dette produktet kan forårsake personskade eller skade på utstyr. Hvis du har problemer med å forstå advarslene eller instruksjonene, ta kontakt med helsepersonell eller en forhandler før du bruker dette utstyret. Du må IKKE bruke dette produktet eller tilgjengelig tilleggsutstyr uten først å ha lest og forstått disse instruksjonene og eventuelle andre veiledninger, for eksempel bruksanvisninger, servicehåndbøker eller instruksjonsark som følger med dette produktet eller tilleggsutstyr.

⚠ ADVARSEL! Fare for død, alvorlig personskade eller skade på utstyr

Tente sigaretter som faller på et polstret setesystem, kan forårsake brann som fører til død, alvorlig personskade eller skade på utstyr. Rullestolbrukere er særlig utsatt for risiko for død eller alvorlig personskade på grunn av slike branner og røykdannelsen som de fører til, fordi de kan være ute av stand til å bevege seg bort fra rullestolen.

- IKKE RØYK mens du bruker rullestolen.

⚠ ADVARSEL! Risiko for personskade

Invacare® Matrx®-produktene er utviklet og produsert spesielt for bruk sammen med Invacare® Matrx®-tilbehør. Tilbehør fra andre produsenter er ikke testet av Invacare og er ikke anbefalt for bruk sammen med Invacare® Matrx®-produkter.

⚠ ADVARSEL Risiko for personskade

Etter at et nytt setesystem er montert, bør hudtilstanden kontrolleres hyppig. Kontakt behandler og lege dersom du har spørsmål om individuelle begrensninger og behov. Ettersom de individuelle behovene blir mer kompliserte, blir en slik vurdering enda viktigere.

2.0 SIKKERHETSINFORMASJON

2.3 Advarsler knyttet til montering

⚠ ADVARSEL! Risiko for alvorlig personskade

Ved bestemmelse av monteringsposisjonen for Invacare® Matrix® MX2 ryggene må det påses at rullestolens stabilitet ikke blir negativt påvirket. Når rygglenets fremre og bakre posisjon justeres, endres brukerens tyngdepunkt i rullestolen. En tilbakeleant ryggposisjon kan redusere rullestolens stabilitet bakover betraktelig. På samme måte kan en mer foroverrettet ryggposisjon redusere rullestolens stabilitet forover.

⚠ ADVARSEL! Risiko for alvorlig personskade eller skade på utstyr

- Prosedyrene i denne håndboken må utføres av en kvalifisert tekniker.
- Påmontering av deler som sitter løst, kan føre til tap av stabilitet, noe som kan føre til alvorlig personskade eller skade på utstyr.
- Etter alle justeringer, reparasjoner eller service, og før bruk, må du kontrollere at alle deler er ordentlig festet.
- IKKE monter Invacare® Matrix® MX2 ryggene på ryggør som har en utvendig diameter som er større enn 1" (25 mm) eller mindre enn 3/4" (19 mm). Det kan ellers oppstå personskade eller skade på utstyr.
- Invacare® Matrix® MX2 ryggene er ikke beregnet på elektrisk drevne setesystemer.
- Monteringsposisjonen til et Invacare® Matrix® MX2 ryggene har direkte sammenheng med rullestolens stabilitet. Det kan være nødvendig å flytte de fremre svinghjulene, drivhjulene, rygg- og setevinkelen, ryggvinkelen og/eller setedybden før bruk.
- Kontroller at Invacare® Matrix® MX2 ryggene er forsvarlig festet til rullestolen før bruk. Det kan ellers oppstå personskade eller skade på utstyr.

⚠ ADVARSEL! Risiko for alvorlig personskade eller skade på utstyr

De medfølgende monteringsdelene har høy styrke og er testet for holdbarhet. **IKKE bruk andre deler.** Bruk kun de originale Matrix MX2-delene som følger med.

2.4 Ryggstørrelser/vektkapasitet:

OPPSATT MODELL	BESKRIVELSE	KONTURDYBDE	VEKTKAPASITET
IMX2bbhh	Matrix MX2 ryggene	3 in. (76 mm)	250 lbs / (113 kg)

* bbhh = bredde/høyde

Tilgjengelige : Bredde: 14–18" (355–460 mm)

størrelser Høyde: 6" (150 mm), 9" (230 mm), 12" (310 mm), 16" (410 mm)

Rådfør deg med forhandler eller behandler for å avgjøre hvilken rygglenemodell/-størrelse som passer for behovene dine. Ytterligere informasjon om Matrix-rygglenene våre, inkludert alle tilgjengelige modeller/størrelser, finner du på www.motionconcepts.com eller www.invacare.com.

3.0 MONTERING AV MX2 RYGGLENE – FAST MONTERING

3.1 Delesett for fast montering

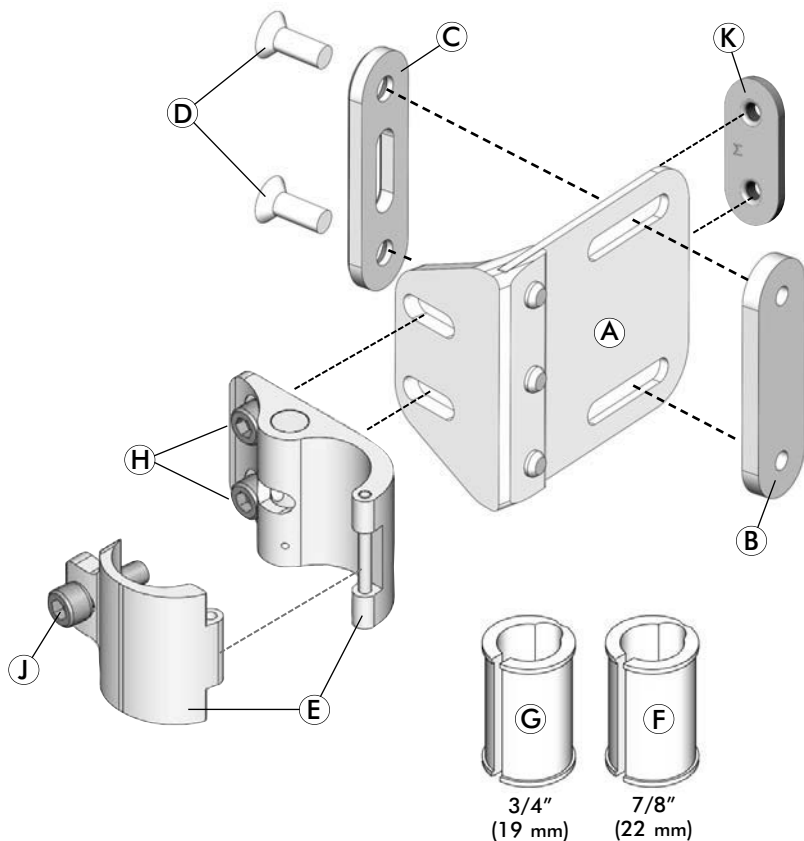
i) Festebrakett (monteres på MX2-rygglenet):

- | | |
|--|---|
| 2 – Monteringsbraketter (A) | 2 – Underlagsskiver for monteringsbrakett (C) |
| 2 – Mutterskiver for monteringsbrakett (B) | 4 – Skruer for monteringsbrakett (D) |

ii) Rørklemme (monteres på rullestolens rygggrør):

- | | |
|----------------------------------|---|
| 2 – Rørklemme (E) | 4 – Skruer for dybde-/vinkeljustering (H) |
| 2 – Rørforinger 7/8" (22 mm) (F) | 2 – Rørklemmeskruer (J) |
| 2 – Rørforinger 3/4" (19 mm) (G) | 2 – Mutterskiver for rørklemmer (K) |

(Illustrasjonen viser delesett for høyre side)



3.0 MONTERING AV MX2 RYGGLENE – FAST MONTERING

3.2 Nødvendig verktøy

Sekskantnøkkel (4 mm / 5 mm) (følger med)

Målebånd/linjal

! OBS

Dersom noen av festedelene som skal følge med, mangler, kan du kontakte den lokale representanten for Invacare / Motion Concepts for å få nødvendige erstatningsdeler.

3.3 Montering av monteringsbraketter på MX2:

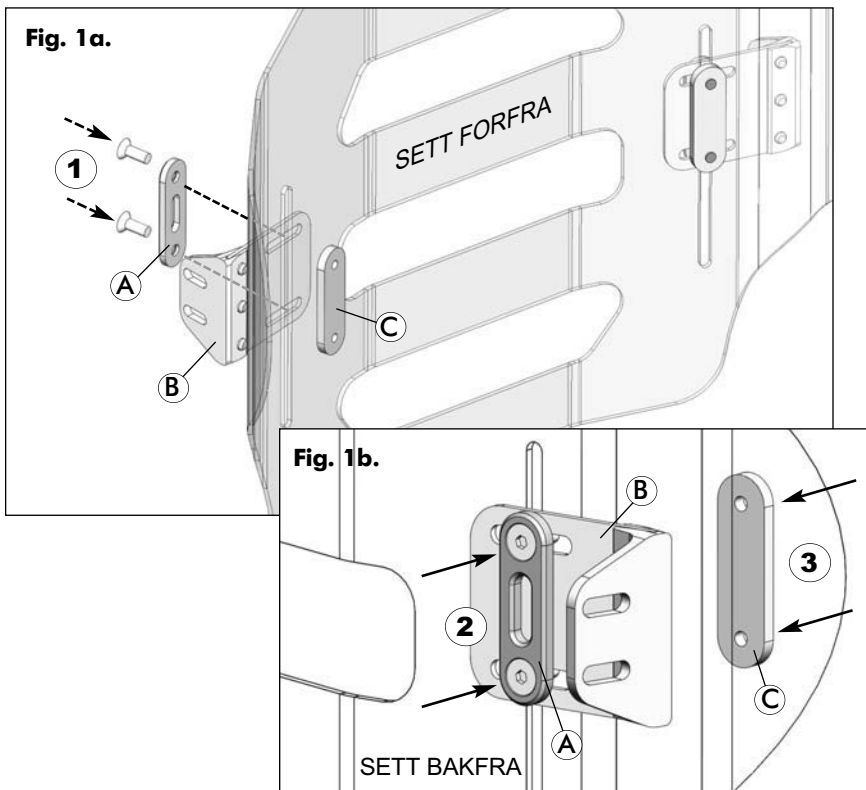
i OBS: Før montering av monteringsbraketter

Fjern eller løsne forsiktig MX2-trekket ved å løsne borrelåsene langs den øvre og nedre kanten og innsiden av rygglenet.

- 1 Arbeid fra én side av rygglenet, og monter monteringsbraketten på Invacare[®] Matrix[®] MX2-rygglenet på følgende måte:
 - Rett inn underlagsskiven (A) etter sporene i monteringsbraketten (B), og stikk skruene gjennom begge komponentene (1); (se fig. 1a)
 - Arbeid fra baksiden av rygglenet, og monter de 2 skruene som stikker ut av monteringsbraketten, gjennom det loddrette sporet i MX2-rygglenet (2); (se fig. 1b)
 - Fest monteringsbraketten til MX2-rygglenet ved å skru skruene inn i mutterskiven (C) på framsiden (innsiden) av rygglenet (3); (se fig. 1b)
- 2 Monter den gjenværende monteringsbraketten på motsatt side av rygglenet (i samsvar med **trinn 1** ovenfor).

3.0 MONTERING AV MX2 RYGGLENE – FAST MONTERING

Montering av monteringsbrakett



3.4 Før montering: MX2-rørklemmens retning:

i VIKTIG! Før MX2-rørklemmene monteres, må man først avgjøre hvilken retning klemmene skal stå i.

Ved et **standard oppsett** settes rørklemmene (A) sammen og monteres på ryggørerne i retning *bakover*. Et slikt oppsett gir maksimal tilgjengelig setedybde på rullestolen – se **fig. 2a**.

Ved et **omvendt oppsett*** dreies rørklemmene (A) 180° på ryggørerne. Et slikt oppsett gir minimalt tilgjengelig setedybde og plasserer MX2-rygglenet i en mer *foroverrettet* posisjon ved behov – se **fig. 2b**.

Rørklemmene (A) gir mulighet for 1,5" (38 mm) justering forover eller bakover (i forhold til ryggørret), avhengig av hvilket monteringsoppsett som velges.

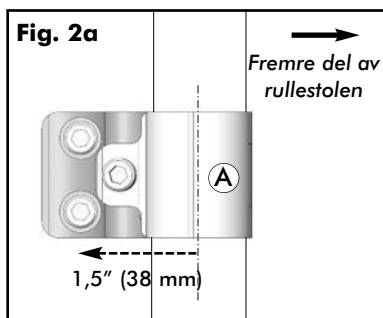
3.0 MONTERING AV MX2 RYGGLENE – FAST MONTERING

3.4 Før montering: MX2-rørklemmens retning: ... *forts.*

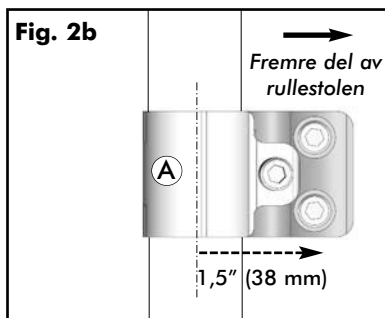
⚠ ADVARSEL! Risiko for alvorlig personskade

Ved bestemmelse av endelig monteringsposisjon for Invacare® Matrx® MX2 ryggene må det påses at rullestolens stabilitet ikke blir negativt påvirket. Når rygglenets fremre og bakre posisjon justeres, endres brukerens tyngdepunkt i rullestolen. En tilbakeleent ryggposisjon kan redusere rullestolens stabilitet bakover betraktelig. På samme måte kan en mer foroverrettet ryggposisjon redusere rullestolens stabilitet forover.

MX2-rørklemmens retning



**Standard oppsett
for rørklemmer
(maks. setedybde)**



**Omvendt oppsett
for rørklemmer
(min. setedybde)**

3.5 Montering av MX2-rørklemmer:

MX2-rørklemmene er laget for montering på ryggør med diameter på 1" (25 mm), 7/8" (22 mm) og 3/4" (19 mm). (Det følger med plastforinger (A) for montering på ryggør med liten diameter*).

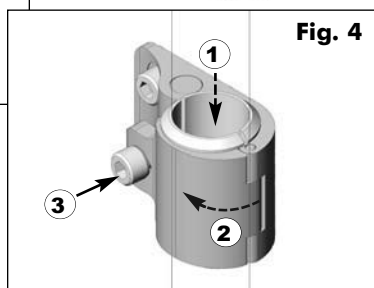
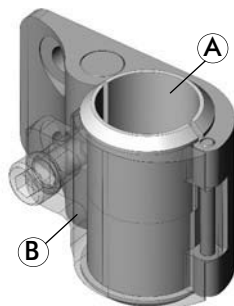
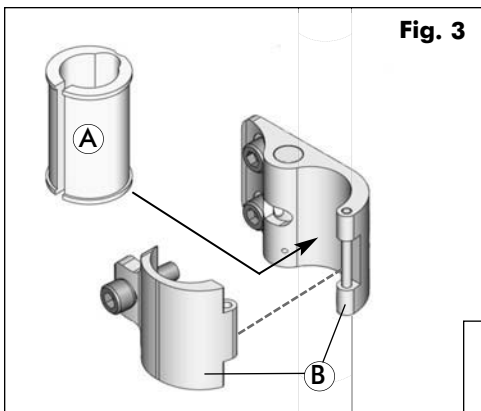
- 1 Fjern det eksisterende rygglenet på rullestolen (hvis aktuelt).
- 2 Monter rørklemmen løst (B) på hvert av ryggørene i ønsket retning – se fig. 3 og fig. 4 for en monteringsoversikt.

*Tilpasning til ryggør av ulik størrelse:

- 1" (25 mm) rør – krever ingen plastforinger
- 7/8" (22 mm) rør – monter 7/8" (22 mm) plastforinger (x2)
- 3/4" (19 mm) rør – monter 3/4" (19 mm) plastforinger (x2)

3.0 MONTERING AV MX2 RYGGLENE – FAST MONTERING

Montering av MX2-rørklemmer



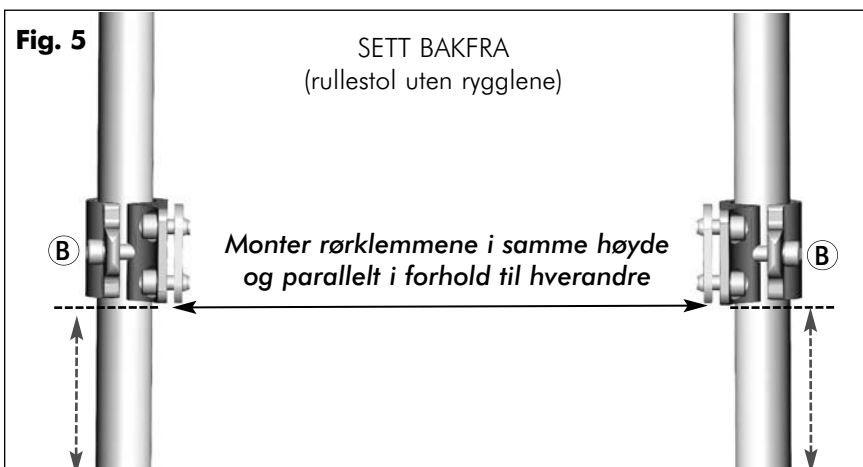
NYTTIG TIPS

Du kan lage en sikker og sklisikker sammenføyning ved å sprøye en liten mengde hårspray på ryggørerne og på innsiden av plastforingene.

- 3 Begynn på den ene siden og skyv/juster rørklemmen (B) til ønsket høyde/posisjon på ryggørret, og fest den slik at den holder seg på plass.

OBS: Den endelige høyden kan finjusteres etter at du har montert MX2-rygglenet på ryggørerne (se fig. 5)

Høydejustering av MX2-rørklemmer



3.0 MONTERING AV MX2 RYGGLENE – FAST MONTERING

3.5 Montering av MX2-rørklemmer: (... forts.)

- 4 Fra et fast punkt på rullestolen (f.eks. seterammen/avstiverstaget) måler du høyden på den første rørklemmen (B) og fester den andre rørklemmen (B) i samme høyde på motsatt ryggjør (se fig. 5)

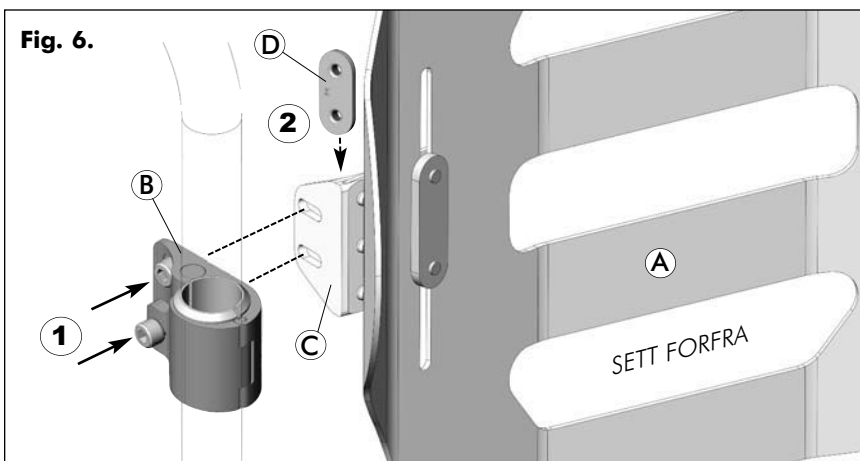
OBS: Kontroller at de monterte rørklemmene står parallelt i forhold til hverandre.

3.6 Montere MX2-rygglenet på rørklemmer for fast montering:

- 1 Arbeid fra én side av rygglenet, og monter Matrix MX2-rygglenet (A) på rørklemmene* (se fig. 6):
- Rett inn de 2 monterings-skruene i rørklemmen (B) etter de tilhørende sporene i MX2-monteringsbraketten (C) (1).
 - Fest rørklemmen til MX2-festebraketten ved hjelp av den gjengede mutterskiven (D) som følger med (2).
 - Gjenta trinn (1) og (2) for å feste MX2-rygglenet til rørklemmen på motsatt side.

***OBS:** Før Matrix MX2-rygglenet monteres på rørklemmene, bør monteringsbrakettene løsnes litegrann for å gjøre det enklere å utføre justeringen og monteringen av rygglenet. Mer detaljerte instruksjoner om justering av bredde/høyde finner du i punkt 3.7 (fig. 8)

Montering av MX2-rygglenet: Delesett for FAST montering



3.0 MONTERING AV MX2 RYGGLENE – FAST MONTERING

3.7 Justering av MX2 fast rygglene:

i VIKTIG! MX2 monteringsbraketter er laget for montering på ryggør som er opptil 1" (25 mm) bredere eller 1" (25 mm) smalere enn den nominelle rygglenebredden. Ved et standard oppsett bør MX2-rygglenet monteres symmetrisk (sentrert) mellom ryggørene.

i VIKTIG! Brukeren bør sitte i rullestolen under oppsettet for at avgjørelsene om rygglenets dybde, høyde og vinkel skal bli optimale.

- 1 Når MX2-rygglenet er montert på rullestolen (rørklemmene), kan MX2-rygglenets endelige dybde, høyde og ryggvinkel justeres ytterligere etter sluttbrukeren:
 - i. **Dybdejustering:** Dybden til MX2-rygglenet (i forhold til ryggørene) reguleres ved hjelp av to separate justeringer:

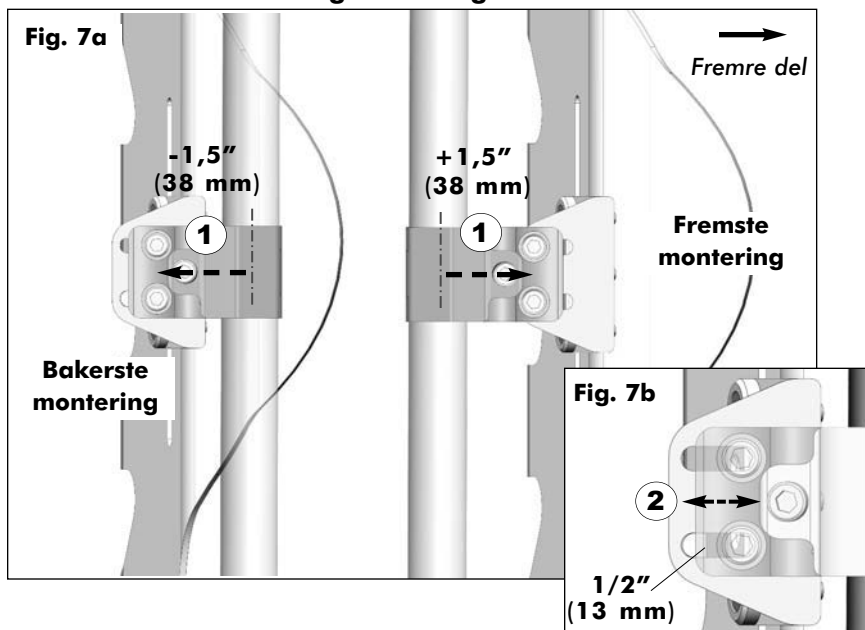
MX2-rørklemmens retning: (se også **punkt 3.4**)
Retningen til MX2-rørklemmene (fremste eller bakerste montering) vil endre rygglenet posisjon (+/- 1,5" (38 mm)) i forhold til ryggørene (1). Se **fig. 7a**.
Maksimal dybdejustering forover og bakover for MX2 delesett for fast montering = 3" (76 mm) (+/- 1,5" (38 mm)).

MX2 monteringssskiver:
Sporene i MX2-monteringssskivene gir opptil 1/2" (13 mm) dybdejustering (2) innenfor det maksimale justeringsområdet. Se **fig. 7b**.
 - ii. **Justering av bredde/høyde:** Finjusteringer av bredde kan foretas ved hjelp av de vannrette sporene i MX2-festebrakettene (1), slik at det kan tas hensyn til variasjoner i bredden på ryggør. Høyden på MX2-rygglenet (i forhold til rørklemmene) kan justeres ved hjelp av de loddrette sporene i MX2-rygglenet (2). Sporelengden (høydejusteringen) kan variere avhengig av størrelsen (høyden) til rygglenet. Se **fig. 8a** og **8b**.
 - iii. **Vinkeljustering:** Ryggvinkelen kan justeres $\pm 15^\circ$ ved å rotere rygglenet forover (1) eller bakover (2) i sporene på MX2-festebrakettene. Se **fig. 9**.
- 2 Kontroller at rygglenets komfort, tilpasning og justering på rullestolen er riktig for brukeren. Foreta ytterligere justeringer etter behov.
- 3 Fest alle monteringsdeler forsvarlig, og sjekk at MX2-festebrakettene/-rørklemmene ikke sklir eller roterer ut av stilling.

3.0 MONTERING AV MX2 RYGGLENE – FAST MONTERING

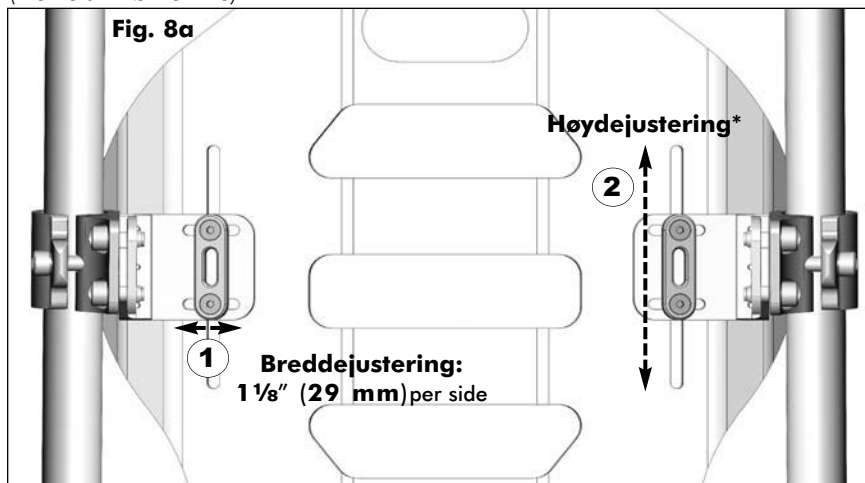
i VIKTIG! Med mindre det er behov for noe annet, skal **alle** justeringer av dybde, høyde og vinkel utføres symmetrisk på de venstre og høyre monteringsskivene.

MX2 med fast montering: Justering av DYBDE



MX2 med fast montering: Justering av BREDDE/HØYDE

(i forhold til rørklemme)



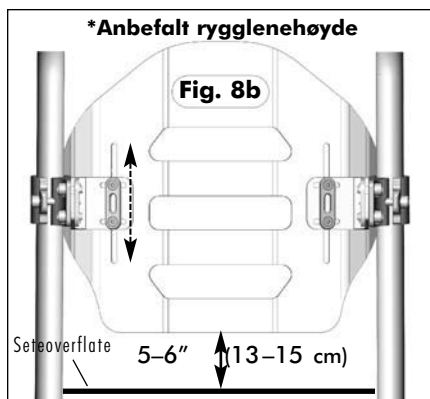
3.0 MONTERING AV MX2 RYGGLENE – FAST MONTERING

***OBS:** MX2-rygglens høydejustering vil variere med høyden (sporlengden) til MX2-rygglenet – se tabell 1.0:

Tabell 1.0:
Høydejustering (spor) av MX2

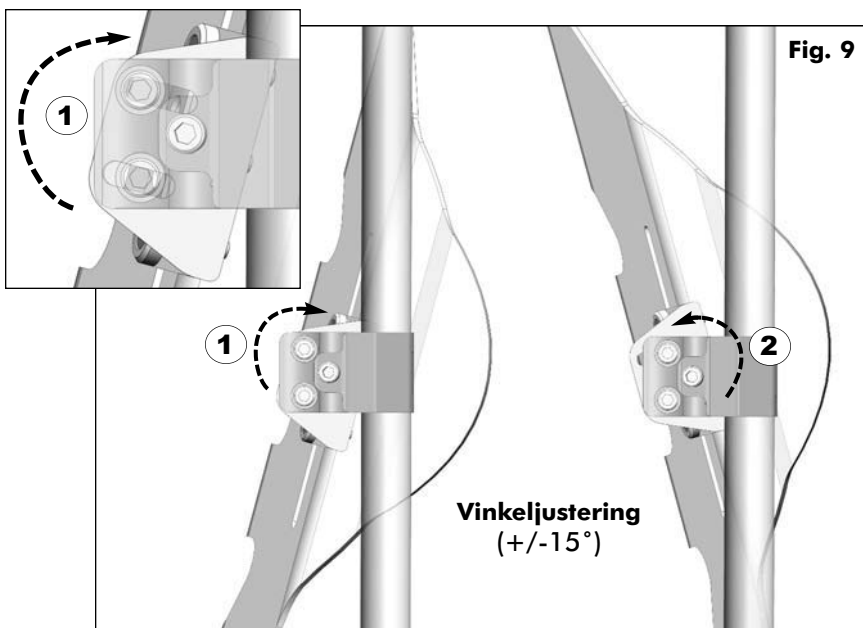
Rygglene-høyde	Justerings-område
6" (150 mm)	1/2" (13 mm)
9" (230 mm)	2" (51 mm)
12" (310 mm)	2" (51 mm)
16" (410 mm)	3,5" (89 mm)

***OBS:** Anbefalt høyde for MX2-rygglenet er bare ment som en retningslinje. Små avvik fra anbefalingen kan være nødvendig – se **Viktig!**-merknaden nedenfor.



i VIKTIG! Påse alltid at den nederste delen av rygglenet anatomisk befinner seg nedenfor spina iliaca posterior superior (SIPS). Dersom du har spørsmål eller bekymringer knyttet til riktig høyde for rygglenet, kan du kontakte leverandøren og/eller helsepersonell for å få faglige råd.

MX2 med fast montering: Justering av RYGGVINKEL

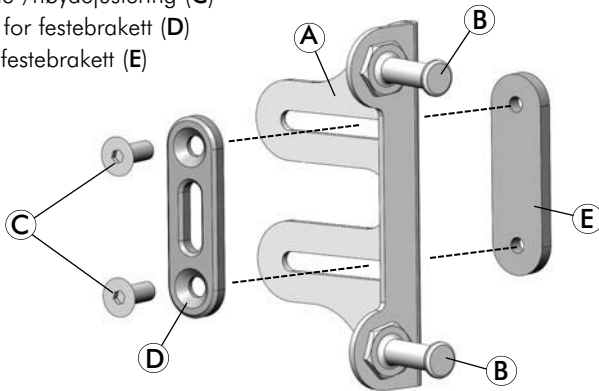


4.0 MONTERING AV MX2 RYGLENE – AVTAKBAR MONTERING

4.1 Delesett for avtakbar montering (hurtigkobling):

i) Festebrakett for hurtigkobling (monteres på MX2-rygglenet) :

- 2 – MX2-festebraketter for hurtigkobling (A)
- 4 – Festebolter for hurtigkobling (B)
- 4 – Skruer for bredde-/høydejustering (C)
- 2 – Underlagsskiver for festebrakett (D)
- 2 – Mutterskiver for festebrakett (E)

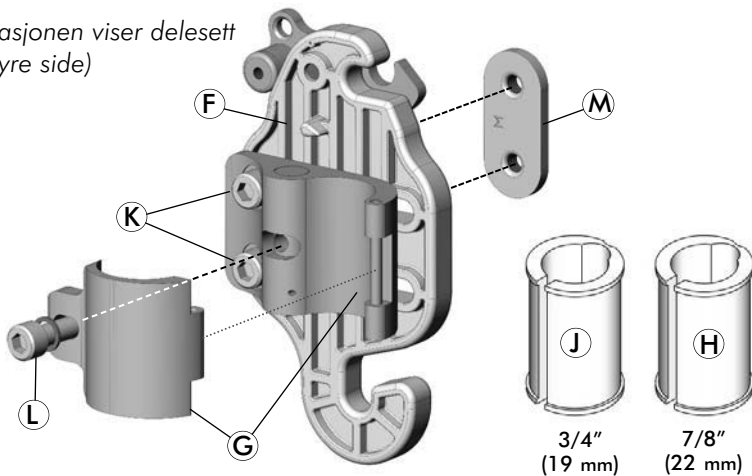


(Illustrasjonen viser delesett for høyre side)

ii) Rørklemme (monteres på rullestolens ryggrør):

- 2 – Mini-monteringsplater (F)
- 2 – Rørklemme (G)
- 2 – Rørforinger 7/8" (22 mm) (H)
- 2 – Rørforinger 3/4" (19 mm) (J)
- 4 – Skruer for dybde-/vinkeljustering (K)
- 2 – Rørklemmeskruer (L)
- 2 – Mutterskiver for rørklemmer (M)

(Illustrasjonen viser delesett for høyre side)



4.0 MONTERING AV MX2 RYGGLENE – AVTAKBAR MONTERING

4.2 Nødvendig verktøy

Sekskantnøkkel (4 mm / 5 mm) (følger med)

Målebånd/linjal

! OBS

Dersom noen av festedelene som skal følge med, mangler, kan du kontakte den lokale representanten for Invacare / Motion Concepts for å få nødvendige erstatningsdeler.

4.3 Montering av festebraketter for hurtigkobling på MX2:

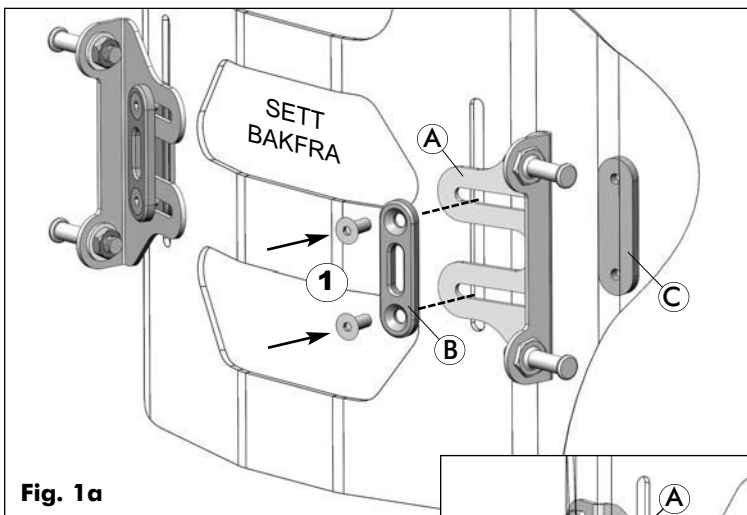
i **OBS: Før montering av festebraketter for hurtigkobling (QR)**

Fjern forsiktig MX2-trekket ved å løsne borrelåsene langs den øvre og nedre kanten og innsiden av rygglenet.

- 1 Arbeid fra én side av rygglenet, og monter festebraketten for hurtigkobling (A) på Matr[®] MX2-rygglenet på følgende måte:
 - Rett inn underlagsskiven (B) etter sporene i festebraketten (A), og stikk skruene gjennom begge komponentene (1); (se fig. 1a (s. 18))
 - Arbeid fra baksiden av rygglenet, og monter de 2 skruene som stikker ut av monteringsbraketten, gjennom det loddrette sporet i MX2-rygglenet (2); (se fig. 1b)
 - Fest festebraketten til MX2-rygglenet ved å skru skruene inn i mutterskiven (D) på framsiden (innsiden) av rygglenet (3); (se fig. 1b)
- 2 Monter den gjenværende festebraketten for hurtigkobling (A) på motsatt side av rygglenet (i samsvar med **trinn 1** ovenfor).

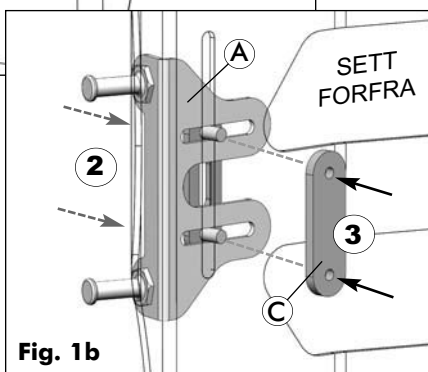
4.0 MONTERING AV MX2 RYGGLENE – AVTAKBAR MONTERING

Montering av festebraketter for hurtigkobling



NYTTIG TIPS

Festebrakettene/delene for hurtigkobling kan monteres løst på MX2-rygglenet for å forenkle justeringen (bredde/høyde) av brakettene når de monteres på MX2-monteringsplatene.



4.4 Før montering: MX2-rørklemmens retning

ⓘ VIKTIG! Før MX2-rørklemmene monteres, må man først avgjøre hvilken retning klemmene skal stå i.

⚠ ADVARSEL! Risiko for alvorlig personskaade

Ved bestemmelse av endelig monteringsposisjon for Invacare® Matrix® MX2 rygglene må det påses at rullestolens stabilitet ikke blir negativt påvirket. Når rygglenets fremre og bakre posisjon justeres, endres brukerens tyngdepunkt i rullestolen. En tilbakeleent ryggposisjon kan redusere rullestolens stabilitet bakover betraktelig. På samme måte kan en mer foroverrettet ryggposisjon redusere rullestolens stabilitet forover.

4.0 MONTERING AV MX2 RYGGLENE – AVTAKBAR MONTERING

Ved et **standard oppsett** settes MX2-rørklemmene (A) og monteringsplatene (B) sammen og monteres på ryggørerne i retning bakover. Et slikt oppsett gir maksimal tilgjengelig setedybde på rullestolen – se **fig. 2**.

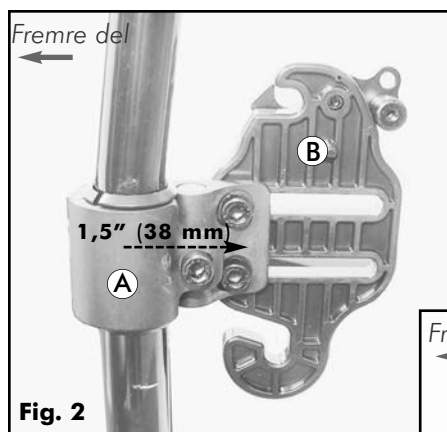
Ved et **omvendt oppsett*** dreies rørklemmene (A) 180° på ryggørerne. Et slikt oppsett gir minimalt tilgjengelig setedybde og plasserer MX2-ryggletet i en mer foroverrettet posisjon ved behov – se **fig. 3**.

Rørklemmene (A) gir mulighet for **1,5" (38 mm)** justering forover eller bakover (i forhold til ryggørret), avhengig av hvilket monteringsoppsett som velges.

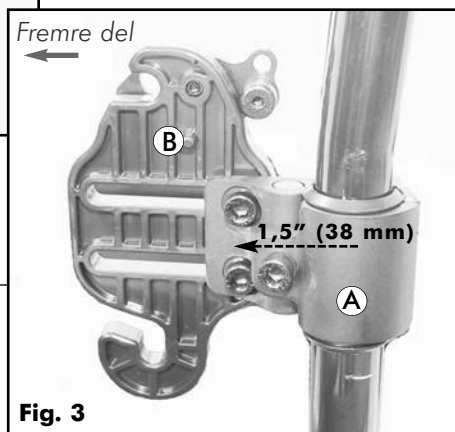
OBS: Se **punkt 4.8** for mer detaljerte instruksjoner om dybdejustering av MX2 avtakbar montering .

***Vende monteringsplaten/rørklemmen i retning forover:**

- 1 Demonter monteringsplaten (B) fra rørklemmen (A) (2 skruer);
- 2 Drei rørklemmen (A) 180°, og monter deretter monteringsplaten på nytt (B) i samme retning (som vist i **fig. 3**)



**Standard oppsett
for rørklemmer
(maks. setedybde)**



**Omvendt oppsett
for rørklemmer
(min. setedybde)**

4.0 MONTERING AV MX2 RYGGLENE – AVTAKBAR MONTERING

4.5 Montering av MX2-rørklemmer/-monteringsplater:

MX2-rørklemmene er laget for montering på ryggør med diameter på 1" (25 mm), 7/8" (22 mm) og 3/4" (19 mm). (Det følger med plastforinger (A) for montering på ryggør med liten diameter*).

- 1 Fjern det eksisterende ryggenet på rullestolen (hvis aktuelt).
- 2 Monter rørklemmen løst (B) på hvert av ryggørene i ønsket oppsett – se fig. 4 og fig. 5 for en monteringsoversikt.

*Tilpasning til ryggør av ulik størrelse:

- 1" (25 mm) rør – krever ingen plastforinger
- 7/8" (22 mm) rør – monter 7/8" (22 mm) plastforinger (x2)
- 3/4" (19 mm) rør – monter 3/4" (19 mm) plastforinger (x2)

Montering av MX2-rørklemmer

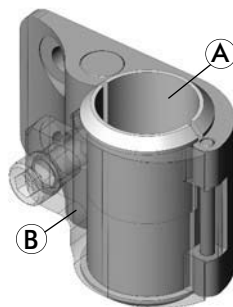
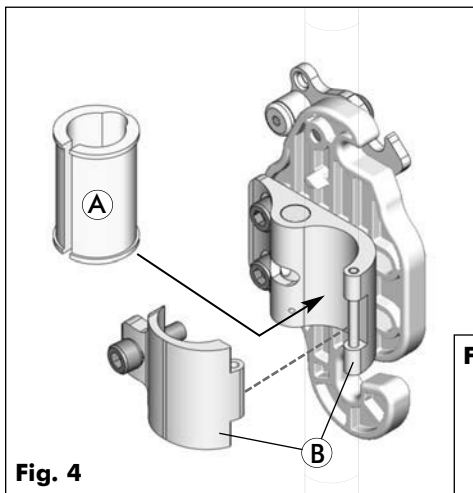
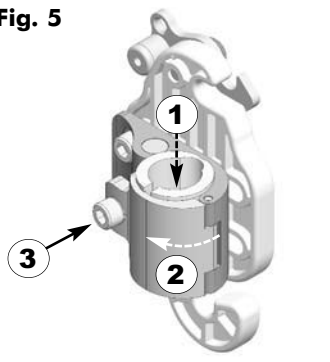


Fig. 5



NYTTIG TIPS

Du kan lage en sikker og sklisikker sammenføyning ved å sprøye en liten mengde hårspray på ryggørene og på innsiden av plastforingene.

4.0 MONTERING AV MX2 RYGGLENE – AVTAKBAR MONTERING

- 3 Begynn på den ene siden og skyv/juster rørklemmen (B) til ønsket høyde/posisjon på ryggørret, og fest den deretter på plass.

OBS: Den endelige høyden kan finjusteres etter at du har montert MX2-rygglenet på monteringsplatene

- 4 Fra et fast punkt på rullestolen (f.eks. seterammen/avstiverstaget) måler du høyden på den første rørklemmen og fester den andre rørklemmen i samme høyde på motsatt ryggør – se fig. 6 nedenfor.

OBS: Kontroller at de monterte rørklemmene/monteringsplatene står parallelt i forhold til hverandre.

Høydejustering av MX2-rørklemmer/-monteringsplater



4.6 Montere MX2-ryggene på hurtigkobling

⚠ ADVARSEL! Feil oppsett av monteringsbolter kan føre til skade på ryggplaten og/eller monteringsplatene. Sørg for at det er tilstrekkelig klaring mellom monteringsplaten og hodet på festeboltene (minst 1/8" (3 mm) er anbefalt).

⚠ ADVARSEL! Bruk ALDRI Loctite på festedeler; ikke-metalliske komponenter kan brytes ned og bli sprø (bryte sammen) dersom de forurenses.

📌 VIKTIG! Med mindre noe annet er nødvendig, skal alle justeringer **alltid** utføres **symmetrisk** på de venstre og høyre festebrakettene.

4.0 MONTERING AV MX2 RYGGLENE – AVTAKBAR MONTERING

i VIKTIG! Vær oppmerksom på at en løsning av festebrakettene for hurtigkobling (A) samtidig vil føre til en justering av **bredden og høyden** til MX2-rygglenet. Les gjennom **alle instruksjoner** før monteringen starter. Vi anbefaler at man under monteringen utfører justering av én festebrakett om gangen.

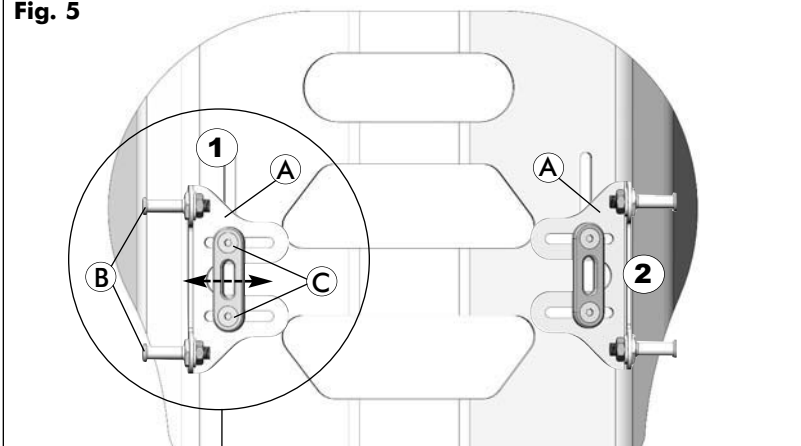
! OBS

Alle festebraketter for hurtigkobling (A) leveres med forhåndsmonterte festebolter (B) og er laget med breddejusteringsspor som gjør det mulig å montere MX2-rygglener på ryggør som er opptil **1" (25 mm) bredere eller 1" (25 mm) smalere** enn den nominelle rygglenebredden.

- 1 Før montering av Invacare® Matrx® MX2 rygglene: (se **fig. 5**)
 - i. Arbeid bare på én side, og løsne underlagsskiven og delene (C) på festebraketten, slik at festebraketten for hurtigkobling (A) og festeboltene (B) kan justeres innover og utover (**1**) (etter behov) og dermed rettes inn etter monteringsplatene for rørklemmene – se **trinn 2 (fig. 6a/6b)**.
 - ii. La den gjenværende (motsatte) festebraketten for hurtigkobling forbli festet til MX2-rygglenet (**2**).

Innretting av festebolt/festebrakett for hurtigkobling (før montering)

Fig. 5



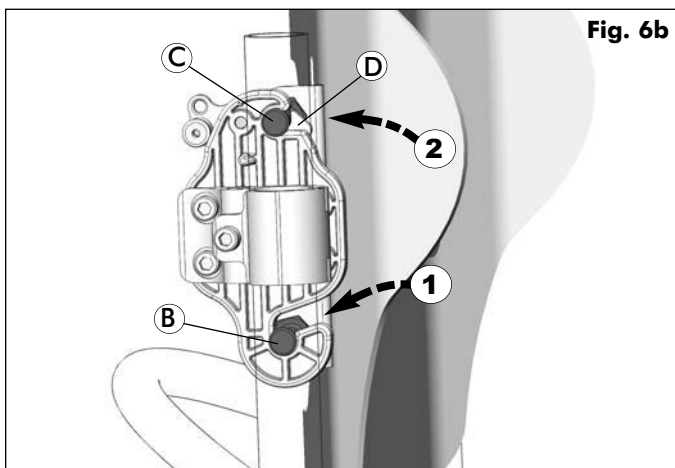
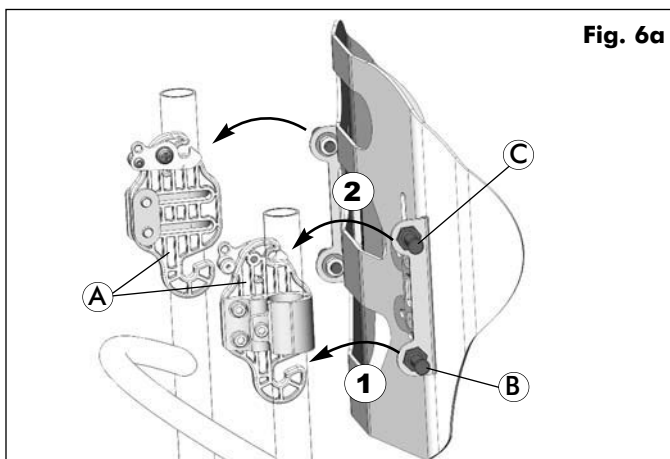
Løsne
festebraketten
(bare på én side)

4.0 MONTERING AV MX2 RYGGLENE – AVTAKBAR MONTERING

- 2 Monter MX2-rygglenet på monteringsplatene (A) på følgende måte: (se fig. 6a og 6b)
 - i. Rett inn og sett de nedre festeboltene (B) inn i de krokformede sporene nederst på hver monteringsplate (1).
 - ii. Når de nedre boltene er på plass, låses/klemmes de øvre festeboltene (C) inn i låsemekanismen (D) øverst på hver monteringsplate (2).

⚠ ADVARSEL! Ved montering av MX2 ryggene, må du alltid sørge for at begge låsemekanismene (D) griper helt rundt de øvre festeboltene.

Montering av MX2 ryggene på monteringsplater



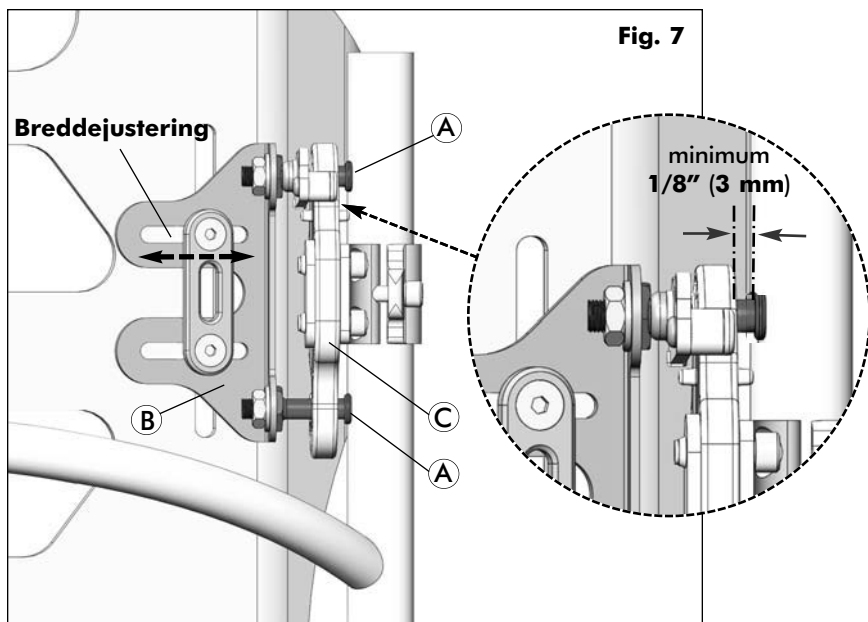
4.0 MONTERING AV MX2 RYGGLENE – AVTAKBAR MONTERING

4.7 MX2 ryggene: Bredden- og høydejusteringer

i VIKTIG! Vær oppmerksom på at justeringer av **bredde og høyde** på MX2 ryggene utføres samtidig. Under montering anbefaler vi at én brakett justeres om gangen, og at hver brakett festes akkurat nok til at den ikke beveger seg etter hver justering. Festedelene kan strammes helt til når monteringen/oppsettet er fullført.

- 1 Breddenjustering av festebolt:** Med MX2-rygglenet låst i monteringsplatene, justerer du bredden til festebolten (A) på hver festebrakett (B), slik at det blir en **minimumsklaring på 1/8" (3 mm)** mellom hodet på festeboltene og monteringsplatens utside (C)*. (Se fig. 7.)
***OBS:** Ved standardmontering av et MX2-ryggene bør rygglenet forbli sentrert mellom ryggrorene etter en breddejustering. (Festebraketter bør justeres symmetrisk på rygglenet)
- 2** Stram til festebrakettene akkurat så mye at de ikke kan gli.

MX2-montering: Oppsett/breddejustering av festebolt



4.0 MONTERING AV MX2 RYGGLENE – AVTAKBAR MONTERING

- Høydejustering av MX2:** Høyden på MX2-rygglenet kan justeres etter behov ved hjelp av sporet i MX2-rygglenet (se **fig. 8a**). Anbefalt rygglenehøyde* er ca. **5–6" (13–15 cm)** fra toppen av **seteoverflaten** (seteputen eller seteplaten; se **fig. 8b**).
- Arbeid på én side om gangen, løsne festebakketten (**A**), og skyv MX2-rygglenet oppover/nedover til ønsket rygglenehøyde. **OBS:** MX2-rygglenets **høydejustering vil variere** med høyden (sporlengden) til MX2-rygglenet – se **tabell 1.0**:
- Stram til festebakkettplatene/-delene (**A**) for å låse MX2-rygglenet på plass, og pass på å bevare riktig bredde/posisjon for festebolten (etter **fig. 7**). Gjenta høydejusteringen av rygglenet på motsatt festebakket.
- Når alle bredde- og høydejusteringene er fullført, strammer du til **alle** delene forsvarlig.

***OBS:** Anbefalt høyde for MX2-rygglenet er bare ment som en retningslinje. Små avvik fra anbefalingen kan være nødvendig – se **Viktig!**-merknaden nedenfor.

MX2-montering: Justering av rygglenehøyde

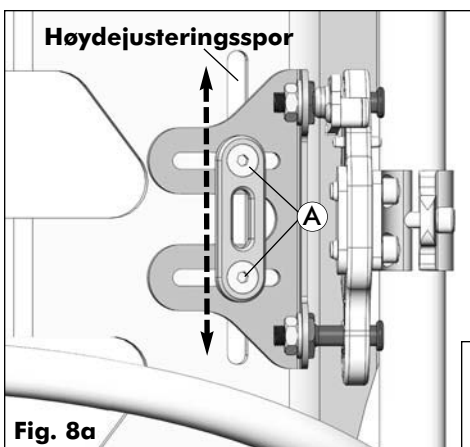


Fig. 8a

i VIKTIG!

Påse alltid at den nederste delen av rygglenet anatomisk befinner seg nedenfor spina iliaca posterior superior (SIPS). Dersom du har spørsmål eller bekymringer knyttet til riktig høyde for rygglenet, kan du kontakte leverandøren og/eller helsepersonell for å få faglige råd.

Tabell 1.0:
Høydejustering (spor) av MX2

Rygglenehøyde	Justeringsområde
6" (150 mm)	1/2" (13 mm)
9" (230 mm)	2" (51 mm)
12" (310 mm)	2" (51 mm)
16" (410 mm)	3,5" (89 mm)

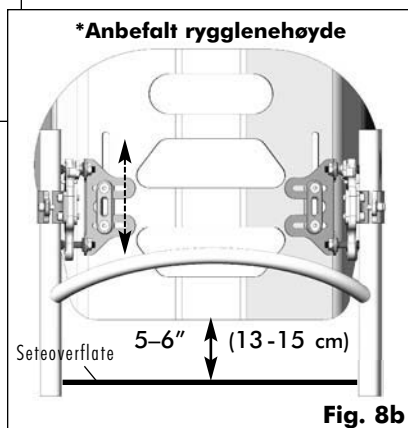


Fig. 8b

4.0 MONTERING AV MX2 RYGGLENE – AVTAKBAR MONTERING

4.8 MX2 ryggene: Justering av vinkel og dybde

i VIKTIG! Vær oppmerksom på at justeringer av vinkel og dybde på MX2 ryggene utføres samtidig. Disse to justeringene er enklere å utføre dersom du først løsner justeringsdelene på begge klemmene. (**OBS:** Ved en standard montering bør justeringer av dybde og vinkel gjøres symmetrisk på begge monteringsplater.)

- 1 **Vinkeljustering på MX2:** Om nødvendig kan MX2-rygglenets vinkel justeres ved hjelp av de to justeringsskruene for dybde/vinkel (A) på hver festeklemme (B) (se fig. 9a).
- 2 Løsne justeringsskruene for dybde/vinkel (x2) på hver klemme, roter deretter monteringsplaten (C) forover eller bakover til ønsket rygglenevinkel (justeringsområde for vinkel = $\pm 15^\circ$, se fig. 9b).

MX2-montering: Vinkeljustering av ryggene

Fig. 9a

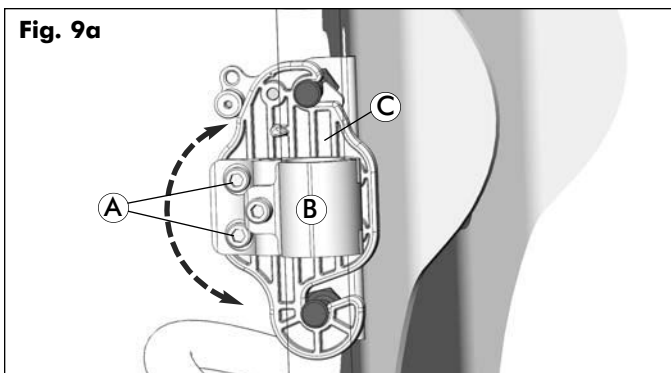
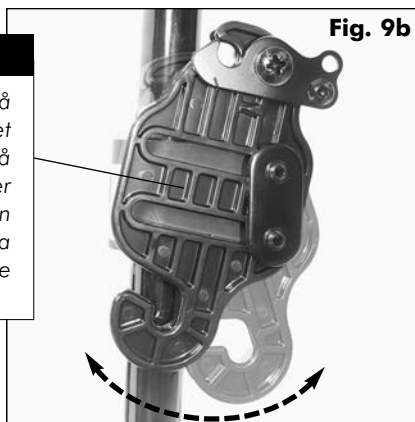


Fig. 9b



Vinkeljustering ($\pm 15^\circ$)

! OBS

De innstøpte loddrette linjene på monteringsplatene er ment som et referansepunkt for gjøre det enklere å utføre symmetriske justeringer. Under justering av MX2-rygglenets vinkel kan de loddrette linjene brukes til å foreta den samme vinkeljusteringen på begge monteringsplatene.

4.0 MONTERING AV MX2 RYGGLENE – AVTAKBAR MONTERING

- 3 **Dybdejustering på MX2:** Dybden til MX2-rygglaget reguleres ved hjelp av to separate justeringer:

MX2-rørklemmens retning: (se også **punkt 4.4**)

MX2-rørklemmene (B) kan monteres i standard (bakovervendt) retning eller i omvendt (forovervendt) retning, noe som gir kortere setedybde (se **fig. 10**). Ved den **bakerste monteringen (1)** er rygglaget dybde = **-1,75" (44 mm)**.

Ved **den fremste monteringen (2)** er rygglaget dybde = **+2,25" (57 mm)**.

(OBS: målt i forhold til ryggørerne, med festboltene som målepunkt).

Maksimalt justeringsområde forover/bakover for dybde (fra bakerste montering til fremste montering) = **4,25" (108 mm)**

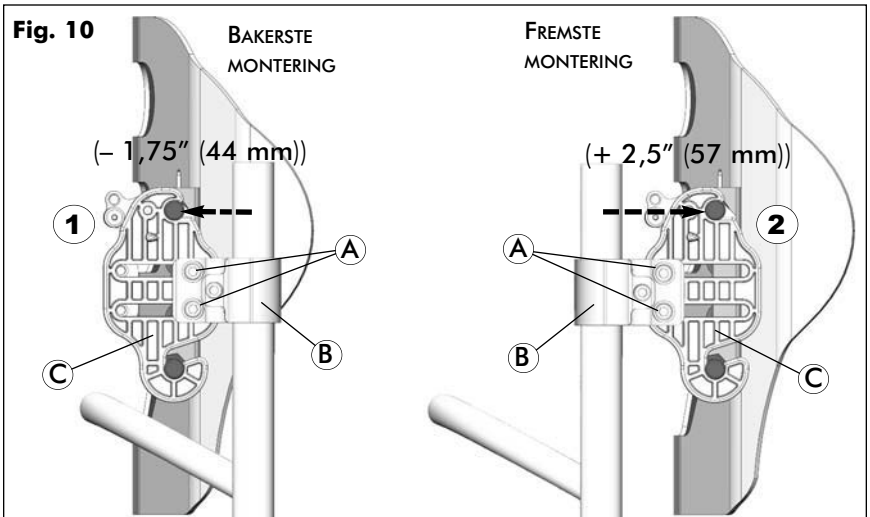
Dybdejustering av monteringsplate på MX2*:

Sporene i MX2-monterings-skivene (C) gir opptil **1,75" (44 mm)** dybdejustering innenfor det maksimale justeringsområdet (se **fig. 11** (s. 28)).

***OBS:** Det tilgjengelige justeringsområdet for dybde på monteringsplaten blir begrenset når vinkelen på MX2-rygglaget endres.

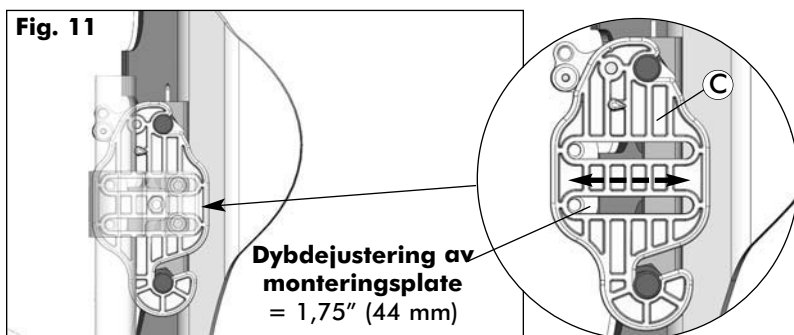
- 4 Juster ved å løsne de to justeringsskruene (A) på hver klemme og deretter skyve monteringsplatene (C) forover eller bakover via justeringssporene til ønsket rygglagedybde.
- 5 Når alle vinkel- og breddejusteringene er fullført, strammer du til **alle** delene forsvarlig.

MX2-montering: Justering av rygglaget dybde



4.0 MONTERING AV MX2 RYGGLENE – AVTAKBAR MONTERING

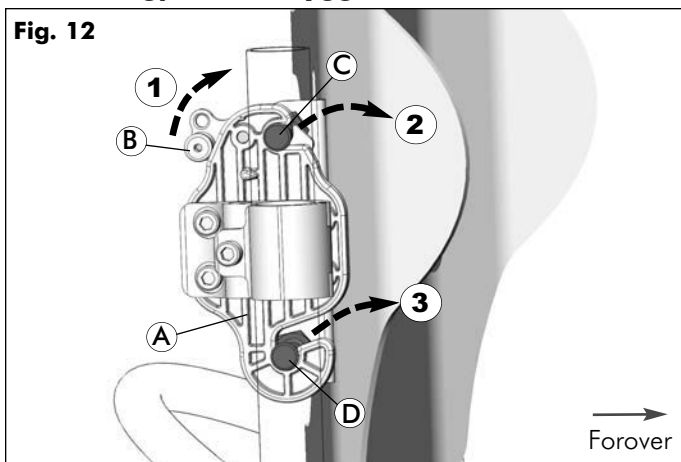
MX2-montering: Justering av rygglenets dybde



4.9 Ta MX2-rygglenet av hurtigkoblingen

- 1 Ta av / frigjør MX2-rygglenet fra monteringsplatene (A) på følgende måte (se **fig.12** nedenfor):
 - i. Stå bak rullestolen, og løft frigjøringsmekanismen (B) **samtidig** på begge monteringsplater (1).
 - ii. Når låsene er åpnet, skyver du toppen av MX2-rygglenet forover (2) for å frigjøre de øvre festeboltene (C) fra monteringsplatene (A).
 - iii. Når de øvre boltene er frigjort, løfter du MX2-rygglenet oppover og forover (3) for å frigjøre de nedre festeboltene (D) fra monteringsplatene.

Ta av / frigjøre MX2-rygglenet



5.0 STELL OG VEDLIKEHOLD

5.1 Rengjøring og stell:

i VIKTIG! Alle rengjørings- og desinfeksjonsmidler må være av god kvalitet og kompatible med hverandre. I tillegg må de beskytte materialene de skal rengjøre.

! FORSIKTIG! Risiko for produktskade.

Bruk IKKE rengjøringsmidler som inneholder blekemidler, fenoler eller alkoholer.

Vanlig stell og rengjøring:

Trekket kan enkelt tørkes av med en fuktig klut ved behov

Vaskeanvisninger (yttertrekk):

1. Fjern forsiktig trekket ved å løsne borrelåsene langs den øvre og nedre kanten og innsiden av ryggenet.

OBS: Før trekket vaskes, må den innvendige skumputen tas ut.

2. Vask trekket i maskin på 60 °C på skånsomt program (se instruksjoner på vaskelappen).

i VIKTIG! Vasking ved høy temperatur kan føre til krymping

3. Heng trekket til tork i rene omgivelser.

Eller

Tørk i tørketrommel på lav varme.

i VIKTIG!

- Tørketrommelinnstillingen må ikke overstige 40 °C.
- Trekkene må ikke tørkes i tørketrommel i mer enn 10 minutter.
- Pass på at trekkene er helt tørre før de trekkes på skumputen.
- Skal ikke strykes.
- Skal ikke tørrenses.

5.2 Vedlikehold og kontroll:

Hver måned: Utfør visuell kontroll av delene, inkludert metalleder, braketter, polstring, skum og plast, for å se etter deformasjon, korrosjon, sprekker, slitasje eller kompresjon.

! ADVARSEL! Risiko for personskade eller skade på utstyr

Kontroller ALLE fester hver uke for å sikre at mekaniske forbindelser og festedeler er forsvarlig strammet til.

SLUTT å bruke produktet dersom du oppdager feil ved det. Reparasjoner kan utføres hos eller gjennom utstyrsleverandøren.

6.0 TILBEHØR TIL MX2

6.1 Montering/justering av korsryggstøtte (valgfri)

! OBS

Korsryggstøtten er et prefabrikkert skuminnlegg som gir støtte i nedre del av ryggen og dermed ekstra komfort. Korsryggstøttens posisjon kan justeres inne i Invacare® Matrix® MX2-trekket (se instruksjonene nedenfor), eller den kan fjernes hvis man ikke ønsker noen korsryggstøtte.

1. Du kommer til korsryggstøtten ved å åpne borrelåsene på yttertrekket A nederst på baksiden av rygglenet.
2. Skumkorsryggstøtten B plasseres i Invacare® Matrix® MX2-trekket mellom skumryggputen C og rygglenet D.
3. Korsryggstøtten kan justeres til ønsket høyde/posisjon.
4. Fest trekket på nytt (med borrelåsen) på ryggplaten.

Korsryggstøtte



***OBS:** Korsryggskummet kan tilskjæres/endres etter behov for å tilpasses sluttbrukeren.



6.0 TILBEHØR TIL MX2

6.2 Inkontinensklaff (valgfri) (selges separat)

Inkontinensklaffer er tilgjengelige (selges separat) for bruk sammen med MX2-rygglenere av standard størrelse. Alle rygglenere av standard størrelse leveres med en borrelåsstrimmel påsydd nede på baksiden av putetrekket, for montering av inkontinensklaff.

Riktig størrelse på inkontinensklaffen for de ulike MX2-rygglenene finner du i tabellen:

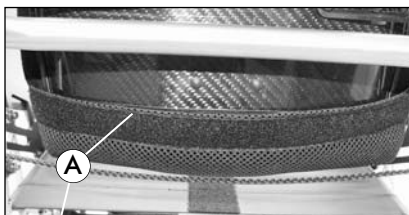
BREDDER	INKONTINENSKLAFF
14 tommer (36 cm)	PFLAP-XS 10" x 16" (26 cm x 41 cm)
15 tommer (38 cm)	PFLAP-S
16 tommer (41 cm)	13" x 16" (33 cm x 41 cm)
17 tommer (43 cm)	PFLAP-M
18 tommer (46 cm)	15" x 16" (38 cm x 41 cm)



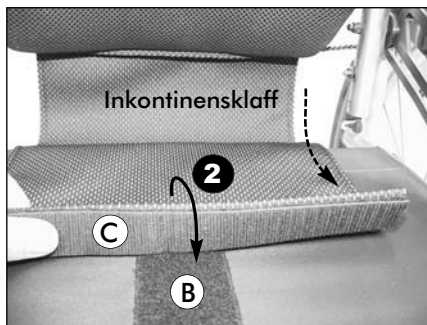
Instruksjoner for montering:

1. Fjern rullestolens setepute (hvis montert).
2. Kontroller at rygglenet er justert i ønsket høyde. (Se punkt 4.0, fig. 8.)
3. Stå bak rullestolen (vendt forover); rett inn / fest borrelåsstrimmelen på inkontinensklaffen til borrelåsstrimmelen som er sydd på nede på baksiden av MX2-rygglenet (A). (Se trinn 1 nedenfor.)
4. Trekk den motsatte enden (som ikke er festet) av inkontinensklaffen gjennom åpningen mellom den nedre delen av rygglenet og rullestolsetet.
5. Fest borrelåsstrimmelen (hunn) på inkontinensklaffen til den eksisterende borrelåsstrimmelen* (B) på rullestolens stroppesete eller seteplate. (Se trinn 2 nedenfor.)

***OBS:** Hvis borrelåsstrimmelen som er montert på rullestolsetet, er av samme type (hunn), fester du inkontinensklaffen ved hjelp av adapterstrimmelen med to hann-sider (C), som følger med.



SETT BAKFRA



SETT FORFRA

matrix[®]
SEATING SERIES



Matrix MX2-rugleuning

voor onderdelen voor **VASTE
MONTAGE** en onderdelen voor
VERWIJDERBARE MONTAGE

MONTAGE/INSTALLATIE

i BELANGRIJK! De montage-instructies in deze handleiding moeten worden uitgevoerd door een gekwalificeerde technicus.

DEALER: Deze handleiding MOET aan de gebruiker van het product worden gegeven.

GEbruIKER: Lees deze handleiding voordat u dit product gebruikt en bewaar de handleiding als toekomstig naslagwerk.



TRD0439 Rev B

GARANTIE

LET OP: ONDERSTAANDE GARANTIE IS OPGESTELD IN OVEREENSTEMMING MET DE WETTELIJKE EISEN DIE VAN TOEPASSING ZIJN OP PRODUCTEN DIE NA 4 JULI 1975 ZIJN VERVAARDIGD.

Deze schriftelijke garantie kan alleen worden verlengd voor de oorspronkelijke inkoper/gebruiker van onze producten. Door dit garantiebewijs krijgt u bepaalde wettelijke rechten en daarnaast hebt u mogelijk nog andere wettelijke rechten die per land kunnen verschillen. Invacare/Motion Concepts garandeert dat dit product gedurende twee jaar gebruik door de oorspronkelijke koper vrij is van defecten in materialen en vakmanschap. Dit garantiebewijs geldt niet voor lekke banden, scheuren of brandplekken, noch voor schade aan de vervangbare kussenbekleding. Als dit product tijdens de garantieperiode een bewezen defect vertoont, dan zal dit product gerepareerd of vervangen worden volgens de opties die Invacare/Motion Concepts biedt, met gereviseerde of nieuwe onderdelen. Deze garantie geldt niet voor gemaakte kosten voor werkzaamheden of verzending tijdens het vervangen, repareren of installeren van dit soort producten. Productreparaties verlengen de garantieperiode niet – de dekking voor reparatiekosten vervalt wanneer deze beperkte garantie eindigt. De enige verplichting die aan Invacare/Motion Concepts is opgelegd, en de exclusieve rechten die u eraan ontleent, op grond van deze garantie beperken zich tot dergelijke reparaties en/of vervangingen. U kunt voor garantieservice contact opnemen met de dealer bij wie u uw Invacare/Motion Concepts-product hebt aangeschaft. Richt indien u niet tevreden bent over de verschafte garantieservice uw schriftelijke bezwaar direct aan Invacare/Motion Concepts via het adres op de achterkant. Vermeld naam en adres van de dealer, evenals het modelnummer en de datum van aanschaf, geef de aard van het defect aan en als het product uit een reeks komt, het serienummer.

Invacare Corporation/Motion Concepts zal een machtiging voor teruggave verstrekken. De defecte eenheid of onderdelen moeten binnen dertig (30) dagen retour gezonden worden voor een garantie-inspectie, waarbij indien van toepassing het serienummer ter identificatie dient.

Zend uw producten NIET retour zonder onze toestemming vooraf. Rembourszendingen zullen worden geweigerd, u wordt verzocht de verzendkosten vooraf te voldoen.

BEPERKINGEN EN UITSLUITINGEN: DE GARANTIE IS NIET VAN TOEPASSING OP PROBLEMEN DIE VOORTKOMEN UIT NORMALE SLIJTAGE OF WANNEER MEN ZICH NIET AAN DE BIJGESLOTEN INSTRUCTIES HOUDT. DAARNAAST IS DE GENOEMDE GARANTIE NIET VAN TOEPASSING OP PRODUCTEN UIT REEKSEN INDIEN HET SERIENUMMER VERWIJDERD OF ONLEESBAAR IS; PRODUCTEN DIE BLOOT HEBBEN GESTAAN AAN NALATIGHEID, EEN ONGEVAL, ONJUIST GEBRUIK, ONDERHOUD OF OPSLAG; OF PRODUCTEN DIE AANGEPAST ZIJN ZONDER DAARVOOR SPECIFIEK SCHRIFTELIJK TOESTEMMING TE HEBBEN GEKREGEN VAN INVACARE/MOTION CONCEPTS, INCLUSIEF MAAR NIET BEPERKT TOT: AANPASSING MET BEHULP VAN ONGEAUTHORISEERDE ONDERDELEN OF OPZETSTUKKEN; PRODUCTEN DIE BESCHADIGD ZIJN GERAAKT DOOR REPARATIES DIE ZIJN VERRICHT ZONDER SPECIFIEKE TOESTEMMING VAN INVACARE/MOTION CONCEPTS VOORAF; PRODUCTEN DIE BESCHADIGD ZIJN GERAAKT BUITEN DE CONTROLEMOGELIJKHEDEN VAN INVACARE/MOTION CONCEPTS OM; PRODUCTEN DIE ZIJN GEREPAREERD DOOR EEN ANDERE PARTIJ DAN EEN INVACARE-/MOTION CONCEPTS-DEALER, WAARBIJ EEN DERGELIJKE BEOORDELING ALLEEN DOOR INVACARE/MOTION CONCEPTS BEPAALD MAG WORDEN. DE GENOEMDE GARANTIE IS EXCLUSIEF EN GELDT VOOR ALLE ANDERE SPECIFIEKE GARANTIES, INDIEN DEZE ER ZIJN, INCLUSIEF DE IMPLICIETE GARANTIES VOOR VERKOOPBAARHEID EN GESCHIKTHEID VOOR EEN BEPAALD DOEL. DE GARANTIE GELDT NIET BUITEN DE DUUR VAN DE HIERIN VERMELDE UITDRUKKELIJKE GARANTIE EN HET RECHTSMIDDEL VOOR OVERTREDINGEN VAN IMPLICIETE GARANTIES BEPERKT ZICH TOT REPARATIE OF VERVANGING VAN HET DEFECTE PRODUCT OVEREENKOMSTIG DE HIERIN GENOEMDE VOORWAARDEN. INVACARE/MOTION CONCEPTS IS NIET AANSPRAKELIJK VOOR ENIGE SCHADE DIE HET GEVOLG IS VAN EEN ONGEVAL. DEZE GARANTIE REIKT VERDER TER NALEEVING VAN REGIONALE/NATIONALE WETTEN EN EISEN.

Deze handleiding mag niet in zijn geheel of gedeeltelijk worden gereproduceerd of afgedrukt zonder voorafgaande schriftelijke toestemming van Motion Concepts of zijn wettelijke vertegenwoordigers.


Deze gebruiksaanwijzing is samengesteld op grond van de meest recente specificaties en productinformatie ten tijde van publicatie. We behouden ons het recht voor om indien nodig wijzigingen door te voeren. Wijzigingen die aan onze producten zijn aangebracht, kunnen enige variaties met zich meebrengen tussen de afbeeldingen en toelichtingen in deze handleiding en het product dat u hebt gekocht. Als u vragen hebt over of een probleem met de informatie in deze handleiding, neemt u contact op met onze klantenservice.

Inhoudsopgave

- 1.0 Algemene waarschuwingen
- 2.0 Veiligheidsinformatie
- 3.0 Montage/aanpassing MX2- **vaste montage**
- 4.0 Montage/aanpassing MX2- **verwijderbare montage**
- 5.0 Verzorgings- en onderhoudsinstructies
- 6.0 MX2-opties


VEILIGHEIDSSYMBOLEN:

Juiste installatie en veilig gebruik van uw Invacare Matrix MX2-rugleuning hangt af van uw eigen goede oordeel en gezond verstand, evenals die van uw leverancier, verzorger en/of medische zorgverlener. De volgende symbolen worden in deze gehele gebruiksaanwijzing gebruikt om waarschuwingen, let-opmeldingen en belangrijke opmerkingen aan te duiden. Het is heel belangrijk dat u ze helemaal leest en begrijpt.

 **LET OP!** Als u de let-opmeldingen in deze handleiding niet in acht neemt, kan dat leiden tot schade aan uw Matrix-zitproduct.

 **WAARSCHUWING!** Als u de waarschuwingen in deze handleiding niet in acht neemt, kan dat leiden tot persoonlijk letsel.

 **BELANGRIJK!** Belangrijke informatie om te onthouden tijdens de montage en installatie van uw Matrix-zitproduct.

 **BELANGRIJK!** Raadpleeg de handleiding voor eigenaren/gebruikers van de rolstoel voor aanvullende veiligheidsinformatie, waarschuwingen en let-opmeldingen over de bediening van uw rolstoel.

1.0 ALGEMENE WAARSCHUWINGEN/INFORMATIE

1.1 Overzicht

⚠ WAARSCHUWING VOOR DE GEBRUIKER!

GEbruik DIT PRODUCT OF DE BESCHIKBARE OPTIONELE APPARATUUR NIET VOORDAT U DEZE INSTRUCTIES EN HET EVENTUELE AANVULLENDE INSTRUCTIEMATERIAAL VOLLEDIG HEBT DOORGELEZEN EN BEGREPEN, ZOALS DE GEBRUIKSAANWIJZINGEN, SERVICEHANDLEIDINGEN OF INSTRUCTIEBLADEN DIE BIJ DIT PRODUCT OF DE OPTIONELE APPARATUUR WORDEN VERSTREKT. ALS U NIET IN STAAT BENT DE WAARSCHUWINGEN, LET-OPMELDINGEN OF INSTRUCTIES TE BEGRIPEN, NEEM DAN CONTACT OP MET EEN ZORGVERLENER, DEALER OF TECHNISCHE STAF VOORDAT U DIT APPARAAT GAAT GEBRUIKEN. ER KAN ANDERS LETSEL OF SCHADE OPTREDEN.

i BELANGRIJKE INFORMATIE

De beste manier waarop u problemen met drukwonden voorkomt, is door meer te weten te komen over de oorzaken ervan en door deel te nemen aan een huidverzorgingsprogramma. Als u vragen hebt met betrekking tot uw persoonlijke beperkingen en behoeften, dient u uw therapeut of arts te raadplegen.

Alle rugkussens dienen zorgvuldig geselecteerd te worden. Overleg met uw therapeut en arts om er zeker van te zijn dat een gekozen kussen voldoet aan uw persoonlijke behoeften. Naarmate de behoeften van een persoon complexer worden, wordt een juiste beoordeling belangrijker.

Invacare® MatrX® MX2-rugleuning

De rugleuning van de Invacare® MatrX® MX2 is omrand ter indicatie van de juiste richting aan de binnenkant van de rolstoel voor optimale ondersteuning van uw postuur. Door het extra aanwezige schuim wordt nog meer comfort en bescherming verkregen.

Bij de rugleuning van de Invacare® MatrX® MX2 is ook een verplaatsbare steunkussen van schuim voor de lendenen inbegrepen dat achter het bestaande schuimkussen geïnstalleerd/aangebracht kan worden voor extra verstelmogelijkheden. Raadpleeg hoofdstuk 6.0 - Lendesteun.

De buitenbekleding is gemaakt van een ademende netstof voor afstandhouders, gecombineerd met kunstleer voor meer duurzaamheid. Het wordt aanbevolen de buitenbekleding regelmatig schoon te maken en te controleren. Raadpleeg hoofdstuk 5.0 - Verzorging en onderhoud.

1.2 Slijtagegevoelige producten

i BELANGRIJK! Productonderdelen die onderhevig zijn aan normale slijtage, zijn maar niet beperkt tot: alle bekledingsonderdelen inclusief de bekleding en kussens van de rugleuning.

Invacare behoudt zich het recht voor om onderdelen met vermeende constructiefouten terug te vragen. Zie het **garantiebeleid** (achterzijde laatste pagina) voor specifieke informatie over de garantie.

Raadpleeg deze gebruiksaanwijzing voor een preventief onderhoudsschema en juist gebruik van het product. Dit is slechts een algemene richtlijn en geldt niet voor onderdelen die door verkeerd gebruik zijn beschadigd. De gebruiksduur is afhankelijk van verschillende factoren.

1.3 Beoogd gebruik

Onze rugleuning van Invacare® MatrX® MX2 zijn ontworpen voor de juiste positie in de rolstoel voor optimale ondersteuning van uw postuur.

2.0 VEILIGHEIDSINFORMATIE

2.1 Waarschuwingen bij transport

⚠ WAARSCHUWING!

Er bestaat kans op ernstig letsel tijdens het vervoer in een motorvoertuig van een cliënt in een rolstoel die is uitgerust met een Invacare® Matrix® MX2-rugleuning.

- Invacare raadt aan om de cliënt, waar mogelijk, vanuit de rolstoel over te zetten naar een zitplaats in het voertuig, waarbij gebruik wordt gemaakt van een driepuntsveiligheidsgordel.
- Invacare® Matrix® MX2-rugleuningen mogen alleen worden gebruikt in combinatie met rolstoelen die voldoen aan de functie-eisen van RESNA WC19 of ISO 7176-19.
- Voor veilig vervoer van een cliënt in een rolstoel in een motorvoertuig raadpleegt u de gebruiksaanwijzingen van de rolstoel en het vastzetsysteem van de rolstoelgebruiker (WTORS).

2.2 Algemene veiligheid

⚠ WAARSCHUWING! Kans op overlijden, ernstig letsel of schade

Verkeerd gebruik van dit product kan leiden tot schade of lichamelijk letsel. Als u niet in staat bent de waarschuwingen, let-opmeldingen of instructies te begrijpen, neemt u contact op met een medische zorgverlener of dealer voordat u dit apparaat gaat gebruiken. Gebruik dit product of de beschikbare optionele apparatuur ALLEEN wanneer u deze instructies en het eventuele aanvullende instructiemateriaal volledig hebt doorgelezen en begrepen, zoals gebruiksaanwijzing, servicehandleidingen of instructiebladen die bij dit product of de optionele apparatuur worden verstrekt.

⚠ WAARSCHUWING! Kans op overlijden, ernstig letsel of schade

Brandende sigaretten die op een zittingsysteem met bekleding vallen, kunnen brand veroorzaken met overlijden, ernstig letsel of schade tot gevolg. Rolstoelgebruikers lopen een groter risico op overlijden of ernstig letsel door deze branden en de bijkomende rook, omdat ze mogelijk niet weg kunnen komen van de rolstoel.

- NIET roken tijdens het gebruik van deze rolstoel

⚠ WAARSCHUWING! Risico van lichamelijk letsel

Invacare® Matrix®-producten zijn specifiek ontworpen en vervaardigd voor gebruik in combinatie met Invacare® Matrix®-accessoires. Accessoires die door andere fabrikanten zijn ontworpen, zijn niet getest door Invacare en worden niet aanbevolen voor gebruik met Invacare® Matrix®-producten.

⚠ WAARSCHUWING! Risico van lichamelijk letsel

Na installatie van een nieuw zittingsysteem moet de conditie van de huid zorgvuldig worden gecontroleerd. Als u vragen hebt met betrekking tot uw persoonlijke beperkingen en behoeften, dient u uw therapeut of arts te raadplegen. Naarmate de behoeften van een persoon complexer worden, wordt een juiste beoordeling belangrijker.

2.0 VEILIGHEIDSINFORMATIE

2.3 Waarschuwingen installatie

⚠ WAARSCHUWING! Risico van ernstig letsel

Zorg ervoor dat bij het bepalen van de montagestand van de Invacare® Matrix® MX2-rugleuning de stabiliteit van de rolstoel niet in het geding komt. Het verstellen van de voorover- en achteroverleunstand van de rugleuning zorgt voor een ander middelpunt van de zwaartekracht van de gebruiker in de rolstoel. Een teruggeschoven stand van de rugleuning kan zorgen voor een significante afname van de achterwaartse stabiliteit van de rolstoel. Op dezelfde manier neemt de voorwaartse stabiliteit van de rolstoel af bij een naar voren gekantelde rugleuning.

⚠ WAARSCHUWING! Risico op ernstig letsel of schade

- De procedures beschreven in deze handleiding moeten door een gekwalificeerd technicus worden uitgevoerd.
- Als onderdelen niet goed zijn bevestigd, kan dat verlies van stabiliteit met zich meebrengen met ernstig letsel of schade tot gevolg.
- Zorg ervoor dat alle onderdelen na aanpassingen, reparatie of onderhoud en vóór gebruik stevig zijn bevestigd.
- Installeer de onderdelen van de Invacare® Matrix® MX2-rugleuning NIET op rugleuningstangen met een buitendiameter van meer dan 1" (25 mm) of minder dan 3/4" (19 mm). Er kan anders lichamelijk letsel of schade optreden.
- De Invacare® Matrix® MX2-rugleuning is niet bedoeld voor elektrisch aangedreven zittingtoepassingen.
- De montagestand van de Invacare® Matrix® MX2-rugleuning is direct van invloed op de stabiliteit van de rolstoel. Het kan nodig zijn om vóór gebruik de stand van de voorste zwenkwielen, achterwiel, rugleuninghoek, terugklapspel, achteroverleunstand en/of de zitdiepte aan te passen.
- Zorg er voor gebruik voor dat de Invacare® Matrix® MX2-rugleuning goed vastzit op de rolstoel. Als u dit niet doet, kan er lichamelijk letsel of schade optreden.

⚠ WAARSCHUWING! Risico op ernstig letsel of schade

De geleverde installatieapparatuur is robuust en is getest op duurzaamheid. **Vervang onderdelen NIET.** Gebruik alleen de originele Matrix MX2-onderdelen die zijn meegeleverd.

2.4 Afmetingen/draagvermogen van de rugleuning

GECONFIGUREERD MODEL	OMSCHRIJVING	Diepte van de Bekleding	DRAAGVERMOGEN
bbhhIMX2	Matrix MX2-rugleuning	3" (76 mm)	250 lbs (113 kg)

* bbhh = breedte/hoogte

Verkrijgbare formaten: Breedte: 14" - 18" (355 mm - 460 mm);

Hoogte: 6" (150 mm), 9" (230 mm), 12" (310 mm), 16" (410 mm)

Neem contact op met uw dealer of therapeut om de toepasselijke modellen/afmetingen van de rugleuning voor uw persoonlijke behoeften te bepalen. Voor meer informatie over een van onze Matrix-rugleuningen, inclusief alle beschikbare modellen/afmetingen, bezoekt u www.motionconcepts.com of www.invacare.com.

3.0 MX2-RUGLEUNING - VASTE MONTAGE

3.1 Onderdelenkit voor vaste montage

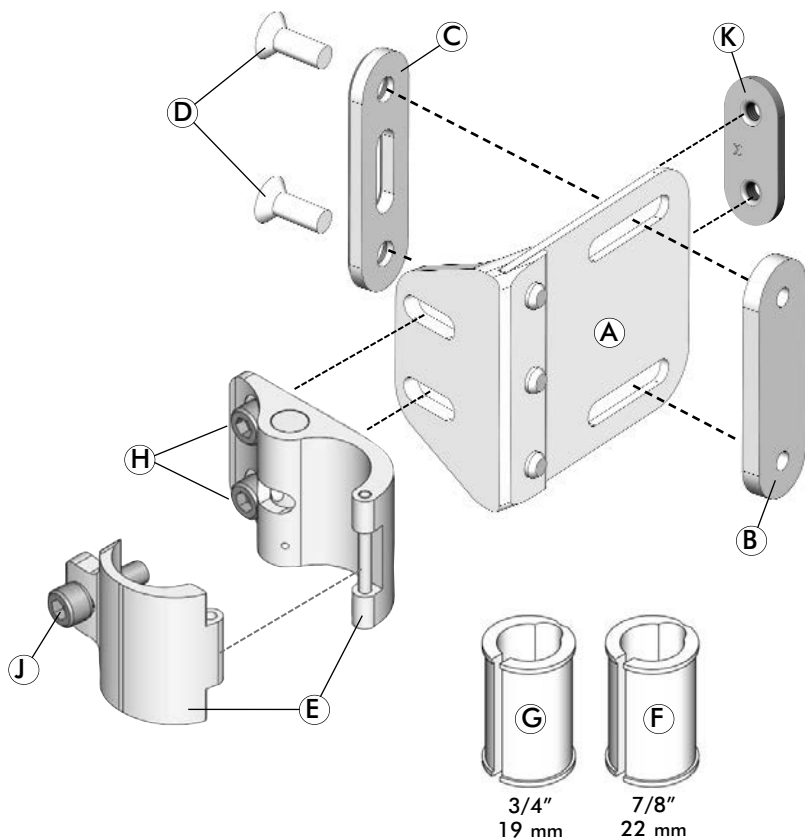
i) Montagebeugels (worden gemonteerd op de MX2-rugschaal):

- | | |
|--|--|
| 2 - Vaste-montagebeugels (A) | 2 - Sluitingplaatjes voor vaste beugel (C) |
| 2 - Moerplaatjes voor vaste beugel (B) | 4 - Schroeven voor vaste beugel (D) |

ii) Stangklem (wordt gemonteerd op de rugleuningstangen van de rolstoel):

- | | |
|-----------------------------------|-------------------------------------|
| 2 - Stangklem (E) | 4 - Schroeven voor verstellen |
| 2 - Stanghouders 7/8" (22 mm) (F) | diepte/achteroverleunstand (H) |
| 2 - Stanghouders 3/4" (19 mm) (G) | 2 - Schroeven voor stangklemmen (J) |
| | 2 - Moerplaatjes voor stangklem (K) |

(Montage onderdelen getoond voor rechterzijde)



3.0 MX2-RUGLEUNING - VASTE MONTAGE

3.2 Benodigd gereedschap

Inbussleutel (4 mm/5 mm) (meegeleverd)

Meetlint/liniaal

! LET OP

Als er montage-onderdelen ontbreken of verkeerd zijn geplaatst, neemt u contact op met uw plaatselijke Invacare/Motion Concepts-vertegenwoordiger voor vervangende onderdelen.

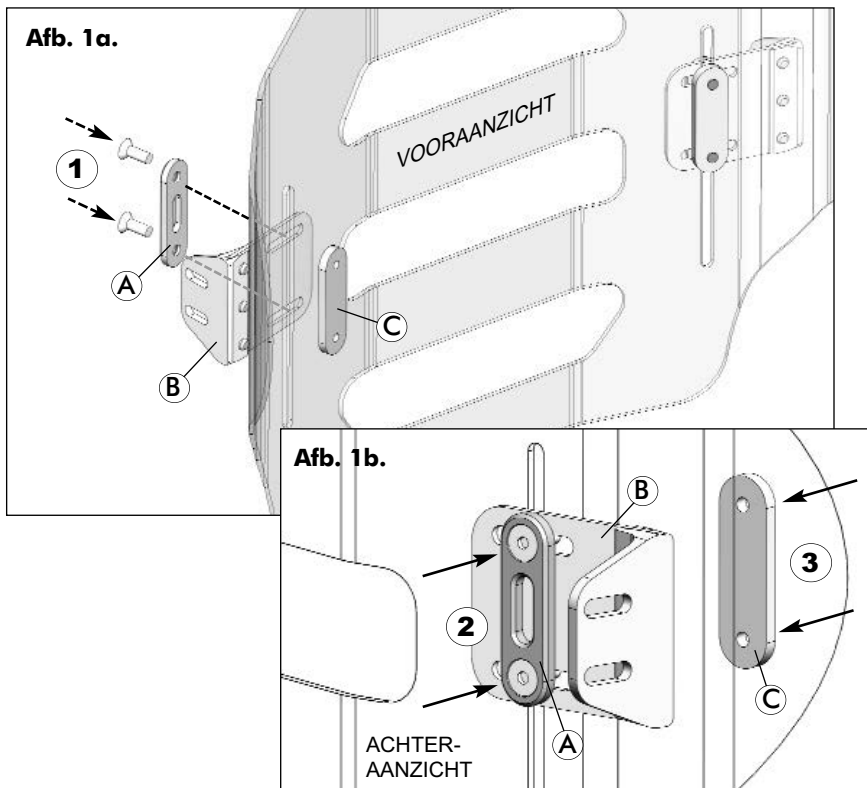
3.3 Vaste montage van MX2-beugel:

i **OPMERKING:** Voordat de vast-montagebeugels worden gemonteerd Verwijder de MX2-bekleding of maak die voorzichtig los door de haak- en lusluitingen van klittenband los te maken langs de boven- en onderrand en aan de binnenkant van de rugschaal.

- 1 Werk aan een kant van de rugschaal en monteer de vaste-montagebeugel op de Invacare[®] Matr[®] MX2-rugschaal als volgt:
 - Lijn het sluitringplaatje (A) uit met de gleuven in de vaste-montagebeugel (B) en steek de schroeven door beide onderdelen (1); (zie **afb. 1a**)
 - Monteer vanaf de achterkant van de rugschaal de 2 uitstekende schroeven van de montagebeugel door de verticale gleuf in de MX2-rugschaal (2); (zie **afb. 1b**)
 - Draai de schroeven om de montagebeugel op de MX2-rugschaal te bevestigen in het moerplaatje (C) aan de voorkant (binnenin) van de rugschaal (3); (zie **afb. 1b**)
- 2 Monteer de andere vaste-montagebeugel aan de andere kant van de rugschaal (conform **stap 1** hierboven).

3.0 MX2-RUGLEUNING - VASTE MONTAGE

Montage van vaste-montagebeugel



3.4 Pre-installatie: MX2-stangklemoriëntatie

f BELANGRIJK! Voor montage van de MX2-stangklemmen moet eerst de richting van de klemmen worden bepaald.

Voor een **standaardopstelling** worden de stangklemmen (A) in elkaar gezet en gemonteerd aan de rugleuningstangen in de *meest achterwaartse* positie. Met deze configuratie wordt de beschikbare zitdiepte op de rolstoel maximaal benut; zie **afb. 2a**.

Bij een **gespiegelde configuratie*** worden de stangklemmen (A) 180° op de rugleuningstangen gedraaid. Met deze configuratie wordt de beschikbare zitdiepte op de rolstoel tot een minimum beperkt, en wordt de MX2-rugleuning indien nodig meer *naar voren* gezet; zie **afb. 2b**.

De stangklemmen (A) zorgen voor voor- en achterwaartse verstelling van **38 mm (1,5")** (ten opzichte van de rugleuningstangen), afhankelijk van de gekozen montagestand

3.0 MX2-RUGLEUNING - VASTE MONTAGE

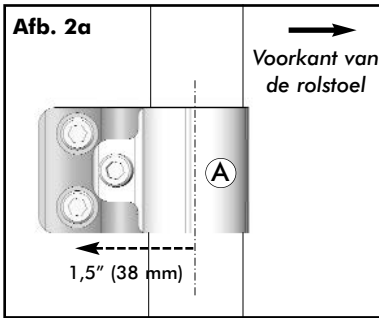
3.4 Pre-installatie: MX2-stanglemoriëntatie ...vervolg

⚠ WAARSCHUWING! Risico van ernstig letsel

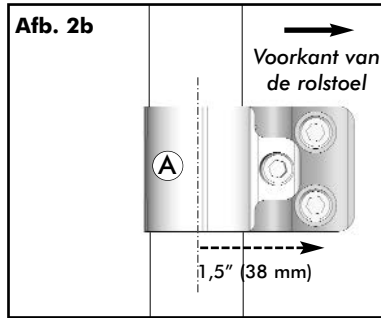
Zorg ervoor dat bij het bepalen van de definitieve montagestand van de Invacare® Matrix® MX2-rugleuning de stabiliteit van de rolstoel niet in het geding komt.

Door het aanpassen van de voorwaartse en achterwaartse stand van de rugleuning verandert het zwaartepunt van de gebruiker in de rolstoel. Een teruggeschoven stand van de rugleuning kan zorgen voor een significante afname van de achterwaartse stabiliteit van de rolstoel. Op dezelfde manier neemt de voorwaartse stabiliteit van de rolstoel af bij een naar voren gekantelde rugleuning.

MX2-stanglemoriëntatie



**Standaardconfiguratie
stanglem**
(maximale zitdiepte)



**Omgekeerde configuratie
stanglem**
(minimale zitdiepte)

3.5 MX2-stanglemontage

De MX2-stanglemmen zijn ontworpen voor montage op rugleuningstangen met een diameter van 1" (25 mm), 7/8" (22 mm) en 3/4" (19 mm). (Kunststof inzetstukken (A) worden meegeleverd voor rugleuningstangen met een kleinere diameter*).

- 1 Verwijder de aanwezige rugleuning van de rolstoel (indien van toepassing).
- 2 Monteer de gemonteerde stanglem (B) losjes op elke rugleuningstang in de gewenste richting; zie **afb. 3** en **afb. 4** voor een montage-overzicht.

*Rugleuningstangen van verschillende maten gebruiken:

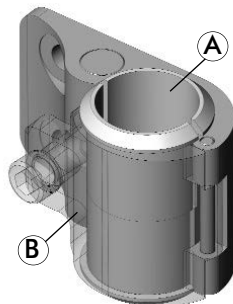
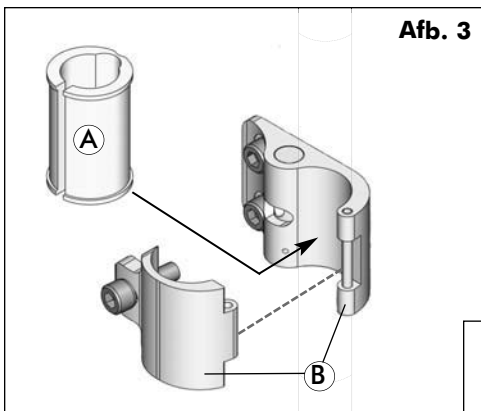
stangen van 1" (25 mm): geen kunststof inzetstukken nodig

stangen van 7/8" (22 mm): monteer kunststof inzetstukken van 7/8" (22 mm) (x2)

stangen van 3/4" (19 mm): monteer kunststof inzetstukken van 3/4" (19 mm) (x2)

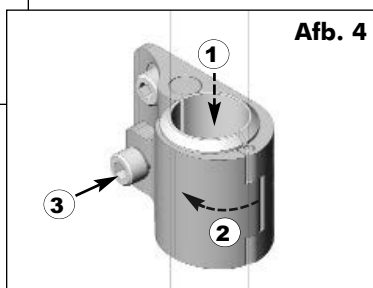
3.0 MX2-RUGLEUNING - VASTE MONTAGE

MX2-stangklemmontage



NUTTIGE TIP

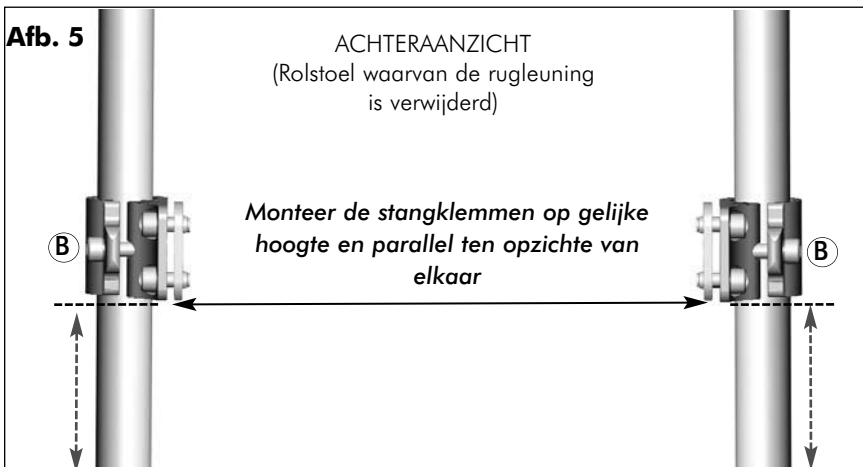
Spuit een kleine hoeveelheid haarlak op de rugleuningstangen en aan de binnenkant van de kunststof inzetstukken voor een stevige antisliphechting.



- 3 Begin aan één kant met het verschuiven/verstellen van de gemonteerde stangklem (B) tot de gewenste hoogte/stand langs de rugleuningstangen en zet die stevig op zijn plek vast.

Opmerking: De uiteindelijke rugleuningshoogte kan verder worden afgesteld na montage van de MX2-rugschaal op de stangklemmen (zie afb. 5)

Hoogteaanpassing MX2-stangklem



3.0 MX2-RUGLEUNING - VASTE MONTAGE

3.5 MX2-stangklemmontage (...vervolg)

- 4 Bepaal de hoogte van de eerste stangklem (B) vanaf een vast punt op de rolstoel (bijvoorbeeld het zitframe/de spanstang) en zet de tweede stangklem (B) op dezelfde hoogte aan de ertegenover gelegen rugstang vast (zie **afb. 5**)

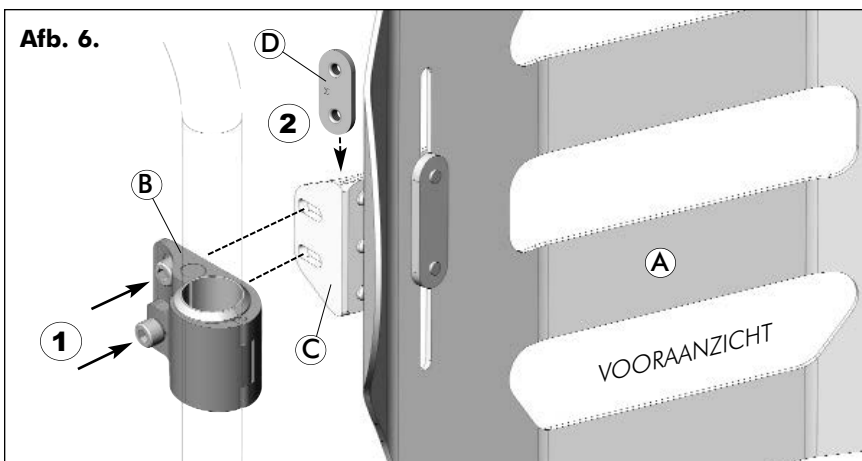
Opmerking: Zorg dat de gemonteerde stangklemmen parallel aan elkaar zijn uitgelijnd.

3.6 De MX2-rugleuning monteren aan de vaste stangklemmen

- 1 Werk aan een kant van de rugschaal en monteer de Matrix MX2-rugleuning (A) op de stangklemmen* (zie **afb. 6**):
- Lijn de 2 bevestigingsschroeven in de gemonteerde stangklem (B) uit met de bijbehorende sleuven in de MX2-vast-montagebeugel (C) (1).
 - Zet de gemonteerde stangklem vast aan de MX2-montagebeugel met het meegeleverde moerplaatje met schroefdraad (D) (2).
 - Herhaal stappen (1) en (2) om de MX2-rugschaal vast te zetten aan de tegenoverliggende rugstang.

***OPMERKING:** Vóór montage van de Matrix MX2-rugleuning aan de stangklemmen dienden de vaste-montagebeugels iets losser gezet te worden om de rugschaal uit te lijnen en te monteren. Zie **hoofdstuk 3.7 (afb. 8)** voor meer instructies over de breedte-/hoogteaanpassing

Montage van de MX2-rugleuning: VASTE-montageonderdelen



3.0 MX2-RUGLEUNING - VASTE MONTAGE

3.7 Aanpassingen MX2-rugleuning voor vaste montage

i BELANGRIJK! De MX2-vaste-montagebeugels zijn ontworpen voor montage op rugleuningstangen die tot 1" (25 mm) **breder of 1" (25 mm) smaller zijn** dan de nominale breedte van de rugleuning. Bij een standaardinstallatie moet de MX2-rugleuning symmetrisch (gecentreerd) tussen de rugleuningstangen worden gemonteerd.

i BELANGRIJK! Om de optimale configuraties voor diepte/hogte/hoek voor de rugleuning te bepalen, moet de gebruiker tijdens het afstellen plaatsnemen in de rolstoel.

- 1 Met de MX2-rugschaal op de rolstoel gemonteerd (stangklemmen) kunnen de uiteindelijke diepte, hoogte/breedte en rughoek van de MX2-rugleuning verder worden versteld zodat die is afgesteld op de eindgebruiker:

i. **Aanpassing diepte:** De diepte van de MX2-rugleuning (ten opzichte van de rugleuningstangen) wordt afgesteld met twee afzonderlijke aanpassingen:

MX2-stangklemoriëntatie: (zie eveneens *hoofdstuk 3.4*)

De stand van de MX2-stangklemmen (meest voorwaartse of meest achterwaartse montage) bepaalt de rugschaal (38 mm [$\pm 1,5$ "]) ten opzichte van de rugleuningstangen (1). Zie **afb. 7a**.

Het maximale bereik voor voor- en achterwaartse verstelling voor de MX2 vaste-montageonderdelen = 3" (76 mm) (38 mm [$\pm 1,5$ "]).

MX2-montageplaten:

De sleuven in de MX2-montageplaten maken diepteaanpassing van maximaal 1/2" (13 mm) mogelijk (2) binnen het maximale instelbereik. Zie **afb. 7b**.

ii. **Aanpassing breedte/hogte:** Om variaties in de breedtes van de rugleuningstangen te compenseren, zijn verfijnde afstellingen van de breedte beschikbaar via de horizontale sleuven in de MX2-montagebeugels (1). De hoogte van de MX2-rugleuning (ten opzichte van de stangklemmen) is te verstellen via de verticale sleuven in de MX2-rugschaal (2). De lengte van de sleuf (hoogteaanpassing) varieert afhankelijk van de grootte (hoogte) van de rugschaal. Zie **afb. 8a** en **8b**.

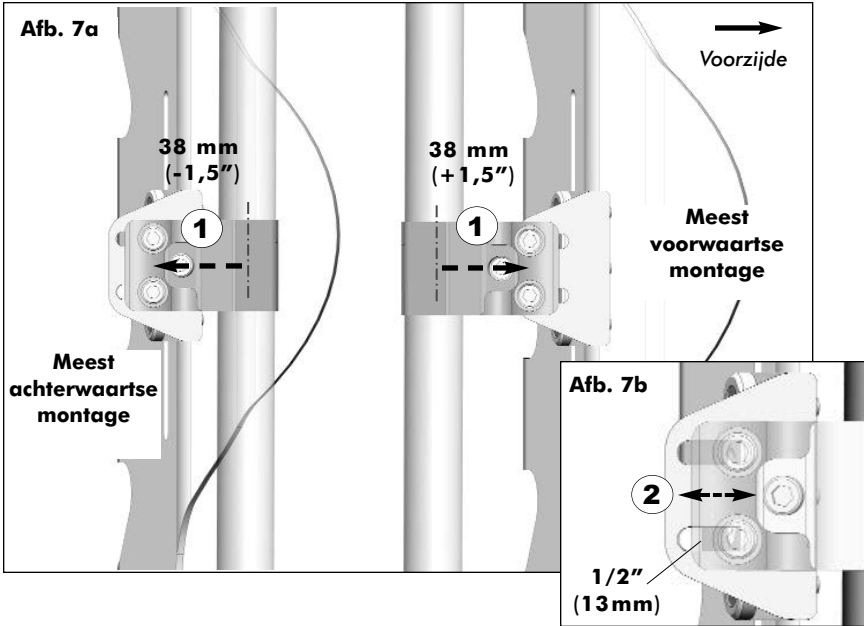
iii. **Aanpassing van de hoek:** Aanpassingen van de rughoek van $\pm 15^\circ$ worden bereikt door de rugschaal voorwaarts (1) of achterwaarts (2) in de sleuven van de MX2-montagebeugels te draaien. Zie **afb. 9**.

- 2 Controleer of algeheel comfort, pasvorm en uitlijning van de rugleuning op de rolstoel juist zijn voor de cliënt. Breng indien nodig meer aanpassingen aan.
- 3 Draai/Zet alle montage-onderdelen goed vast en controleer of de MX2-montagebeugels/stangklemmen niet van hun plaats kunnen schuiven of draaien.

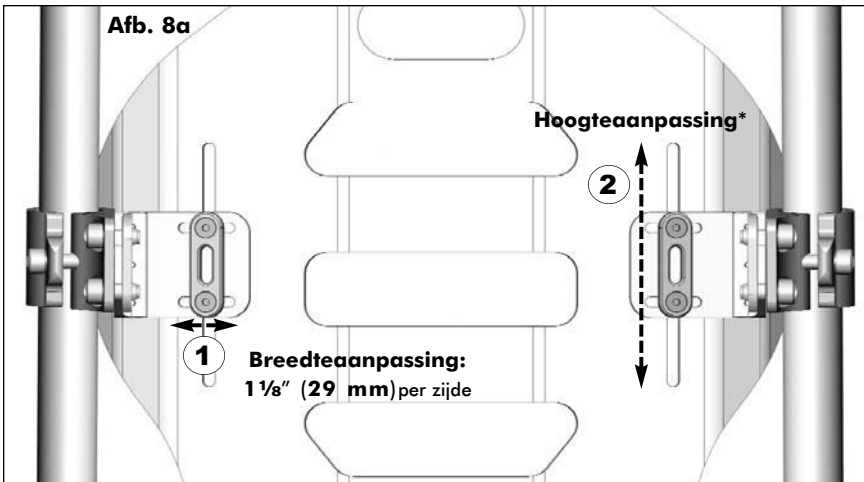
3.0 MX2-RUGLEUNING - VASTE MONTAGE

i BELANGRIJK! Tenzij anderszins vereist moeten **alle** aanpassingen in diepte, hoogte en hoek symmetrisch op de linker- en rechtermontageplaten worden doorgevoerd.

Vaste montage MX2: Aanpassing DIEPTE



Vaste montage MX2: Aanpassing BREEDTE/HOOGTE (ten opzichte van stanglem)



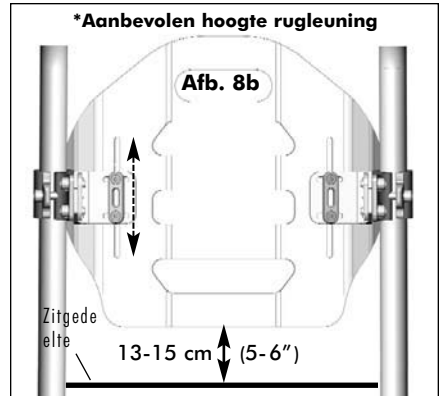
3.0 MX2-RUGLEUNING - VASTE MONTAGE

***OPMERKING:** Het bereik van de **hoogteaanpassing van de MX2-rugleuning** varieert afhankelijk van de hoogte (sleuflengte) op de MX2-rugschaal; zie **tabel 1.0**:

Tabel 1.0:
Hoogteaanpassing MX2 (sleuf)

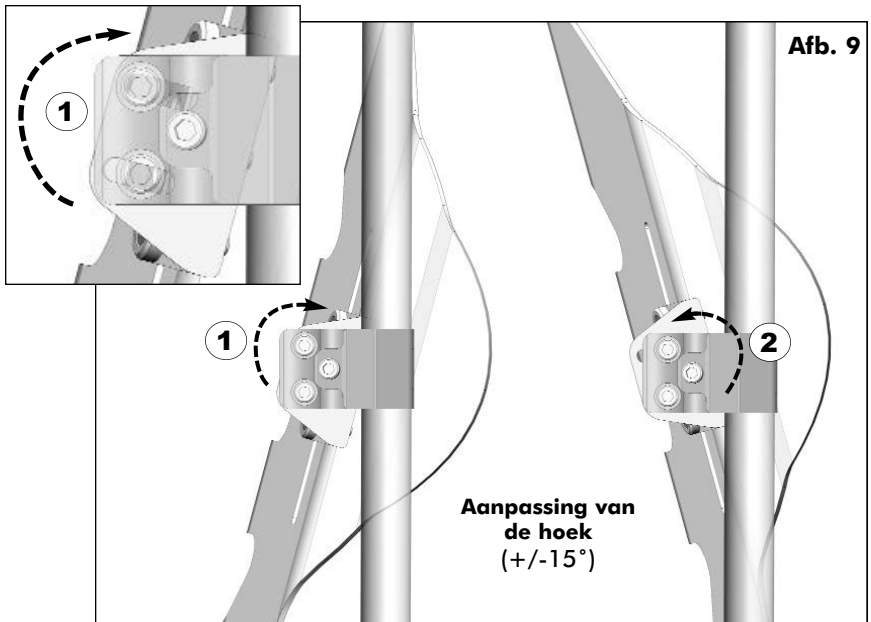
Rugschaal Hoogte	Bereik van Aanpassing
6" (150 mm)	1/2" (13 mm)
9" (230 mm)	2" (51 mm)
12" (310 mm)	2" (51 mm)
16" (410 mm)	3,5" (89 mm)

***Opmerking:** De aanbevolen MX2-rugleuninghoogte wordt alleen als richtlijn aangegeven. Enige variatie kan nodig zijn; zie **Belangrijk!** hieronder.



i BELANGRIJK! Zorg er altijd voor dat de onderkant van de rugleuning anatomisch gezien onder de spina iliaca posterior superior (SIPS) zit. Als u vragen of een probleem hebt met de juiste rugleuninghoogte, neemt u contact op met uw leverancier en/of medische zorgverlener voor deskundig advies.

Vaste montage MX2: AANPASSING RUGHOEK

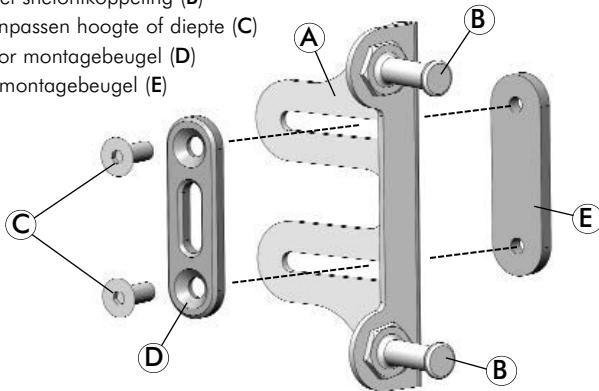


4.0 MX2-RUGLEUNING - VERWIJDERBARE MONTAGE

4.1 Verwijderbare (snelontkoppeling) montageonderdelenet:

i) Gemonteerde montagebeugel met snelontkoppeling (wordt gemonteerd op de MX2-rugschaal):

- 2 - MX2-montagebeugels met snelontkoppeling (A)
- 4 - Montagepennen met snelontkoppeling (B)
- 4 - Schroeven voor aanpassen hoogte of diepte (C)
- 2 - Sluiteringplaatjes voor montagebeugel (D)
- 2 - Moerplaatjes voor montagebeugel (E)

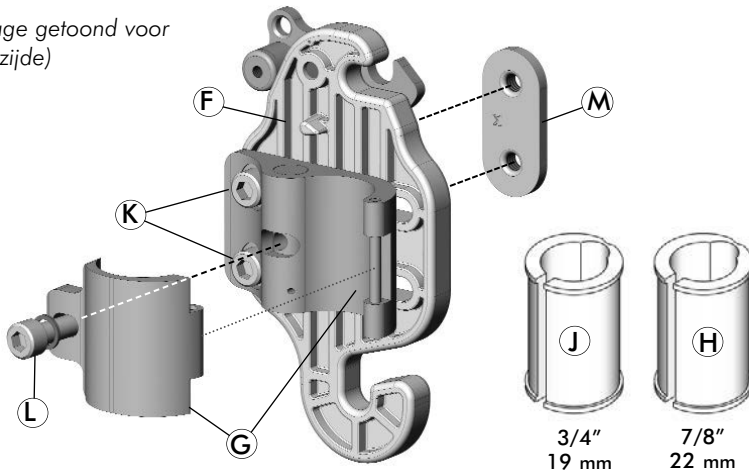


(Montage getoond voor rechterzijde)

ii) Stangkleem (wordt gemonteerd op de rugleuningstangen van de rolstoel):

- 2 - Minimontageplaten (F)
- 2 - Stangkleem (G)
- 2 - Stanghouders 7/8" (22 mm) (H)
- 2 - Stanghouders 3/4" (19 mm) (J)
- 4 - Schroeven voor aanpassing diepte/hoek (K)
- 2 - Schroeven voor stangklemmen (L)
- 2 - Moerplaatjes voor stangkleem (M)

(Montage getoond voor rechterzijde)



4.0 MX2-RUGLEUNING - VERWIJDERBARE MONTAGE

4.2 Benodigd gereedschap

Inbussleutel (4 mm/5 mm) (meegeleverd)

Meetlint/liniaal

! LET OP

Als er montage-onderdelen ontbreken of verkeerd zijn geplaatst, neemt u contact op met uw plaatselijke Invacare/Motion Concepts-vertegenwoordiger voor vervangende onderdelen.

4.3 Montage van MX2-montagebeugel met snelontkoppeling:

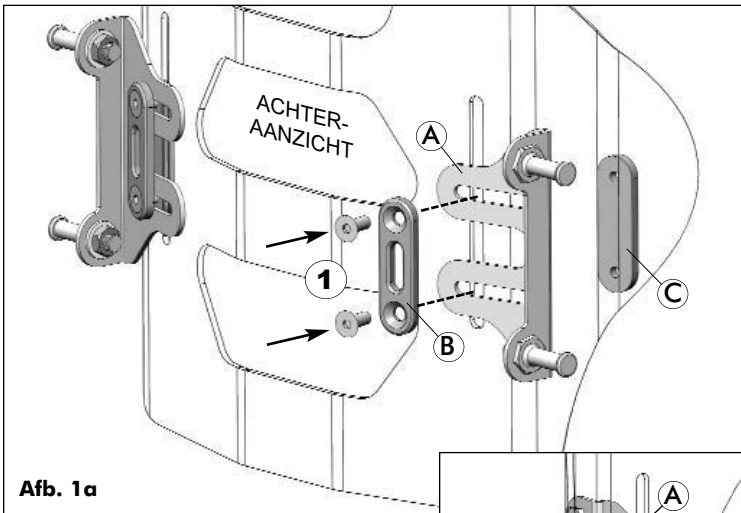
i **OPMERKING:** Voordat de montagebeugels met snelontkoppeling worden gemonteerd

Verwijder de MX2-bekleding voorzichtig door de haak- en lusluitingen van klittenband los te maken langs de boven- en onderrand en aan de binnenkant van de rugschaal.

- 1 Werk aan een kant van de rugschaal en monteer de montagebeugel met snelontkoppeling (A) op de Matrix MX2-rugschaal als volgt:
 - Lijn het sluitringplaatje (B) uit met de gleuven in de montagebeugel (A) en steek de schroeven door beide onderdelen (1); (zie **afb. 1a** [p. 18])
 - Monteer vanaf de achterkant van de rugschaal de 2 uitstekende schroeven van de montagebeugel door de verticale gleuf in de MX2-rugschaal (2); (zie **afb. 1b**)
 - Draai de schroeven om de montagebeugel op de MX2-rugschaal te bevestigen in het moerplaatje (D) aan de voorkant (binnenin) van de rugschaal (3); (zie **afb. 1b**)
- 2 Monteer de andere montagebeugel met snelontkoppeling (A) aan de andere kant van de rugschaal (conform **stap 1** hierboven).

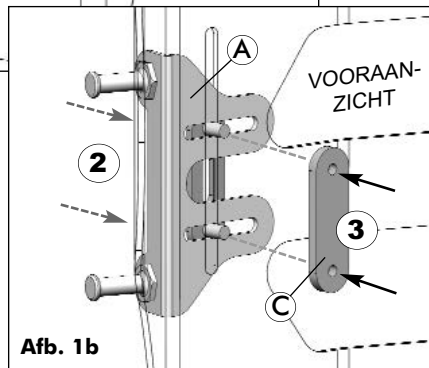
4.0 MX2-RUGLEUNING - VERWIJDERBARE MONTAGE

Montage van montagebeugel met snelontkoppeling



NUTTIGE TIP

De montagebeugels/onderdelen met snelontkoppeling kunnen losjes worden gemonteerd op de MX2-rugschaal als hulpmiddel bij de beugeluitlijning (breedte/hoogte) tijdens montage op de MX2-montageplaten.



4.4 Pre-installatie: MX2-stanglemoriëntatie

ⓘ BELANGRIJK! Voor montage van de gemonteerde MX2-stangklemmen moet eerst de richting van de klemmen worden bepaald.

⚠ WAARSCHUWING! Risico van ernstig letsel

Zorg ervoor dat bij het bepalen van de definitieve montagestand van de Invacare® Matrix® MX2-rugleuning de stabiliteit van de rolstoel niet in het geding komt.

Door het aanpassen van de voorwaartse en achterwaartse stand van de rugleuning verandert het zwaartepunt van de gebruiker in de rolstoel. Een teruggeschoven stand van de rugleuning kan zorgen voor een significante afname van de achterwaartse stabiliteit van de rolstoel. Op dezelfde manier neemt de voorwaartse stabiliteit van de rolstoel af bij een naar voren gekantelde rugleuning.

4.0 MX2-RUGLEUNING - VERWIJDERBARE MONTAGE

Voor een **standaardopstelling** worden de MX2-stangklampen (A) en montageplaten (B) in elkaar gezet en gemonteerd aan de rugleuningstangen in de *meest achterwaartse* positie. Met deze configuratie wordt de beschikbare zitdiepte op de rolstoel maximaal benut; zie **afb. 2**.

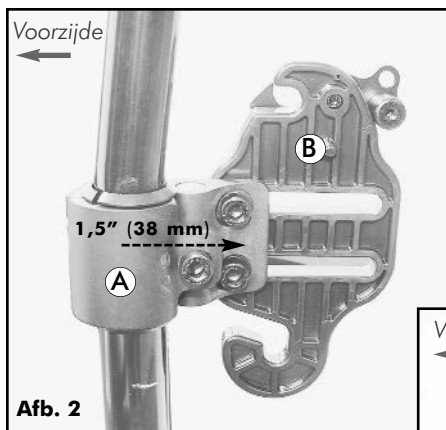
Bij een **gespiegelde configuratie*** worden de stangklampen (A) 180° op de rugleuningstangen gedraaid. Met deze configuratie wordt de beschikbare zitdiepte op de rolstoel tot een minimum beperkt, en wordt de MX2-rugleuning indien nodig meer naar voren gezet; zie **afb. 3**.

De stangklampen (A) zorgen voor voor- en achterwaartse verstelling van **38 mm (1,5")** (ten opzichte van de rugleuningstangen), afhankelijk van de gekozen montagestand.

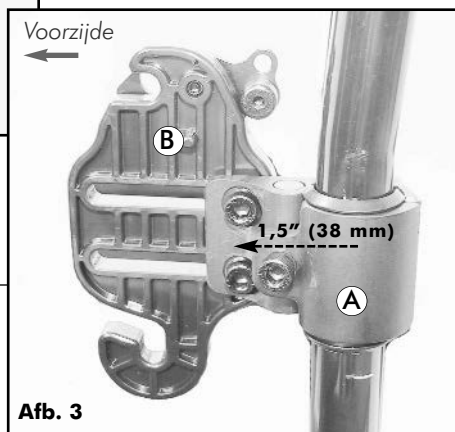
Opmerking: Zie **hoofdstuk 4.8** voor meer instructies over de diepteanpassingen bij de verwijderbare MX2-montage.

***Om een montageplaat/stangklem om te draaien naar in de meest voorwaartse oriëntatie:**

- 1 Demonteer de montageplaat (B) van de stangklem (A) (2 schroeven);
- 2 Draai de stangklem (A) 180° en monteer de montageplaat (B) vervolgens opnieuw in dezelfde richting (zoals geïllustreerd in **afb. 3**)



**Standaardconfiguratie
stangklem
(maximale zitdiepte)**



**Omgekeerde configuratie
stangklem
(minimale zitdiepte)**

4.0 MX2-RUGLEUNING - VERWIJDERBARE MONTAGE

4.5 Montage MX2-stangkleem/montageplaat:

De MX2-stangklemmen zijn ontworpen voor montage op rugleuningstangen met een diameter van 1" (25 mm), 7/8" (22 mm) en 3/4" (19 mm). (Kunststof inzetstukken (A) worden meegeleverd voor rugleuningstangen met een kleinere diameter*).

- 1 Verwijder de aanwezige rugleuning van de rolstoel (indien van toepassing).
- 2 Monteer de gemonteerde stangkleem (B) op elke rugstang in de gewenste configuratie; zie **afb. 4** en **afb. 5** voor een montage-overzicht.

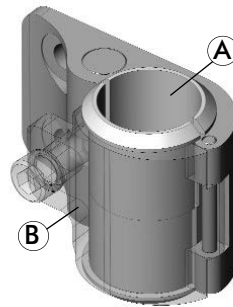
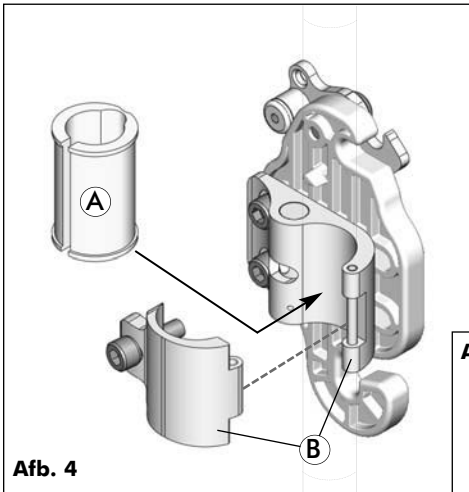
*Rugleuningstangen van verschillende maten gebruiken:

stangen van 1" (25 mm): geen kunststof inzetstukken nodig

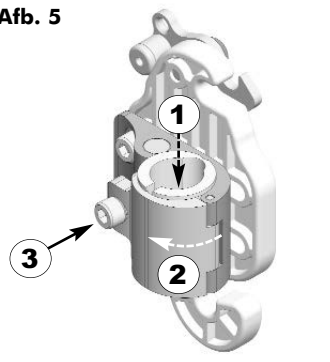
stangen van 7/8" (22 mm): monteer kunststof inzetstukken van 7/8" (22 mm) (x2)

stangen van 3/4" (19 mm): monteer kunststof inzetstukken van 3/4" (19 mm) (x2)

MX2-stangklemmontage



Afb. 5



NUTTIGE TIP

Spuit een kleine hoeveelheid haarlak op de rugleuningstangen en aan de binnenkant van de kunststof inzetstukken voor een stevige antisliphechting.

4.0 MX2-RUGLEUNING - VERWIJDERBARE MONTAGE

- 3 Begin aan één kant met het verschuiven/verstellen van de stangklem (B) tot de gewenste hoogte/stand langs de rugstang en zet die stevig op zijn plek vast.

Opmerking: De uiteindelijke rugleuninghoogte kan verder worden afgesteld na montage van de MX2-rugschaal op de montageplaten

- 4 Bepaal de hoogte van de eerste stangklem vanaf een vast punt op de rolstoel (bijvoorbeeld het zitframe/de spanstang) en zet de tweede stangklem op dezelfde hoogte aan de ertegenover gelegen rugstang vast; zie **afb. 6** hieronder.

Opmerking: Zorg dat de gemonteerde stangklemmen/montageplaten parallel aan elkaar worden bevestigd.

Hoogteaanpassing MX2-stangklem/montageplaat



4.6 De MX2-rugleuning op de montageonderdelen met snelontkoppeling monteren

⚠ WAARSCHUWING! Onjuiste installatie van de montagepennen kan leiden tot schade aan het rugdeel en/of de montageplaten. Zorg dat er voldoende ruimte gecreëerd wordt tussen de montageplaat en de kop van de montagepennen (**een tussenruimte van minimaal 1/8" [3 mm] wordt aanbevolen**).

⚠ WAARSCHUWING! Gebruik **NOOIT** Loctite op montage-onderdelen. Niet-metalen onderdelen kunnen in vervuilde staat in kwaliteit achteruitgaan en broos worden (of breken).

📌 BELANGRIJK! Tenzij anderszins vereist moeten alle aanpassingen **altijd** symmetrisch op de linker- en rechtermontagebeugels worden doorgevoerd.

4.0 MX2-RUGLEUNING - VERWIJDERBARE MONTAGE

i BELANGRIJK! Merk op dat door het losmaken van de montagebeugels met snelontkoppeling (A) gelijktijdig de **breedte en hoogte** van de MX2-rugleuning zullen worden gewijzigd. Lees **alle instructies** door voordat u met de montage begint. Tijdens montage is het raadzaam om aanpassingen op één montagebeugel tegelijkertijd door te voeren.

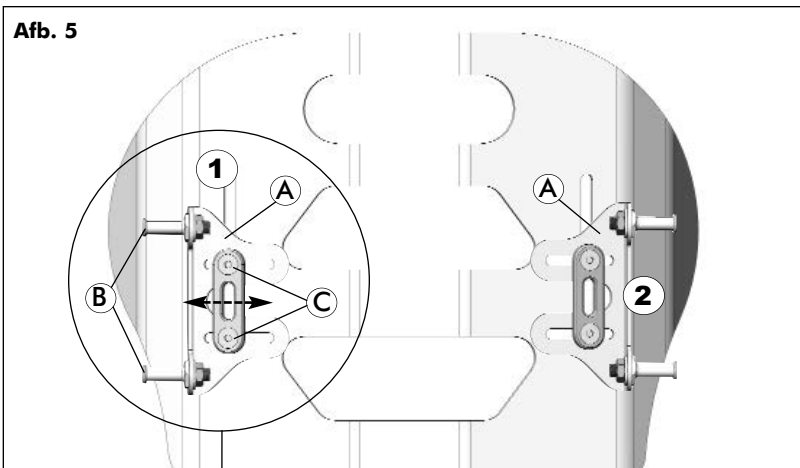
! LET OP

Elke montagebeugel met snelontkoppeling (A) wordt geleverd met voorgemonteerde montagepennen (B) en is ontworpen met sleuven die in breedte verstelbaar zijn, zodat de MX2-rugleuning kan worden gemonteerd op rugleuningstangen die tot 1" (25 mm) **breder of 1" (25 mm) smaller zijn** dan de nominale breedte van de rugleuning.

- 1 Voor montage van de Invacare® Matrix® MX2-rugleuning: (zie **afb. 5**)
 - i. Werk eerst alleen aan de ene kant en maak de sluitringplaat van de montagebeugel en onderdelen (C) los, zodat de montagebeugel met snelkoppeling (A) en montagepennen (B) naar binnen en buiten (1) (indien nodig) kunnen worden versteld voor uitlijning met de montageplaten van de stangklemmen; zie **stap 2. (Afb. 6a/6b)**
 - ii. De andere (tegengestelde) gemonteerde montagebeugel met snelontkoppeling moet vast blijven zitten aan de MX2-rugschaal (2).

Uitlijning montagepen/-beugel met snelontkoppeling (voorgemonteerd)

Afb. 5



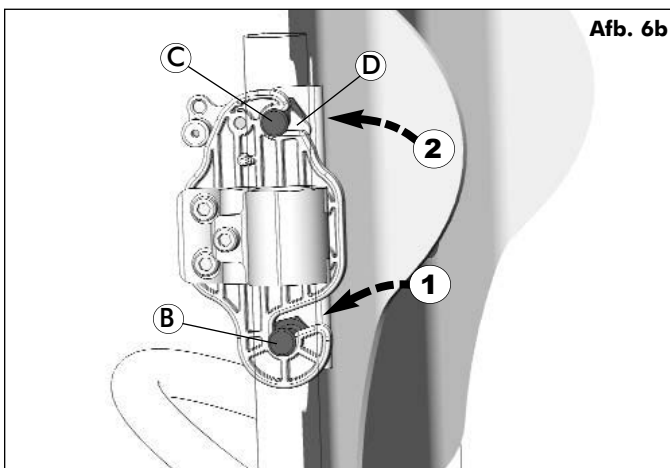
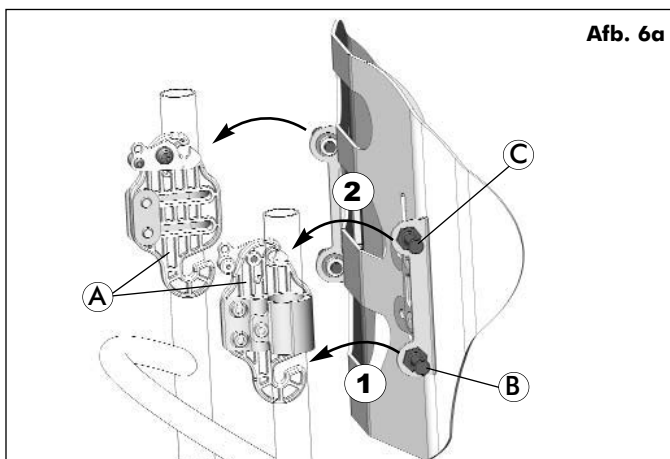
Maak gemonteerde
montagebeugel los
(alleen aan een kant)

4.0 MX2-RUGLEUNING - VERWIJDERBARE MONTAGE

- 2 Monteer de MX2-rugleuning als volgt op de montageplaten (A): (zie **afb. 6a** en **6b**)
- Lijn de onderste montagepennen (B) uit en steek ze in de vastgehaakte sleuven aan de onderkant van elke montageplaat (1).
 - Met de onderste pennen op hun plaats bevestigt/klikt u de bovenste montagepennen (C) in het veerslotmechanisme (D) aan de bovenkant van elke montageplaat (2).

⚠ WAARSCHUWING! Zorg er bij montage van de MX2-rugleuning altijd voor dat de beide veerslotmechanismen (D) helemaal om de bovenste montagepennen zitten.

Montage MX2-rugleuning op montageplaten



4.0 MX2-RUGLEUNING - VERWIJDERBARE MONTAGE

4.7 MX2-rugleuning: met breedte- en hoogteaanspassingen

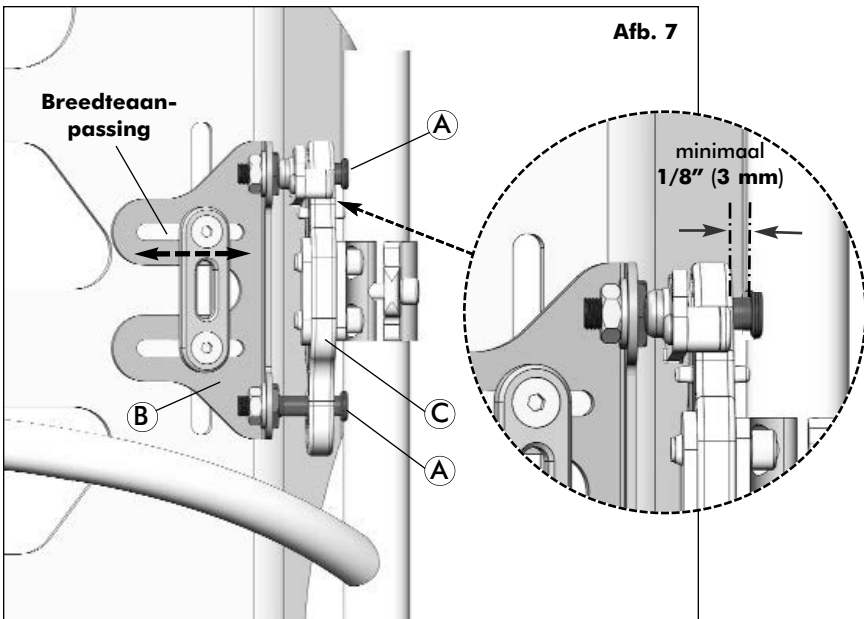
f BELANGRIJK! Merk op dat aanpassingen in de **breedte en hoogte** van de MX2-rugleuning altijd gelijktijdig worden doorgevoerd. Tijdens montage is het raadzaam om aanpassingen aan één beugel tegelijkertijd door te voeren en elke beugel voldoende vast te zetten zodat die tijdens elke aanpassing niet kan wegglijden. De montageonderdelen kunnen na voltooiing van de montage/installatie helemaal worden vastgezet.

- 1 **Breedteaanpassing montagepen:** Met de MX2-rugleuning vastgemaakt aan de montageplaten verstelt u de breedte van de montagepen (A) op elke montagebeugel (B), zodat een **gat van minimaal 3 mm (1/8")** ontstaat tussen de kop van de montagepen en de buitenkant van de montageplaat (C)*. (Zie **afb. 7.**)

***OPMERKING:** Bij een standaardinstallatie van de MX2-rugleuning moet de rugschaal na breedteaanpassing gecentreerd blijven tussen de rugleuningstangen. (Montagebeugels moeten symmetrisch worden afgesteld op de rugschaal)

- 2 Zet beide gemonteerde montagebeugels net genoeg vast zodat ze niet wegglijden.

MX2-montage: installatie/breedteaanpassing montagepen

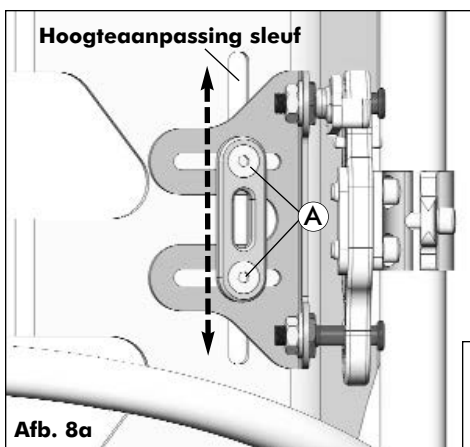


4.0 MX2-RUGLEUNING - VERWIJDERBARE MONTAGE

- Hoogteaanpassing MX2:** De MX2-rugleuninghoogte kan indien nodig worden versteld via de sleuf in de MX2-rugschaal (zie **afb. 8a**). De aanbevolen rughoogte* is ongeveer **13-15 cm (5"-6")** vanaf de bovenkant van het **zitgedeelte** (zitkussen of zittingbak; zie **afb. 8b**).
- Werk eerst aan de ene kant en maak de montagebeugelonderdelen (**A**) los, en schuif de MX2-rugschaal omhoog/omlaag tot de gewenste rughoogte. **OPMERKING:** Het bereik van de **hoogteaanpassing van de MX2-rugleuning** varieert afhankelijk van de hoogte (sleuflengte) op de MX2-rugschaal; zie **tabel 1.0**:
- Zet de montagebeugelplaat/-onderdelen (**A**) vast om de MX2-rugleuning op zijn plaats te houden en zorg ervoor dat de juiste breedte/stand van de montagepen wordt gehandhaafd (*conform* **afb. 7**). Herhaal dezelfde aanpassing van de rughoogte bij de tegengestelde montagebeugel.
- Zodra alle breedte- en hoogteaanspassingen zijn doorgevoerd, zet u **alle** onderdelen vast.

Opmerking: De aanbevolen MX2-rugleuninghoogte wordt alleen als richtlijn aangegeven. Enige variatie kan nodig zijn; zie **Belangrijk! hieronder.*

MX2-montage: aanpassing rughoogte

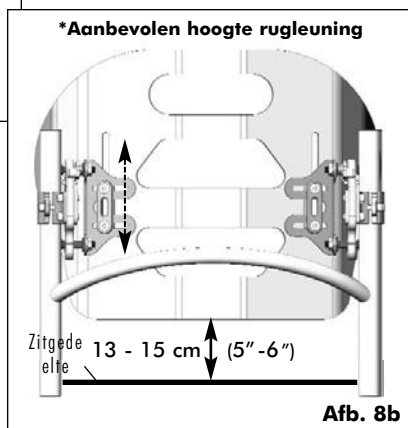


Tabel 1.0:
Hoogteaanpassing MX2 (sleuf)

Rugschaal hoogte	Verstelbereik
6" (150 mm)	1/2" (13 mm)
9" (230 mm)	2" (51 mm)
12" (310 mm)	2" (51 mm)
16" (410 mm)	3,5" (89 mm)

i **BELANGRIJK!**

Zorg er altijd voor dat de onderkant van de rugleuning anatomisch gezien onder de spina iliaca posterior superior (SIPS) zit. Als u vragen of een probleem hebt met de juiste rugleuninghoogte, neemt u contact op met uw leverancier en/of medische zorgverlener voor deskundig advies.



4.0 MX2-RUGLEUNING - VERWIJDERBARE MONTAGE

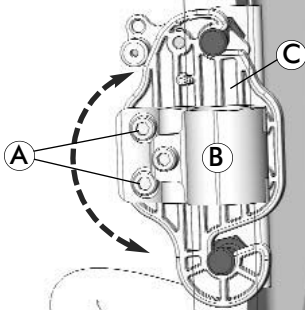
4.8 MX2-rugleuning: aanpassingen hoek en diepte

i BELANGRIJK! Merk op dat aanpassingen van de **hoek en diepte** van de MX2-rugleuning ook gelijktijdig worden doorgevoerd. Deze twee aanpassingen zijn gemakkelijker te voltooien als u eerst de verstelonderdelen losmaakt op beide gemonteerde klemmen. (**Let op:** Bij een standaardmontage moeten de aanpassingen van diepte en hoogte symmetrisch worden doorgevoerd op beide montageplaten.)

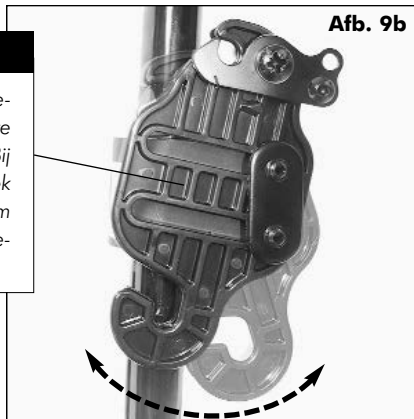
- 1 **Hoekaanpassing van de MX2:** Indien nodig kan de MX2-rughoek worden versteld met de twee stelschroeven voor diepte/hoek (A) op elke gemonteerde montageklem (B) (zie afb. 9a).
- 2 Maak de stelschroeven voor diepte/hoek (x2) op elke gemonteerde klem los en draai de montageplaat (C) naar voren of achteren voor de gewenste rughoek (hoekverstelbereik = $\pm 15^\circ$; zie afb. 9b)

MX2-montage: aanpassing van de rughoek

Afb. 9a



Afb. 9b



Aanpassing van de hoek ($\pm 15^\circ$)

! LET OP

De gegoten verticale lijnen op de montageplaten dienen als referentiepunt om u te helpen bij de symmetrische aanpassingen. Bij het verstellen van de MX2-rugleuninghoek kunt u de verticale lijnen gebruiken om dezelfde hoekaanpassing van beide montageplaten af te stellen.

4.0 MX2-RUGLEUNING - VERWIJDERBARE MONTAGE

- 3 **Diepteaanpassing MX2:** De totale diepte van de MX2-rugleuning wordt afgesteld met twee afzonderlijke aanpassingen:

MX2-stangklemoriëntatie: (zie ook *hoofdstuk 4.4*)

De MX2-stangklemmen (B) kunnen in elke standaard (achterwaartse) richting worden gemonteerd of omgekeerd (voorwaarts) voor een kortere zitdiepte (zie *afb. 10*).

Na de **meest achterwaartse montage (1)** is de diepte van de rugleuning **44 mm (-1,75")**.

Na de **meest voorwaartse montage (2)** is de diepte van de rugleuning **+2,25" (57 mm)**.

(Let op: metingen hebben betrekking op de rugleuningstangen en worden gemeten ten opzichte van de stand van de montagepen.)

Het maximale bereik voor voor-/achterwaartse aanpassing (van de meest achterwaartse montage naar de meest voorwaartse montage) = **4,25" (108 mm)**

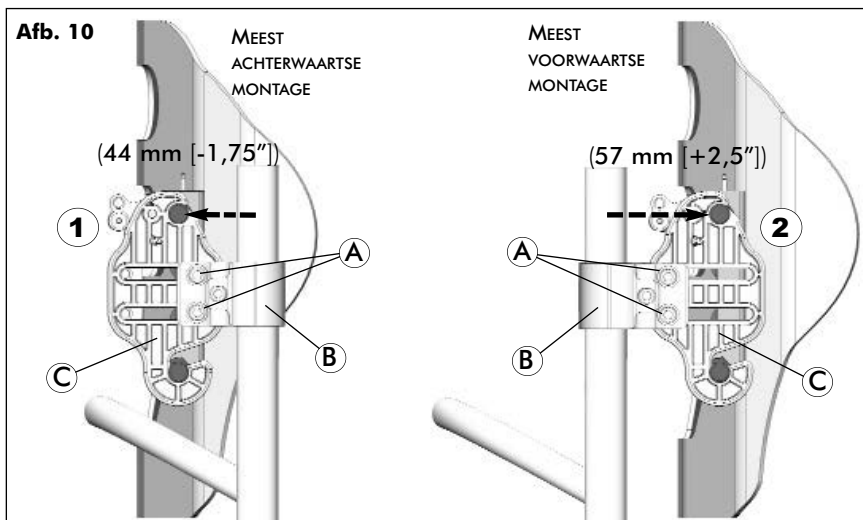
Diepteaanpassing MX2-montageplaat*:

De sleuven in de MX2-montageplaten (C) maken diepteaanpassing van maximaal **1,75" (44 mm)** mogelijk binnen het maximale instelbereik (zie *afb. 11 [p. 28]*).

***OPMERKING:** Het bereik van de beschikbare speling van de diepteaanpassing van de montage is beperkter wanneer de hoek van de MX2-rugleuning wordt aangepast.

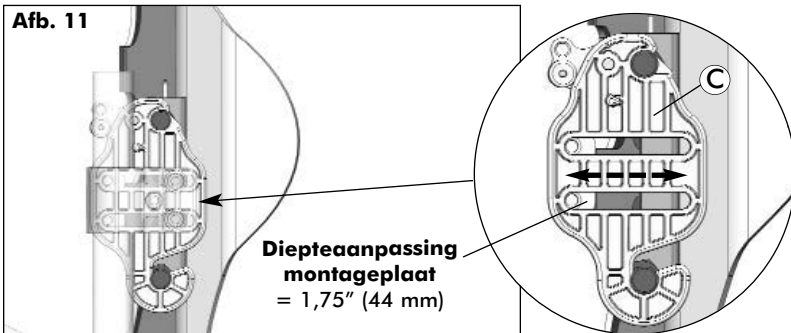
- 4 Voor het aanpassen maakt u de twee stelschroeven (A) op elke gemonteerde stangklem los en schuift u de montageplaten (C) via de aanpassings sleuven naar voren of achteren voor de gewenste rugdiepte.
- 5 Zodra alle hoek- en diepteaanpassingen zijn doorgevoerd, zet u **alle** onderdelen vast.

MX2-montage: diepteaanpassing rugleuning



4.0 MX2-RUGLEUNING - VERWIJDERBARE MONTAGE

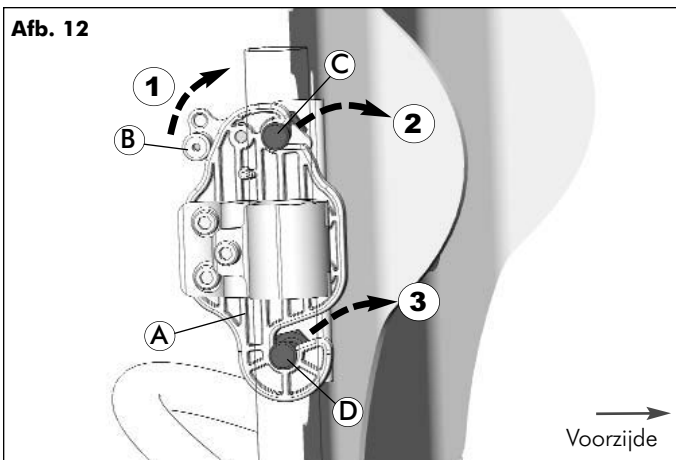
MX2-montage: diepteaanpassing rugleuning



4.9 De MX2-rugleuning verwijderen van onderdelen met snelontkoppeling

- 1 Verwijder/ontkoppel de MX2-rugleuning van de montageplaten (A) als volgt (zie afb. 12 hieronder):
 - i. Til **gelijktijdig**, terwijl u achter de rolstoel staat, het ontgrendelingsmechanisme (B) op beide montageplaatsen op (1);
 - ii. Wanneer de vergrendelingen zich openen, drukt u de bovenkant van de MX2-rugleuning naar voren (2) om de bovenste montagepennen (C) uit de montageplaten (A) te halen.
 - iii. Met de bovenste montagepennen los tilt u de MX2-rugleuning omhoog en naar voren (3) om de onderste montagepennen (D) uit de montageplaten te halen.

De MX2-rugleuning verwijderen/ontkoppelen



5.0 VERZORGING EN ONDERHOUD

5.1 Verzorging en wassen:

i BELANGRIJK! Alle reinigings- en desinfecteringsmiddelen moeten effectief zijn, met elkaar gecombineerd kunnen worden en de te reinigen materialen beschermen.

! LET OP! Risico van beschadiging van het product
GEBRUIK GEEN reinigingsmiddelen die bleek, fenol of alcohol bevatten.

Algemene verzorging en reiniging:

De bekleding kan indien nodig gemakkelijk met een vochtig doekje worden afgenomen.

Wasvoorschriften (buitenbekleding):

1. Verwijder de bekleding voorzichtig door de haak- en lussluitingen van klittenband los te maken langs de boven- en onderrand en aan de binnenkant van de rugschaal.

OPMERKING: Haal voor het wassen het binnenste schuimkussen uit de bekleding.

2. Machinewasbaar op 60 °C op een fijnwasprogramma (zie instructies op het label).

i BELANGRIJK! Als u de bekleding op hogere temperaturen wast, kan deze krimpen

3. Hang de bekleding op en laat deze in een schone binnenomgeving uitdruipen;
of
droog de bekleding op een lage temperatuur in de droger.

i BELANGRIJK!

- De droger mag niet hoger dan op 40 °C worden ingesteld
- Gebruik de droger niet langer dan 10 minuten
- Droog zorgvuldig voordat u het schuim weer terugplaatst
- Niet strijken
- Niet stomen

5.2 Onderhoud en inspectie

Maandelijks: Controleer met het oog de onderdelen, waaronder de beugels, de bekleding, het schuim en het kunststof op vervorming, roestvorming, breuken, slijtage of samenpersing.

! WAARSCHUWING! Gevaar voor letsel of beschadiging

Controleer wekelijks ALLE sluitingen om er zeker van te zijn dat mechanische verbindingen en bevestigde onderdelen stevig zijn vastgemaakt.

Als u problemen ontdekt, maak dan GEEN gebruik meer van dit product. Herstelmaatregelen kunnen bij of via de leverancier van de onderdelen worden uitgevoerd of geregeld.

6.0 MX2-OPTIES

6.1 (Optioneel) Installeren/aanpassen van lendesteun

! LET OP

De **lendesteun** is een vooraf vervaardigd inzetstuk van schuim waarmee ondersteuning van de onderrug wordt verkregen voor extra comfort. De positie van het lende-inzetstuk kan worden afgesteld aan de binnenkant van de Invacare® Matr[®] MX2-bekleding (zie *onderstaande instructies*), maar kan er ook uit worden gehaald als u geen lendesteun wilt.

1. Voor toegang tot de lendesteun maakt u de haak- en lusluiting los op de bekleding A onderaan de achterzijde van de rugschaal.
2. De lendesteun van schuim B wordt aan de binnenkant van de Invacare® Matr[®] MX2-bekleding tussen het rugkussen van schuim C en de rugschaal D geschoven.
3. De lendesteun kan nu op de gewenste hoogte/positie worden afgesteld.
4. Maak de bekleding (via haak en lusbanden) weer vast aan het rugdeel.

Lendesteun



***OPMERKING:** Het schuim van het inzetstuk kan op basis van de behoeften van de eindgebruiker worden bijgesneden.



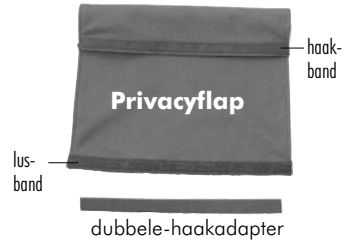
6.0 MX2-OPTIES

6.2 (Optioneel) Privacyflap (apart verkocht)

Privacyflappen zijn leverbaar (worden apart verkocht) voor gebruik bij alle standaardmaten MX2-rugleuningen. Alle standaardmaten rugleuningen worden geleverd met een voorgenaaide lusband onder aan de achterkant van de kussenbekleding, zodat de privacyflap kan worden gemonteerd.

Raadpleeg de tabel voor de juiste grootte van de privacyflap voor de MX2-rugleuning.

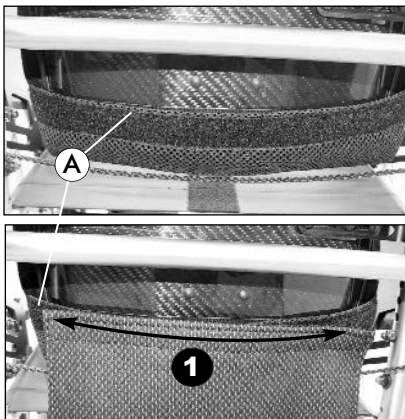
BREEDTE	PRIVACYFLAP
14" (36 cm)	PFLAP-XS 10" x 16" (26 cm x 41 cm)
15" (38 cm)	PFLAP-S 13" x 16" (33 cm x 41 cm)
16" (41 cm)	
17" (43 cm)	PFLAP-M 15" x 16" (38 cm x 41 cm)
18" (46 cm)	



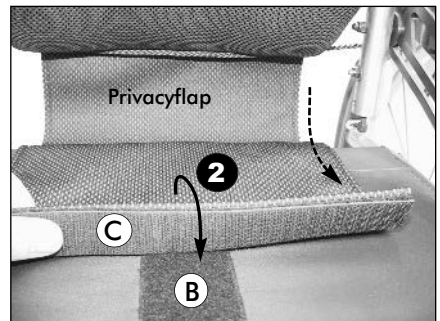
Installatie-instructies:

1. Verwijder het zitkussen van de rolstoel (indien geplaatst).
2. Verzeker u ervan dat de rugleuning op de gewenste hoogte is afgesteld. (zie hoofdstuk 4.0, afbeelding 8.)
3. Staand achter de rolstoel (en op de voorkant gericht); plaats de haakband op de privacyflap op de lusband die onderaan in de achterkant van de MX2-rugleuninghoes is genaaid (A) (zie stap 1 hieronder).
4. Trek het tegenovergestelde (niet-vastgezette) uiteinde van de privacyflap door de ruimte tussen de onderste rugschaal en de rolstoelzitting.
5. Zet de lusband op de privacyflap vast aan het klittenband* (B) aan de draagbandzitting of zittingbak van de rolstoel. (zie stap 2 hieronder).

***OPMERKING:** Als op de rolstoelzitting een passende lusband zit, zet u de privacyflap vast met de meegeleverde dubbele-haakadapterband (C).



ACHTERAANZICHT



VOORAANZICHT

matrix[®]
SEATING SERIES



Matrix MX2 seljatoe

riistvara **FIKSEERITUD KINNITUSE**
jaoks ja **EEMALDATAVA**
KINNITUSE jaoks

PAIGALDAMINE/SEADISTAMINE

i TÄHTIS! Käesolevas juhendis sisalduvaid paigaldustoiminguid tohib teha ainult kvalifitseeritud tehnik.

EDASIMÜÜJA: see juhend TULEB anda toote kasutajale.

KASUTAJALE: lugege juhendit enne toote kasutamist ja jätke hilisemaks kasutamiseks alles.



TRD0439 Rev B

GARANTII

TÄHELEPANU! GARANTII VASTAB FÖDERAALSELE SEADUSELE, MIS KEHTIB PÄRAST 1975. AASTA 4. JUULIT TOODETUD TOODETELE.

Garantii kehtib ainult toote esialgsele ostjale/kasutajale. Garantii annab kindlad õigushüved, aga riigist olenevalt võivad teil olla veel muud õigushüved. Invacare/Motion Concepts annab toote materjalidele ja tööle kaheaastase garantii, kui seda kasutab esialgne ostja. Garantii ei kehti torkeaukude, rebendite, põletusaukude ega eemaldatava padjakatte kohta. Kui garantii kehtivuse ajal ilmneb tootel puuduseid, parandab Invacare/Motion Concepts toote või vahetab selle parandatud või uue osa vastu välja. Varuosa paigaldamise või parandamisega seotud töö- või transpordikulud ei kuulu garantii alla. Garantii ei pikene toote parandamisega. Parandatud toote garantii lõpeb selle piiratud garantii kehtivuse lõppemisel. Invacare'i/Motion Conceptsi ainus kohustus ja teie eksklusiivne õigus selle garantii järgi piirdub selliste paranduste ja/või osade väljavahetamisega. Garantiihoolduse jaoks võtke ühendust edasimüüjaga, kelle käest Invacare'i/Motion Conceptsi toote ostsite. Kui garantiihooldus ei olnud rahuldav, kirjutage Invacare'ile/Motion Conceptsile aadressil, mille leiate juhendi tagaküljelt. Saatke meile edasimüüja nimi, aadress, mudeli number, ostu kuupäev, vea tüüp, ja kui tootel on seerianumber, lisage ka see.

Invacare Corporation/Motion Concepts saadab kinnituse, et võite toote tagasi saata. Pärast kinnituse saamist tuleb vigane osa kolmekümne (30) päeva jooksul garantiikontrolli saata, kasutades võimalusel osa tuvastamiseks seerianumbrit.

ÄRGE saatke tehasesse tooteid ilma meie eelneva nõusolekuta. Saadetsi, mille eest tuleb kättesaamisel tasuda, ei võeta vastu. Tasuge saatmiskulud enne saatmist.

PIIRANGUD JA ERANDID. GARANTII EI KEHTI TAVALISEST KULUMISEST TINGITUD PROBLEEMIDE KORRAL VÕI KUI KASUTAJA EI PEA KINNI KAASAS OLNUD JUHENDITEST. LISAKS EI KEHTI GARANTII SEERIANUMBRIEGA TOODETE PUHUL, MILLE SEERIANUMBER ON EEMALDATUD VÕI MOONUTATUD, MIDA EI OLE HOOLDATUD, ÕIGESTI KASUTATUD VÕI HOIUSTATUD, MILLEGA ON JUHTUNUD ÕNNETUS VÕI MIDA ON MUUDETUD ILMA INVACARE'I/MOTION CONCEPTSI SELGE KIRJALIKU LOATA, SEALHULGAS JÄRGMISTEL JUHTUDEL. TOOTE MUUTMINE HEAKS KIITMATA OSADE VÕI TÄIENDAVA VARUSTUSEGA: TOOTED, MIS ON KAHJUSTADA SAANUD OSA PARANDAMISE TÕTTU, MIDA ON TEHTUD ILMA INVACARE'I/MOTION CONCEPTSI SELGESÕNALISE NÕUSOLEKUTA; TOOTED, MIS ON KAHJUSTADA SAANUD INVACARE'IST/MOTION CONCEPTSIST OLENEMATUDEL ASJAOLUDEL; TOOTED, MIDA ON PARANDANUD KEEGI TEINE PEALE INVACARE'I/MOTION CONCEPTSI EDASIMÜÜJA. SELLISE HIINNANGU ANNAB TOOTELE AINULT INVACARE/MOTION CONCEPTS.

GARANTII ON EKSKLUSIIVNE JA KEHTIB KÕIGI TEISTE GARANTIIDE ASEMEL, KAASA ARVATUD MÜÜGIKÕLBLIKKUSE JA TEATUD OTSTARBEKS SOBIVUSE GARANTIIDE ASEMEL. SEE EI KEHTI KAUEM SIINKOHAL TOODUD GARANTII KEHTIVUSAJAST JA MIS TAHES GARANTII RIKKUMISTE KORVAMINE PIIRDUB VIGASE TOOTE PARANDAMISE VÕI VÄLJAVAHETAMISEGA SIINKOHAL TOODUD TINGIMUSTE JÄRGI. INVACARE/MOTION CONCEPTS EI VASTUTA KAUDSETE EGA JUHUSLIKE KAHJUSTUSTE EEST. GARANTIID LAIENDATAKSE, ET SEE VASTAKS RIIGI SEADUSTELE JA NÕUETELE.

Juhendit ei tohi osaliselt ega täielikult paljundada ega uuesti trükkida ilma Motion Concepts'i või ettevõtte seadusjärgsete esindajate eelneva kirjaliku nõusolekuta.


Kasutusjuhend sisaldab uusimaid tehnilisi andmeid ja tooteteavet, mis on kättesaadavad trükkimise hetkel. Jätame endale õiguse teha mis tahes vajalikke muudatusi. Kõik meie toodetesse tehtud muudatused võivad selles juhendis ja teie ostetud toote illustatsioonide ja selgituste vahel põhjustada väikseid erinevusi. Kui teil tekib juhendis esitatud teabe suhtes küsimusi või muresid, võtke abi saamiseks ühendust meie klienditeenindusega.


Sisukord


- 1.0 Üldised hoiatused
- 2.0 Ohutusteave
- 3.0 MX2 paigaldus/reguleerimine - **fikseeritud kinnitus**
- 4.0 MX2 paigaldus/reguleerimine - **eemaldatav kinnitus**
- 5.0 Hooldamisjuhised
- 6.0 MX2 valikud


OHUTUSSÜMBOLID:

Teie Invacare Matrix MX2 seljatoe õige seadistamine ja ohutu kasutamine sõltuvad teie enda, aga ka teie teenuseosutaja, hooldaja ja/või tervishoiutöötaja parimatest hinnangutest ja üldistest teadmistest. Käesolevas kasutusjuhendis kasutatakse hoiatuste, ohtude ja oluliste märkuste tähistamiseks järgmiseid sümboleid. See on väga oluline, et loeksite ja saaksite neist täielikult aru.

 **ETTEVAATUST!** Käesolevas juhendis esitatud hoiatuste eiramine võib teie Matrix istumistoodet kahjustada.

 **HOIATUS!** Käesolevas juhendis esitatud hoiatuste eiramine võib põhjustada vigastusi.

 **TÄHTIS!** Oluline teave, mida tuleb meeles pidada, kui paigaldate ja seadistate oma Matrix istumistoodet.

 **TÄHTIS!** Ratastooli kasutamisega seotud täiendava ohutusteabe, hoiatuste ja ettevaatusabinõudega tutvumiseks vaadake ratastooli kasutaja/käitaja juhendit.

1.0 ÜLDISED HOIATUSED / TEAVE

1.1 Ülevaade

HOIATUS KASUTAJALE

ÄRGE KASUTAGE SEDA TOODET EGA MIS TAHES SAADAVAL OLEVAID VALIKULISI SEADMEID, KUI TE EI OLE NEID JUHISEID JA TÄIENDAVAID JUHENDEID (NT KASUTUSJUHE, HOOLDUSJUHE VÕI TOOTE VÕI VALIKULISTE SEADMETEGA KAASAS OLNUD JUHIS) LÄBI LUGENUD NING NEIST ARU SAANUD. KUI TE EI SAA HOIATUSTEST, ETTEVAATUSABINÕUDEST VÕI JUHISTEST ARU, VÕTKE ENNE TOOTE KASUTAMIST ÜHENDUST TERVISHOIUTÖÖTAJA, EDASIMÜÜJA VÕI TEHNIKUGA. VASTASEL JUHUL VÕIVAD TAGAJÄRJEKS OLLA VIGASTUSED VÕI KAHJUSTUSED.

OLULINE TEAVE

Kõige parem viis lamatistega seotud probleemide vältimiseks on teada nende tekkepõhjusi ja mõista oma osa nahahooldusprogrammis. Kui teil on küsimusi isiklike piirangute ja vajaduste kohta, pidage nõu oma arstiga.

Kõik seljapadjad tuleb hoolikalt valida. Arstiga koostööd tehes saate kindlustada, et valitud padi vastab teie vajadustele. Kuna inimeste vajadused muutuvad aina keerulisemaks, muutub ka valimine tähtsamaks.


Invacare® Matrux® MX2 seljatoed

Invacare® Matrux® MX2 seljatugi on tehtud nii, et selle saaks ratastoolis kehaasendi optimaalse toetamiseks täpselt paigutada. Vaht on täiendava mugavuse ja kaitse pakkumiseks suurem kui tavaliselt.

Invacare® Matrux® MX2 seljatoel on ka liigutatav vaht-nimmetugi, mille saab asendi paremaks määramiseks panna olemasoleva vahtpadja taha. Vt **peatükki 6.0 - "Nimmetugi"**.

Ümbriskate on tehtud hingavast spetsiaalvõrgust, mis on vastupidavuse tagamiseks kombineeritud dermatiiniga. Seda soovitatakse regulaarselt puhastada ja kontrollida. Vt **jaotist 5.0 - "Hooldamine"**.

1.2 Toodete kulumine

 TÄHTIS! Toodete ja komponentide loomulik kulumine hõlmab muuhulgas järgmisi osi: kõik polstertooted, sealhulgas seljatoe polster ja padjad.

Invacare jätab endale õiguse küsida tagasi väidetava töödefektiga esemeid. Vaadake konkreetset garantiiteavet jaotisest **"Garantiijuhised"** (tagalehel).

Vaadake kasutusjuhendist teavet toote sobiva ennetava hoolduse ajakava ja kasutamise kohta. See on ainult üldine suunis ega hõlma kuritarvitamise ja väärkasutamise tõttu kahjustunud tooteid. Kasulik tööiga on paljudest teguritest.

1.3 Sihtotstarve

Meie Invacare® Matrux® MX2 seljatoed on tehtud nii, et neid saaks ratastoolis kehaasendi optimaalseks toetamiseks täpselt paigutada.

2.0 OHUTUSTEAVE

2.1 Transpordiga seotud hoiatused

▲ HOIATUS!

Esineb raskete vigastuste oht, kui klienti transporditakse mootorsõidukis Invacare® Matrux® MX2 seljatoega varustatud ratastoolis.

- Invacare'i soovitusel peaks klient ratastooli asemel võimaluse korral istuma mootorsõiduki istmel ja kasutama süle- või diagonaalturnavööd.
- Invacare® Matrux® MX2 seljatugesid tohib kasutada ainult selliste ratastoolidega, mis vastavad standardi RESNA WC19 või ISO 7176-19 toimumisnõuetele.
- Kliendi ohutuks transportimiseks ratastoolis mootorsõidukis tutvuge ratastooli ning rihmade ja sõitjate kinnitussüsteemi kasutusjuhenditega.

2.2 Üldine ohutus

▲ HOIATUS! Surma, raske vigastuse või kahjustuse oht

Toote vale kasutus võib põhjustada surma, raskeid vigastusi või kahjustusi. Kui te ei saa hoiatustest, ettevaatusabinõudest või juhistest aru, võtke enne toote kasutamist ühendust tervishoiutöötaja või edasimüüjaga. ÄRGE kasutage toodet ega mistahes saadaolevaid valikulisi lisaseadmeid, enne kui olete need juhised ja muud tootega või valikuliste lisaseadmetega kaasas olnud juhendid, näiteks kasutus- või hooldusjuhendi või juhistelehed läbi lugenud ja endale selgeks teinud.

▲ HOIATUS! Surma, raske vigastuse või kahjustuse oht

Polsterdatud istmesüsteemile kukkunud süütatud sigaretid võivad põhjustada tulekahju, mis võib lõppeda surma, raske vigastuse või kahjustusega. Ratastoolis liikujatel on neist tulekahjustest ja suitsust tekkiva surma või raske vigastuse oht eriti suur, kuna neil võib puududa võimalus ratastoolist eemalduda.

- ÄRGE SUITSETAGE ratastooli kasutamisel.

▲ HOIATUS! Vigastuseoht

Invacare® Matrux® tooted on spetsiaalselt konstrueeritud ja toodetud nii, et neid saaks kasutada koos Invacare® Matrux® lisaseadmetega. Invacare ei ole teiste tootjate lisaseadmeid testinud ja neid ei soovitata Invacare® Matrux® toodetega kasutada.

▲ HOIATUS! Vigastuseoht

Pärast mistahes uue istmesüsteemi paigaldamist tuleb nahka tihti kontrollida. Kui teil on küsimusi isiklike piirangute ja vajaduste kohta, pidage nõu oma arstiga. Kuna inimeste vajadused muutuvad aina keerulisemaks, muutub ka valimine tähtsamaks.

2.0 OHUTUSTEAVE

2.3 Paigaldushoiatused

⚠ HOIATUS! Raske vigastuse oht

Veenduge Invacare® Matr[®] MX2 seljatoe paigaldusasendit määrates, et see ei mõjutaks ratastooli stabiilsust. Seljatoe eesmise ja tagumise asendi reguleerimine muudab kasutaja raskuskeset ratastoolis. Tahapoole kallutatud seljatugi vähendab oluliselt ratastooli tagumise osa stabiilsust. Sarnaselt vähendab rohkem ettepoole kallutatud seljatugi oluliselt ratastooli eesmise osa stabiilsust.

⚠ HOIATUS! Raskete vigastuste või kahjustuste oht

- Selles juhendis kirjeldatud protseduuri peab tegema kvalifitseeritud tehnik.
- Lõdvalt kinnitatud tarvikute kasutamisel võib tekkida ebastabiilsus, mis võib põhjustada raske vigastuse või kahjustuse.
- Veenduge pärast MISTAHES reguleerimis-, parandus- või hooldustööd ja enne kasutamist, et kõik kinnitusvahendid oleksid olemas ja kindlalt kinni.
- ÄRGE paigaldage Invacare® Matr[®] MX2 seljatoekoostet seljatoe torudele, mille välisdiameeter on suurem kui 25 mm (1 toll) või väiksem kui 19 mm (3/4 tolli). Vastasel juhul võib see põhjustada vigastusi või kahjustusi.
- Invacare® Matr[®] MX2 seljatugi ei ole ette nähtud tugevdatud istmekomplektidele.
- Invacare® Matr[®] MX2 seljatugi on otseselt seotud ratastooli stabiilsusega. Enne kasutamist võib olla vaja muuta esirataste, tagarataste asendit, seljatoe nurka, kallet ja/või istme sügavust.
- Veenduge enne kasutamist, et Invacare® Matr[®] MX2 seljatugi on korralikult ratastooli külge kinnitatud. Muidu võib see põhjustada vigastusi või kahjustusi.

⚠ HOIATUS! Raskete vigastuste või kahjustuste oht

Tarnitud kinnitid on väga tugevad ja nende vastupidavust on testitud.

ÄRGE vahetage kinniteid teiste vastu. Kasutage ainult Matr MX2 originaalosi.

2.4 Seljatoe suurused / koormustaluvus:

KONFIGUREERITUD MUDEL	KIRJELDUS	KONTUURI SÜGAVUS	KOORMUSTALUVUS
IMX2IIkk	Matrx MX2 seljatugi	76 mm (3 tolli)	113 kg (250 naela)

* IIkk = laius/kõrgus

Saadaval suurused: Laius: 355 mm – 460 mm (14–18 tolli);
Kõrgus: 150 mm (6 tolli), 230 mm (9 tolli), 310 mm (12 tolli),
410 mm (16 tolli)

Teie vajadustele vastava seljatoe mudeli/suuruse määramiseks võtke ühendust oma edasimüüja või arstiga. Täpsema teabe saamiseks meie Matr seljatugede kohta, sealhulgas kõigi mudelite/suuruste kohta, külastage veebilehte www.motionconcepts.com või www.invacare.com.

3.0 MX2 SELJATUGI – FIKSEERITUD KINNITUSE PAIGALDUS/REGULEERIMINE

3.1 Fikseeritud paigaldusvahendite komplekt

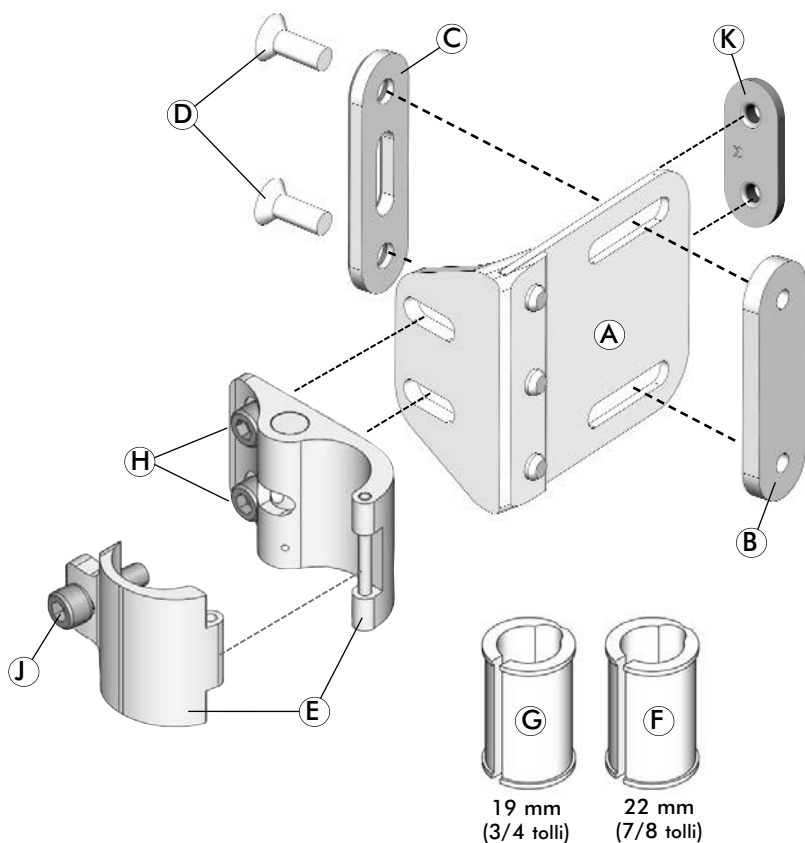
i) Klambrikooste paigaldamine (paigaldatakse Mx2 seljatoe korpusele):

- | | |
|---|--|
| 2 - Fikseeritud paigaldusklambrid (A) | 2 - Fikseeritud klambri seibiplaadid (C) |
| 2 - Fikseeritud klambri keermeplaadid (B) | 4 - Fikseeritud klambri kruvid (D) |

ii) Toruklambri kooste (paigaldatakse ratastooli seljatoe torude külge):

- | | |
|---|---|
| 2 - Seljatoe toru klamber (E) | 4 - Sügavuse/kalde reguleerimise kruvid (H) |
| 2 - Seljatoe toru vahetükid 22 mm (7/8 tolli) (F) | 2 - Seljatoe toru klambri kruvid (J) |
| 2 - Seljatoe toru vahetükid 19 mm (3/4 tolli) (G) | 2 - Seljatoe toru klambri keermeplaadid (K) |

(näidatud parempoolsete osade paigaldamine)



3.0 MX2 SELJATUGI – FIKSEERITUD KINNITUSE PAIGALDUS/REGULEERIMINE

3.2 Vajalikud tööriistad

Kuuskantvõti (4 mm / 5 mm) (kaasas)

Mõõdulint/joonlaud

! TÄHELEPANU

Kui mõni paigaldusvahend on puudu või kadunud, võtke ühendust oma kohaliku Invacare/Motion Concepts esindajaga ja teile saadetakse vajalikud asendusosad.

3.3 MX2 fikseeritud kinnitusklambri paigaldamine

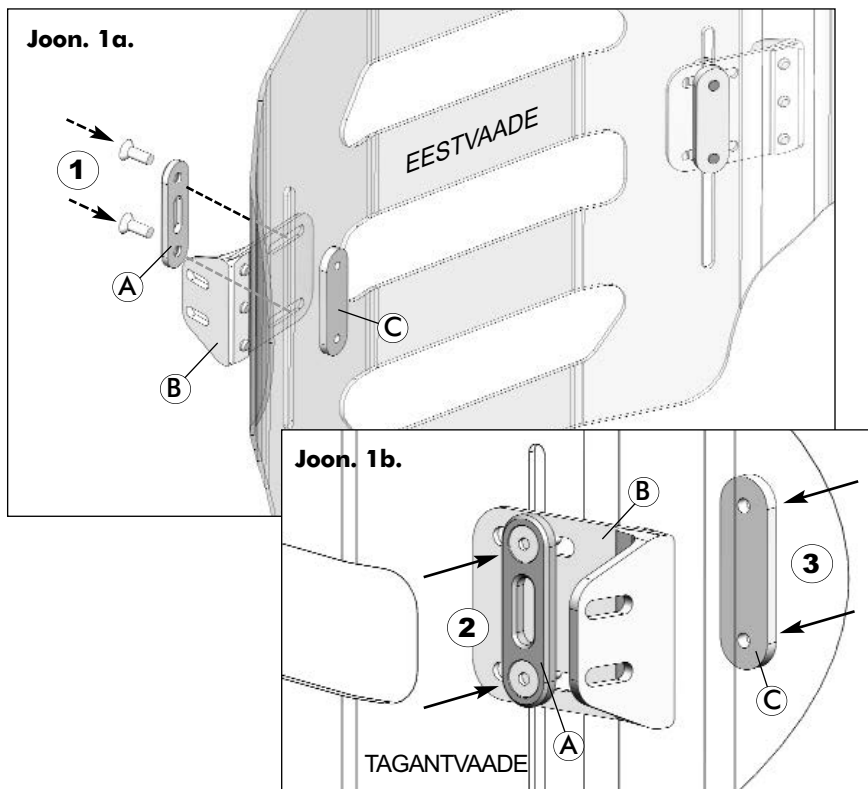
1 MÄRKUS. Enne fikseeritud kinnitusklambrite paigaldamist

Eemaldage või vabastage MX2 kate ettevaatlikult, tõmmates seljatoe korpuse alumisel äärel ning sees olevad takjapaelad lahti.

- 1 Töötades seljatoe korpuse ühel küljel, paigaldage fikseeritud kinnitusklamber Invacare[®]Matrx[®]MX2 seljatoe korpuse külge järgmisel viisil.
 - Joondage seibiplaat (A) piludega fikseeritud kinnitusklambri (B) ja sisestage kruvid mõlemasse komponenti (1); (vt **joon. 1a**)
 - Paigaldage seljatoe korpuse tagaküljel kinnitusklambri kaks eenduvat kruvi MX2 seljatoe korpuse vertikaalsesse pilusse (2); (vt **joon. 1b**)
 - Kinnitusklambri kinnitamiseks MX2 seljatoe korpuse külge keerake kruvid keermeplaati(C), mis paikneb seljatoe korpuse eesküljel (sees) (3); (vt **joon. 1b**)
- 2 Paigaldage teine fikseeritud kinnitusklamber seljatoe korpuse vastasküljele (nagu tehti ülal **1. sammus**).

3.0 MX2 SELJATUGI – FIKSEERITUD KINNITUSE PAIGALDUS/REGULEERIMINE

Fikseeritud kinnitusklambri paigaldamine



3.4 Enne paigaldamist MX2 seljatoe toru klambri suund:

! **TÄHTIS!** Enne MX2 seljatoe toru klambrite paigaldamist tuleb klambrite suund kindlaks määrata.

Standardkonfiguratsiooni korral pannakse toruklambrid (A) kokku ja paigaldatakse seljatoe torude külge täielikult *tahapoole* suunatuna. Selline konfiguratsioon suurendab ratastooli istme sügavust - vt **joon. 2a**.

Ümberpööratud **konfiguratsiooni korral*** on toruklambrid (A) seljatoe torudel 180° võrra pööratud. Selline konfiguratsioon vähendab ratastooli istme sügavust ja viib MX2 seljatoe vajadusel rohkem eesmisse asendisse - vt **joon. 2b**.

Toruklambrid (A) võimaldavad **38 mm (1,5 tolli)** võrra eel- või järelreguleerimist (vastavalt seljatoe torule), lähtudes valitud paigalduskonfiguratsioonist.

3.0 MX2 SELJATUGI – FIKSEERITUD KINNITUSE PAIGALDUS/REGULEERIMINE

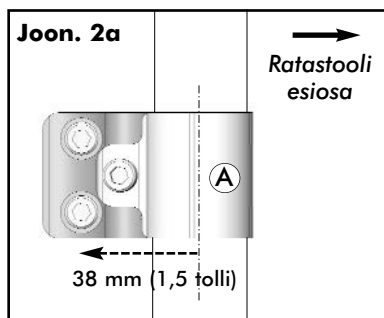
3.4 Enne paigaldamist MX2 seljatoe toru klambri suund: (jätkub)

⚠ HOIATUS! Raske vigastuse oht

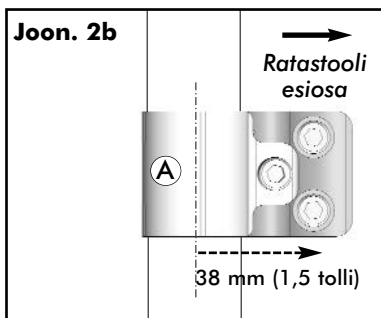
Veenduge Invacare® MatrX® MX2 seljatoe paigaldusasendi lõplikul määramisel, et see ei mõjutaks ratastooli stabiilsust.

Seljatoe eesmise ja tagumise asendi reguleerimine muudab kasutaja raskuskeset ratastoolis. Tahapoole kallutatud seljatugi vähendab oluliselt ratastooli tagumise osa stabiilsust. Sarnaselt vähendab rohkem ettepoole kallutatud seljatugi oluliselt ratastooli eesmise osa stabiilsust.

MX2 seljatoe toru klambri suund



Standardne toru klambrikonfiguratsioon
(istme maksimaalne sügavus)



Ümberpööratud toru klambrikonfiguratsioon
(istme minimaalne sügavus)

3.5 MX2 seljatoe toru klambri paigaldamine

MX2 toruklambrid on konstrueeritud nii, et neid on võimalik paigaldada seljatoe torudele läbimõõduga 25 mm (1 toll), 22 mm (7/8 tolli) ja 19 mm (3/4 tolli). (Plastist sisetükid (A) on kaasas selleks, et oleks võimalik paigaldada ka väiksema läbimõõduga seljatoe torusid*).

- 1 Vajadusel eemaldage ratastooli seljatugi.
- 2 Paigaldage toru klambrikooste lõdvalt (B) igale seljatoe torule soovitud suunas - paigaldusega tutvumiseks vt **joon. 3** ja **joon. 4**.

*Eri suurusega seljatoe torude paigaldamine

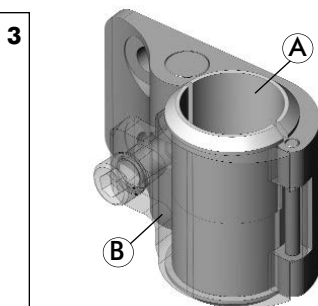
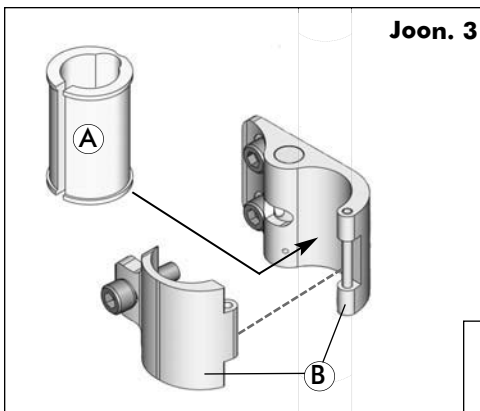
25 mm (1 toll) torud - plastist sisetükke ei ole vaja

22 mm (7/8 tolli) torud - paigaldage 22 mm (7/8 tolli) plastist sisetükid (2 tk)

19 mm (3/4 tolli) torud - paigaldage 19 mm (3/4 tolli) plastist sisetükid (2 tk)

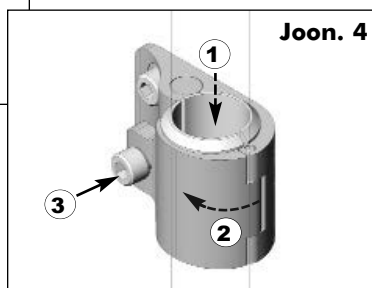
3.0 MX2 SELJATUGI – FIKSEERITUD KINNITUSE PAIGALDUS/REGULEERIMINE

MX2 seljatoe toru klambri paigaldamine



ABISTAV VIHJE

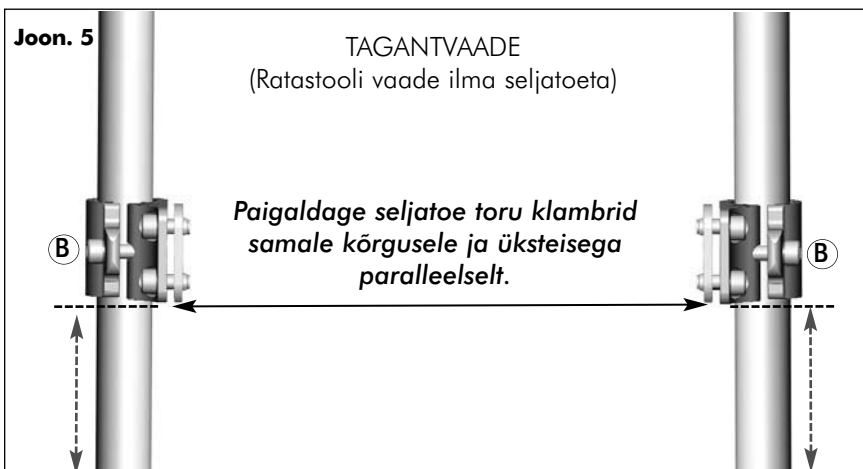
Pihustage seljatoe torudele ja plastist sisetükkide sisse väike kogus juukselakki, et tekitada kindel mittelibisev ühendus.



- Alustades ühelt küljelt, libistage/reguleerige seljatoe toru klambrikooste (B) seljatoe torul soovitud kõrgusele/asendisse ja keerake kindlalt kinni.

Märkus. Pärast MX2 seljatoe korpuse paigaldamist toru klambritele saab seljatoe lõppkõrgust täiendavalt reguleerida/peenseadistada (vt **joon. 5**)

MX2 seljatoe klambri kõrguse reguleerimine



3.0 MX2 SELJATUGI – FIKSEERITUD KINNITUSE PAIGALDUS/REGULEERIMINE

3.5 MX2 seljatoe toru klambri paigaldamine (jätkub)

- 1 Mõõtkte ratastooli fikseeritud punktist (nt istme raamist/stabilisaatorist) esimese toruklambri kõrgus (B) ja kinnitage teine klamber teisele postile (B) täpselt samale kõrgusele (vt joon. 5).

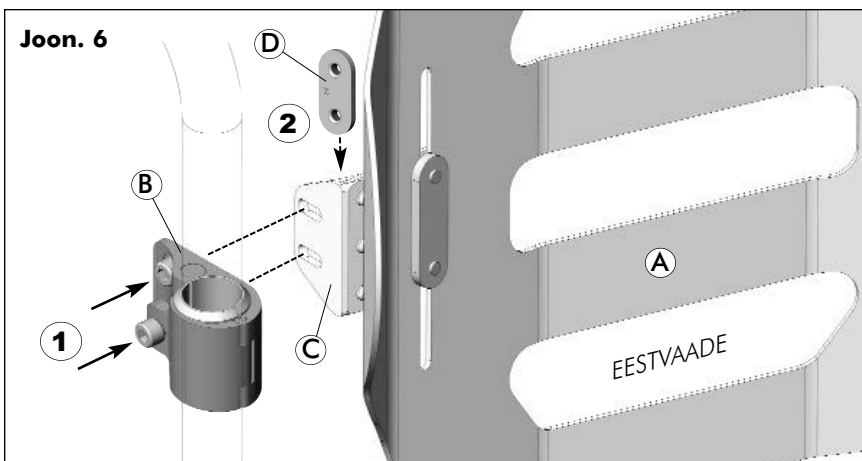
Märkus. Veenduge, et seljatoe toru klambrid paigaldatakse üksteisega paralleelselt.

3.6 MX2 seljatoe paigaldamine fikseeritud toruklambritele

- 1 Töötades seljatoe korpuse ühel küljel, paigaldage Matrix MX2 seljatugi (A) toruklambrite külge* (vt joon. 6).
 - Paigaldage toru klambrikooste kaks kinnituskruvi (B) MX2 fikseeritud kinnitusklambri vastavatesse avadesse (C) (1).
 - Kinnitage toru klambrikooste MX2 kinnitusklambriale, kasutades kaasasolevat keermeplaati (D) (2).Korrake samme (1) ja (2), et MX2 seljatoe korpus vastaskülje torule kinnitada.

***MÄRKUS.** Enne Matrix MX2 seljatoe paigaldamist toruklambritele tuleb fikseeritud kinnitusklambrid veidi lahti keerata, et lihtsustada seljatoe korpuse joondamist ja paigaldamist. Tutvuge jaotisega 3.7 (joon. 8), et saada täpsemat teavet laiuse/kõrguse reguleerimise juhiste kohta

MX2 seljatoe paigaldamine FIKSEERITUD paigaldusvahenditega



3.0 MX2 SELJATUGI – FIKSEERITUD KINNITUSE PAIGALDUS/REGULEERIMINE

3.7 MX2 fikseeritud kinnitusega seljatoe reguleerimine

i TÄHTIS! MX2 fikseeritud kinnitusklambrid on konstrueeritud paigaldamiseks seljatoe torudele, mis on **25 mm (1 toll) võrra laiemad või 25 mm (1 toll) võrra kitsamad** kui seljatoe nimilaius. Standardseadistuses tuleks MX2 seljatugi seljatoe torude vahele sümmeetriliselt (keskele) paigaldada.

i TÄHTIS! Seljatoe optimaalse sügavuse/kõrguse/kalde konfiguratsiooni määramiseks peaks kasutaja seadistamise ajal ratastoolis istuma.

1 Pärast MX2 seljatoe korpuse paigaldamist ratastoolile (toruklambritele) on MX2 seljatoe sügavust, kõrgust/kallet ja tahasuunas kallet võimalik muuta vastavalt ratastooli kasutaja soovidele.

i. **Sügavuse reguleerimine:** MX2 seljatoe sügavust (seljatoe torude suhtes) on võimalik muuta kahel eri viisil:

MX2 toru klambri suund: (vt ka **jaotis 3.4**)

MX2 seljatoe toru klambrite suund (kõige eesmisemas või tagumisemas paigalduses) muudab seljatoe korpuse paigutust (+/- **38 mm (1,5 tolli)** võrra) seljatoe torude suhtes (**1**). Vt **joon. 7a**.

MX2 fikseeritud kinnitusvahendite sügavuse reguleerimise eelne ja järgne maksimaalne ulatus = **76 mm (3 tolli) (+/- 38 mm (1,5 tolli))**.

MX2 kinnitusplaadid:

MX2 kinnitusplaatide piludega kanalid võimaldavad sügavuse reguleerimist kuni **13 mm (1/2 tolli)** ulatuses (**2**) maksimaalses reguleerimisvahemikus. Vt **joon. 7b**.

ii. **Laiuse/kõrguse reguleerimine:** seljatoe torude laiuste erinevuse kohandamiseks saab laiuse sätteid peenseadistada, kasutades MX2 kinnitusklambrite horisontaalseid pilusid (**1**). MX2 seljatoe kõrgus on (toruklambrite suhtes) reguleeritav, kasutades MX2 seljatoe korpuse vertikaalseid pilusid (**2**). Pilu pikkus (kõrguse reguleerimine) varieerub, lähtudes seljatoe korpuse suuruselt (kõrgusest). Vt **joon. 8a** ja **8b**.

iii. **Nurga reguleerimine:** seljatoe kalde reguleerimine $\pm 15^\circ$ võrra saavutatakse seljatoe korpuse pööramisega ettepoole (**1**) või tahapoole (**2**) MX2 kinnitusklambrite piludega kanalites. Vt **joon. 9**.

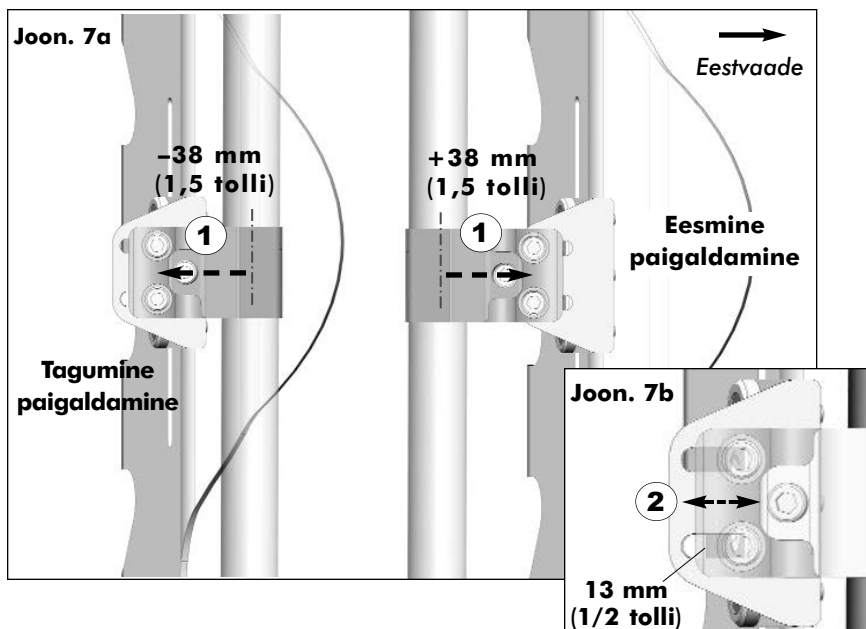
2 Veenduge, et ratastooli seljatugi oleks kliendi jaoks üldiselt mugav, sobiv ja joondatud. Vajadusel reguleerige põhjalikumalt.

3 Kinnitage/pingutage kõik paigaldus-/kinnitusvahendid kindlalt ja veenduge, et MX2 kinnitusklambrid/toruklambrid ei libiseks ega pöörleks.

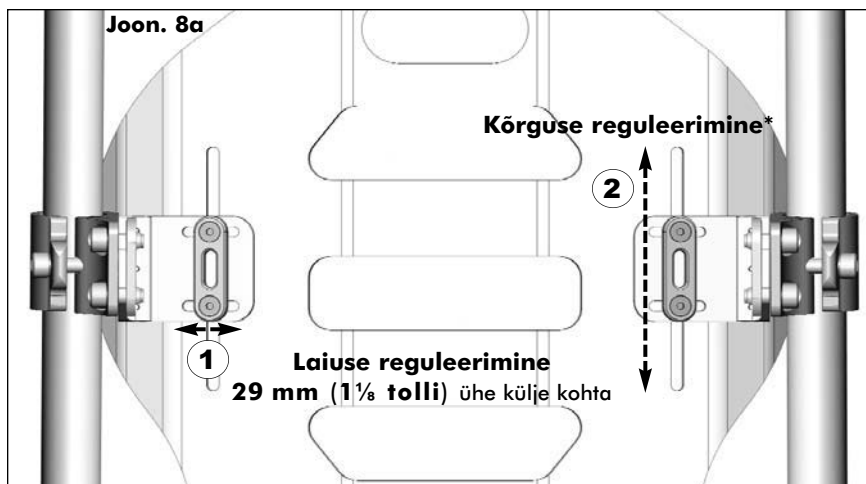
3.0 MX2 SELJATUGI – FIKSEERITUD KINNITUSE PAIGALDUS/REGULEERIMINE

i TÄHTIS! Kui ei ole teisiti nõutud, reguleeritakse kõik sügavus-, kõrgus- ja kaldesätted vasakul ja paremal kinnitusplaatil sümmeetriliselt.

MX2 fikseeritud kinnitus SÜGAVUSE reguleerimine



MX2 fikseeritud kinnitus LAIUSE/KÕRGUSE reguleerimine (kinnitusklambri suhtes)



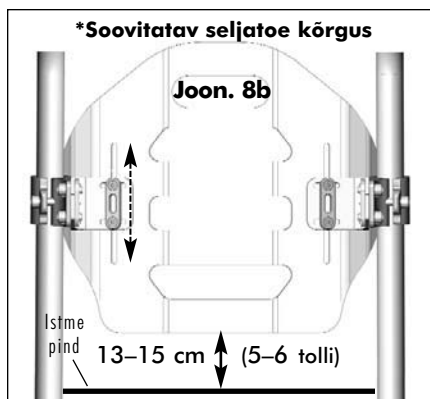
3.0 MX2 SELJATUGI – FIKSEERITUD KINNITUSE PAIGALDUS/REGULEERIMINE

***MÄRKUS.** MX2 seljatoe kõrguse muutmise ulatus varieerub, lähtudes MX2 seljatoe korpuse kõrgusest (pilu pikkusest) - vt tabel 1.0.

Tabel 1.0.
MX2 (pilu) kõrguse reguleerimine

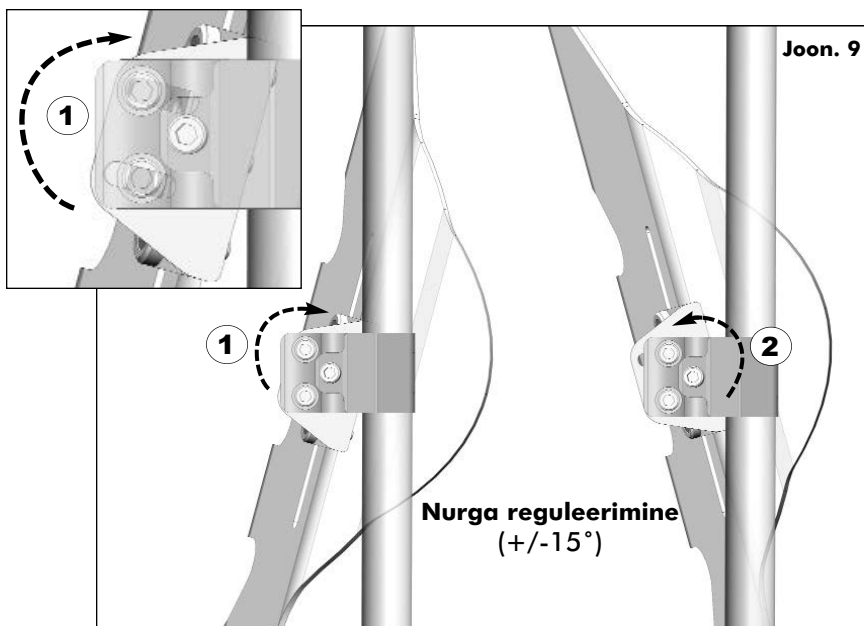
Seljatoe korpuse kõrgus	Reguleerimisvahemik
150 mm (6 tolli)	13 mm (1/2 tolli)
230 mm (9 tolli)	51 mm (2 tolli)
310 mm (12 tolli)	51 mm (2 tolli)
410 mm (16 tolli)	89 mm (3,5 tolli)

***Märkus.** MX2 seljatoe soovitatav kõrgus on esitatud ainult juhisena. Vajalik võib olla vähene muutmine - vt **Tähtis!** märkust allpool.



❗ TÄHTIS! Veenduge alati, et seljatoe alaosa paikneks anatoomiliselt allpool niudeluuharja tagaosa ülaserava. Kui teil tekib seljatoe õige kõrguse suhtes küsimusi või muresid, võtke õigete juhiste saamiseks ühendust oma edasimüüja ja/või tervishoiutöötajaga.

MX2 fikseeritud kinnitus SELJATOE nurga reguleerimine



4.0 MX2 SELJATUGI – EEMALDATAVA KINNITUSE PAIGALDUS

4.1 Eemaldatav (kiirvabastusega) kinnitusvahendite komplekt

i) Kiirvabastusega klambrikooste paigaldamine (paigaldatakse MX2 seljatoe korpusele):

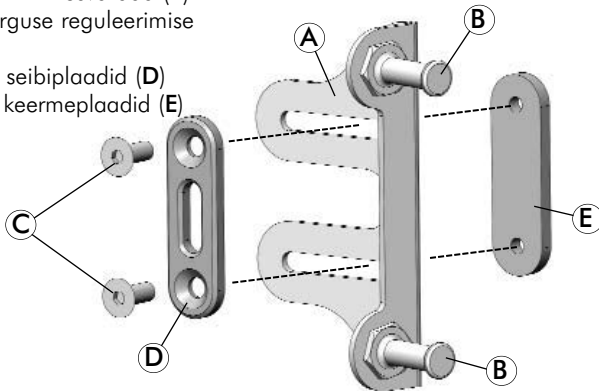
2 - MX2 kiirvabastusega paigaldusklambrid (A)

4 - kiirvabastusega kinnitusvardad (B)

4 - sügavuse ja kõrguse reguleerimise kruvid (C)

2 - kinnitusklambriseibiplaadid (D)

2 - kinnitusklambrisei keermeplaadid (E)



(Parem külg)

ii) Toruklambrisei kooste (paigaldatakse ratastooli seljatoe torude külge):

2 - minikinnitusplaadid (F)

4 - sügavuse/kalde reguleerimise kruvid (K)

2 - toru klamber (G)

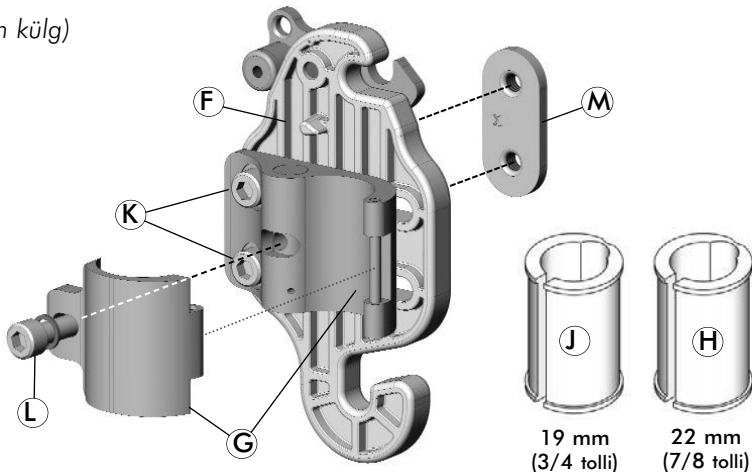
2 - toru klambri kruvid (L)

2 - toru vahetükid 22 mm (7/8 tolli) (H)

2 - toru klambri keermeplaadid (M)

2 - toru vahetükid 19 mm (3/4 tolli) (J)

(Parem külg)



4.0 MX2 SELJATUGI – EEMALDATAVA KINNITUSE PAIGALDUS

4.2 Vajalikud tööriistad

Kuuskantvõti (4 mm / 5 mm) (kaasas)

Möödulint/joonlaud

! TÄHELEPANU

Kui mõni paigaldusvahend on puudu või kadunud, võtke ühendust oma kohaliku Invacare/Motion Concepts esindajaga ja teile saadetakse vajalikud asenduosad.

4.3 MX2 kiirvabastusega kinnitusklambri paigaldamine

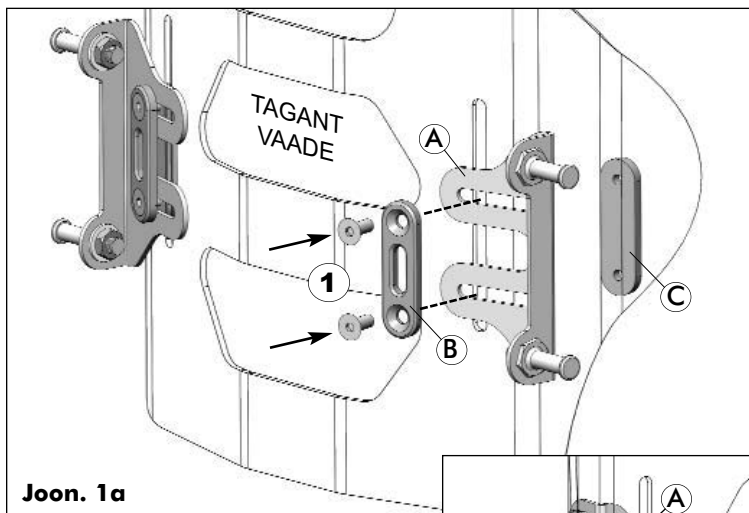
i MÄRKUS. Enne kiirvabastusega kinnitusklambrite paigaldamist

Eemaldage MX2 kate ettevaatlikult, tõmmates seljatoe korpuse ülemisel ja alumisel äärel ning sees olevad takjapaelad lahti.

- 1 Töötades seljatoe korpuse ühel küljel, paigaldage kiirvabastusega kinnitusklamber (A) Matrx MX2 seljatoe korpuse külge järgmisel viisil.
 - Joondage seibiplaat (A) piludega kinnitusklambri (B) ja sisestage kruvid mõlemasse komponenti (1); (vt joon. 1a (lk 18))
 - Paigaldage seljatoe korpuse tagaküljel kinnitusklambri kaks eenduvat kruvi MX2 seljatoe korpuse vertikaalsesse pilusse (2); (vt joon. 1b)
 - Kinnitusklambri kinnitamiseks MX2 seljatoe korpuse külge keerake kruvid keermeplaati (D), mis paikneb seljatoe korpuse eesküljel (sees) (3); (vt joon. 1b)
- 2 Paigaldage viimane kiirvabastusega kinnitusklamber (A) seljatoe korpuse vastasküljele (nagu tehti ülal 1. sammus).

4.0 MX2 SELJATUGI – EEMALDATAVA KINNITUSE PAIGALDUS

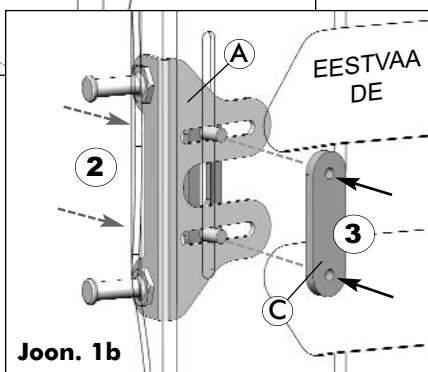
Kiirvabastusega kinnitusklambri paigaldamine



Joon. 1a

ABISTAV VIHJE

Kiirvabastusega kinnitusklambriid/vahendid võib MX2 seljatoe korpustele paigaldada lõdvalt, et hõlbustada kinnituse joondamist (laius/kõrgus) MX2 kinnitusplaatidele paigaldamise ajal.



Joon. 1b

4.4 Enne paigaldamist MX2 seljatoe toru klambri suund

ⓘ TÄHTIS! Enne MX2 seljatoe toru klambrikoostete paigaldamist tuleb klambrite suund kindlaks määrata.

⚠ HOIATUS! Raske vigastuse oht

Veenduge Invacare® MatrX® MX2 seljatoe paigaldusasendi lõplikul määramisel, et see ei mõjutaks ratastooli stabiilsust.

Seljatoe eesmise ja tagumise asendi reguleerimine muudab kasutaja raskuskeset ratastoolis. Tahapoole kallutatud seljatugi vähendab oluliselt ratastooli tagumise osa stabiilsust. Sarnaselt vähendab rohkem ettepoole kallutatud seljatugi oluliselt ratastooli eesmise osa stabiilsust.

4.0 MX2 SELJATUGI – EEMALDATAVA KINNITUSE PAIGALDUS

Standardkonfiguratsiooni korral pannakse MX2 toruklambrid (A) kokku ja kinnitusplaadid (B) paigaldatakse ning kinnitatakse seljatoe torude külge täielikult tahapoole suunatuna. Selline konfiguratsioon suurendab ratastooli istme sügavust - vt **joon. 2**.

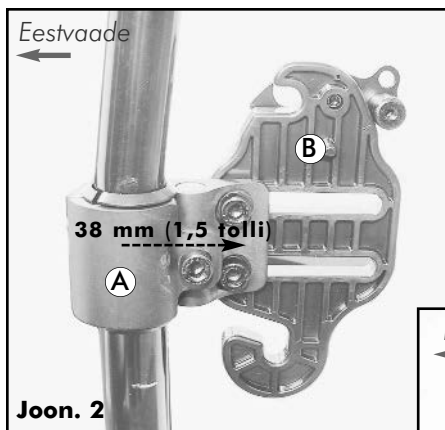
Ümberpööratud konfiguratsiooni korral* on toruklambrid (A) seljatoe torudel 180° võrra pööratud. Selline konfiguratsioon vähendab ratastooli istme sügavust ja viib MX2 seljatoe vajadusel rohkem eesmisse asendisse - vt **joon. 3**.

Toruklambrid (A) võimaldavad 38 mm (1,5 tolli) võrra eel- või järelreguleerimist (vastaval seljatoe torule), lähtudes valitud paigalduskonfiguratsioonist.

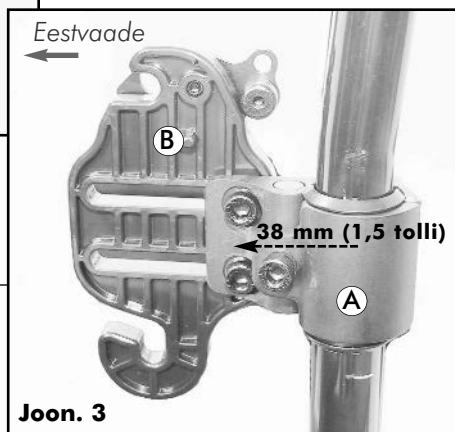
Märkus. Tutvuge **jaotisega 4.8**, et saada täpsemat teavet MX2 eemaldatava kinnituse sügavuse reguleerimise juhiste kohta.

***Kinnitusplaadi / seljatoe toru klambri ümber pööramiseks ettepoolesemasse asendisse toimige järgmiselt.**

- 1 Eemaldage kinnitusklamber (A) kinnitusplaadilt (B) (2 kruvi).
- 2 Pöörake seljatoe toru klambrit (A) 180° võrra, seejärel kinnitage kinnitusplaat (B) uuesti samas suunas (nagu on näidatud **joon. 3**)



Standardne toru klambrikonfiguratsioon
(istme maksimaalne sügavus)



Ümberpööratud toru klambrikonfiguratsioon
(istme minimaalne sügavus)

4.0 MX2 SELJATUGI – EEMALDATAVA KINNITUSE PAIGALDUS

4.5 MX2 seljatõe toru klambri / kinnitusplaadi paigaldamine

MX2 toruklambrid on konstrueeritud nii, et neid on võimalik paigaldada seljatõe torudele läbimõõduga 25 mm (1 toll), 22 mm (7/8 tolli) ja 19 mm (3/4 tolli). (Plastist sisetükid (A) on kaasas selleks, et oleks võimalik paigaldada ka väiksema läbimõõduga seljatõe torusid*).

- 1 Vajadusel eemaldage ratastooli seljatugi.
- 2 Paigaldage toru klambrikooste lõdvalt (B) igale seljatõe torule soovitud suunas - paigaldusega tutvumiseks vt **joon. 4** ja **joon. 5**.

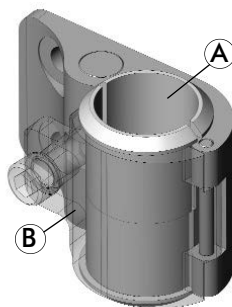
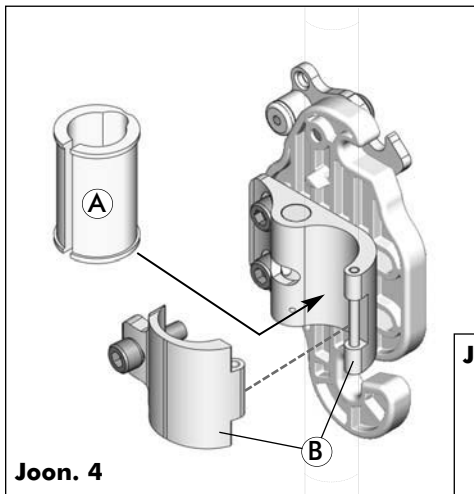
*Eri suurusega seljatõe torude paigaldamine

25 mm (1 toll) torud - plastist sisetükke ei ole vaja

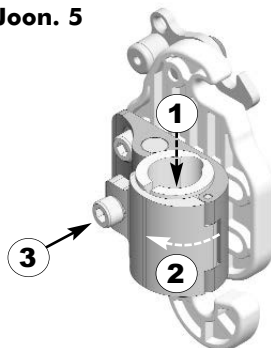
22 mm (7/8 tolli) torud - paigaldage 22 mm (7/8 tolli) plastist sisetükid (2 tk)

19 mm (3/4 tolli) torud - paigaldage 19 mm (3/4 tolli) plastist sisetükid (2 tk)

MX2 seljatõe toru klambri paigaldamine



Joon. 5



ABISTAV VIHJE

Pihustage seljatõe torudele ja plastist sisetükkide sisse väike kogus juukselakki, et tekitada kindel mittelibisev ühendus.

4.0 MX2 SELJATUGI – EEMALDATAVA KINNITUSE PAIGALDUS

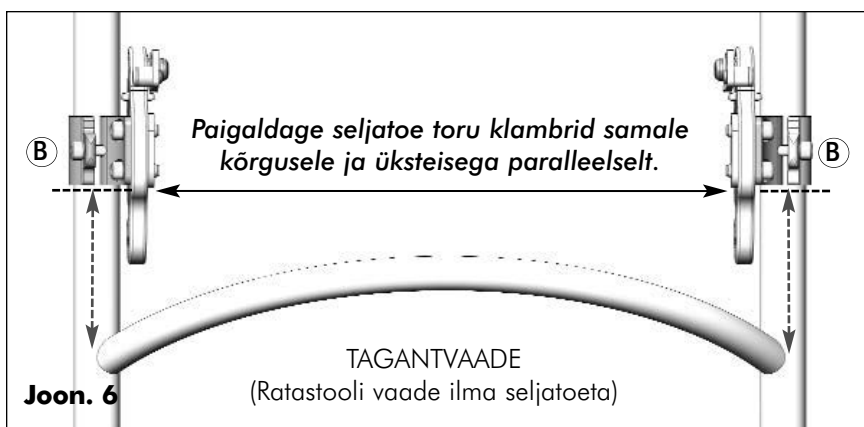
- 3 Alustades ühelt küljelt, libistage/reguleerige seljatoe toru klambrikooste (B) seljatoe torul soovitud kõrgusele/asendisse ja keerake kindlalt kinni.

Märkus. Pärast MX2 seljatoe korpuse paigaldamist kinnitusplaatidele saab seljatoe lõppkõrgust täiendavalt reguleerida/peenseadistada.

- 4 Mõõtke ratastooli fikseeritud punktist (nt istme raamist/stabilisaatorist) esimese toruklambrikooste kõrgus ja kinnitage teine toruklamber vastaspoolele seljatoe torule täpselt samale kõrgusele - vt **joon. 6** allpool.

Märkus. Veenduge, et seljatoe toru klambrid / kinnitusplaadid on paigaldatud üksteisega paralleelselt.

MX2 seljatoe klambri / kinnitusplaadi kõrguse reguleerimine



4.6 MX2 seljatoe paigaldamine kiirvabastusega kinnitusvahendite külge

⚠ HOIATUS! Tihvtide vale paigaldamine võib seljatoe korpust ja/või kinnitusplaate kahjustada. Veenduge, et kinnitusplaatide ja -tihvtide peade vahel oleks piisavalt ruumi (**soovitatav on minimaalselt 3 mm (1/8 tolli)**).

⚠ HOIATUS! ÄRGE mitte kunagi kasutage Loctite-liimi kinnitusvahenditel. Mitte-metalsed komponendid võivad laguneda ja muutuda saastumisel rabedaks (puruneda).

📌 TÄHTIS! Kui ei ole teisiti nõutud, **veenduge** alati, et kõik reguleerimised tehakse **vasakul ja paremal** kinnitusplaadil sümmeetriliselt.

4.0 MX2 SELJATUGI – EEMALDATAVA KINNITUSE PAIGALDUS

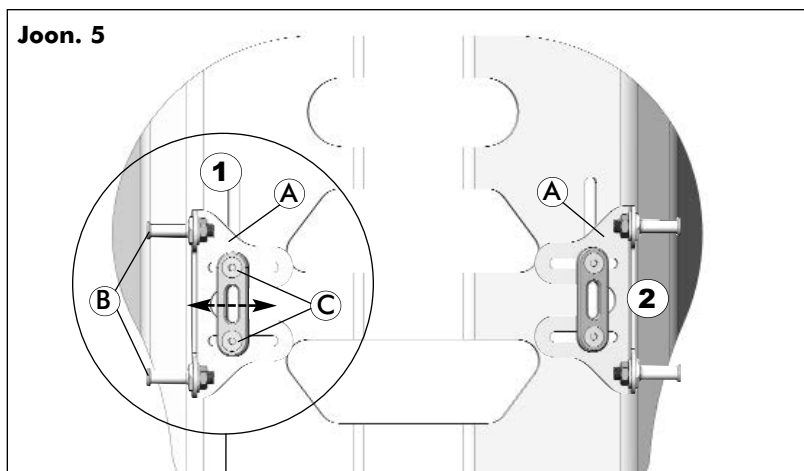
! TÄHTIS! Pange tähele, et kiirvabastusega kinnitusklambrid (A) reguleerivad MX2 seljatoe **laiust** ja **kõrgust** samaaegselt. Enne paigaldamise alustamist lugege **kõiki juhiseid**. Paigaldamise ajal on soovitatav reguleerida korraga ainult ühte kinnitusklambrist.

! TÄHELEPANU

Kõik kiirvabastusega kinnitusklambrid (A) tarnitakse eelpaigaldatud paigaldustihvtidega (B) ja on konstrueeritud laiuse reguleerimise piludega, mis võimaldavad MX2 seljatoe paigaldamist seljatoe torudele, mis on kuni **25 mm (1 toll) võrra laiemad või 25 mm (1 toll) võrra kitsamad** kui seljatoe nimilaius.

- 1 Enne Invacare® Matrx® MX2 seljatoe paigaldamist (Vt joon. 5)
 - i. Töötades ainult ühel küljel, lödvendage kinnitusklambrist seibiplaati ja kinnitusvahendeid veidi (C), et kiirvabastusega kinnitusplaati (A) ja paigaldustihvti (B) oleks võimalik seljatoe toru kinnitusplaatidega joondamiseks sisse- ja väljapoole reguleerida (1) (vastavalt vajadusele) - vt **2. samm. (Joon. 6a/6b)**
 - ii. Jätke viimane (vastaskülje) kiirvabastusega kinnitusklambrist kooste MX2 seljatoe korpuse külge (2).

Kiirvabastusega kinnitusklambrist paigaldamine (enne paigaldamist)



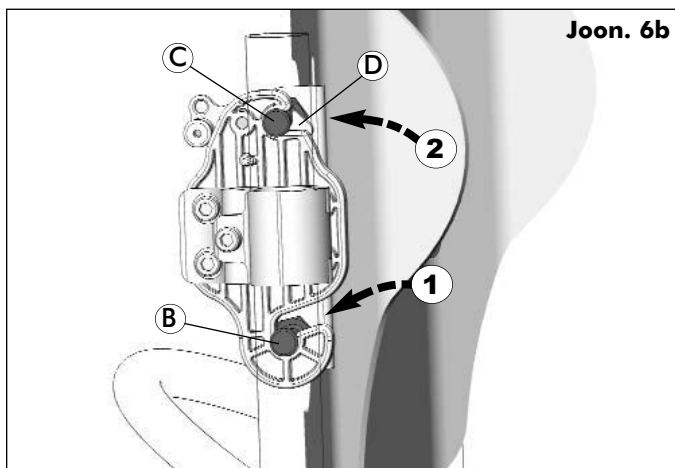
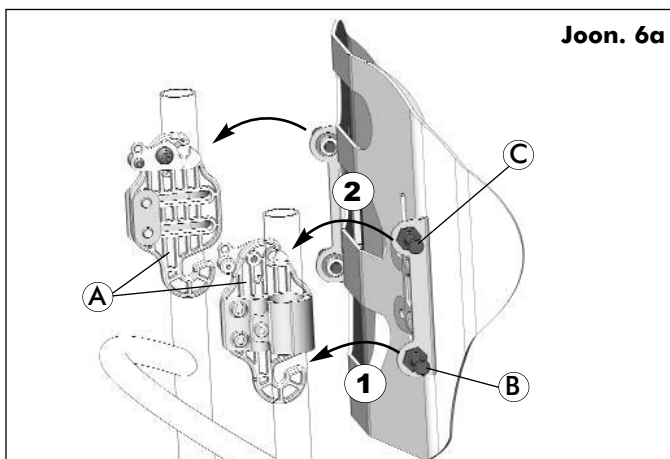
Kinnitusse lödvendamine
Kinnitussekoost
(ainult üks külge)

4.0 MX2 SELJATUGI – EEMALDATAVA KINNITUSE PAIGALDUS

- 2 Paigaldage MX2 seljatugi kinnitusplaatidele (A) järgmisel viisil. (Vt joon. 6a ja 6b)
- i. Joondage ja sisestage alumised kinnitustihvtid (B) iga kinnitusplaadi alumises osas olevatesse konksuavadesse (1).
 - ii. Kui alumised tihvtid on paigal, lukustage/klõpsake ülemised kinnitustihvtid (C) iga kinnitusplaadi ülemises osas olevasse riivi (D) (2).

⚠ HOIATUS! MX2 seljatoe paigaldamisel veenduge alati, et mõlemad riivid (D) ümbritsevad ülemisi kinnitustihvte täielikult.

MX2 seljatoe paigaldamine kinnitusplaatide külge



4.0 MX2 SELJATUGI – EEMALDATAVA KINNITUSE PAIGALDUS

4.7 MX2 seljatoe laiuse ja kõrguse reguleerimine

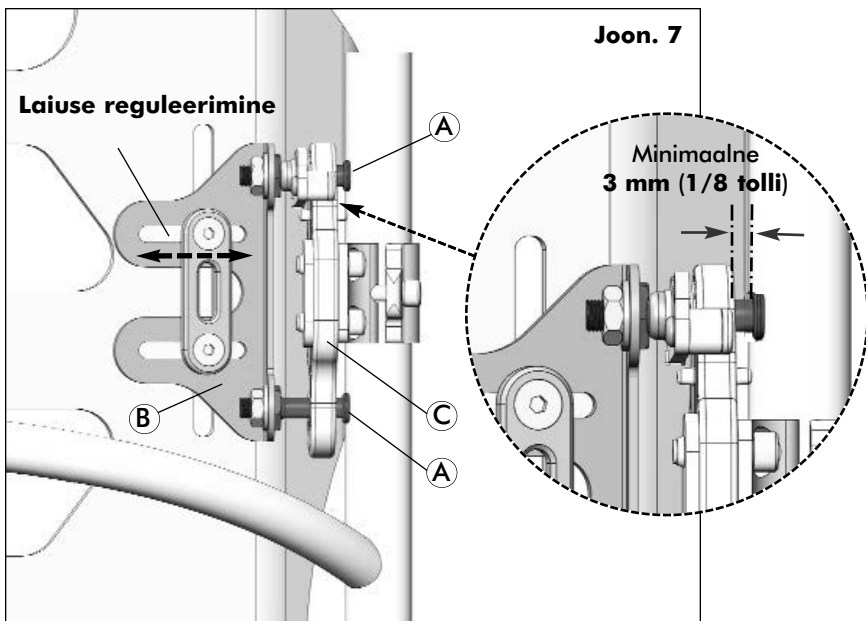
i TÄHTIS! Pange tähele, et kiirvabastusega kinnitusklambrid reguleerivad MX2 seljatoe laiust ja kõrgust samaaegselt. Paigaldamise ajal soovitame reguleerida korraga ühte klambrit ja kinnitada iga klamber piisavalt hästi, et vältida igale reguleerimisele järgnevat libisemist. Paigaldamise vahendid saab paigaldamise/seadistamise lõpetamisel täielikult pinguldada.

1 **Kinnitustihvti laiuse reguleerimine** Kui MX2 seljatugi on kinnitusplaatidesse riivistatud, reguleerige iga kinnitusplaadi (B) kinnitustihvti (A) nii, et kinnitustihvtide peade ja kinnitusplaadi välispinna (C) vahele jääks vähemalt 3 mm (1/8 tolli) pilu*. (Vt joon. 7).

*MÄRKUS. MX2 seljatoe standardsel paigaldamisel peab seljatoe korpus pärast laiuse reguleerimist jääma seljatoe torude vahele täpselt keskele. (Kinnitusklambrid peab seljatoe korpusel sümmeetriliselt reguleerima)

2 Pinguldage mõlemat kinnitusklambrite koostet täpselt nii palju, et vältida nende libisemist.

MX2 paigaldamine Kinnitustihvti laiuse seadistamine/reguleerimine

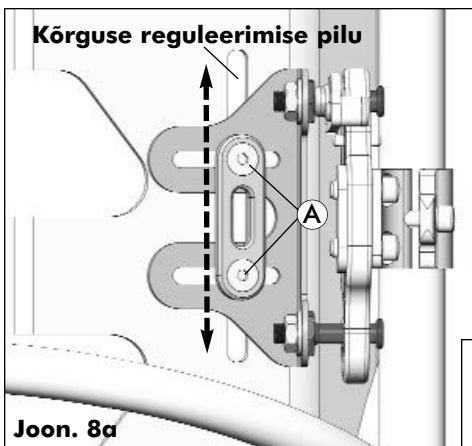


4.0 MX2 SELJATUGI – EEMALDATAVA KINNITUSE PAIGALDUS

- MX2 kõrguse reguleerimine** Vajadusel saab MX2 seljatoe kõrgust reguleerida MX2 seljatoe korpusel paikneva piluga kanali kaudu (vt **joon. 8a**). Seljatoe soovitatav kõrgus* on ligikaudu **13–15 cm (5–6 tolli)** istmepinnast **kõrgemal** (istmepadjast või istmeplaadist; vt **joon. 8b**).
- Töötades korraka ainult ühel küljel, lõdvendage kinnitusklabreid (**A**) ja libistage MX2 seljatoe korpust üles/alla, kuni saavutate seljatoe soovitud kõrguse. **MÄRKUS.** MX2 seljatoe kõrguse muutmise ulatus varieerub, lähtudes MX2 seljatoe korpuse kõrgusest (pilu pikkusest) - vt **tabel 1.0**.
- Pinguldage kinnitusklabri plaati/-vahendit (**A**), kinnitamaks MX2 seljatoe oma kohale ning tagamaks kinnitustihvti õige laiuse/asendi püsimise (vt **joon. 7**). Korrake samasugust seljatoe kõrguse reguleerimist vastaskülje kinnitusklabritel.
- Kui kõik laiuse ja kõrguse reguleerimised on tehtud, kinnitage **kõik** vahendid täielikult.

Märkus. MX2 seljatoe soovitatav kõrgus on esitatud ainult juhisena. Vajalik võib olla vähene muutmine - vt **Tähtis! märkust allpool.*

MX2 paigaldamine Seljatoe kõrguse reguleerimine

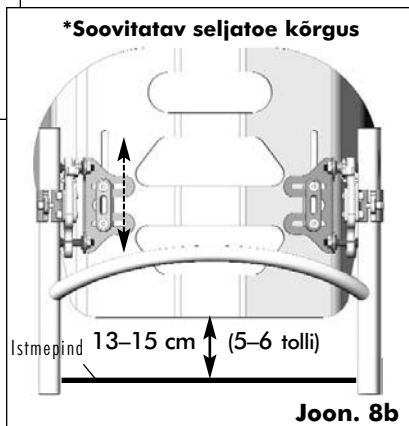


i TÄHTIS!

Veenduge alati, et seljatoe alaosa paikneks anatoomiliselt allpool niudeluuharja tagaosa ülaserava. Kui teil tekib seljatoe õige kõrguse suhtes küsimusi või muresid, võtke õigete juhiste saamiseks ühendust omaeasimüüja ja/või tervishoiutöötajaga.

Tabel 1.0.
MX2 (pilu) kõrguse reguleerimine

Seljatoe korpuse kõrgus	Reguleerimisvahemik
150 mm (6 tolli)	13 mm (1/2 tolli)
230 mm (9 tolli)	51 mm (2 tolli)
310 mm (12 tolli)	51 mm (2 tolli)
410 mm (16 tolli)	89 mm (3,5 tolli)



4.0 MX2 SELJATUGI – EEMALDATAVA KINNITUSE PAIGALDUS

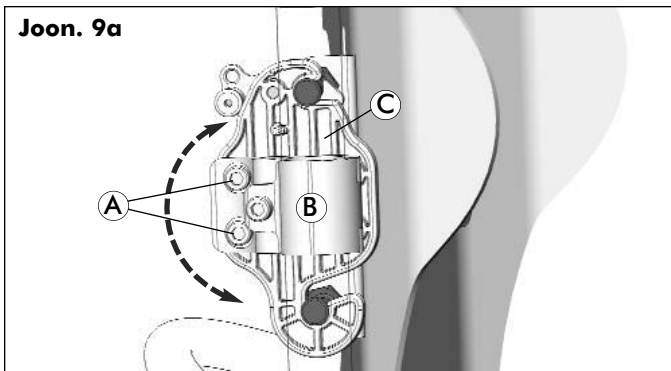
4.8 MX2 seljatoe nurga ja sügavuse reguleerimine

i TÄHTIS! Pange tähele, et kiirvabastusega kinnitusklambrid reguleerivad MX2 seljatoe **nurka ja sügavust** samuti samaaegselt. Need kaks reguleerimist toimuvad lihtsamini, kui esmalt lödvendate mõlema klambrikooste reguleerimisvahendeid. (**Märkus.** Standardse paigaldamise korral reguleeritakse sügavust ja nurka mõlemal kinnitusplaadil sümmeetriliselt).

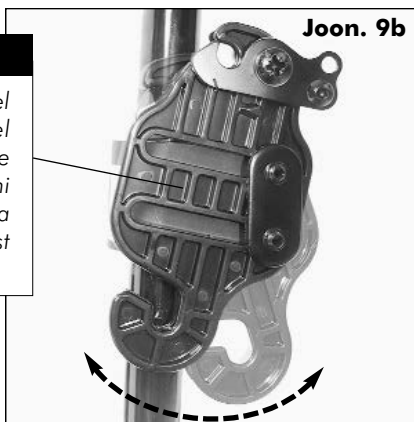
- 1 **MX2 nurga reguleerimine** Vajadusel saab MX2 seljatoe nurka reguleerida mõlema kinnitusklambri kooste (B) kahe sügavus-/nurgareguleerimise kruvi (A) abil (vt **joon. 9a**).
- 2 Vabastage sügavus-/nurgareguleerimise kruvid (x2) mõlemal klambrikoostel ja pöörake kinnitusplaati (C) ettepoole või tahapoole, saavutamaks soovitud nurka (nurga reguleerimisvahemik = $\pm 15^\circ$, vt **joon. 9b**)

MX2 paigaldamine Seljatoe nurga reguleerimine

Joon. 9a



Joon. 9b



! TÄHELEPANU

Vormitud püstjooned kinnitusplaatidel on konstrueeritud sümmeetrilisel reguleerimisel aitamiseks. MX2 seljatoe nurga reguleerimisel saab püstjooni kasutada selleks, et hõlbustada samasuguse nurga reguleerimist mõlemal kinnitusplaadil.

Nurga reguleerimine ($\pm 15^\circ$)

4.0 MX2 SELJATUGI – EEMALDATAVA KINNITUSE PAIGALDUS

- 3 **MX2 sügavuse reguleerimine:** MX2 seljatoe üldist sügavust on võimalik muuta kahel eri viisil.

MX2 toru klambri suund: (vt ka jaotis 4.4)

MX2 seljatoe toru klambreid (B) võib paigaldada standardses suunas (tahasuunas) või ümberpööratud suunas (ettesuunas), et saavutada lühemad istme pikkused (vt joon. 10).

Kõige tahapoole suunatumas paigalduses (1) seljatoe sügavus = 44 mm (-1,75 tolli).

Kõige ettepoole suunatumas paigalduses (2) seljatoe sügavus = 57 mm (+2,25 tolli).

(Märkus. Mõõdud on antud seljatoe torude suhtes ja mõõdetud kinnitustihvti asendini).

Sügavuse reguleerimise eelne ja järgne maksimaalne ulatus (kõige tagumisest asendist kõige eesmise asendisse) = 108 mm (4,25 tolli)

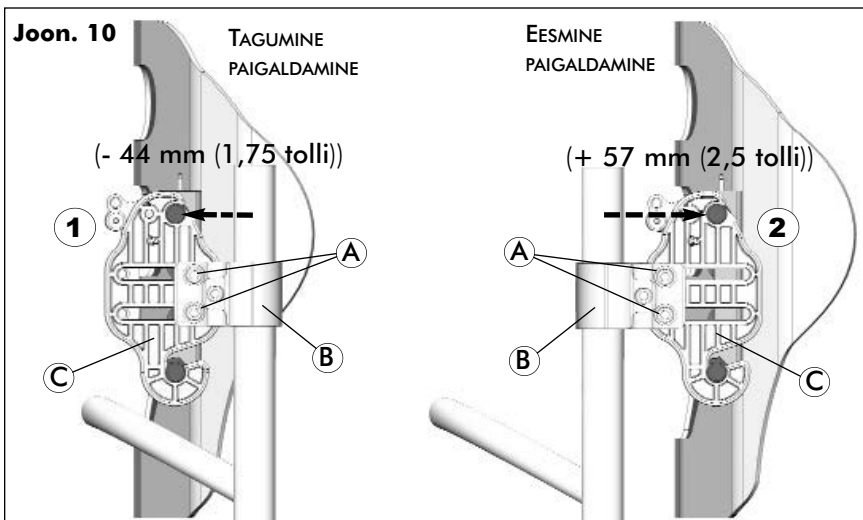
MX2 kinnitusplaadi sügavuse reguleerimine*:

MX2 kinnitusplaatide piludega kanalid (C) võimaldavad sügavuse reguleerimist kuni 44 mm (1,75 tolli) ulatuses maksimaalses reguleerimisvahemikus (vt joon. 11 (lk 28)).

*MÄRKUS. Kinnitusplaadi sügavuse reguleerimisulatus on piiratum, kui muudetakse ka MX2 seljatoe nurka.

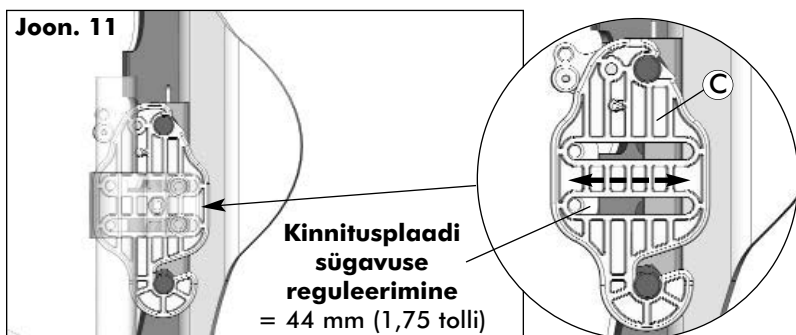
- 4 Reguleerimiseks vabastage kaks reguleerimiskruvi (A) mõlemal seljatoe toru klambrikoostel ja libistage kinnitusplaati (C) reguleerimispiiludes ettepoole või tahapoole, saavutamaks soovitud nurka.
- 5 Kui kõik nurga sügavuse reguleerimised on tehtud, kinnitage kõik vahendid täielikult.

MX2 paigaldamine Seljatoe sügavuse reguleerimine



4.0 MX2 SELJATUGI – EEMALDATAVA KINNITUSE PAIGALDUS

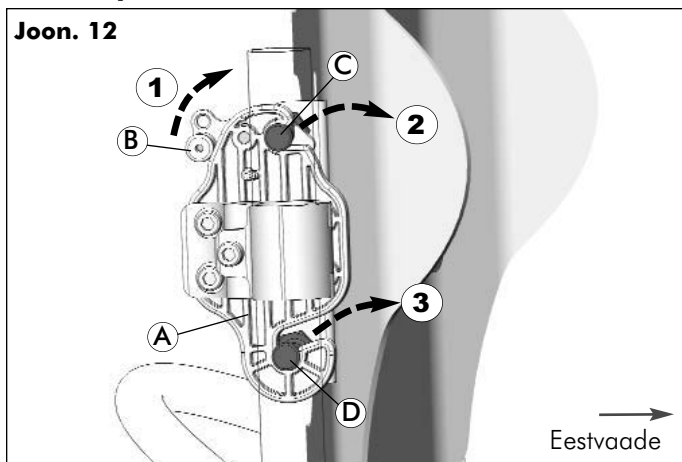
MX2 paigaldamine Seljatoe sügavuse reguleerimine



4.9 MX2 seljatoe eemaldamine kiirvabastusega vahendite küljest

- 1 Eemaldage/vabastage MX2 seljatugi kinnitusplaatide (A) küljest järgmisel viisil (vt [joon.12](#) allpool).
 - i. Seistes ratastooli taga, tõstke riivi vabastamise mehhanism (B) mõlemal kinnitusplaatil samaaegselt üles (1).
 - ii. Kui alumised riivid on lahti, lükake MX2 seljatoe ülaosa ettepoole (2), et vabastada ülemised kinnitustihvtid (C) kinnitusplaatide (A) küljest.
 - iii. Kui ülemised kinnitustihvtid on vabastatud, tõstke MX2 seljatuge üles- ja ettepoole (3), et vabastada alumised kinnitustihvtid (D) kinnitusplaatide küljest.

MX2 seljatoe eemaldamine/vabastamine



5.0 HOOLDAMINE

5.1 Hooldamine ja pesemine

i TÄHTIS! Kõik kasutatavad puhastus- ja desinfitseerimisvahendid peavad olema tõhusad, omavahel sobima ja kaitsma materjale, mille puhastamiseks neid kasutatakse.

! ETTEVAATUST! Toote kahjustusohu

ÄRGE kasutage valgendit, fenooli ega alkoholi sisaldavaid puhastusvahendeid.

Üldine hooldus ja puhastamine

Katet võib vajadusel niiske lapiga pühkida.

Pesemisjuhised (väliskate)

1. Eemaldage kate ettevaatlikult, tõmmates seljatoe korpuse ülemisel ja alumisel äärel ning sees olevad takjapaelad lahti.

MÄRKUS. Enne pesemist tuleb kattelt sisemine vahtpadi eemaldada.

2. Peske pesumasinas temperatuuril 60 °C, kasutades delikaatsete materjalide tsükli (vt juhiseid etiketilt).

i TÄHTIS! Kõrgetel temperatuuridel pesemine võib põhjustada kokkutõmbumist.

3. Riputage puhtasse ruumi kuivama.

või

Kuivatage trummelkuivatis madalal temperatuuril.

i TÄHTIS!

- Kuivati temperatuur ei tohi ületada 40 °C
- Ärge kuivatage kuivatis kauem kui 10 minutit
- Kuivatage hoolikalt enne vahtpadjale paigaldamist
- Ärge triikige
- Ärge kasutage keemilist puhastust

5.2 Hooldamine ja ülevaatus

Kord kuus Vaadake üle kõik osad, sealhulgas seadmestik, klambrid, polstri materjalid, vahud ja plastist osad, et need ei oleks moonduvad, roostetanud, katki, kulunud ega kokku pressitud.

! HOIATUS! Vigastus- või kahjustusohu

Kontrollige KÕIKI kinnitusi iga nädal, kindlustamaks, et mehhaanilised ühendused ja muud kinnitid on korralikult kinni.

ÄRGE kasutage toodet edasi, kui avastate probleemi. Toote hooldamiseks pöörduge edasimüüja poole.

6.0 MX2 VALIKUD

6.1 (Valikulise) nimmetoe paigaldamine/reguleerimine

! TÄHELEPANU

Nimmetugi on kasutamiskvalmis vahust sisetükk, mis toetab olemise veelgi mugavamaks tegemiseks selja alaosa. Nimmetoe asendit saab Invacare® Matrx® MX2 kätte sees muuta (vt juhiseid allpool) või soovi korral saate selle ära võtta, kui te nimmetuge ei soovi.

1. Nimmetoe reguleerimiseks tõmmake lahti seljatoe tugiplaadi all taga olevad ümbriskatte A takjapaelad.
2. Vahust nimmetugi B on Invacare® Matrx® MX2 kätte sees selja vahtpadja C ja seljatoe korpuse D vahel.
3. Nimmetoe saab paigutada soovitud kõrgusele ja asendisse.
4. Võtke lahti seljapadja kate (takjapaelad).

Nimmetugi



***MÄRKUS.** Vahust nimmepatja saab vajaduse korral lõigata/vormida, et see vastaks kasutaja vajadustele.



Reguleerige nimmetoe asendit vajadusel või eemaldage täielikult

6.0 MX2 VALIKUD

6.2 (Valikulise) kaitseriide paigaldamine (müüakse eraldi)

Kaitseriided on saadaval (eraldi müügil) kõigi standardsuuruses MX2 seljatugede jaoks. Kõigile standardsuuruses seljatugedele on padja katte B alla taha õmmeldud takjapaela riba, mille külge saab kaitseriide kinnitada.

MX2 seljatoele õige suurusega kaitseriide leidmiseks vaadake allolevat tabelit.

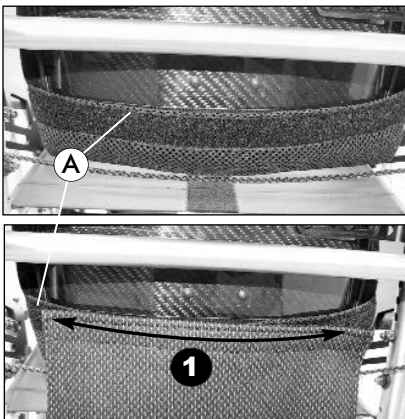
LAIUS	KAITSERIIDE
36 cm (14 tolli)	PFLAP-XS 26 cm x 41 cm (10 tolli x 16 tolli)
38 cm (15 tolli)	PFLAP-S
41 cm (16 tolli)	33 cm x 41 cm (13 tolli x 16 tolli)
43 cm (17 tolli)	PFLAP-M
46 cm (18 tolli)	38 cm x 41 cm (15 tolli x 16 tolli)



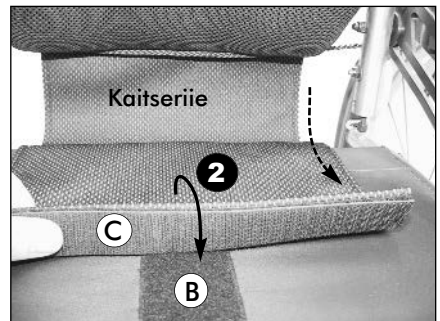
Paigaldusjuhised

1. Eemaldage ratastooli istmepadi (kui on paigaldatud).
2. Veenduge, et seljatugi oleks soovitud kõrgusel. (Vt **jaotist 4.0, joonist 8.**)
3. Seistes ratastooli taga (ja vaadates ettepoole), joondage/kinnitage kaitseriide takjariba MX2 seljatoe katte (A) tagumisele osale õmmeldud takjaribaga. (Vt **1.** sammu allpool).
4. Tõmmake kaitseriide (kinnitamata) teine ots seljatoe korpuse alaosa ja ratastooli istme vahelisest praost läbi.
5. Kinnitage kaitseriide teises otsas olev takjariba* (B) ratastooli istmel oleva kinnitusriba või istmeplaadi külge. (Vt **2.** sammu allpool).

***MÄRKUS.** Kui ratastooli istmele on paigaldatud takjariba, kinnitage kaitseriide kaasasoleva kahepoolse takjariba adapteri abil (C).



TAGANT VAADE



EEST VAADE

matrix[®]
SEATING SERIES



„Matrix“ MX2 atlošas

FIKSUOTOS ATRAMOS įrangai ir
NUIMAMOS ATRAMOS įrangai

MONTAVIMAS / PARENGIMAS

i SVARBU! Šiame vadove pateiktus įrengimo nurodymus turi vykdyti kvalifikuotas specialistas.

PLATINTOJUI: šį vadovą BŪTINA duoti gaminio naudotojui.

NAUDOTOJUI: prieš naudodami šį gaminį, perskaitykite šį vadovą ir jį pasilikite – jo gali prireikti ateityje.



TRD0439 B laida

GARANTIJA

TURĖKITE OMENYJE: ŠI GARANTIJA PARENGTA TAIP, KAD ATITIKTŲ FEDERALINIUS ĮSTATYMUS, GALIOJANČIUS PRODUKTAMS, PAGAMINTIEMS PO 1975 M. LIEPOS 4 DIENOS.

Ši garantija galioja tik pradiniam mūsų produktų pirkėjui / naudotojui. Ši garantija suteikia jums konkrečią juridinių teisių, taip pat galite turėti kitų juridinių teisių, kurios skirtingose valstybėse gali skirtis. „Invacare“ / „Motion Concepts“ garantuoja, kad šis produktas neturės gamybos ir medžiagų defektų dvejus metus nuo datos, kai jį nupirko pirmasis pirkėjas. Ši garantija netaikoma pradūrimams, plyšimams, nudegimams bei nuimamam pagalvėlės užvalkalui. Jei per šį garantinį laikotarpį bus nustatyta, kad produktas turi defektų, toks produktas „Invacare“ / „Motion Concepts“ nuožiūra bus suremontuotas arba pakeistas naujomis ar atnaujintomis detalėmis. Ši garantija neapima darbo ar transportavimo mokesčių, susijusių su pakeistų dalių sumontavimu ar tokio produkto remontu. Produkto remontas šios garantijos laikotarpio nepratęsia: suremontuoto produkto garantija galios likus šios ribotos garantijos galiojimo laikotarpiui. „Invacare“ / „Motion Concepts“ vienintelis įsipareigojimas ir jūsų atlyginimo priemonė pagal šią garantiją yra toks remontas arba pakeitimas. Dėl garantinio aptarnavimo kreipkitės į pardavėją, iš kurio įsigijote savo „Invacare“ / „Motion Concepts“ produktą. Jei suteiktos garantinės paslaugos jūsų netenkina, parašykite tiesiai „Invacare“ / „Motion Concepts“ ant galinio viršelio nurodytu adresu. Nurodykite pardavėjo pavadinimą, adresą, modelio numerį, pirkimo dieną, defekto pobūdį ir, jei produktui yra suteiktas serijos numeris, jo serijos numerį. „Invacare“ / „Motion Concepts“ suteiks grąžinimo leidimą. Defektų turintį įrenginį ar dalį reikia grąžinti garantinei apsaugai identifikuojant pagal serijos numerį, jei jis yra, per trisdešimt (30) dienų nuo grąžinimo leidimo dienos.

NEGRĄŽINKITE produktų į mūsų gamyklą negavę mūsų išankstinio sutikimo. Apmokamos atsiimant siuntos nebus priimamos; prašome iš anksto apmokėti siuntimo mokesčius.

APRIBOJIMAI IR IŠIMTYS: GARANTIJA NEGALIOS PROBLEMOMS, KYLANČIOMS IŠ NORMALAUS NUSIDĖJIMO ARBA DĖL TO, KAD NEBUVO LAIKOMASI PATEIKTŲ INSTRUKCIJŲ. BE TO, ŠI GARANTIJA NEGALIOS PRODUKTAMS SU SERIJOS NUMERIU, JEI SERIJOS NUMERIS BUVO PAŠALINTAS ARBA PASLĖPTAS; PRODUKTAMS, KURIE BUVO NAUDOJAMI NETINKAMAI, SUGADINTI DĖL APLAUDIMO AR NELAIMINGO ATSITIKIMO, NETINKAMOS PRIEŽIŪROS AR SAUGOJIMO; PRODUKTAMS, MODIFIKUOTIEMS BE „INVACARE“ / „MOTION CONCEPTS“ IŠANKSTINIO RAŠY TINIO SUTIKIMO, ĮSKAITANT, BET NEAPSIRIBOJANT: MODIFIKAVIMU NAUDOJANT NEPATVIRTINTAS DETALES AR PRIEDUS; PRODUKTAIS, SUGADINTAIS DĖL REMONTO, KURIS BUVO ATLIEKAMAS SU KOMPONENTAIS NEGAVUS KONKRETAUS „INVACARE“ / „MOTION CONCEPTS“ SUTIKIMO, PRODUKTAIS, KURIE BUVO SUGADINTI DĖL APLINKYBIŲ, KURIŲ „INVACARE“ / „MOTION CONCEPTS“ KONTROLIUOTI NEGALI; PRODUKTAIS, KURIUOS REMONTAVO NE „INVACARE“ / „MOTION CONCEPTS“ PARDAVĖJAS; TOKĮ ĮVERTINIMĄ „INVACARE“ / „MOTION CONCEPTS“ ATLIKS IŠSKIRTINAI SAVO NUOŽIŪRA.

ŠI GARANTIJA YRA IŠIMTINĖ IR PAKEIČIA VISAS KITAS IŠREIKŠTAS GARANTIJAS, JEI JŲ BUVO BUVĘ, ĮSKAITANT NUMANOMĄ GARANTIJĄ DĖL PARDAVIMO AR TIKIMO KONKREČIAM TIKSLUI. JI NEGALIOS ILGIAU NEGU ČIA NURODYTA IŠSKIRTINĖS GARANTIJOS TRUKMĖ, IR ATLYGINIMAS UŽ GARANTINIUS PAŽEIDIMUS APSIRIBOS SUGADINTO PRODUKTO REMONTU ARBA PAKEITIMU PAGAL ČIA PATEIKTAS SĄLYGAS. „INVACARE“ / „MOTION CONCEPTS“ NEATSAKYS UŽ JOKIUS PASEKMINIUS IR ATSITIKTINIUS NUOSTOLIUS. ŠI GARANTIJA BUS IŠPLĖSTA TIEK, KAD ATITIKTŲ VALSTYBĖS / PROVINCIJOS ĮSTATYMUS IR REIKALAVIMUS.

Šio vadovo dalių ar viso vadovo negalima dauginti ar pakartotinai spausdinti iš anksto negavus raštiško „Motion Concepts“ ar įstatyminių atstovų pritarimo.


Šis naudotojo vadovas yra sudarytas pagal naujausias specifikacijas ir leidimo metu prienamą informaciją apie gaminį. Mes pasiliegame teisę atlikti reikiamus keitimus, kai juos atlikti tampa būtina. Bet kokie mūsų gaminių pakeitimai gali šiek tiek skirtis nuo šio vadovo iliustracijų ir paaiškinimų bei jūsų įsigyto produkto. Jei turite klausimų ar neišaiškumų dėl šimame vadove pateiktos informacijos, kreipkitės pagalbos į mūsų klientų aptarnavimo tarnybą.


Turinys


- 1.0 Bendrieji įspėjimai
- 2.0 Saugos informacija
- 3.0 MX2 montavimas / reguliavimas – **fiksuota atrama**
- 4.0 MX2 montavimas / reguliavimas – **nuimama atrama**
- 5.0 Įprastos ir techninės priežiūros instrukcijos
- 6.0 MX2 pasirinktys


SAUGOS SIMBOLIAI:

Tinkamas „Invacare Matrix MX2“ atlošo nustatymas ir saugus naudojimas priklauso nuo jūsų, taip pat jūsų tiekėjo, globėjo ir (arba) sveikatos priežiūros specialisto pagrįsto sprendimo ir vadovavimosi sveiku protu. Šiame naudotojo vadove naudojami toliau nurodyti simboliai, skirti įspėjimams, perspėjimams ir svarbioms pastaboms nustatyti. Juos būtinai turite perskaityti ir gerai suprasti jų reikšmę.

 **PERSPĖJIMAS!** Jei nepaisysite šiame vadove nurodytų perspėjimų, gali būti pažeistas jūsų „Matrix“ sėdynės gaminys.

 **ĮSPĖJIMAS!** Jei nepaisysite šiame vadove pateiktų įspėjimų, gali būti sužeistas asmuo.

 **SVARBU!** Svarbi informacija, kurią reikia prisiminti „Matrix“ sėdynės montavimo ir parengimo metu.

 **SVARBU!** Žr. neįgaliesiems skirtų vežimėlių savininkų / naudotojų vadovą, kuriame pateikiama papildoma saugos informacija, įspėjimai ir atsargumo priemonės, susiję su jūsų vežimėlio naudojimu.

1.0 BENDRIEJI ĮSPĖJIMAI / INFORMACIJA

1.1 Apžvalga

▲ ĮSPĖJIMAS NAUDOTOJAMS!

NEAUDOKITE ŠIO GAMINIO IR JOKIOS SIŪLomos PAPILDOMOS ĮRANGOS, KOL NEPERSKAITYSITE IR VISIŠKAI NESUPRASITE ŠIŲ INSTRUKCIJŲ IR VISŲ PAPILDOMŲ NURODYMŲ, PVZ., SAVININKO VADOVO, PRIEŽIŪROS VADOVŲ AR INSTRUKCIJŲ LAPŲ, PATEIKTŲ SU ŠIUO GAMINIU ARBA PAPILDOMA ĮRANGA. JEI NESUPRANTATE ĮSPĖJIMŲ, PERSPĖJIMŲ AR NURODYMŲ, PRIEŠ BANDYDAMI NAUDOTI ĮRANGĄ, KREIPKITĖS Į SVEIKATOS PRIEŽIŪROS SPECIALISTĄ, PARDAVĖJĄ ARBA TECHINĮ DARBUOTOJĄ – KITAIP GALITE SUSIŽEISTI ARBA SUGADINTI PRIETAISĄ.

i SVARBI INFORMACIJA

Geriausias būdas išvengti problemų, susijusių su nuospaudomis, yra suprasti jų priežastį ir jų vaidmenį odos priežiūros programoje. Jei turite klausimų dėl individualių apribojimų ir poreikių, pasitarkite su savo gydytoju ir terapeutu. Visas nugaros pagalvėles reikia pasirinkti atidžiai. Bendradarbiavimas su gydytoju ir terapeutu yra geriausias būdas užtikrinti, kad pasirinkta pagalvėlė atitiks jūsų asmeninius poreikius. Asmens poreikiams darantis vis sudėtingesniems, dar svarbiau atlikti tinkamą įvertinimą.

„Invacare® MatrX® MX2“ atlošai

„Invacare® MatrX® MX2“ atlošo galinė pusė yra kontūrinė, kad ją būtų galima tiksliai nustatyti vežimėlyje ir optimaliai pritaikyti nugarai atremti. Putplastis yra didesnio dydžio, kad būtų užtikrintas ypatingas patogumas ir apsauga.

„Invacare® MatrX® MX2“ atlošą sudaro reguliuojama putplasčio nugaros atrama, kurią galima sumontuoti / įdėti už esamos putplasčio pagalvėlės, kad būtų geriau sureguliuota padėtis. Žr. **6.0 skyrių – Nugaros prilaikymas.**

Išorinis užvalkalas yra pagamintas iš orui pralaidžios tinklinės medžiagos, kombinuotos su medžiaga iš odos gaminių, kad naudojimo laikas būtų ilgesnis. Rekomenduojama reguliariai valyti ir tikrinti išorinį užvalkalą. Žr. **5.0 skyrių –Priežiūra**

1.2 Nusidėvintys elementai

i SVARBU! Šio gaminio įprasto nusidėvėjimo elementai ir komponentai išvardyti toliau (tačiau jais neapsiribojant): visi apmušalai, įskaitant atlošo apmušalą ir pagalves.

„Invacare“ turi teisę paprašyti grąžinti bet kurį elementą, kuris turi tariamą gamybos trūkumą. Dėl konkrečios informacijos apie garantiją žr. skyriuje **Garantijos politika** (galinis viršelis).

Dėl profilaktinės techninės priežiūros grafiko ir tinkamo gaminio naudojimo žr. šį naudotojo vadovą. Tai yra tik bendros rekomendacijos, į kurias neįtraukta informacija apie elementus, pažeistus dėl piktnaudžiavimo ir netinkamo naudojimo. Eksploatacijos laikas priklauso nuo daugelio veiksnių.

1.3 Paskirtis

Mūsų „Invacare® MatrX® MX2“ atlošai yra suprojektuoti taip, kad juos būtų galima tiksliai nustatyti vežimėlyje ir optimaliai pritaikyti nugarai atremti.

2.0 SAUGOS INFORMACIJA

2.1 Įspėjimas dėl transportavimo!

ĮSPĖJIMAS!

Yra rimto sužalojimo pavojus, perkeliant į motorinę transporto priemonę klientą kartu su vežimėliu, kuriame įrengtas „Invacare® MatrX® MX2“ atlošas.

- Visada, kai tai yra praktiška, „Invacare“ rekomenduoja klientą vežti iškėlus iš vežimėlio į transporto priemonės sėdynę ir prisegus per juosmenį ir per petį perjuosiamą saugos diržą arba įsodinus į vaikišką automobilinę kėdutę.
- „Invacare® MatrX® MX2“ atlošus galima naudoti tik kartu su vežimėliais, atitinkančiais RESNA WC19 arba ISO 7176–19 našumo reikalavimus.
- Apie tai, kaip motorine transporto priemone saugiai pervežti vežimėlyje sėdintį klientą, žr. vežimėlio pritvirtinimo ir sėdinčio asmens fiksavimo sistemos (WTORS) naudotojo vadovus.

2.2 Bendroji sauga

ĮSPĖJIMAS! Mirties, sunkaus sužalojimo arba žalos pavojus

Netinkamai naudojant gaminį gali ištikti mirtis, galima sužaloti arba padaryti žalos. Jei nesuprantate įspėjimų, perspėjimų ar nurodymų, prieš bandydami naudoti šią įrangą kreipkitės į sveikatos priežiūros specialistą ar prekybos atstovą. **NERŪKYKITE** šio gaminio ir jokios siūlomos papildomos įrangos, kol perskaitysite ir suprasite visas šias instrukcijas bei visas papildomas instrukcijas, pvz., naudotojo vadovą, naudojimo vadovus ar instrukcijų lapus, pateiktus su šiuo gaminiu arba papildoma įranga.

ĮSPĖJIMAS! Mirties, sunkaus sužalojimo arba žalos pavojus

Ant sėdynės sistemos apmušalų numestos degančios cigaretės gali sukelti gaisrą, o dėl jo – mirtį, sunkų sužalojimą arba nuostolius. Kadangi besinaudojantieji vežimėliu neturi galimybės jo palikti, gaisras ir dūmai jiems kelia ypač didelį pavojų žūti arba būti rimtai sužalotiems.

- Naudodami šį vežimėlį **NERŪKYKITE**

ĮSPĖJIMAS! Pavojus susižaloti

„Invacare® MatrX®“ gaminiai yra specialiai sukurti ir pagaminti naudoti kartu su „Invacare® MatrX®“ priedais. „Invacare“ netikrino kitų gamintojų sukurtų priedų ir nerekomenduoja jų naudoti su „Invacare® MatrX®“ gaminiais.

ĮSPĖJIMAS Pavojus susižaloti

Po bet kokios naujos sėdėjimo sistemos sumontavimo reikia labai dažnai tikrinti odos būklę. Jei turite klausimų dėl individualių apribojimų ir poreikių, pasitarkite su savo gydytoju ir terapeutu. Asmens poreikiams darantis vis sudėtingesniems, dar svarbiau atlikti tinkamą įvertinimą.

2.0 SAUGOS INFORMACIJA

2.3 Įspėjimai dėl montavimo

⚠ ĮSPĖJIMAS! Pavojus sunkiai susižaloti

Nustatydami „Invacare® MatrX® MX2“ atlošo montavimo padėtį, patikrinkite, ar nenukentės vežimėlio stabilumas. Paregulius nugaros atramos priekinę ir galinę padėtį pasikeis naudotojo sunkio centras vežimėlyje. Atitraukto atlošo padėtyje vežimėlio galinis stabilumas gali būti gerokai mažesnis. Analogiškai, kai atlošas yra patrauktas į priekį, sumažės vežimėlio priekinis stabilumas.

⚠ ĮSPĖJIMAS! Sunkaus sužalojimo arba žalos pavojus

- Šiame vadove aprašytas procedūras turi atlikti kvalifikuotas technikas.
- Nepatikimas aparatinės įrangos pritvirtinimas arba jos nebuvimas gali sukelti nestabilumą, o jis, savo ruožtu, sužalojimą arba žalą.
- Po BET KOKIO reguliavimo, remonto ar priežiūros darbų, prieš naudodami įrangą įsitikinkite, kad visa techninė įranga yra tvirtai prijungta.
- NEMONTUOKITE „Invacare® MatrX® MX2“ atlošo konstrukcijos ant atlošo strypų, kurių išorinis skersmuo yra didesnis nei 25 mm (1 col.) arba mažesnis nei 19 mm (3/4 col.). Kitu atveju galite susižeisti arba padaryti žalos.
- „Invacare® MatrX® MX2“ atlošas nėra skirtas elektrinėms sėdynėms.
- „Invacare® MatrX® MX2“ atlošo montavimo padėtis yra tiesiogiai susijusi su vežimėlio stabilumu. Prieš naudojimą gali reikėti pareguliuoti priekinius ratukus, galinius ratukus, atlošo kampą, pakreipimą, atlenkimo padėtį ir (arba) sėdynės gylį.
- Prieš naudodami įsitikinkite, kad „Invacare® MatrX® MX2“ atlošas yra tinkamai pritvirtintas prie vežimėlio. Kitu atveju galite susižeisti arba padaryti žalos.

⚠ ĮSPĖJIMAS! Sunkaus sužalojimo arba žalos rizika

Pateikiama montavimo įranga yra didelio stiprumo ir atsparumo. **NEKEISKITE įrangos.** Naudokite tik originalią pateiktą „Matrx MX2“ įrangą.

2.4 Atlošų dydžiai / keliamoji galia:

KONFIGURUOTAS MODELIS	APRAŠAS	KONTŪRINIS GYLIS	KELIAMOJI GALIA
IMX2ppaa	„Matrx MX2“ atlošas	76 mm (3 col.)	113 kg (250 svar.)

* ppaa = plotis / aukštis

Galimi dydžiai: Plotis: 355–460 mm (14–18 col.);

Aukštis: 150 mm (6 col.), 230 mm (9 col.), 310 mm (12 col.), 410 mm (16 col.)

Susisiekite su savo pardavėju ar gydytoju, kad nustatytumėte tinkamą atlošo modelį / dydį pagal savo individualius poreikius. Daugiau informacijos apie mūsų „Matrx“ atlošus, įskaitant visus galimus modelius / dydžius, pateikiama www.motionconcepts.com arba www.invacare.com.

3.0 MX2 ATLOŠAS – FIKSUOTOS ATRAMOS MONTAVIMAS

3.1 Fiksuoto montavimo detalių rinkinys

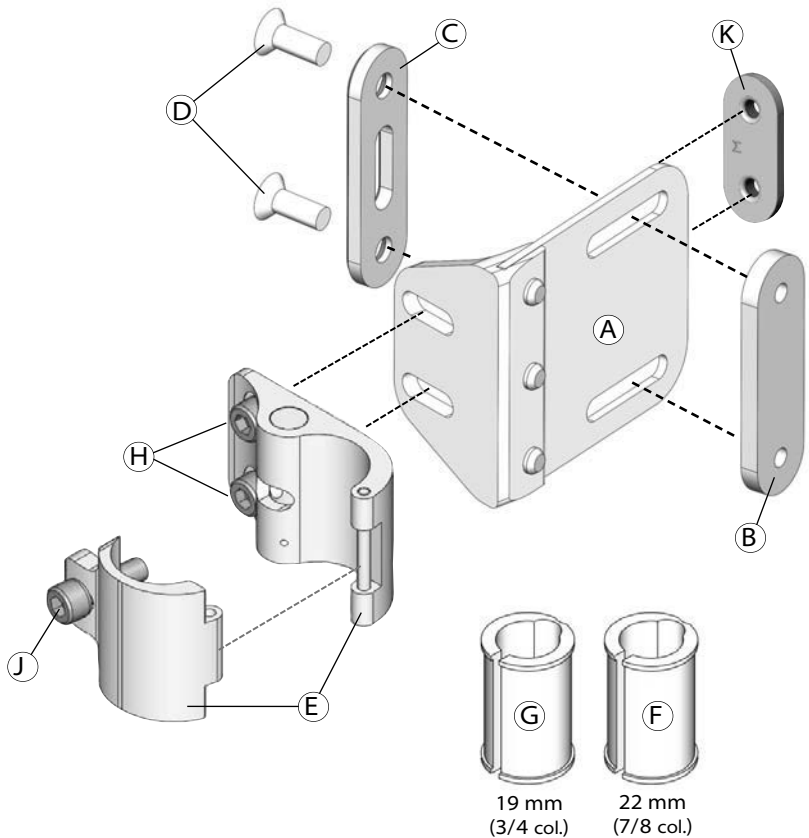
i) Montavimo laikiklio konstrukcija (*montuojama ant MX2 atlošo rėmo*):

- | | |
|--|---|
| 2 – Fiksuoto montavimo laikikliai (A) | 2 – Fiksuoto rėmo tarpinės plokštelės (C) |
| 2 – Fiksuoto rėmo veržlės plokštelės (B) | 4 – Fiksuoto rėmo varžtai (D) |

ii) Strypo spaustukų konstrukcija (*montuojama ant vežimėlio atlošo strypų*):

- | | |
|--|---|
| 2 – Strypo spaustukas (E) | 4 – Gylio / atlenkimo reguliavimo varžtai (H) |
| 2 – Strypų tarpai 22 mm (7/8 col.) (F) | 2 – Strypų spaustukų varžtai (J) |
| 2 – Strypų tarpai 19 mm (3/4 col.) (G) | 2 – Strypų spaustuko veržlės plokštelės (K) |

(pavaizduotos surinktos detalės iš dešinės)



3.0 MX2 ATLOŠAS – FIKSUOTOS ATRAMOS MONTAVIMAS

3.2 Reikalingi įrankiai

Šešiabriaunis raktas (4–5 mm, pridedamas)

Matavimo juosta / liniuotė

! TURĖKITE OMENYJE

Jei kurios nors įrangos montavimo dalies nėra arba ji pasimetė, susisiekite su mūsų vietos „Invacare“ / „Motion Concepts“ atstovu, kad gautumėte reikalingas atsargines dalis.

3.3 MX2 fiksuotos atramos rėmo montavimas:

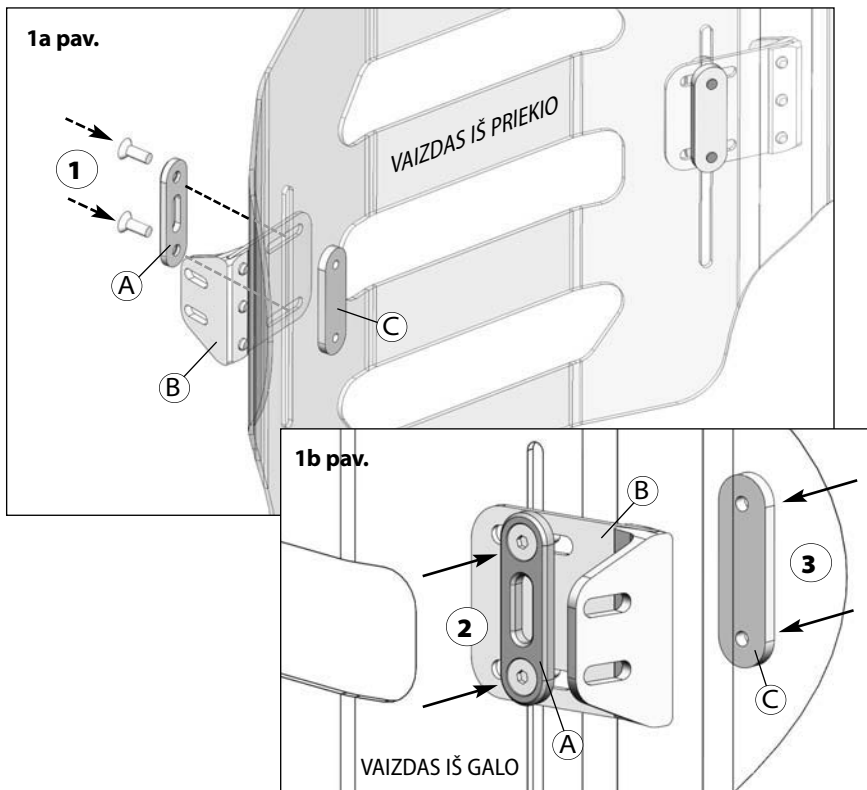
i PASTABA. Prieš montuojant fiksuoto montavimo laikiklius

Atsargiai nuimkite arba atlaisvinkite MX2 užvalkalą, atsegdami „Velcro“ lipukus palei rėmo kraštus iš atlošo apačios ir iš rėmo vidaus.

- 1 Iš kiekvienos atlošo rėmo pusės sumontuokite fiksuotos atramos rėmą ant „Invacare® MatrX® MX2“ atlošo rėmo, kaip nurodyta toliau.
 - Sulygiuokite tarpinės plokštelę (A) su fiksuoto tvirtinimo laikiklio angomis (B) ir perkirkite varžtus per abu komponentus (1); (žr. 1a pav.)
 - Iš atlošo rėmo galinės pusės įkiškite 2 išsikišusius varžtus nuo montavimo laikiklio per MX2 atlošo rėmo vertikalią angą (2); (žr. 1b pav.)
 - Kad pritvirtintumėte montavimo laikiklį prie Mx2 atlošo rėmo, prisukite varžtus į veržlės plokštelę (C), esančią atlošo rėmo priekyje (viduje) (3); (žr. 1b pav.)
- 2 Primontuokite likusį fiksuotą montavimo laikiklį prie priešingos atlošo rėmo pusės (pagal pirmiau nurodytą 1 veiksmą).

3.0 MX2 ATLOŠAS – FIKSUOTOS ATRAMOS MONTAVIMAS

Fiksuoto montavimo laikiklio montavimas



3.4 Prieš montavimą: MX2 strypo spaustuko orientavimas:

i SVARBU! Prieš montuojant MX2 strypo spaustukus, pirmiausia reikia nustatyti spaustukų orientaciją.

Standartinės konfigūracijos atveju strypo spaustukai (A) surenkami ir montuojami prie atlošo strypų, spaustukus nukreipiant *i galą*. Taikant šią konfigūraciją maksimaliai padidinamas vežimėlio sėdynės gylis – žr. **2a pav.**

Apverstos konfigūracijos* atveju strypo spaustukai (A) ant atlošo strypų pasukami 180° kampu. Taikant šią konfigūraciją sumažinamas vežimėlio sėdynės gylis ir ir MX2 atlošas nustatomas labiau *priekinėje* padėtyje, jei to reikia – žr. **2b pav.**

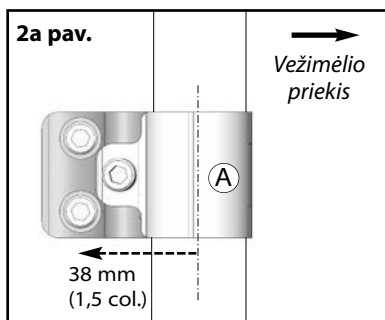
Strypo spaustukai (A) suteikia galimybę **38 mm (1,5 col.)** reguliuoti išilginę arba galinę padėtį (atlošo strypo atžvilgiu), atsižvelgiant į pasirinktą montavimo konfigūraciją.

3.0 MX2 ATLOŠAS – FIKSUOTOS ATRAMOS MONTAVIMAS

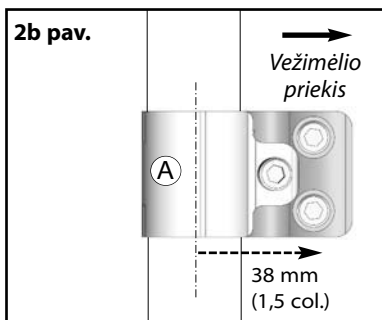
3.4 Prieš montavimą: MX2 strypo spaustuko orientavimas: ...tęsinys

⚠ ĮSPĖJIMAS! Pavojus sunkiai susižaloti
Nustatydami galutinę „Invacare® MatrX® MX2“ atlošo montavimo padėtį, patikrinkite, ar nenukentės vežimėlio stabilumas.
Paregulius atlošo priekinę ir galinę padėtį pasikeis naudotojo sunkio centras vežimėlyje. Atitraukto atlošo padėtyje vežimėlio galinis stabilumas gali būti gerokai mažesnis. Analogiškai, kai atlošas yra patrauktas į priekį, sumažės vežimėlio priekinis stabilumas.

MX2 strypo spaustuko orientavimas



**Standartinė strypo
spaustukų konfigūracija**
(didžiausias sėdynės gylis)



**Apversta strypo
spaustukų konfigūracija**
(mažiausias sėdynės gylis)

3.5 MX2 strypo spaustukų montavimas:

MX2 strypo spaustukai suprojektuoti taip, kad juos būtų galima montuoti ant 25 mm (1 col.), 22 mm (7/8 col.) ir 19 mm (3/4 col.) skersmens atlošo strypų. (Pateikiami plastikiniai tarpai (A), kad juos būtų galima montuoti ant mažesnio skersmens strypų*).

- 1 Nuimkite esamą vežimėlio nugaros atlošą (jei ji yra).
- 2 Laisvai uždėkite strypo spaustukų konstrukciją (B) ant kiekvieno atlošo strypo norima kryptimi – žr. 3 pav. ir 4 pav., kur pateikta montavimo apžvalga.

*Atlošo strypų dydžio pritaikymas:

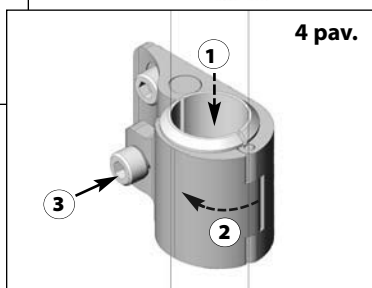
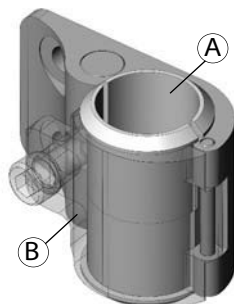
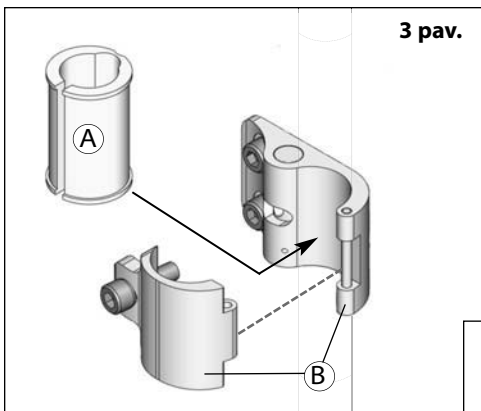
25 mm (1 col.) strypai – plastikinių tarpų nereikia

22 mm (7/8 col.) strypai – sumontuokite 22 mm (7/8 col.) plastikinius tarpus (x 2)

19 mm (3/4 col.) strypai – sumontuokite 19 mm (3/4 col.) plastikinius tarpus (x 2)

3.0 MX2 ATLOŠAS – FIKSUOTOS ATRAMOS MONTAVIMAS

MX2 strypo spaustukų montavimas



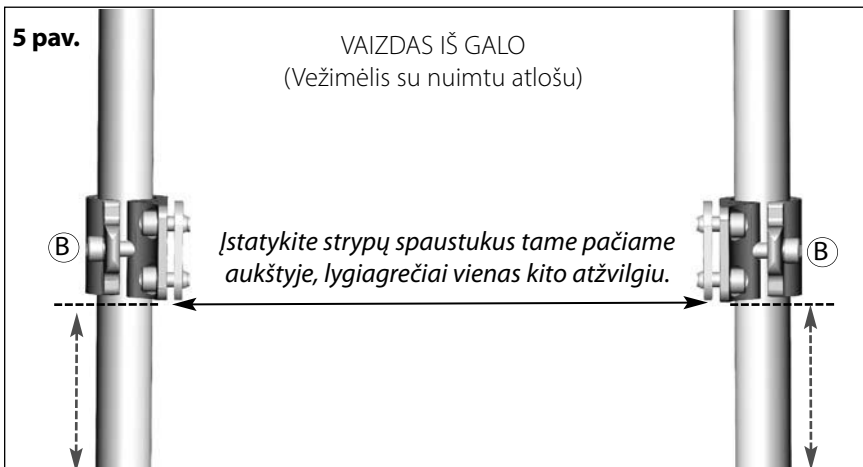
NAUDINGAS PATARIMAS

Išpurškite nedidelį kiekį plaukų lako ant atlošo strypų ir ant plastikinių įdėklų vidaus, kad sluoksniai susijungtų saugiai ir neslidinėtų.

- 3 Pradėkite iš vienos pusės, pastumkite / sureguliuokite strypo spaustukų konstrukciją (B) į norimą aukštį / padėję išilgai atlošo strypo ir tvirtai ją priveržkite.

Pastaba. Galutinį atlošo aukštį galima dar labiau sureguliuoti / suderinti sumontavus MX2 atlošo rėmą ant strypų spaustukų (žr. 5 pav.)

MX2 strypų spaustukų aukščio nustatymas



3.0 MX2 ATLOŠAS – FIKSUOTOS ATRAMOS MONTAVIMAS

3.5 MX2 strypo spaustukų montavimas: (... tęsinys)

- 4 Nuo fiksuoto taško ant vežimėlio (pvz., sėdynės rėmo / „Rigidizer“ strypo) išmatuokite pirmo strypo spaustuko aukštį (B) ir įstatykite antrą strypo spaustuką (B) tame pačiame aukštyje ant priešingo atlošo strypo (žr. 5 pav.)

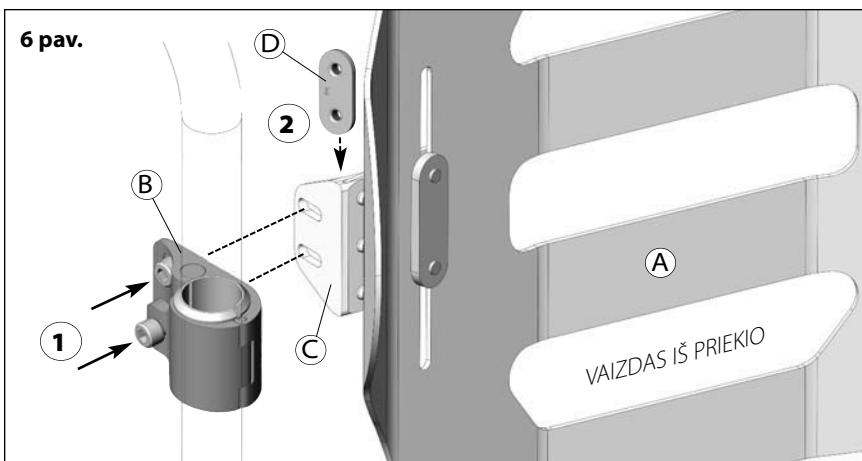
Pastaba. Įsitikinkite, kad strypų spaustukai yra sumontuoti lygiagrečiai vienas kito atžvilgiu.

3.6 MX2 atlošo montavimas ant fiksuotų strypo spaustukų:

- 1 Iš kiekvienos atlošo rėmo pusės sumontuokite „Matrx MX2“ atlošą (A) ant strypo spaustukų* (žr. 6 pav.):
- Sulygiuokite 2 montavimo varžtus strypo spaustukų konstrukcijoje (B) su atitinkamomis angomis MX2 fiksuotame montavimo laikiklyje (C) (1).
 - Pritvirtinkite strypo spaustukų konstrukciją prie MX2 montavimo laikiklio naudodami pateiktą srieginės veržlės plokštelę (D) (2).
 - Pakartokite (1) ir (2) veiksmus, kad pritvirtintumėte MX2 atlošo rėmą ant priešingo atlošo strypo.

***PASTABA.** Prieš vėl montuodami „Matrx MX2“ į strypų spaustukus, fiksuoto montavimo laikiklius reikia šiek tiek atlaisvinti, kad geriau išsilygiuotų ir įsimontuotų atlošo rėmas. Išsamesnes instrukcijas apie pločio / aukščio reguliavimą žr. 3.7 skyriuje (8 pav.)

MX2 atlošo montavimas: FIKSUOTO montavimo detalės



3.0 MX2 ATLOŠAS – FIKSUOTOS ATRAMOS MONTAVIMAS

3.7 MX2 fiksuotos atramos atlošo reguliavimas:

i SVARBU! MX2 fiksuoto montavimo laikikliai yra skirti montuoti ant atlošo strypų, kurie yra iki **1 col. (25 mm) platesni arba 1 col. (25 mm) siauresni** nei vardinis atlošo plotis. Įrengiant standartiškai, MX2 atlošą reikia sumontuoti simetriškai (centre) tarp atlošo strypų.

i SVARBU! Kad būtų galima tiksliausiai nustatyti optimalias atlošo gylio / aukščio / kampo konfigūracijas, asmenį nustatymo metu reikia pasodinti į vežimėlį.

- 1 MX2 atlošo rėmą sumontavus ant vežimėlio (strypų spaustukų), galutinį MX2 atlošo gylį, aukštį / plotį ir atlenkimo kampą galima toliau reguliuoti tol, kol jie tiks galutiniam naudotojui:

i. **Gylio reguliavimas:** MX2 atlošo gylis (atlošo strypų atžvilgiu) yra valdomas reguliuojant dviem atskirais būdais:

MX2 strypo spaustuko orientavimas: (žr. taip pat 3.4 skyrių)

MX2 strypų spaustukų orientavimas (sumontuojant priekinėje ar užpakalinėje padėtyje) perkels atlošo rėmą (+/- 1,5 col. (38 mm)) atlošo strypų atžvilgiu (1). Žr. 7a pav.

Didžiausias MX2 fiksuoto montavimo detalių gylio reguliavimo priekyje ir gale diapazonas = 3 col. (76 mm) (+/- 1,5 col. (38 mm)).

MX2 montavimo plokštelės:

MX2 montavimo plokštelių kanalus su angomis gylio atžvilgiu galima reguliuoti iki 13 mm (1/2 col.) (2) didžiausio reguliuojamo atstumo ribose. Žr. 7b pav.

ii. **Pločio / aukščio reguliavimas:** Norėdami suderinti įvairius atlošo strypų storius, tiksliai sureguliuokite plotį, kurio reguliavimas galimas pasitelkiant horizontalias angas MX2 montavimo laikliuose (1). MX2 atlošo aukštis (atlošo strypų atžvilgiu) reguliuojamas naudojantis vertikaliomis angomis MX2 atlošo rėme (2). Angos ilgis (aukščio reguliavimas) gali skirtis priklausomai nuo atlošo rėmo dydžio (aukščio). Žr. 8a pav. ir 8b pav.

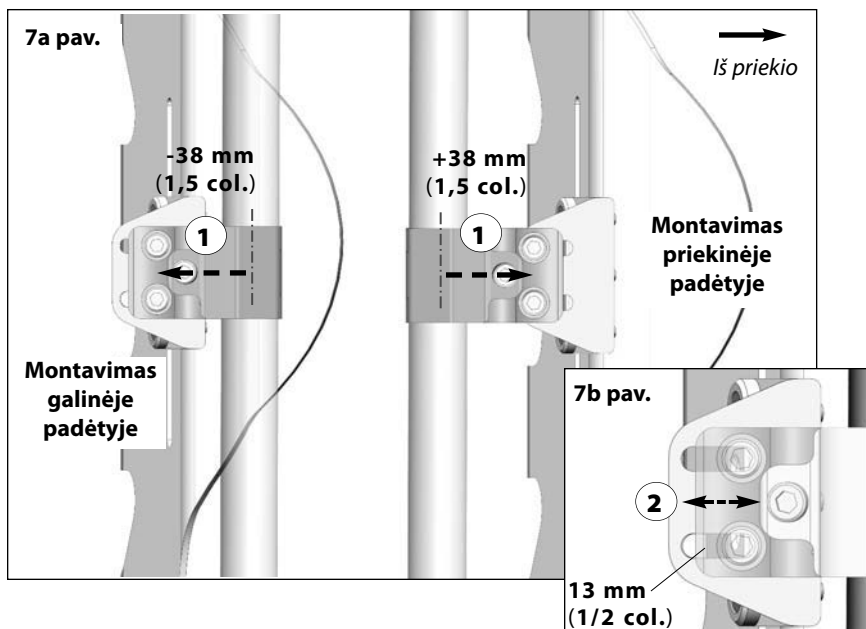
iii. **Kampo reguliavimas:** Atlošo kampo reguliavimas $\pm 15^\circ$ atliekamas sukant atlošo rėmą į priekį (1) arba atgal (2) per MX2 montavimo laikiklių kanalus su angomis. Žr. 9 pav.

- 2 Patikrinkite, ar bendras vežimėlio atlošo patogumas, pritaikymas ir išlygiavimas tinka klientui. Pereguliuokite dar, jei to reikia.
- 3 Pritvirtinkite / priveržkite visą įrengimo / montavimo įrangą, ir užtikrinkite, kad MX2 montavimo plokštelės laikikliai / strypo spaustukai nenuslystų ir nesisuktų nutoldami nuo reikiamos padėties.

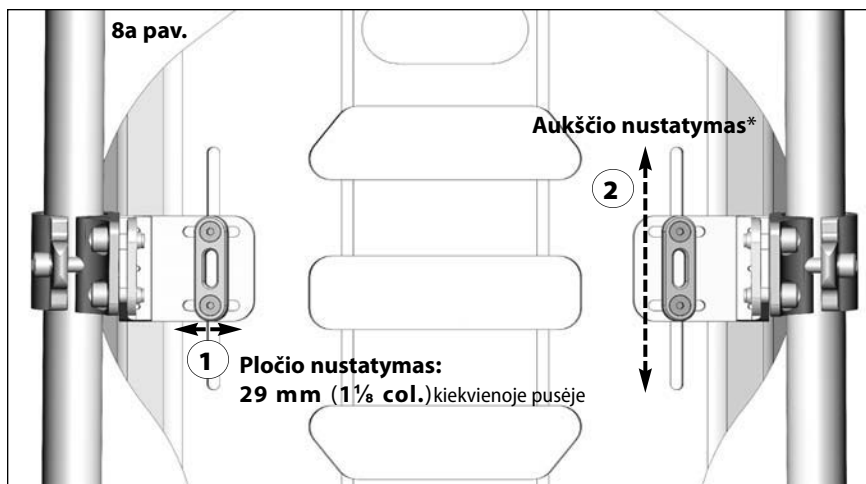
3.0 MX2 ATLOŠAS – FIKSUOTOS ATRAMOS MONTAVIMAS

i SVARBU! Jei nenurodyta kitaip, gylį, aukštį ir kampą visad reikia reguliuoti simetriškai ant kairiosios ir dešinės montavimo plokštelių.

MX2 fiksuota atrama: GYLIO reguliavimas



MX2 fiksuota atrama: PLOČIO / AUKŠČIO nustatymas (strypų spaustukų atžvilgiu)



3.0 MX2 ATLOŠAS – FIKSUOTOS ATRAMOS MONTAVIMAS

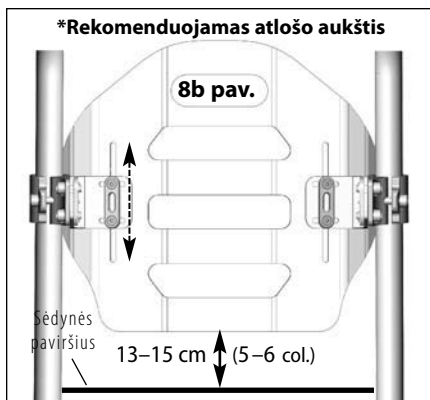
*PASTABA. MX2 atlošo aukščio reguliavimas skiriasi priklausomai nuo MX2 atlošo rėmo aukščio (angos ilgio) – žr. 1.0 lentelę:

1.0 lentelė.

MX2 aukščio (angos) nustatymas

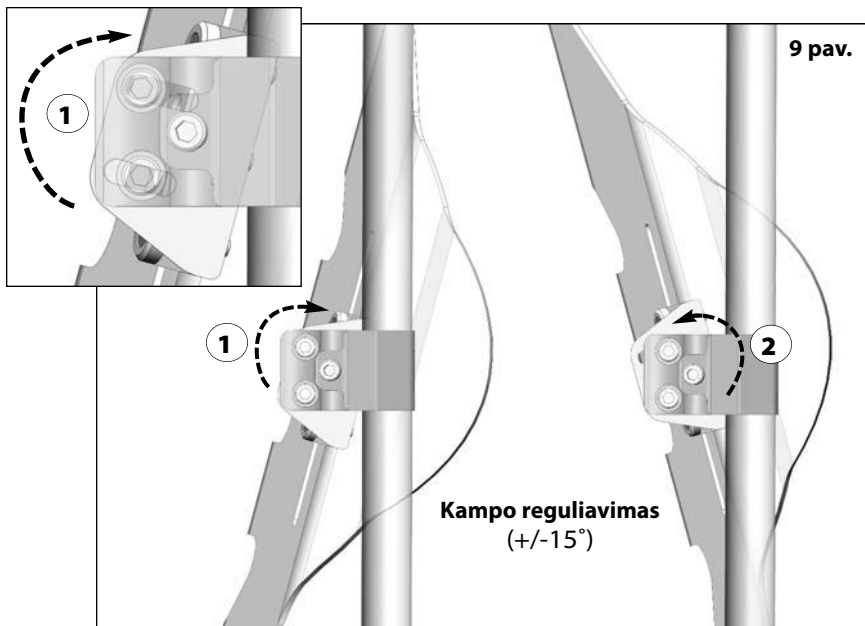
Atlošo rėmo aukštis	Nustatymo intervalas
150 mm (6 col.)	13 mm (1/2 col.)
230 mm (9 col.)	51 mm (2 col.)
310 mm (12 col.)	51 mm (2 col.)
410 mm (16 col.)	89 mm (3,5 col.)

**Pastaba. Rekomenduojamas MX2 atlošo aukštis pateikiamas tik kaip orientyras. Gali būti būtini nedideli skirtumai - žr. toliau pateiktą pastabą Svarbu!*



i SVARBU! Visada įsitikinkite, kad atlošo apačia yra anatomiškai žemiau už užpakalinę viršutinę klubinės dalies stuburo sritį (PSIS). Jei turite klausimų ar neaiškumų dėl tinkamo atlošo aukščio nustatymo, kreipkitės į savo tiekėją ir (arba) sveikatos priežiūros specialistą, kad jie suteiktų tinkamą konsultaciją.

MX2 fiksuota atrama: ATLOŠO KAMPO nustatymas

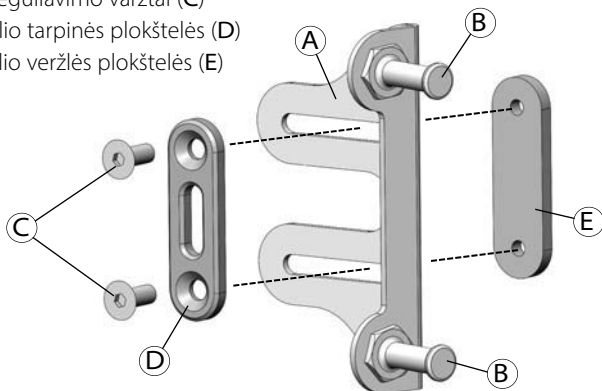


4.0 MX2 ATLOŠAS – NUIMAMOS ATRAMOS MONTAVIMAS

4.1 Nuimamos (greito atjungimo) atramos įrangos rinkinys:

i) QR montavimo laikiklio konstrukcija (montuojama ant MX2 atlošo rėmo):

- 2 – MX2 QR montavimo laikikliai (A)
- 4 – Greito atjungimo montavimo kaiščiai (B)
- 4 – Pločio / aukščio reguliavimo varžtai (C)
- 2 – Montavimo laikiklio tarpinės plokštelės (D)
- 2 – Montavimo laikiklio veržlės plokštelės (E)

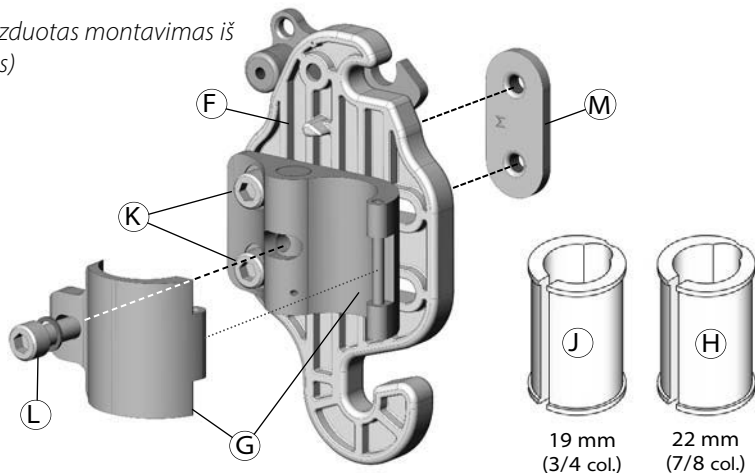


(Pavaizduotas montavimas iš dešinės)

ii) Strypo spaustukų konstrukcija (montuojama ant vežimėlio atlošo strypų):

- 2 – mažos montavimo plokštelės (F)
- 2 – strypo spaustukas (G)
- 2 – strypų tarpai 22 mm (7/8 col.) (H)
- 2 – strypų tarpai 19 mm (3/4 col.) (J)
- 4 – gylio / kampo reguliavimo varžtai (K)
- 2 – strypų spaustukų varžtai (L)
- 2 – strypų spaustuko veržlės plokštelės (M)

(pavaizduotas montavimas iš dešinės)



4.0 MX2 ATLOŠAS – NUIMAMOS ATRAMOS MONTAVIMAS

4.2 Reikalingi įrankiai

Šešiabriaunis raktas (4–5 mm, pridedamas)

Matavimo juosta / liniuotė



TURĖKITE OMENYJE

Jei kurios nors įrangos montavimo dalies nėra arba ji pasimetė, susisiekite su mūsų vietas „Invacare“ / „Motion Concepts“ atstovu, kad gautumėte reikalingas atsargines dalis.

4.3 MX2 greito atjungimo montavimo laikiklio montavimas:

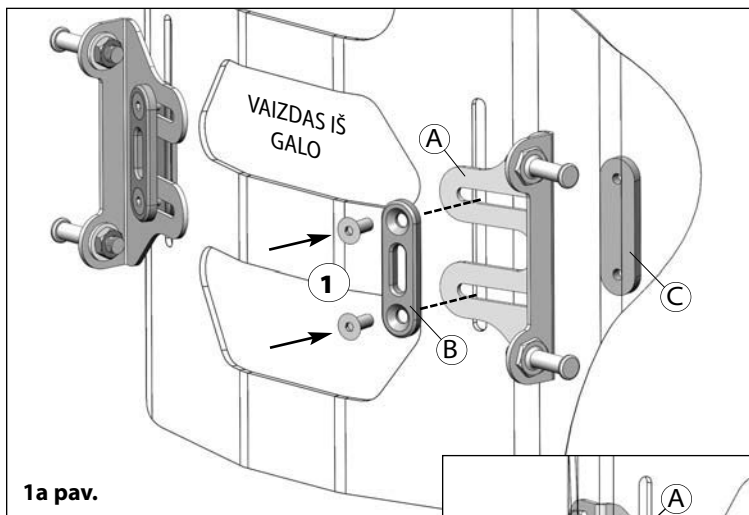
i PASTABA. Prieš montuojant sparčiojo atjungimo (QR) montavimo laikiklius

Atsargiai nuimkite MX2 užvalkalą, atsegdami „Velcro“ kilpas ir kabliukus palei rėmo kraštus iš viršaus, apačios ir iš atlošo rėmo vidaus.

- 1 Iš kiekvienos atlošo rėmo pusės sumontuokite greito atjungimo montavimo laikiklį (A) ant „Matrx MX2“ atlošo rėmo, kaip nurodyta toliau.
 - Sulgiuokite tarpinės plokštelę (B) su tvirtinimo laikiklio angomis (A) ir perkirkite varžtus per abu komponentus (1); (žr. 1a pav. (p. 18))
 - Iš atlošo rėmo galinės pusės įkiškite 2 išsikišusius varžtus nuo montavimo laikiklio per MX2 atlošo rėmo vertikalią angą (2); (žr. 1b pav.)
 - Kad pritvirtintumėte montavimo laikiklį prie Mx2 atlošo rėmo, įsukite varžtus į veržlės plokštelę (D), esančią atlošo rėmo priekyje (viduje) (3); (žr. 1b pav.)
- 2 Primontuokite likusį greitojo atjungimo montavimo laikiklį (A) prie priešingos rėmo pusės (pagal pirmiau nurodytą 1 veiksmą).

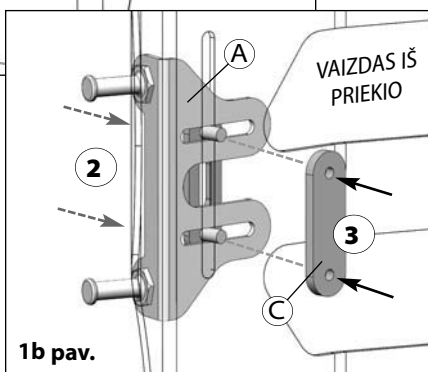
4.0 MX2 ATLOŠAS – NUIMAMOS ATRAMOS MONTAVIMAS

Greitojo atjungimo montavimo laikiklio montavimas



NAUDINGAS PATARIMAS

Greitojo atjungimo montavimo laikiklius / detales galima neprisukant pritvirtinti ant MX2 atlošo rėmo, kad būtų lengviau sulygiuoti rėmą (jo plotį / aukštį), montuojant ant MX2 montavimo plokštelių.



4.4 Prieš montavimą: MX2 strypo spaustuko orientavimas

SVARBU! Prieš montuojant MX2 strypų spaustukų konstrukcijas, pirmiausia reikia nustatyti spaustukų orientaciją.

ĮSPĖJIMAS! Pavojus sunkiai susižaloti

Nustatydami galutinę „Invacare® Matr[®] MX2“ atlošo montavimo padėtį, patikrinkite, ar nenukentės vežimėlio stabilumas.

Paregulius atlošo priekinę ir galinę padėtį pasikeis naudotojo sunkio centras vežimėlyje. Atitraukto atlošo padėtyje vežimėlio galinis stabilumas gali būti gerokai mažesnis. Analogiškai, kai atlošas yra patrauktas į priekį, sumažės vežimėlio priekinis stabilumas.

4.0 MX2 ATLOŠAS – NUIMAMOS ATRAMOS MONTAVIMAS

Standartinės **konfigūracijos atveju**, MX2 strypo spaustukai (A) ir montavimo plokštelės (B) surenkami ir montuojami prie atlošo strypų, spaustukus nukreipiant *į galą*. Taikant šią konfigūraciją maksimaliai padidinamas vežimėlio sėdynės gylis – žr. 2 pav.

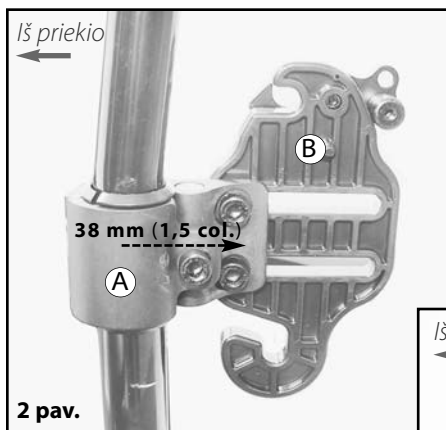
Apverstos **konfigūracijos*** atveju strypo spaustukai (A) ant atlošo strypų pasukami 180° kampu. Taikant šią konfigūraciją sumažinamas vežimėlio sėdynės gylis ir MX2 atlošas nustatomas labiau *priekinėje* padėtyje, jei to reikia – žr. 3 pav.

Strypo spaustukai (A) suteikia galimybę 38 mm (1,5 col.) reguliuoti išilginę arba galinę padėtį (atlošo rėmo atžvilgiu), atsižvelgiant į pasirinktą montavimo konfigūraciją.

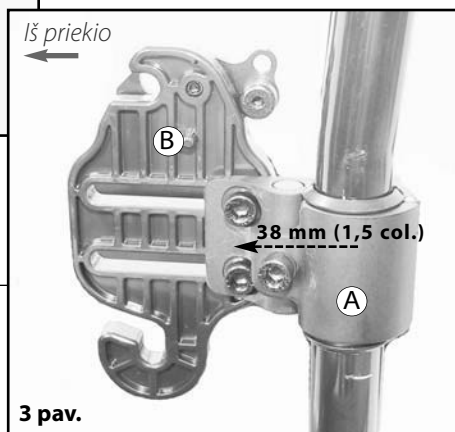
Pastaba. Išsamesnes instrukcijas apie MX2 nuimamo atlošo gylio reguliavimą žr. 4.8 skyriuje.

*Norėdami paversti montavimo plokštę / strypo spaustuką į priekinę padėtį:

- 1 Nuardykite montavimo plokštę (B) nuo strypo spaustuko (A) (2 varžtais);
- 2 Pasukite strypo spaustuką (A) 180°, tada vėl sumontuokite montavimo plokštę (B) ta pačia padėtimi (kaip pavaizduota toliau 3 pav.)



**Standartinė strypo
spaustukų konfigūracija**
(didžiausias sėdynės gylis)



**Apversta strypo
spaustukų konfigūracija**
(mažiausias sėdynės gylis)

4.0 MX2 ATLOŠAS – NUIMAMOS ATRAMOS MONTAVIMAS

4.5 MX2 strypo spaustukų / montavimo plokštelės montavimas:

MX2 strypo spaustukai suprojektuoti taip, kad juos būtų galima montuoti ant 25 mm (1 col.), 22 mm (7/8 col.) ir 19 mm (3/4 col.) skersmens atlošo strypų. (Pateikiami plastikiniai tarpai (A), kad juos būtų galima montuoti ant mažesnio skersmens strypų*).

- 1 Nuimkite esamą vežimėlio nugaros atlošą (jei ji yra).
- 2 Laisvai uždėkite strypo spaustukų konstrukciją (B) ant kiekvieno atlošo strypo norima kryptimi – žr. 4 pav. ir 5 pav., kur pateikta montavimo apžvalga.

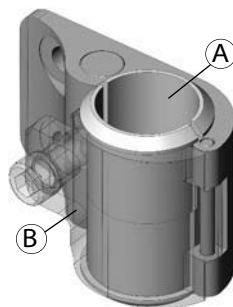
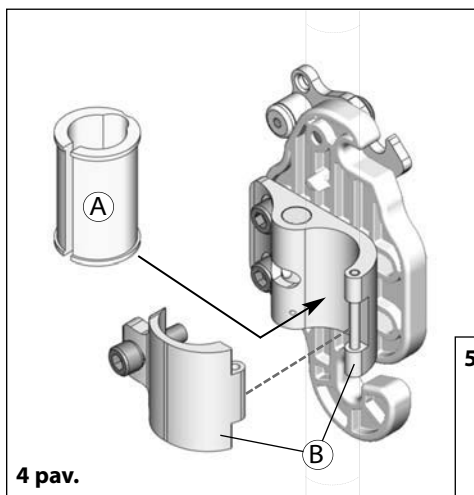
*Atlošo strypų dydžio pritaikymas:

25 mm (1 col.) strypai – Plastikinių tarpų nereikia

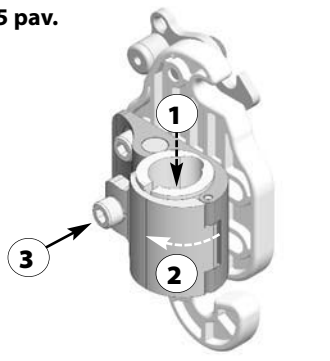
22 mm (7/8 col.) strypai – Sumontuokite 22 mm (7/8 col.) plastikinius tarpus (x 2)

19 mm (3/4 col.) strypai – Sumontuokite 19 mm (3/4 col.) plastikinius tarpus (x 2)

MX2 strypo spaustukų montavimas



5 pav.



NAUDINGAS PATARIMAS

Išpurškite nedidelį kiekį plaukų lako ant atlošo strypų ir ant plastikinių įdėklų vidaus, kad sluoksniai susijungtų saugiai ir neslidinėtų.

4.0 MX2 ATLOŠAS – NUIMAMOS ATRAMOS MONTAVIMAS

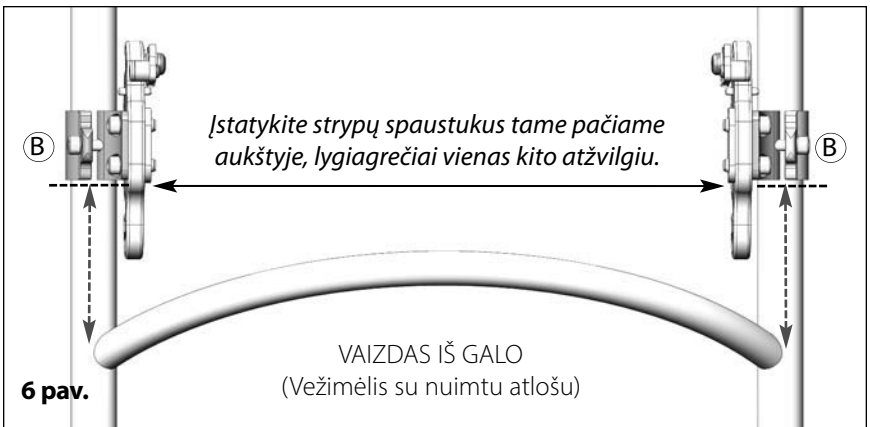
- 3 Pradėkite iš vienos pusės, pastumkite / sureguliuokite stygo spaustukus (B) į norimą aukštį / padėtinį išilgai atlošo stygo ir tvirtai juos priveržkite.

Pastaba. Galutinį atlošo aukštį galima dar labiau sureguliuoti / suderinti sumontavus MX2 atlošo rėmą ant montavimo plokštelių

- 4 Nuo fiksuoto taško ant vežimėlio (pvz., sėdynės rėmo / „Rigidizer“ stygo) išmatuokite pirmo stygo spaustuko konstrukcijos aukštį, ir įstatykite antrą stygo spaustuką tame pačiame aukštyje ant priešingo atlošo stygo – žr. toliau 6 pav..

Pastaba. Įsitikinkite, kad stygų spaustukai / montavimo plokštelės yra sumontuotos lygiagrečiai vieni kitų atžvilgiu.

MX2 stygų spaustukų / montavimo plokštelių aukščio nustatymas



4.6 MX2 atlošo montavimas ant greitojo atjungimo tvirtinimo detalių

⚠ ĮSPĖJIMAS! Netinkamai sumontavus stygus, gali būti sugadintas atlošas ir (arba) montavimo plokštelės. Užtikrinkite, kad būtų pakankamai vietos tarp montavimo plokštelių ir montavimo kaiščių viršutinės dalies (**rekomenduojama palikti mažiausiai 3 mm (1/8 col.) tarpą**).

⚠ ĮSPĖJIMAS! Niekada nenaudokite „Loctite“ klijų montavimo detalėms; panaudojus klijus, gali pablogėti nemetaliųjų komponentų savybės, jie gali tapti trapūs ir sulūžti.

📌 SVARBU! Jei nėra būtina daryti kitaip, **visada** užtikrinkite, kad būtų reguliuojama **simetriškai** ant kairiojo ir dešiniojo montavimo laikiklių.

4.0 MX2 ATLOŠAS – NUIMAMOS ATRAMOS MONTAVIMAS

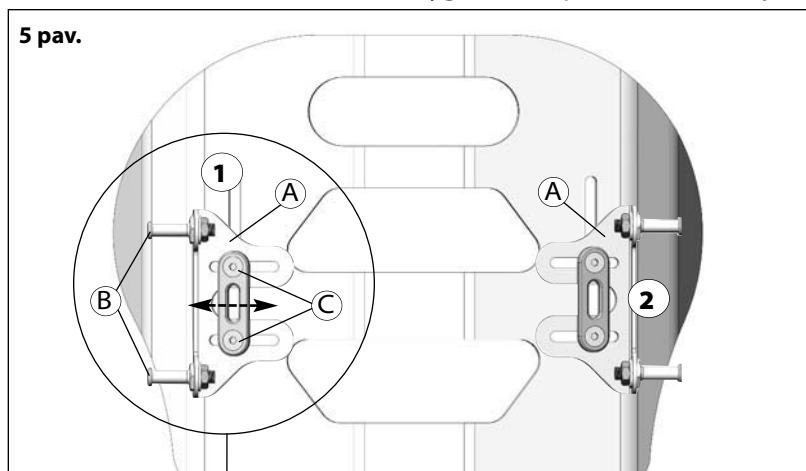
i SVARBU! Atminkite, kad atlaisvinus QR montavimo laikiklius (A) bus taip pat pakeistas MX2 atlošo **plotis ir aukštis**. Prieš pradėdami montavimą perskaitykite **visas instrukcijas**. Montavimo metu rekomenduojama vienu metu reguliuoti vieną montavimo laikiklį.

! TURĖKITE OMENYJE

Kiekvienas greitojo atjungimo montavimo laikiklis (A) pateikiamas su įrengtais montavimo kaiščiais (B) ir jame yra suprojektuotos reguliuojamo pločio angos, suteikiančios galimybę sumontuoti MX2 atlošą ant atlošo strypų, kurie yra iki 25 mm (1 col.) platesni arba 25 mm (1 col.) siauresni už nominalųjį atlošo plotį.

- 1 Prieš montuojant „Invacare® Matr[®] MX2“ atlošą: (žr. 5 pav.)
 - i. Po vieną iš kiekvienos pusės šiek tiek atlaisvinkite montavimo laikiklio tarpinės plokštelę ir detalę (C) taip, kad QR montavimo laikiklį (A) ir montavimo kaiščius (B) būtų galima sureguliuoti į vidų arba į išorę (1) (kaip reikia), kad jie susilygiuotų su strypų spaustukų montavimo plokštelėmis – žr. 2 veiksmą. (6a / 6b pav.)
 - ii. Palikite kitą (priešingą) QR montavimo laikiklio konstrukciją pritvirtintą prie MX2 atlošo rėmo (2).

QR montavimo kaiščio / laikiklio sulygiavimas (prieš montavimą)



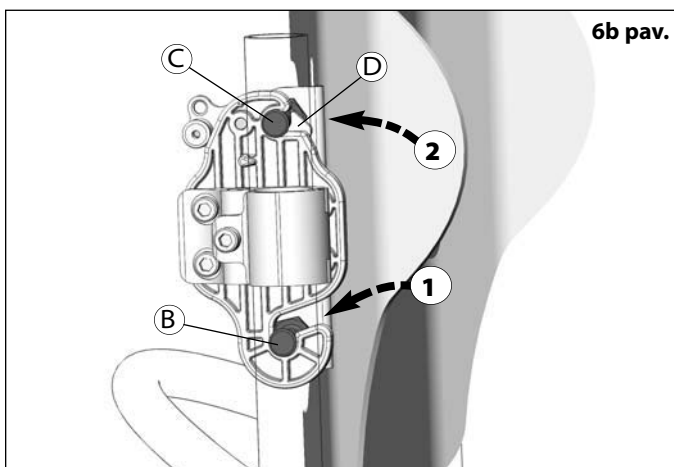
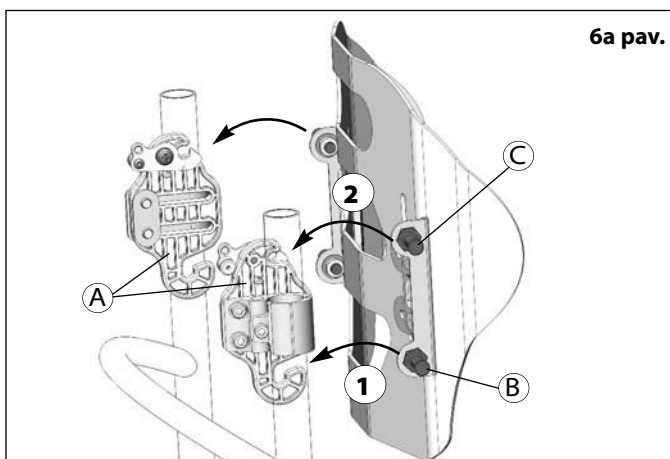
Atlaisvinta montavimo laikiklio konstrukcija (tik viena pusė)

4.0 MX2 ATLOŠAS – NUIMAMOS ATRAMOS MONTAVIMAS

- 2 Sumontuokite MX2 atlošą ant montavimo plokštelių (A), kaip nurodyta toliau. (Žr. 6a pav. ir 6b pav.)
- Sulygiuokite ir įkiškite apatinius montavimo kaiščius (B) į angas kiekvienos montavimo plokštelės apačioje (1).
 - Įstatę apatinius kaiščius, užfiksuokite viršutinius montavimo kaiščius (C) mechanizme (D) montavimo plokštelių viršuje (2).

⚠ ĮSPĖJIMAS! Montuodami MX2 atlošą, visada patikrinkite, ar abu fiksavimo mechanizmai (D) visiškai užfiksuoja viršutinius montavimo kaiščius.

MX2 atlošo montavimas ant montavimo plokštelių



4.0 MX2 ATLOŠAS – NUIMAMOS ATRAMOS MONTAVIMAS

4.7 MX2 atlošas: pločio ir aukščio reguliavimas

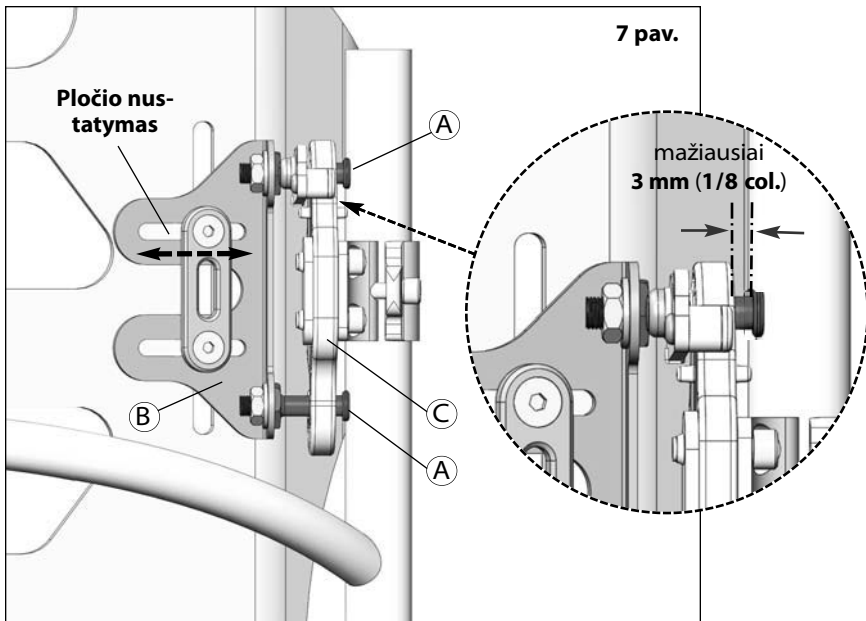
i SVARBU! Atminkite, kad MX2 atlošo **pločio ir aukščio** reguliavimas atliekamas vienu metu. Montavimo metu rekomenduojame vienu metu reguliuoti vieną laikiklį ir kiekvieną laikiklį įtvirtinti tik tiek, kad kiekvienąkart paregulavus jis neišslystų. Montuojamas detales galima stipriai priveržti baigus montavimą / įrengimą.

- 1 Montavimo kaiščių pločio reguliavimas** Kai MX2 atlošas jau užfiksuotas montavimo plokštelėse, sureguliuokite montavimo kaiščio (A) plotį kiekvienaime montavimo laikiklyje (B) taip, kad liktų **mažiausiai 3 mm (1/8 col.)** tarpas tarp montavimo kaiščių viršutinės dalies ir montavimo plokštelės išorinės pusės (C)*. (Žr. 7 pav.).

***PASTABA.** Įrengiant standartiškai, MX2 atlošą reikia sumontuoti, atlošo rėmą įrengiant simetriškai (centre) tarp atlošo strypų, o po to pareguliuoti plotį. (Montavimo laikiklius reikėtų simetriškai sureguliuoti ant atlošo rėmo)

- 2** Priveržkite montavimo laikiklių konstrukcijas tik tiek, kad jos neslystų.

MX2 montavimas: montavimo kaiščių sąranka / pločio reguliavimas

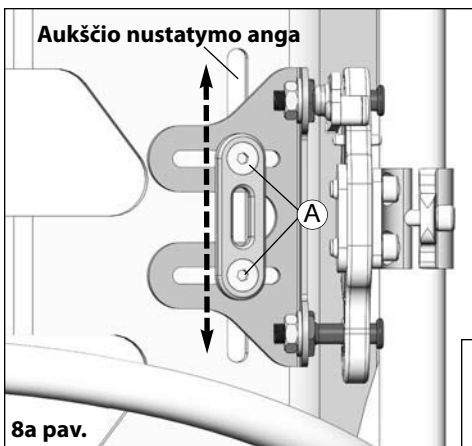


4.0 MX2 ATLOŠAS – NUIMAMOS ATRAMOS MONTAVIMAS

- 3 MX2 aukščio nustatymas** MX2 atlošo aukštį galima pagal poreikį sureguliuoti per MX2 atlošo rėmo kanalą su angomis (žr. **8a pav.**). Rekomenduojamas atlošo aukštis* yra maždaug **13–15 cm (5–6 col.)** nuo **sėdynės paviršiaus** viršaus (sėdynės pagalvėlės arba sėdynės užvalkalo; žr. **8b pav.**).
- 4** Vienu metu dirbdami vienoje pusėje atlaisvinkite montavimo laikiklio detalę (**A**) ir stumkite MX2 atlošo rėmą aukštyn / žemyn, kol pasieksite norimą atlošo aukštį. **PASTABA.** MX2 atlošo aukščio reguliavimas skiriasi priklausomai nuo MX2 atlošo rėmo aukščio (angos ilgio) – žr. **1.0 lentelę**:
- 5** Priveržkite montavimo laikiklio plokštelę / įrangą (**A**), kad MX2 atlošas būtų įtvirtintas reikiamoje padėtyje, užtikrinant, kad būtų išlaikytas tinkamas montavimo kaiščių plotis / padėtis (*pagal 7 pav.*). Pakartokite tokią pačią atlošo aukščio nustatymo procedūrą reguliuodami priešingą montavimo laikiklį.
- 6** Kai bus baigti visi pločio ir aukščio nustatymo darbai, tvirtai priveržkite **visą** įrangą.

**Pastaba. Rekomenduojamas MX2 atlošo aukštis pateikiamas tik kaip orientyras. Gali būti būtini nedideli skirtumai – žr. toliau pateiktą pastabą Svarbu!*

MX2 montavimas: atlošo aukščio nustatymas



i SVARBU!

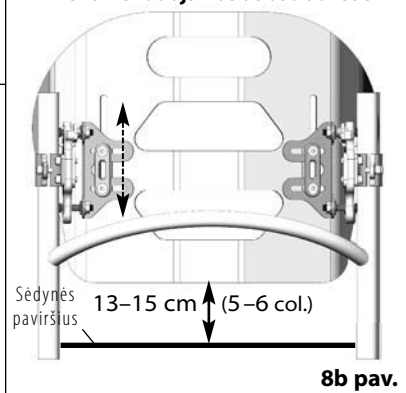
Visada įsitikinkite, kad atlošo apačia yra anatomiškai žemiau už užpakalinę viršutinę klubinės dalies stuburo srįtį (PSIS). Jei turite klausimų ar neaiškumų dėl tinkamo atlošo aukščio nustatymo, kreipkitės į savo tiekėją ir (arba) sveikatos priežiūros specialistą, kad jie suteiktų tinkamą konsultaciją.

1.0 lentelė.

MX2 aukščio (angos) nustatymas

Atlošo rėmo aukštis	Nustatymo intervalas
150 mm (6 col.)	13 mm (1/2 col.)
230 mm (9 col.)	51 mm (2 col.)
310 mm (12 col.)	51 mm (2 col.)
410 mm (16 col.)	89 mm (3,5 col.)

***Rekomenduojamas atlošo aukštis**



4.0 MX2 ATLOŠAS – NUIMAMOS ATRAMOS MONTAVIMAS

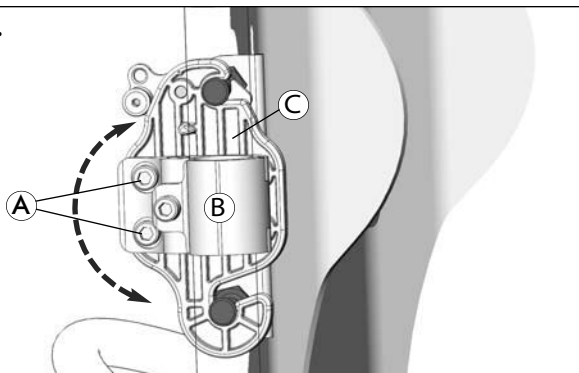
4.8 MX2 atlošas: kampo ir gylio reguliavimas

i SVARBU! Atminkite, kad MX2 atlošo **kampo ir gylio** reguliavimas taip pat atliekamas vienu metu. Šias dvi reguliavimo užduotis galėsite lengviau atlikti, jei pirmiausia atlaisvinsite reguliavimo įrangą ant abiejų spaustukų rinkinių. *(Pastaba. Atliekant standartinį montavimą, gylio ir kampo reguliavimą reikėtų simetriškai atlikti ant abiejų montavimo plokštelių).*

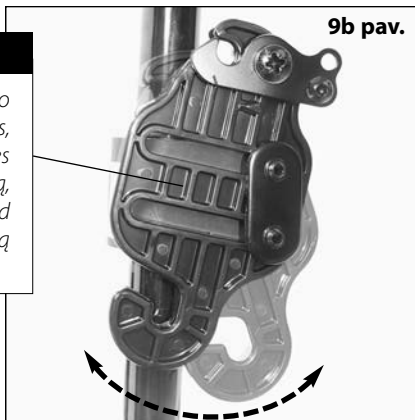
- 1 **MX2 kampo reguliavimas:** Jei reikia, MX2 atlošo kampą galima sureguliuoti naudojant du gylio / kampo reguliavimo varžtus (A) ant kiekvieno montavimo spaustukų rinkinio (B) (žr. 9a pav.).
- 2 Atlaisvinkite gylio / kampo reguliavimo varžtus (x 2) ant kiekvieno spaustukų rinkinio ir pasukite montavimo plokštelę (C) pirmyn arba atgal, kad nustatytumėte norimą atlošo kampą (**kampo reguliavimo intervalas** = $\pm 15^\circ$, žr. 9b pav.)

MX2 montavimas: atlošo kampo reguliavimas

9a pav.



9b pav.



Kampo reguliavimas ($\pm 15^\circ$)

! TURĖKITE OMENYJE

Išlietos vertikalios linijos ant montavimo plokštelių yra naudojamos kaip nuorodos, skirtos padėti sumontuoti plokšteles simetriškai. Reguluojant MX2 atlošo kampą, galima naudotis vertikaliosiomis linijomis, kad jos padėtų nustatyti tokį patį kampą abiejose montavimo plokštelėse.

4.0 MX2 ATLOŠAS – NUIMAMOS ATRAMOS MONTAVIMAS

- 3 **MX2 gylio reguliavimas:** MX2 bendras atlošo gylis yra valdomas reguliuojant dviem atskirais būdais:

MX2 strypo spaustuko orientavimas: (žr. taip pat 4.4 skyrių)

MX2 strypų spaustukus (B) galima montuoti arba standartinė orientacija (atgal), arba atvirkštinė orientacija (pirmyn) mažesniajam sėdynės gyliui (žr. 10 pav.).

Montuojant **galinėje padėtyje (1)**, atlošo gylis = - 44 mm (1,75 col.).

Montuojant **priekinėje padėtyje (2)**, atlošo gylis = + 57 mm (2,25 col.).

(*Pastaba: matavimai taikomi atlošo strypų atžvilgiu ir matuojami iki montavimo kaiščio padėties.*)

Didžiausias gylio reguliavimo priekyje ir gale diapazonas (nuo galinės padėties iki priekinės padėties) = 108 mm (4,25 col.)

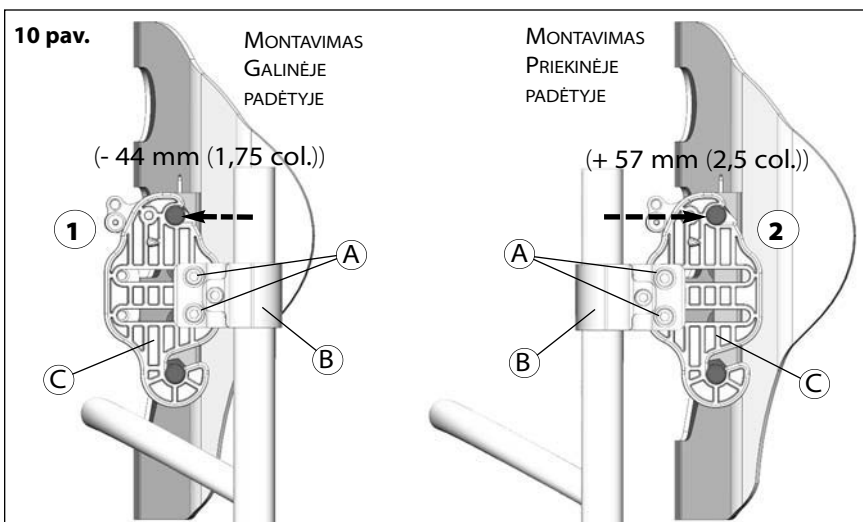
MX2 montavimo plokštelių gylio reguliavimas*:

MX2 montavimo plokštelių kanalų su angomis (C) gylio atžvilgiu galima reguliuoti iki 44 mm (1,75 col.) didžiausio reguliuojamo atstumo ribose (žr. 11 pav. (28 p.)).

***PASTABA.** Pakeitus MX2 atlošo kampą, galimas montavimo plokštelių gylio reguliavimo diapazonas sumažės.

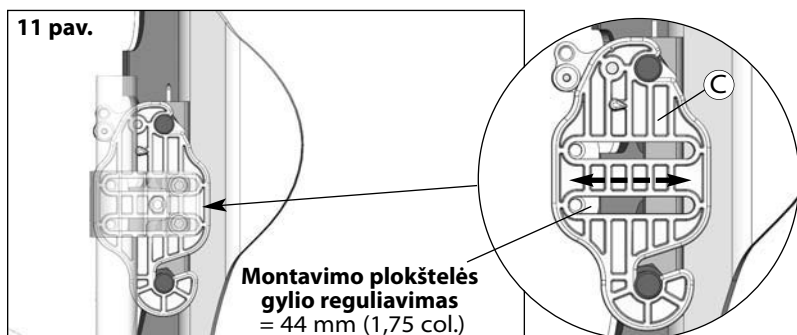
- 4 Norėdami sureguliuoti, atlaisvinkite du reguliavimo varžtus (A) kiekvienoje strypų spaustukų konstrukcijoje ir per reguliavimo angas pastumkite montavimo plokšteles (C) pirmyn arba atgal, kad nustatytumėte norimą atlošo kampo gylį.
- 5 Baigę visą pločio ir aukščio nustatymą, tvirtai priveržkite visas detales.

MX2 montavimas: atlošo gylio reguliavimas



4.0 MX2 ATLOŠAS – NUIMAMOS ATRAMOS MONTAVIMAS

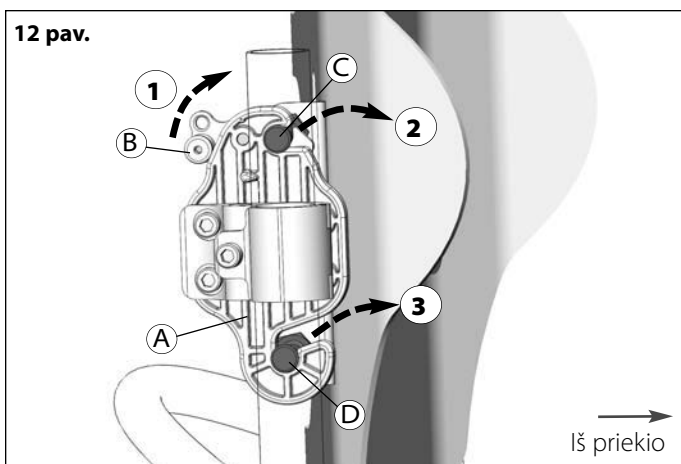
MX2 montavimas: atlošo gylio reguliavimas



4.9 MX2 atlošo nuėmimas nuo QR įrangos

- 1 Nuimkite / atjunkite MX2 atlošą nuo montavimo plokštelių (A) taip (žr. toliau 12 pav.):
 - i. Stovėdami už vežimėlio, **vienu metu** pakelkite fiksatoriaus atleidimo mechanizmą (B) abiem montavimo plokštelėms (1);
 - ii. Kai fiksatoriai atviri, pastumkite MX2 atlošo viršutinę dalį į priekį (2), kad ištrauktumėte viršutinius montavimo kaiščius (C) iš montavimo plokštelių (A).
 - iii. Kai viršutiniai kaiščiai ištraukti, pakelkite MX2 atlošą aukštyn ir į priekį (3), kad atlaisvintumėte apatinius montavimo kaiščius (D) iš montavimo plokštelių.

MX2 atlošo nuėmimas / ištraukimas



5.0 TECHNINĖ IR ĮPRASTA PRIEŽIŪRA

5.1 Priežiūra ir skalbimas:

i SVARBU! Visos naudojamos valymo priemonės ir dezinfekantai turi būti veiksmingi, suderinami vienas su kitu ir nekenkti valomoms medžiagoms.

! PERSPĖJIMAS! Pavojus sugadinti gaminį
NENAUDOKITE valymo priemonių, kurių sudėtyje yra baliklių, fenolių ar alkoholių.

Bendroji priežiūra ir valymas:

Dangalą galima nesunkiai nuvalyti drėgna šluoste, jei to reikia.

Skalbimo nurodymai (išorinis dangalas):

1. Atsargiai nuimkite užvalkalą, atsegdami „Velcro“ kilpas ir kabliukus palei rėmo kraštus iš viršaus, apačios ir iš nugaros atlošo rėmo vidaus.

PASTABA. Prieš plaunant reikia išimti užvalkalo vidinę putplasčio pagalvėlę.

2. Skalbkite skalbyklėje 60 °C temperatūroje, įjungę švelniems audiniams skirtą ciklą (žr. etiketėje pateiktas instrukcijas).

i SVARBU! Skalbant aukštesnės nei rekomenduojama temperatūros vandenyje medžiaga gali susitraukti

3. Padžiaukite dangalą džiuoti švarioje vidaus aplinkoje;

arba

Džiovinkite džiovyklėje nustatę nedidelį kaitinimą.

i SVARBU!

- Džiovinant džiovyklėje nustatyta temperatūra negali viršyti 40 °C
- Nedžiovinkite džiovyklėje ilgiau nei 10 minučių
- Prieš vėl įvilkdami putplastį kruopščiai išdžiovinkite dangalą
- Nelyginti
- Nenaudoti sauso valymo

5.2 Techninė priežiūra ir apžiūra:

Kas mėnesį. Apžiūrėkite dalis, įskaitant metalines ir plastikines dalis, rėmus, audinius, putplasčius bei plastikines dalis, įsitikinkite, kad nėra deformacijos, korozijos, lūžimo, susidėvėjimo arba susispaudimo požymių.

! ĮSPĖJIMAS! Pavojus susižaloti arba sugadinti

Patikrinkite VISUS tvirtinimus kas savaitę ir įsitikinkite, kad mechaninės jungtys ir įranga pritvirtinta stipriai.

NEBENAUDOKITE šio gaminio, jei aptikote problemų. Reikia imtis koregavimo veiksmų arba susitarti dėl jų su įrangos tiekėju.

6.0 MX2 PASIRINKTYS

6.1 Nugaros atramos (pasirinktinės) montavimas / reguliavimas

! TURĖKITE OMENYJE

Nugaros atrama yra jau paruoštas putplasčio intarpas, kuris suteikia nugaros apačiai daugiau patogumo. Nugaros intarpo padėtį galima pakoreguoti „Invacare® Matrix® MX2“ užvalkale (žr. toliau pateiktas instrukcijas); jei nugaros atramos nereikia, ją galima nuimti.

1. Norėdami priėti prie nugaros atramos, atkabinkite kabliukus ir kilputes ant išorinio apvalkalo A atlošo galinėje apatinėje dalyje.
2. Putplasčio nugaros atrama B yra dedama į „Invacare® Matrix® MX2“ užvalkalą tarp putplasčio nugaros pagalvėlės C ir atlošo rėmo D.
3. Nugaros atramą galima nustatyti į bet kokią norimą padėtį ir aukštį.
4. Atsekite užvalkalo kilpas ir kabliukus, kuriais jis yra užsegtas galinėje dalyje.

Nugaros prilaikymas



***PASTABA.** Nugaros atramos putplastį galima pjaustyti / modifikuoti taip, kaip reikia, kad jis atitiktų galutinio naudotojo poreikius.



6.0 MX2 PASIRINKTYS

6.2 Privatumo atvartas (pasirinktinis, parduodamas atskirai)

Privatumo atvartus (parduodamus atskirai) galima naudoti su visais standartinio dydžio MX2 atlošais. Visi standartinio dydžio atlošai pateikiami su jau iš anksto prisiūta kilpine juostele palei pagalvėlės užvalkalo galinį kraštą apačioje, kad būtų galima prie jos pritvirtinti privatumo atvartą.

Reikalingą privatumo atvarto dydį MX2 atlošui žr. lentelėje.

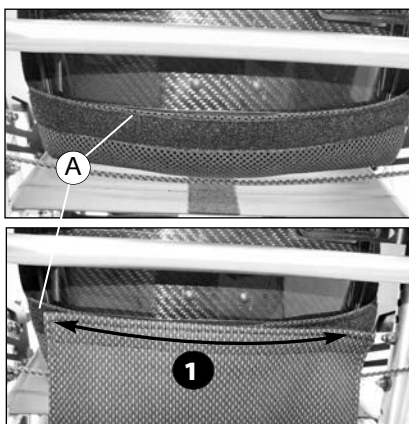
PLOTIS	PRIVATUMO ATVARTAS
36 cm (14 col.)	PFLAP-XS 26 cm x 41 cm (10 col. x 16 col.)
38 cm (15 col.)	PFLAP-S
41 cm (16 col.)	33 cm x 41 cm (13 col. x 16 col.)
43 cm (17 col.)	PFLAP-M
46 cm (18 col.)	38 cm x 41 cm (15 col. x 16 col.)



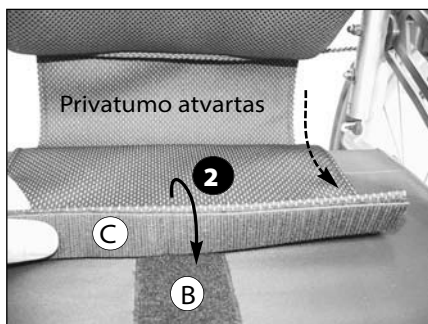
Montavimo nurodymai:

1. Nuimkite vežimėlio sėdynės pagalvėlę (jei uždėta).
2. Patikrinkite, ar atlošas nustatytas į norimą aukštį. (Žr. **4.0 skyrių, 8 pav.**)
3. Stovėdami už vežimėlio (ir atsisukę į jo priekį), sulygiuokite /pritvirtinkite privatumo atvarto juostelę su lipuku prie kilpinės juostelės, prisiūtos prie MX2 atlošo užvalkalo galinės dalies apačios (**A**). (žr. toliau **1** veiksmą).
4. Kitą privatumo atvarto kraštą (nepritvirtintą) prakiškite per tarpą tarp atlošo ir vežimėlio sėdynės.
5. Pritvirtinkite privatumo atvarto kilpinę juostelę prie jau esančios vežimėlio diržinės ar plokščios sėdynės „Velcro“ juostelės* (**B**). (žr. toliau **2** veiksmą).

***PASTABA.** Jei vežimėlio sėdynėje įrengta atitinkama kilpinė juostelė, pritvirtinkite privatumo atvartą pateikiama dviguba kabliukų juoste (C).



VAIZDAS IŠ GALO



VAIZDAS IŠ PRIEKIO

matrix[®]
SEATING SERIES



Matrix Oparcie MX2

do **MONTAŻU STAŁEGO** oraz
RUCHOMEGO

MONTAŻ/USTAWIENIE

i WAŻNE! Montaż według wskazówek zawartych w tej instrukcji powinien być przeprowadzony wyłącznie przez wykwalifikowanego technika.

DYSTRYBUTOR: niniejsza instrukcja **MUSI** zostać przekazana użytkownikowi wózka inwalidzkiego.

UŻYTKOWNIK: przed rozpoczęciem korzystania z produktu należy przeczytać niniejszą instrukcję i zachować do wykorzystania w przyszłości.



TRD0439 wer. B

GWARANCJA

WAŻNA UWAGA: PONIŻSZA GWARANCJA ZOSTAŁA ZAPISANA, ABY ZAPEWNIĆ ZGODNOŚĆ Z PRAWEM FEDERALNYM DOTYCZĄCYM PRODUKTÓW WYPRODUKOWANYCH PO 4 LIPCA 1975 R. Gwarancja obejmuje jedynie pierwotnego nabywcę/użytkownika naszych produktów. Gwarancja zapewnia określone prawa i może także zapewniać inne prawa, które mogą się różnić w zależności od stanu. Invacare/Motion Concepts daje gwarancję na materiały i jakość wykonania tego produktu na okres dwóch lat od nabycia przez pierwotnego nabywcę. Gwarancja ta nie dotyczy przebiegi, rozdarć ani wypalonych dziur, jak również zdejmowalnej poszewki na poduszkę. Jeżeli podczas takiego okresu gwarancji jakikolwiek produkt okaże się wadliwy, taki produkt zostanie wedle uznania firmy Invacare/Motion Concepts naprawiony lub wymieniony przy użyciu regenerowanych lub nowych części. Gwarancja nie obejmuje normalnych kosztów pracy ani wysiłki poniesionych w związku z montażem części zamiennych lub naprawą produktu. Naprawy produktu nie powodują przedłużenia niniejszej gwarancji — ochrona naprawianego produktu zakończy się wraz z wygaśnięciem ograniczonej gwarancji. Jedyny obowiązek firmy Invacare/Motion Concepts i wyłączne zadośćuczynienie w ramach niniejszej gwarancji będzie ograniczone do takiej naprawy i/lub wymiany. W sprawie serwisu gwarancyjnego prosimy skontaktować się z dystrybutorem, od którego nabyto produkt firmy Invacare/Motion Concepts. W przypadku nieotrzymania satysfakcjonującego serwisu gwarancyjnego prosimy napisać bezpośrednio do firmy Invacare/Motion Concepts na adres podany na tylnej pokrywie. Należy podać nazwę i adres dystrybutora, numer modelu, datę kupna oraz określić rodzaj wady i, w przypadku produktów seryjnych, numer seryjny. Firma Invacare Corporation/Motion Concepts wyda autoryzację zwrotu. Wadliwa jednostka lub części muszą być zwrócone do przeglądu gwarancyjnego z uwzględnieniem numeru seryjnego — jeśli dotyczy — w ciągu trzydziestu (30) dni od daty wydania autoryzacji. NIE WOLNO zwracać produktów do naszej fabryki bez wcześniejszego uzyskania zgody. Przesyłki za pobraniem będą odrzucane. Koszty wysyłki należy opłacić z góry.

OGRANICZENIA I WYŁĄCZENIA: GWARANCJA NIE DOTYCZY PROBLEMÓW WYNIŁYCH Z NORMALNEGO ZUŻYCIA LUB NIESTOSOWANIA SIĘ DO ZAŁĄCZONYCH WSKAZÓWEK. CO WIĘCEJ, POWYŻSZA GWARANCJA NIE DOTYCZY PRODUKTÓW O NUMERZE SERYJNYM, JEŻELI NUMER SERYJNY ZOSTAŁ USUNIĘTY LUB ZNISZCZONY; PRODUKTÓW, KTÓRE BYŁY PRZEDMIOTEM ZANIEDBANIA, WYPADKU, NIEPRAWIDŁOWEJ OBSŁUGI, KONSERWACJI CZY PRZECHOWYWANIA ANI PRODUKTÓW ZMODYFIKOWANYCH BEZ WYRAŻNEJ PISEMNEJ ZGODY FIRMY INVACARE/MOTION CONCEPTS, W TYM M.I.N.: MODYFIKACJI PRZY POMOCY NIEAUTORYZOWANYCH CZĘŚCI LUB DODATKÓW, PRODUKTÓW USZKODZONYCH Z POWODU NAPRAW PRZEPROWADZONYCH NA KTOREJKOLWIEK Z ELEMENTÓW BEZ STOSOWNEJ ZGODY FIRMY INVACARE/MOTION CONCEPTS, PRODUKTÓW USZKODZONYCH W OKOLICZNOŚCIACH POZA KONTROLĄ FIRMY INVACARE/MOTION CONCEPTS, PRODUKTÓW NAPRAWIANYCH PRZEZ KOGOKOLWIEK INNEGO NIŻ DYSTRYBUTORA FIRMY INVACARE/MOTION CONCEPTS; TAKIEJ OCENY DOKONUJE WYŁĄCZNIE FIRMA INVACARE/MOTION CONCEPTS.

POWYŻSZA GWARANCJA JEST WYŁĄCZNA I ZASTĘPUJE WSZELKIE INNE WYRAŻONE GWARANCJE, JEŻELI TAKIE ISTNIEJĄ, W TYM RÓWNIEŻ DOROZUMIANE GWARANCJE DOTYCZĄCE PRZYDATNOŚCI DO SPRZEDAŻY LUB OKREŚLONEGO ZASTOSOWANIA. JEJ OKRES TRWANIA NIE PRZEKROCY OKRESU PODANEJ TU WYRAŻONEJ GWARANCJI I ZADOŚĆUCZYNIENIE ZA NARUSZENIA JAKIEJKOLWIEK DOROZUMIANEJ GWARANCJI BĘDZIE OGRANICZONE DO NAPRAWY LUB WYMIANY WADLIWEGO PRODUKTU ZGODNIE Z ZAWARTYMI TU WARUNKAMI. FIRMA INVACARE/MOTION CONCEPTS NIE ODPOWIADA ZA ŻADNE SZKODY WYNIKOWE ANI PRZYPADKOWE. NINIEJSZA GWARANCJA MOŻE BYĆ PRZEDŁUŻONA, ABY ZAPEWNIĆ ZGODNOŚĆ Z PRAWEM STANU/PROWINCJI.

Niniejsza instrukcja nie może być powielana ani przedrukowywana w całości ani w części bez uprzedniej pisemnej zgody firmy Motion Concepts lub jej ustawowych przedstawicieli.


Niniejszą instrukcję obsługi przygotowano w oparciu o najnowsze szczegóły techniczne i informacje o produkcie dostępne w momencie publikacji. Zachowujemy sobie prawo do dokonania koniecznych zmian. Wszelkie zmiany w naszych produktach mogą być przyczyną drobnych różnic pomiędzy ilustracjami i objaśnieniami w niniejszej instrukcji a zakupionym produktem. W razie jakichkolwiek pytań lub wątpliwości dotyczących informacji zawartych w niniejszej instrukcji należy skontaktować się z działem obsługi klienta w celu uzyskania pomocy.


Spis treści


- 1.0 Ogólne ostrzeżenia
- 2.0 Informacje dotyczące bezpieczeństwa
- 3.0 Instalacja/ustawienie oparcia MX2 — **montaż stały**
- 4.0 Instalacja/ustawienie oparcia MX2 — **montaż ruchomy**
- 5.0 Zalecenia dot. pielęgnacji i konserwacji
- 6.0 Elementy opcjonalne oparcia MX2


ZNAKI BEZPIECZEŃSTWA:

Prawidłowe ustawienie i bezpieczne użytkowanie oparcia Invacare Matrix MX2 zależy od rozważy i zdrowego rozsądku użytkownika, jak również dystrybutora, opiekuna i/lub lekarza. W niniejszej instrukcji obsługi używane są poniższe symbole do sygnalizowania ostrzeżeń, przestróg i ważnych informacji. Bardzo ważne jest, aby je w pełni przeczytać i zrozumieć.

 **PRZESTROGA!** Niezastosowanie się do przestróg w niniejszej instrukcji może skutkować uszkodzeniami oparcia Matrix użytkownika.

 **OSTRZEŻENIE!** Niezastosowanie się do ostrzeżeń w niniejszej instrukcji może skutkować obrażeniami ciała.

 **WAŻNE!** Ważne informacje, o których należy pamiętać podczas montażu i konfiguracji oparcia Matrix użytkownika.

 **WAŻNE!** Dodatkowe informacje dotyczące bezpieczeństwa, ostrzeżenia i przestrogi związane z obsługą wózka inwalidzkiego zawiera instrukcja dla posiadaczy/operatorów wózka inwalidzkiego.

1.0 OGÓLNE OSTRZEŻENIA/INFORMACJE

1.1 Informacje ogólne

▲ OSTRZEŻENIE DLA UŻYTKOWNIKA!

NIE NALEŻY UŻYWAĆ PRODUKTU ANI ŻADNEGO DOSTĘPNEGO SPRZĘTU DODATKOWEGO BEZ UPRZEDNIEGO PRZECZYTANIA W CAŁOŚCI I ZROZUMIENIA NINIEJSZEJ INSTRUKCJI ORAZ WSZYSTKICH DODATKOWYCH MATERIAŁÓW INSTRUKTAŻOWYCH, TAKICH JAK INSTRUKCJE OBSŁUGI, PODRĘCZNIKI SERWISOWE LUB ARKUSZE INFORMACYJNE DOŁĄCZONE DO PRODUKTU LUB SPRZĘTU DODATKOWEGO. W PRZYPADKU NIEJASNOŚCI OSTRZEŻEŃ, PRZESTRÓG LUB INSTRUKCJI PRZED UŻYCIEM SPRZĘTU NALEŻY SKONTAKTOWAĆ SIĘ Z LEKARZEM, DYSTRYBUTOREM LUB PRACOWNIKIEM OBSŁUGI TECHNICZNEJ. W PRZECIWNYM WYPADKU ISTNIEJE RYZYKO OBRAŻEŃ CIAŁA LUB USZKODZENIA PRODUKTU.

❗ WAŻNE INFORMACJE

Najlepszą metodą zapobiegania problemom związanym z odleżynami jest zrozumienie ich przyczyn i roli użytkownika w programie opieki nad skórą. W przypadku pytań dotyczących indywidualnych ograniczeń i potrzeb należy skonsultować się z terapeutą i lekarzem.

Należy ostrożnie wybierać wszelkie poszewki na oparcie. Najlepszym sposobem zapewnienia, że poduszka spełnia indywidualne potrzeby użytkownika, jest współpraca z terapeutą i lekarzem. Znaczenie oceny rośnie wraz ze złożonością potrzeb danej osoby.

Oparcia Matr[®] MX2 firmy Invacare[®]

Oparcie Matr[®] MX2 firmy Invacare[®] wyprofilowano w celu zapewnienia optymalnego podparcia dzięki precyzyjnej orientacji na wózku inwalidzkim. Pianka jest nadwymiarowa, aby zapewniać dodatkowy komfort i ochronę.

Oparcie Matr[®] MX2 firmy Invacare[®] zawiera przenośną podpórkę łędźwiową z pianki, którą można zamontować/wożyć za dotychczasową poduszkę z pianki, aby zapewnić większe możliwości ustawiania. Patrz **część 6.0 — „Wsparcie kręgosłupa łędźwiowego”**.

Zewnętrzna osłonę wykonano z oddychającej tkaniny siatkowej oraz imitacji skóry dla zwiększonej trwałości. Zaleca się regularne czyszczenie i przegląd zewnętrznej osłony. Patrz **część 5.0 — „Pielęgnacja i konserwacja”**.

1.2 Części podlegające zużyciu

❗ WAŻNE! Części i elementy podlegające zwykłemu zużyciu to m.in.: wszystkie obicia, w tym obicie oparcia i poduszki.

Firma Invacare zastrzega sobie prawo do zażądania zwrotu dowolnego elementu, jeśli wystąpiło podejrzenie, że został on wykonany wadliwie. Szczegółowe informacje na temat gwarancji zawiera część **„Polityka gwarancyjna”** (ostatnia strona).

Harmonogram konserwacji zapobiegawczej oraz opis prawidłowego sposobu użytkowania produktu zawiera instrukcji obsługi. Informacja ta ma charakter ogólny i nie dotyczy przedmiotów uszkodzonych w wyniku ich nadmiernej lub nieprawidłowej eksploatacji. Na długość okresu eksploatacji wpływa wiele czynników.

1.3 Przeznaczenie

Oparcia Matr[®] MX2 firmy Invacare[®] zaprojektowano w celu zapewnienia optymalnego podparcia dzięki precyzyjnemu ułożeniu na wózku inwalidzkim.

2.0 INFORMACJE DOTYCZĄCE BEZPIECZEŃSTWA

2.1 Ostrzeżenia dotyczące przewozu!

▲ OSTRZEŻENIE!

Istnieje ryzyko ciężkich obrażeń ciała podczas przewożenia pacjenta na wózku inwalidzkim z zamontowanym oparciem Matrix® MX2 firmy Invacare® w pojeździe silnikowym.

- O ile jest to wykonalne, firma Invacare zaleca przenoszenie pacjenta z wózka inwalidzkiego na siedzenie pojazdu i zabezpieczanie go biodrowym i przekątnym pasem bezpieczeństwa.
- Oparcia Matrix® MX2 firmy Invacare® można stosować wyłącznie w wózkach inwalidzkich spełniających wymagania dotyczące działania zawarte w normie RESNA WC19 lub ISO 7176-19.
- Informacje na temat bezpiecznego przewożenia pacjenta na wózku inwalidzkim w pojeździe silnikowym można znaleźć w instrukcjach obsługi wózka inwalidzkiego oraz elementów do mocowania i systemów zabezpieczających osobę na wózku (ang. wheelchair tie-down and occupant restraint system, WTORS).

2.2 Ogólne informacje dotyczące bezpieczeństwa

▲ OSTRZEŻENIE! Ryzyko zgonu, poważnych obrażeń ciała lub uszkodzenia urządzenia

Nieprawidłowe użytkowanie tego produktu może doprowadzić do obrażeń ciała lub uszkodzenia produktu. W przypadku niezrozumienia ostrzeżeń, przestróg lub instrukcji przed użyciem produktu należy skontaktować się z lekarzem lub dystrybutorem. NIE NALEŻY używać produktu ani żadnego dostępnego sprzętu opcjonalnego bez uprzedniego przeczytania w całości i zrozumienia niniejszej instrukcji oraz wszystkich dodatkowych materiałów instruktażowych, takich jak instrukcja obsługi, podręczniki serwisowe lub arkusze informacyjne dołączone do produktu lub sprzętu opcjonalnego.

▲ OSTRZEŻENIE! Ryzyko zgonu, poważnych obrażeń ciała lub uszkodzenia urządzenia

Zapalone papierosy upuszczone na system siedziska z tapicerką mogą wywołać pożar powodujący zgon, poważne obrażenia ciała lub uszkodzenie produktu. Osoby na wózku inwalidzkim są szczególnie narażone na ryzyko zgonu lub poważnych obrażeń ciała spowodowanych przez te pożary i powstające dymy, ponieważ nie mają możliwości ucieczki z wózka inwalidzkiego.

- NIE NALEŻY palić tytoniu podczas używania wózka inwalidzkiego

▲ OSTRZEŻENIE! Ryzyko obrażeń ciała

Produkty Matrix® firmy Invacare® zostały zaprojektowane i wyprodukowane w celu użytkowania w połączeniu z akcesoriami Matrix® firmy Invacare®. Akcesoria innych producentów nie zostały przetestowane przez firmę Invacare, a ich użycie z produktami Matrix® firmy Invacare® nie jest zalecane.

▲ OSTRZEŻENIE Ryzyko obrażeń ciała

Po instalacji każdego nowego systemu siedziska należy często sprawdzać stan skóry. W przypadku pytań dotyczących indywidualnych ograniczeń i potrzeb należy skonsultować się z terapeutą i lekarzem. Znaczenie oceny rośnie wraz ze złożonością potrzeb danej osoby.

2.0 INFORMACJE DOTYCZĄCE BEZPIECZEŃSTWA

2.3 Ostrzeżenia dotyczące instalacji

▲ OSTRZEŻENIE! Ryzyko poważnych obrażeń ciała

Podczas ustalania pozycji montażowej oparcia Matr^x® MX2 firmy Invacare® należy upewnić się, że stabilność wózka inwalidzkiego nie jest zagrożona. Dostosowanie przedniej i tylnej pozycji oparcia zmieni środek ciężkości użytkownika na wózku inwalidzkim. Ustawienie oparcia w pozycji rozłożonej może znacząco obniżyć stabilność wózka inwalidzkiego i narazić na upadek do tyłu. Podobnie ustawienie oparcia w pozycji pochylonej w przód może obniżyć stabilność wózka inwalidzkiego i narazić na upadek do przodu.

▲ OSTRZEŻENIE! Ryzyko poważnych obrażeń ciała lub uszkodzenia urządzenia

- Procedury opisane w niniejszej instrukcji powinny być przeprowadzane przez wykwalifikowanego technika
- Poluzowanie elementów mocujących może być przyczyną utraty stabilności i w konsekwencji spowodować poważne obrażenia ciała lub uszkodzenie urządzenia.
- Przed użyciem urządzenia, które było serwisowane, naprawiane lub w którym regulowano JAKIEKOLWIEK funkcje, należy upewnić się, że wszystkie elementy mocujące są mocno dokręcone.
- NIE NALEŻY instalować zespołu oparcia Matr^x® MX2 firmy Invacare® na tulejach oparcia o średnicy zewnętrznej większej niż 25 mm (1 cal) ani mniejszej niż 19 mm (3/4 cala). W przeciwnym razie istnieje ryzyko obrażeń ciała lub uszkodzenia urządzenia.
- Oparcie Matr^x® MX2 firmy Invacare® nie jest przeznaczone do stosowania z zasilaną funkcją regulacji siedziska.
- Pozycja montażowa oparcia Matr^x® MX2 firmy Invacare® jest bezpośrednio związana ze stabilnością wózka inwalidzkiego. Przed użyciem może być konieczne dostosowanie pozycji przednich kółek samonastawnych, tylnych kół, kąta nachylenia oparcia, przestrzeni wychylenia, pozycji odchylenia i/lub głębokości siedziska.
- Przed użyciem należy upewnić się, że oparcie Matr^x® MX2 firmy Invacare® jest prawidłowo przymocowane do wózka inwalidzkiego. W przeciwnym razie istnieje ryzyko obrażeń ciała lub uszkodzenia urządzenia.

▲ OSTRZEŻENIE! Ryzyko poważnych obrażeń ciała lub uszkodzenia urządzenia

Dostarczone elementy montażowe są wysoce wytrzymałe i zostały przetestowane pod kątem trwałości. **NIE NALEŻY stosować innego sprzętu.** Należy stosować wyłącznie dostarczony oryginalny sprzęt Matr^x MX2.

2.4 Rozmiary/obciążenia oparcia:

SKONFIGUROWANY MODEL	OPIS	GŁĘBOKOŚĆ KONTURU	OBCIĄŻENIE
IMX2wwhh	Oparcie Matr ^x MX2	76 mm (3 cale)	113 kg (250 funtów)

* ww hh = szerokość/wysokość

Dostępne rozmiary: Szerokość: 355–460 mm (14–18 cali);
Wysokość: 150 mm (6 cali), 230 mm (9 cali), 310 mm (12 cali),
410 mm (16 cali)

W celu doboru odpowiedniego modelu/rozmiaru oparcia zgodnie z indywidualnymi potrzebami należy skontaktować się z dystrybutorem lub terapeutą. Więcej informacji dotyczących wszelkich oparć Matr^x, w tym wszystkie dostępne modele/rozmiary, można znaleźć na stronach internetowych www.motionconcepts.com oraz www.invacare.com.

3.0 OPARCIE MX2 — MONTAŻ STAŁY

3.1 Zestaw elementów do montażu stałego

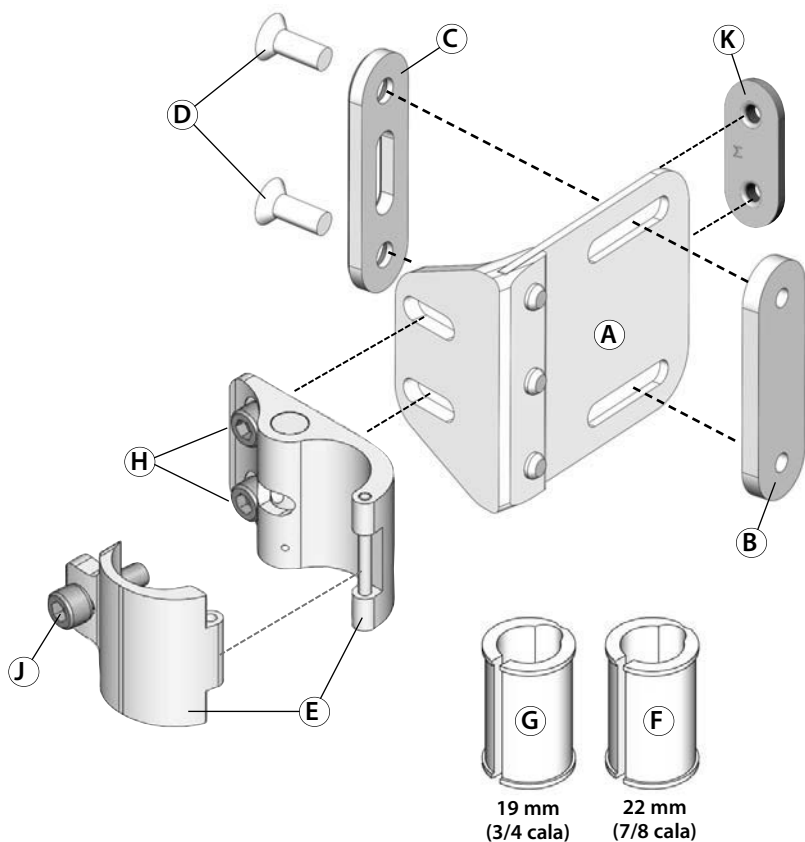
i) Zespół wspornika montażowego (do zamontowania na stelażu oparcia MX2):

- | | |
|--|--|
| 2 — Wsporniki do montażu stałego (A) | 2 — Płytki podkładowe do montażu stałego (C) |
| 2 — Płytki nakrętkowe do montażu stałego (B) | 4 — Śruby wspornika do montażu stałego (D) |

ii) Zespół zacisku tulei (do zamontowania na tulejach oparcia wózka inwalidzkiego):

- | | |
|---|--|
| 2 — Zacisk tulei (E) | 4 — Śruby do regulacji głębokości/nachylenia (H) |
| 2 — Wkładki do tulei 22 mm (7/8 cala) (F) | 2 — Śruby zacisku tulei (J) |
| 2 — Wkładki do tulei 19 mm (3/4 cala) (G) | 2 — Płytki nakrętkowe zacisku tulei (K) |

(Prawidłowy sposób montażu sprzętu)



3.0 OPARCIE MX2 — MONTAŻ STAŁY

3.2 Wymagane narzędzia

Klucz imbusowy (4 mm/5 mm) (dostarczony)

Taśma miernicza/linijka

! WAŻNA UWAGA

W przypadku braku któregośkolwiek z elementów montażowych lub jego nieprawidłowego położenia należy skontaktować się z lokalnym przedstawicielem firmy Invacare/Motion Concepts w celu uzyskania potrzebnych części zamiennych.

3.3 Instalacja wspornika oparcia MX2 do montażu stałego:

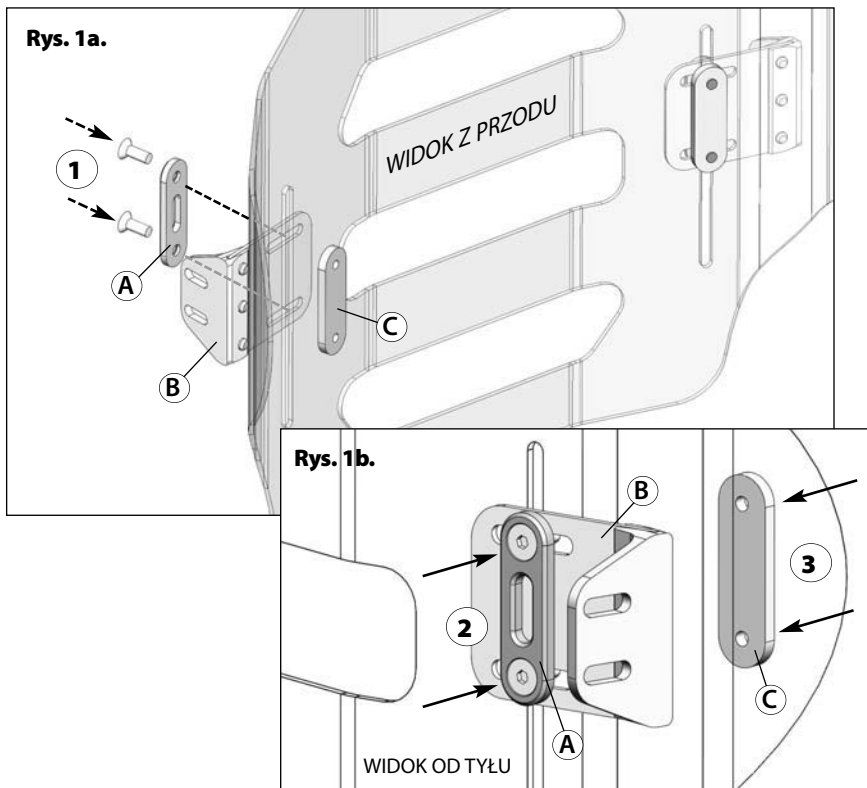
i UWAGA: przed zamontowaniem wsporników do montażu stałego

Należy ostrożnie odsunąć lub poluzować pokrycie oparcia MX2 poprzez zwolnienie zapięć rzepowych Velcro wzdłuż dolnej krawędzi oraz wewnątrz stelaża oparcia.

- 1 Poczynając od jednej strony stelaża oparcia, należy przymocować wspornik do montażu stałego do stelaża oparcia Matrix® MX2 firmy®, wykonując następujące czynności:
 - Ułożyć płytkę podkładową (A) tak, aby pasowała do otworów we wsporniku montażowym (B), a następnie przeprowadzić śruby przez oba te elementy (1); patrz rys. 1a.
 - Od tyłu stelaża oparcia należy przeprowadzić 2 wystające śruby od wspornika montażowego przez pionową szczelinę w stelażu oparcia MX2 (2); patrz rys. 1b.
 - Aby przymocować wspornik montażowy do stelaża oparcia MX2, należy przeprowadzić śruby przez płytkę nakrętkową (C) od przodu (wewnątrz) stelaża oparcia (3); patrz rys. 1b.
- 2 Zamontować pozostały wspornik do montażu stałego po przeciwnej stronie stelaża oparcia (patrz punkt 1 powyżej).

3.0 OPARCIE MX2 — MONTAŻ STAŁY

Instalacja wspornika do montażu stałego



3.4 Przygotowanie do montażu: orientacja zacisku tulei oparcia MX2:

i WAŻNE! Przed zamontowaniem zacisków tulei oparcia MX2 należy najpierw ustawić zaciski w odpowiedniej pozycji.

Aby uzyskać konfigurację standardową, zaciski tulei (A) powinny być zamontowane i przykręcone do tulei oparcia w orientacji *maksymalnie przesuniętej do tyłu*. Taka konfiguracja umożliwia uzyskanie maksymalnej głębokości siedziska na wózku inwalidzkim — patrz rys. 2a.

Aby uzyskać konfigurację odwróconą*, zaciski tulei (A) powinny być obrócone o 180° na tulejach oparcia. Taka konfiguracja minimalizuje głębokość siedziska, a oparcie MX2 znajduje się w pozycji bardziej *pochylonej w przód*, jeśli jest taka konieczność — patrz rys. 2b.

Zaciski tulei (A) umożliwiają regulację w zakresie 38 mm (1,5 cala) w płaszczyźnie przód/tył (względem tulei oparcia) w zależności od wybranej konfiguracji mocowania.

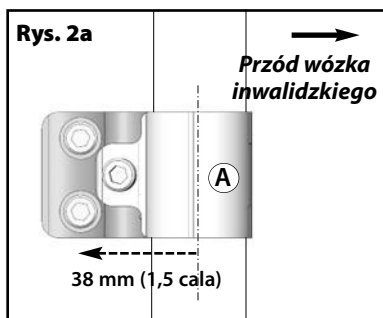
3.0 OPARCIE MX2 — MONTAŻ STAŁY

3.4 Przygotowanie do montażu: orientacja zacisku tulei oparcia MX2: *(ciąg dalszy)*

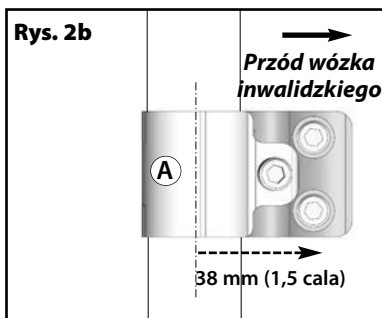
⚠ OSTRZEŻENIE! Ryzyko poważnych obrażeń ciała

Podczas ustalania ostatecznej pozycji montażowej oparcia Matrix® MX2 firmy Invacare® należy upewnić się, że stabilność wózka inwalidzkiego nie jest zagrożona. Dostosowanie przedniej i tylnej pozycji oparcia zmieni środek ciężkości użytkownika na wózku inwalidzkim. Ustawienie oparcia w pozycji rozłożonej może znacząco obniżyć stabilność wózka inwalidzkiego i narazić na upadek do tyłu. Podobnie ustawienie oparcia w pozycji pochylonej w przód może obniżyć stabilność wózka inwalidzkiego i narazić na upadek do przodu.

Orientacja zacisku tulei oparcia MX2



**Standardowa konfiguracja
zacisku tulei
(maksymalna głębokość siedziska)**



**Odwrotna konfiguracja
zacisku tulei
(minimalna głębokość siedziska)**

3.5 Montaż zacisku tulei oparcia MX2:

Zaciski tulei oparcia MX2 są zaprojektowane tak, aby można je było zamontować na tulei o średnicy 25 mm (1 cal), 22 mm (7/8 cala) lub 19 mm (3/4 cala). *(Plastikowe wkładki (A) dołączone do zestawu umożliwiają montaż na tulei oparcia o mniejszej średnicy*).*

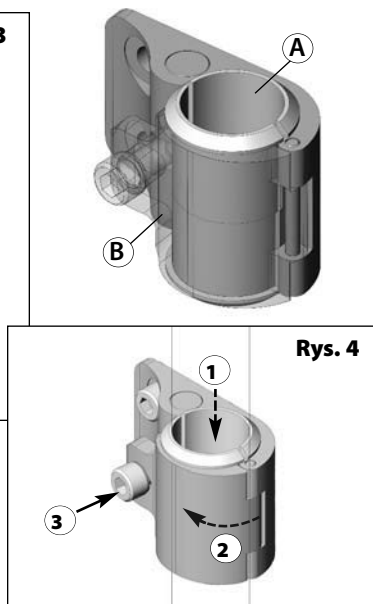
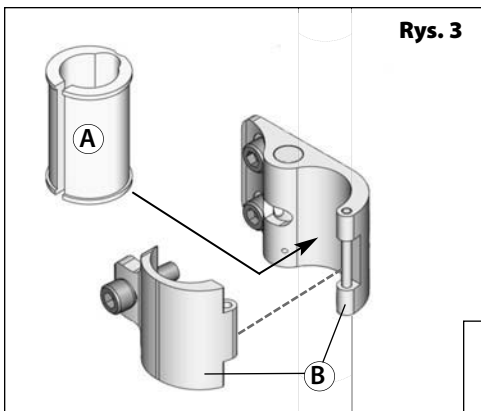
- 1 Zdjąć dotychczasowe oparcie wózka inwalidzkiego (jeśli dotyczy).
- 2 Luźno zamontować zespół zacisku tulei (B) na każdej z tulei oparcia w żądanej orientacji — zgodnie ze schematami montażu (patrz rys. 3 i rys. 4).

*Możliwość montażu na tulejach o innej średnicy:

- Tuleje o średnicy 25 mm (1 cal) — plastikowe wkładki nie są wymagane
- Tuleje o średnicy 22 mm (7/8 cala) — należy założyć 2 plastikowe wkładki o średnicy 22 mm (7/8 cala)
- Tuleje o średnicy 19 mm (3/4 cala) — należy założyć 2 plastikowe wkładki o średnicy 19 mm (3/4 cala)

3.0 OPARCIE MX2 — MONTAŻ STAŁY

Montaż zacisku tulei oparcia MX2



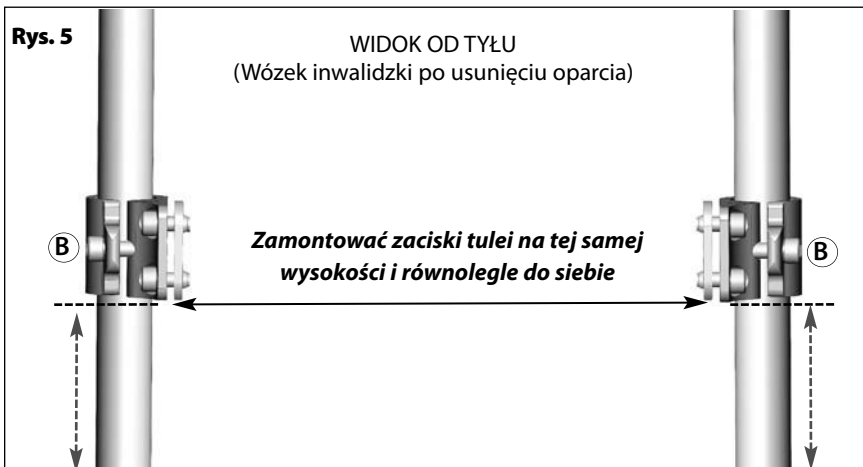
POMOCNA WSKAZÓWKA

Aby uzyskać bezpieczne, nieślizgające się połączenie elementów, należy spryskać tuleje oparcia i wnętrze plastikowych wkładek małą ilością lakieru do włosów.

- 3 Poczawszy od jednej ze stron, należy przesunąć/dopasować zacisk tulei (B) tak, by odpowiadał on żądanej wysokości/pozycji wzdłuż tulei oparcia, a następnie przykręcić.

Uwaga: docelową wysokość oparcia można później zmienić/precyzyjnie dopasować po zamontowaniu stelaża oparcia MX2 na zaciskach tulei (patrz rys. 5).

Regulacja wysokości zacisku tulei oparcia MX2



3.0 OPARCIE MX2 — MONTAŻ STAŁY

3.5 Montaż zacisku tulei oparcia MX2: *(ciąg dalszy)*

- Należy zmierzyć wysokość pierwszego zacisku tulei (B) względem jednego, stałego elementu wózka inwalidzkiego (np. stelaża siedziska/belki usztywniającej) i przymocować drugi zacisk tulei (B) na tej samej wysokości na tylnej tulei po przeciwnej stronie (patrz rys. 5).

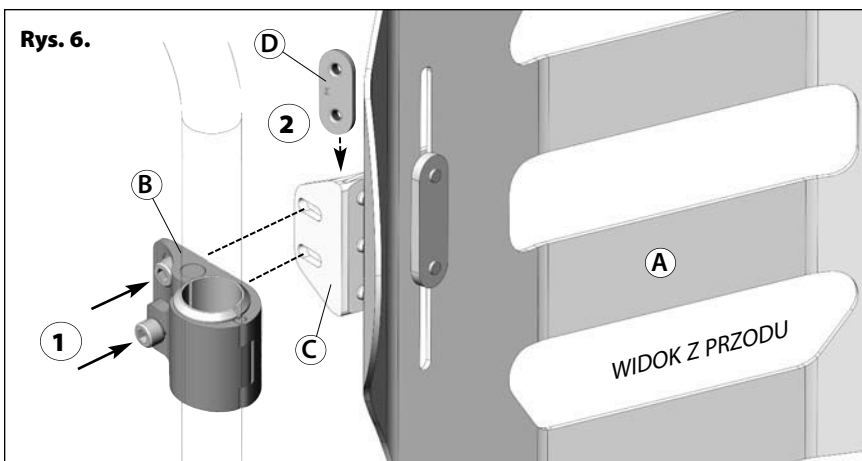
Uwaga: należy upewnić się, że zaciski tulei są do siebie równoległe.

3.6 Montaż oparcia MX2 na zaciskach tulei montowanych na stałe:

- Począwszy od jednej strony stelaża oparcia, należy zamontować oparcie Matrix MX2 (A) na zaciskach tulei* (patrz rys. 6):
 - Dopasować 2 śruby montażowe zespołu zacisku tulei (B) do odpowiednich otworów wspornika montażowego MX2 do montażu na stałe (C) (1).
 - Przymocować zespół zacisku tulei do wspornika montażowego MX2, korzystając dostarczonej z płytki z otworami na nakrętki gwintowane (D) (2).
 - Powtórzyć etapy (1) i (2), aby przymocować stelaż oparcia MX2 do tulei oparcia po przeciwnej stronie.

***UWAGA:** Przed zamontowaniem oparcia Matrix MX2 na zaciskach tulei należy lekko poluzować wsporniki do montażu stałego, aby ułatwić dopasowanie i montaż stelażu oparcia. Część 3.7 (rys. 8) zawiera więcej szczegółowych instrukcji dotyczących regulacji szerokości/wysokości.

Montaż oparcia MX2: sprzęt do montażu STAŁEGO



3.0 OPARCIE MX2 — MONTAŻ STAŁY

3.7 Regulacja oparcia MX2 montowanego na stałe:

i WAŻNE! Wsporniki oparcia MX2 do montażu stałego są przeznaczone do montażu na tulejach oparcia, które są maksymalnie o 25 mm (1 cal) szersze lub 25 mm (1 cal) węższe niż nominalna szerokość oparcia. Przy standardowej konfiguracji oparcie MX2 powinno być zamontowane symetrycznie (wyśrodkowane) pomiędzy tulejami oparcia.

i WAŻNE! Aby określić optymalne ustawienia głębokości/wysokości/kąta oparcia, użytkownik powinien podczas konfiguracji siedzieć na wózku inwalidzkim.

- Po zainstalowaniu stelaża oparcia MX2 na wózku inwalidzkim (na tulejach oparcia) można w dalszym ciągu regulować ostateczną głębokość, wysokość /szerokość i kąt oparcia MX2 w celu dopasowania do potrzeb użytkownika końcowego:
 - Regulacja głębokości:** Głębokość oparcia MX2 (względem tulei oparcia) reguluje się za pomocą dwóch oddzielnych ustawień:

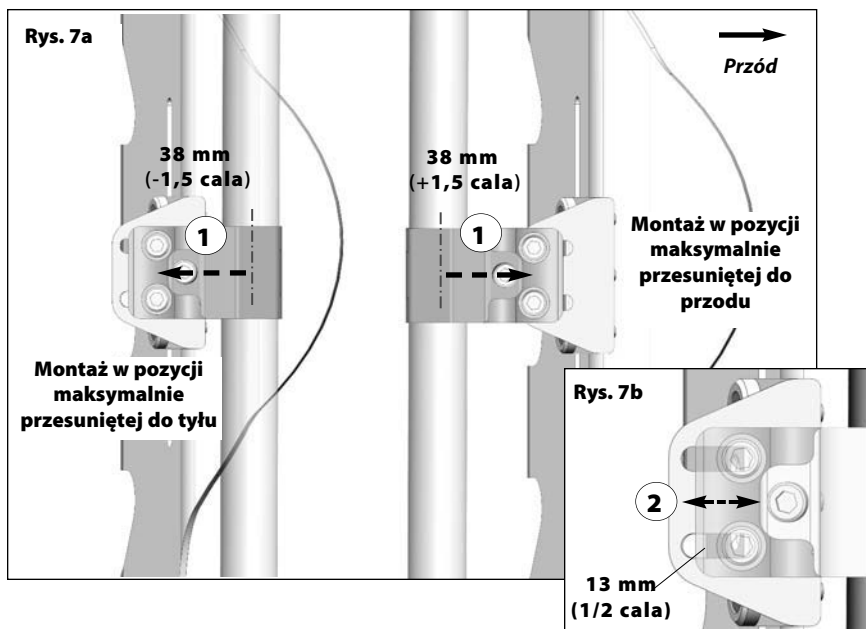
Orientacja zacisku tulei MX2 (patrz także **część 3.4**):
Orientacja zacisków tulei MX2 (instalacja w pozycji maksymalnie przesuniętej do przodu lub do tyłu) wpływa na pozycję stelażu oparcia (+/- 38 mm (1,5 cala)) względem tulei oparcia (1). Patrz **rys. 7a**.
Maksymalny zakres regulacji głębokości przód/tył w przypadku sprzętu MX2 do montażu stałego = 76 mm (3 cale) (+/- 38 mm (1,5 cala)).

Płytki montażowe MX2:
Wydłużone otwory w płytkach montażowych oparcia MX2 pozwalają na regulację głębokości w maksymalnym zakresie 13 mm (1/2 cala) (2). Patrz **rys. 7b**.
 - Regulacja szerokości/wysokości:** Poziome otwory we wspornikach montażowych MX2 umożliwiają precyzyjną regulację szerokości, a tym samym dopasowanie do różnic w szerokościach tulei oparcia (1). Wysokość oparcia MX2 (względem zacisków tulei) można regulować za pomocą pionowych otworów w stelażu oparcia MX2 (2). Długość otworu (regulacja wysokości) różni się w zależności od rozmiaru (wysokości) stelażu oparcia. Patrz **rys. 8a** i **8b**.
 - Regulacja kąta nachylenia:** Kąt nachylenia oparcia można regulować w zakresie $\pm 15^\circ$ poprzez obrócenie stelaża oparcia w przód (1) lub w tył (2) w wydłużonych otworach wsporników montażowych MX2. Patrz **rys. 9**.
- Należy sprawdzić, czy ogólny komfort, dopasowanie i wyregulowanie oparcia wózka inwalidzkiego są odpowiednie dla pacjenta. W razie potrzeby przeprowadzić dodatkową regulację.
- Całkowicie zabezpieczyć/dokręcić wszelkie elementy instalacyjne/montażowe i upewnić się, że wsporniki montażowe/zaciski tulei MX2 nie wysuną się ani nie wykręcą z pozycji.

3.0 OPARCIE MX2 — MONTAŻ STAŁY

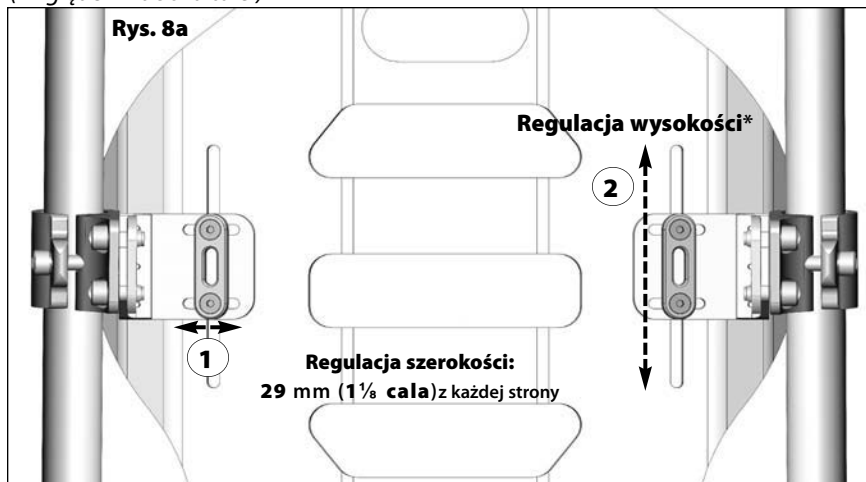
i WAŻNE! Wszelkich zmian ustawienia głębokości, wysokości i kąta nachylenia należy dokonywać symetrycznie w obrębie lewej i prawej płytki montażowej, chyba że wymagania są inne.

Montaż stały oparcia MX2: regulacja GŁĘBOKOŚCI:



Montaż stały oparcia MX2: regulacja SZEROKOŚCI/WYSOKOŚCI

(względem zacisku tulei)



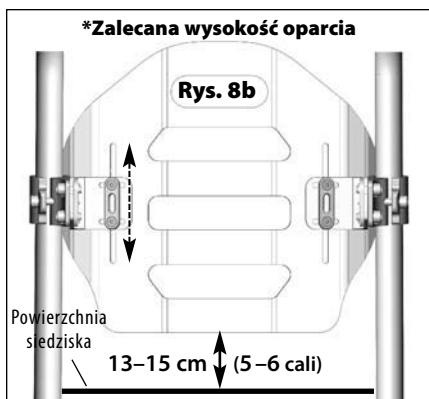
3.0 OPARCIE MX2 — MONTAŻ STAŁY

***UWAGA:** zakres regulacji wysokości oparcia MX2 różni się w zależności od wysokości (rozmiaru podłużnego otworu) na stelażu oparcia MX2 — patrz tabela 1.0:

Tabela 1.0:
Regulacja wysokości (długości otworu) oparcia MX2

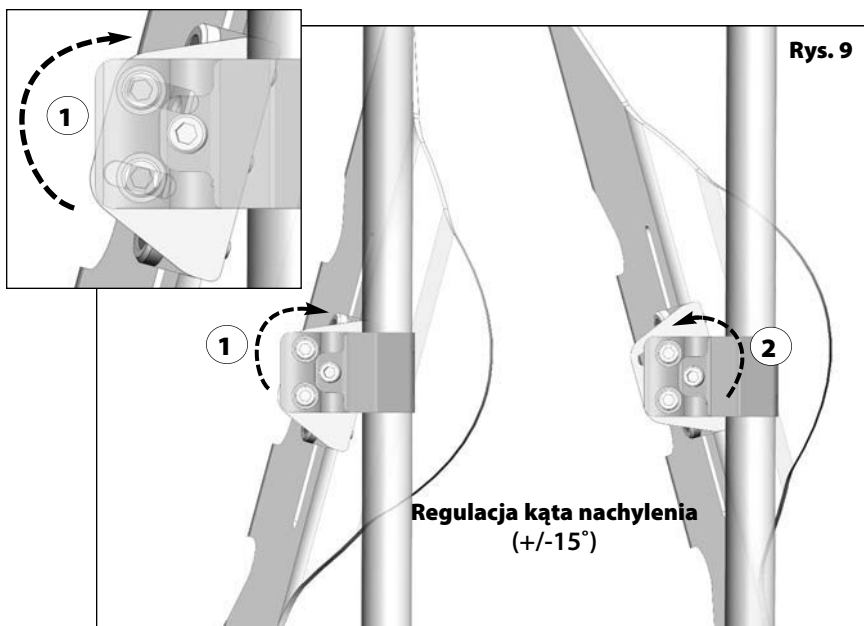
Wysokość stelaża oparcia	Zakres regulacji
150 mm (6 cali)	13 mm (1/2 cala)
230 mm (9 cali)	51 mm (2 cale)
310 mm (12 cali)	51 mm (2 cale)
410 mm (16 cali)	89 mm (3,5 cala)

***Uwaga:** Zalecana wysokość oparcia MX2 powinna być traktowana wyłącznie jako wskazówka. Konieczne może być wprowadzenie niewielkich zmian — patrz ramka **Ważne!** poniżej.



WAŻNE! Zawsze należy upewnić się, że dolna część oparcia znajduje się anatomicznie poniżej kolca biodrowego tylnego górnego (ang. Posterior Superior Iliac Spine, PSIS). W razie jakichkolwiek pytań lub wątpliwości dotyczących odpowiedniej wysokości oparcia należy skontaktować się z dostawcą i/lub lekarzem, aby uzyskać fachową poradę.

Montaż stały oparcia MX2: regulacja KĄTA NACHYLENIA OPARCIA



4.0 OPARCIE MX2 — MONTAŻ RUCHOMEGO MOCOWANIA

4.1 Zestaw części do ruchomego mocowania (szybkozłącza):

i) Zespół mocowania z szybkozłączem (do zamontowania w stelażu oparcia MX2):

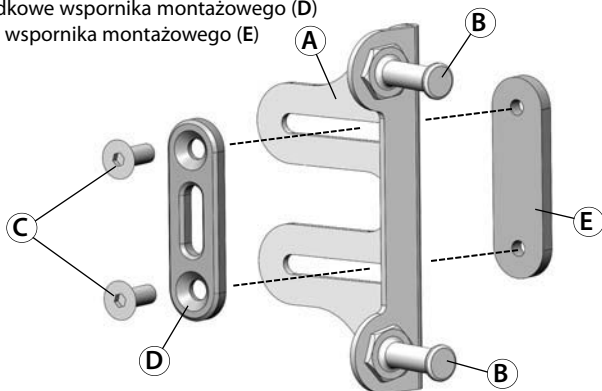
2 — Wsporniki montażowe do mocowania MX2 z szybkozłączem (A)

4 — Śwornice montażowe do szybkozłącza (B)

4 — Śruby do regulacji szerokości/wysokości (C)

2 — Podkładki podkładowe wspornika montażowego (D)

2 — Płytki nakrętkowe wspornika montażowego (E)



(schemat prawidłowego złożenia)

ii) Zespół zacisku tulei (do zamontowania na tulejach oparcia wózka inwalidzkiego):

2 — Mini płytki montażowe (F)

2 — Zacisk tulei (G)

2 — Wkładki do tulei 22 mm (7/8 cala) (H)

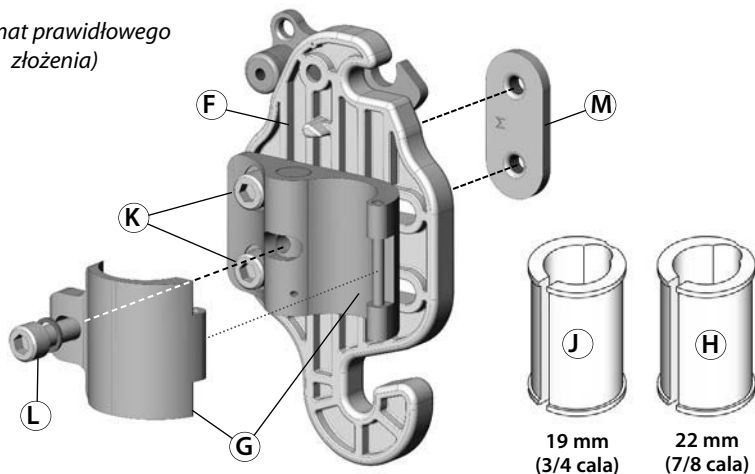
2 — Wkładki do tulei 19 mm (3/4 cala) (J)

4 — Śruby do regulacji głębokości/kąta nachylenia (K)

2 — Śruby zacisku tulei (L)

2 — Płytki nakrętkowe zacisku tulei (M)

(schemat prawidłowego złożenia)



19 mm
(3/4 cala)

22 mm
(7/8 cala)

4.0 OPARCIE MX2 — MONTAŻ RUCHOMEGO MOCOWANIA

4.2 Wymagane narzędzia

Klucz imbusowy (4 mm/5 mm) (dostarczony)

Taśma miernicza/linijka



WAŻNA UWAGA

W przypadku braku któregokolwiek z elementów montażowych lub jego nieprawidłowego położenia należy skontaktować się z lokalnym przedstawicielem firmy Invacare/Motion Concepts w celu uzyskania potrzebnych części zamiennych.

4.3 Montaż mocowania oparcia MX2 z szybkozłączem



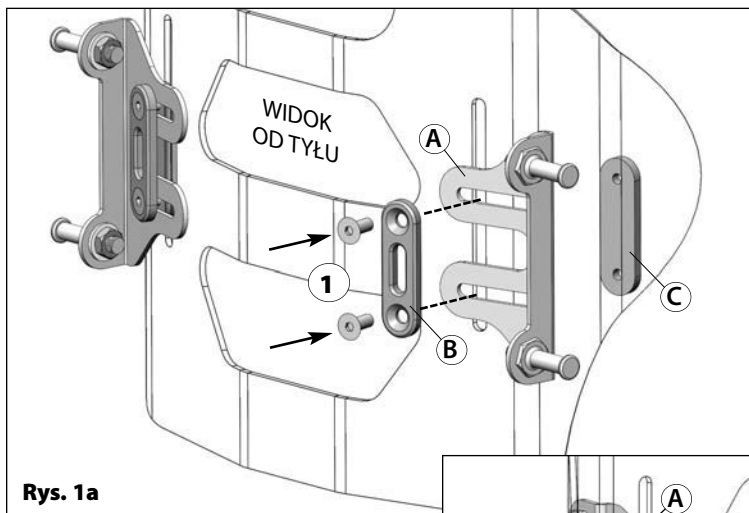
UWAGA: przed zamontowaniem mocowań z szybkozłączem (QR)

Należy ostrożnie zdjąć pokrycie oparcia MX2 poprzez zwolnienie zapięć rzepowych Velcro wzdłuż górnej i dolnej krawędzi oraz wewnątrz stelaża oparcia.

- 1 Poczynając od jednej strony, należy przykręcić mocowanie z szybkozłączem (A) do stelaża oparcia Matrix MX2, stosując się do poniższej instrukcji:
 - Ułożyć płytkę podkładową (B) tak, aby pasowała do otworów we wsporniku (A), a następnie przeprowadzić śruby przez oba te elementy (1); patrz **rys. 1a** (str. 18).
 - Od tyłu stelaża oparcia należy przeprowadzić 2 wystające śruby od wspornika montażowego przez pionową szczelinę w stelażu oparcia MX2 (2); patrz **rys. 1b**.
 - Aby przykręcić wspornik do stelaża oparcia MX2, należy przeprowadzić śruby przez płytkę nakrętkową (D) od przodu (wewnątrz) stelaża oparcia (3); patrz **rys. 1b**.
- 2 Przykręcić pozostałe wsporniki z szybkozłączem (A) po przeciwnej stronie stelaża oparcia (jak w **punkcie 1** powyżej).

4.0 OPARCIE MX2 — MONTAŻ RUCHOMEGO MOCOWANIA

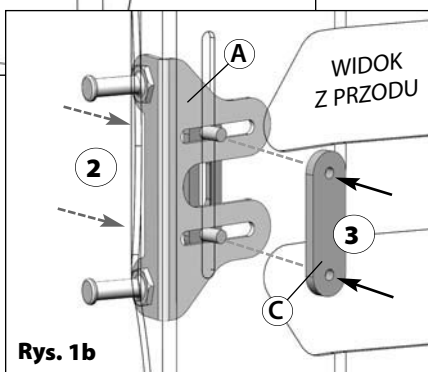
Montaż wspornika z szybkozłączem



Rys. 1a

POMOCA WSKAZÓWKA

Elementy mocowania/wspornik z szybkozłączem mogą być luźno połączone ze stelażem oparcia MX2, aby ułatwić dopasowanie szerokości/wysokości wspornika podczas skręcania z płytkami montażowymi oparcia MX2.



Rys. 1b

4.4 Przygotowanie do montażu: orientacja zacisku tulei oparcia MX2

WAŻNE! Przed zamontowaniem zespołów z zaciskami tulei oparcia MX2 należy najpierw ustawić zaciski w odpowiedniej pozycji.

OSTRZEŻENIE! Ryzyko poważnych obrażeń ciała

Podczas ustalania ostatecznej pozycji montażowej oparcia Matrix® MX2 firmy Invacare® należy upewnić się, że stabilność wózka inwalidzkiego nie jest zagrożona. Dostosowanie przedniej i tylnej pozycji oparcia zmienia środek ciężkości użytkownika na wózku inwalidzkim. Ustawienie oparcia w pozycji rozłożonej może znacząco obniżyć stabilność wózka inwalidzkiego i narazić na upadek do tyłu. Podobnie ustawienie oparcia w pozycji pochylonej w przód może obniżyć stabilność wózka inwalidzkiego i narazić na upadek do przodu.

4.0 OPARCIE MX2 — MONTAŻ RUCHOMEGO MOCOWANIA

W konfiguracji standardowej zaciski tulei oparcia MX2 (A) i płytki montażowe (B) powinny być złożone i przykręcone do tulei oparcia w pozycji *maksymalnie przesuniętej do tyłu*. Taka konfiguracja umożliwia uzyskanie maksymalnej głębokości siedziska — patrz rys. 2.

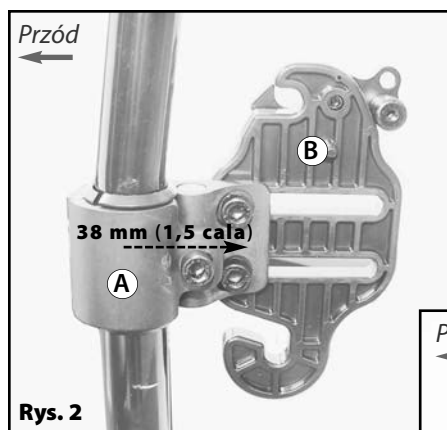
Aby uzyskać konfigurację *odwróconą**, zaciski tulei (A) powinny być obrócone o 180° na tulejach oparcia. Taka konfiguracja zmniejsza głębokość siedziska, powodując, że oparcie MX2 znajduje się w pozycji bardziej *pochylonej w przód*, jeśli jest taka konieczność — patrz rys. 3.

Zaciski tulei (A) umożliwiają regulację w zakresie 38 mm (1,5 cala) w płaszczyźnie przód/tył (względem tulei oparcia) w zależności od wybranej konfiguracji mocowania.

Uwaga: sekcja 4.8 zawiera więcej szczegółowych informacji dotyczących regulacji głębokości ruchomego mocowania oparcia MX2.

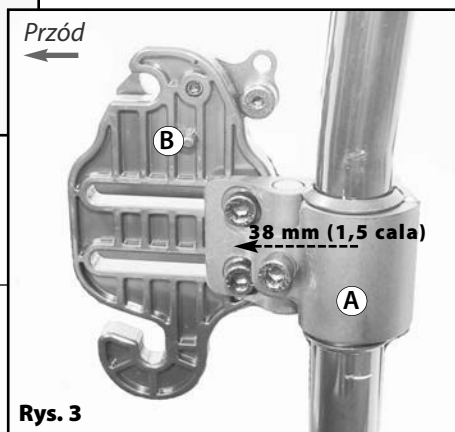
*Aby zmienić orientację płytki montażowej/zacisku tulei na maksymalnie przesuniętą do przodu, należy:

- 1 Odkręcić płytkę montażową (B) od zacisku tulei (A) (odkręcić 2 śruby).
- 2 Przekręcić zacisk tulei (A) o 180°, a następnie ponownie przykręcić płytkę montażową (B) w tej samej pozycji (patrz rys. 3).



**Standardowa konfiguracja
zacisku tulei
(maksymalna głębokość
siedziska)**

**Odwrótne konfiguracja
zacisku tulei
(minimalna głębokość
siedziska)**



4.0 OPARCIE MX2 — MONTAŻ RUCHOMEGO MOCOWANIA

4.5 Montaż płytki montażowej/zacisku tulei oparcia MX2:

Zaciski tulei oparcia MX2 są zaprojektowane tak, aby można je było zamontować na tulei o średnicy 25 mm (1 cal), 22 mm (7/8 cala) lub 19 mm (3/4 cala). (Plastikowe wkładki (A) dołączone do zestawu umożliwiają montaż na tulei oparcia o mniejszej średnicy*).

- 1 Zdjąć dotychczasowe oparcie wózka inwalidzkiego (jeśli dotyczy).
- 2 Luźno przykręcić zespół z zaciskiem tulei (B) do każdej z tulei oparcia w żądanej konfiguracji — patrz schematy montażu na rys. 4 oraz rys. 5.

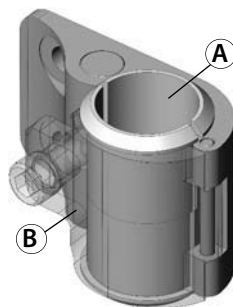
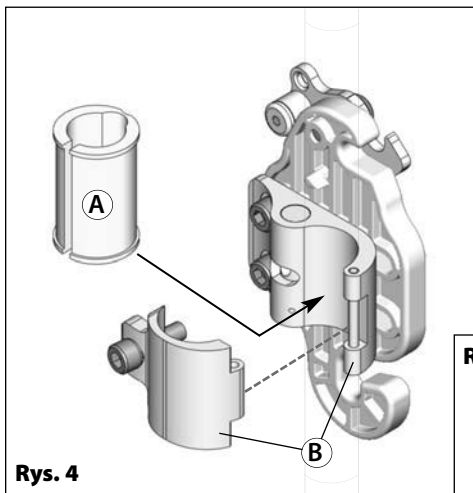
***Możliwość montażu na tulejach o innej średnicy:**

Tuleje o średnicy 25 mm (1 cal) — plastikowe wkładki nie są wymagane

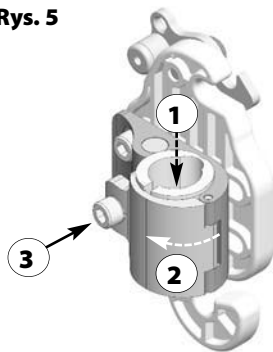
Tuleje o średnicy 22 mm (7/8 cala) — należy założyć 2 plastikowe wkładki o średnicy 22 mm (7/8 cala)

Tuleje o średnicy 19 mm (3/4 cala) — należy założyć 2 plastikowe wkładki o średnicy 19 mm (3/4 cala)

Montaż zacisku tulei oparcia MX2



Rys. 5



POMOĆNA WSKAZÓWKA

Aby uzyskać bezpieczne, nieślizgające się połączenie elementów, należy spryskać tuleje oparcia i wnętrza plastikowych wkładek małą ilością lakieru do włosów.

4.0 OPARCIE MX2 — MONTAŻ RUCHOMEGO MOCOWANIA

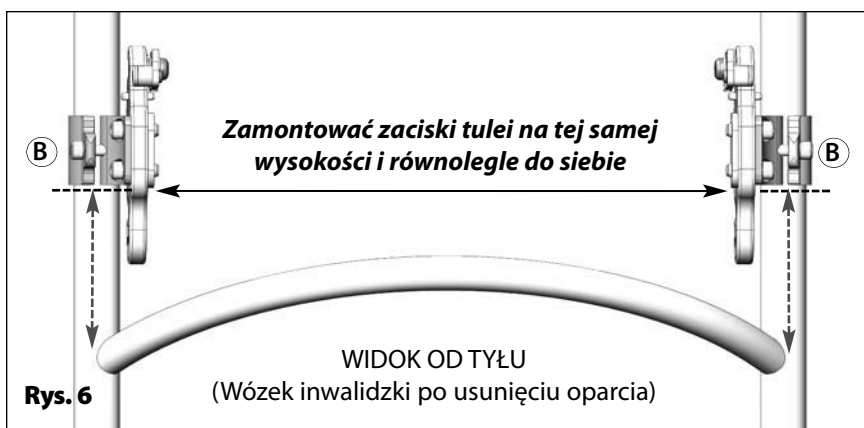
- 3 Poczawszy od jednej ze stron, należy przesunąć/dopasować zacisk tulei (B) tak, aby odpowiadał żądanej wysokości/pozycji na tulei oparcia, a następnie przykręcić.

Uwaga: docelową wysokość oparcia można później zmienić/precyzyjnie dopasować po przykręceniu stelaża oparcia MX2 do płytek montażowych.

- 4 Należy zmierzyć odległość między jednym, stałym elementem wózka (np. ramą siedziska lub belką usztywniającą) a już zamontowanym pierwszym zespołem zacisku tulei, a następnie przykręcić drugi zacisk tulei na ten samej wysokości po przeciwnej stronie — patrz rys. 6 poniżej.

Uwaga: należy upewnić się, że zaciski tulei/płytki montażowe po obu stronach są do siebie równoległe.

Dopasowanie wysokości płytki montażowej/zacisku tulei oparcia MX2



4.6 Montaż oparcia MX2 na wsporniku z szybkozłączem

⚠ OSTRZEŻENIE! Nieprawidłowe zamontowanie sworzni mocujących może spowodować uszkodzenie płyty oparcia i/lub płytek montażowych. Należy upewnić się, że ilość miejsca pomiędzy płytką montażową i łbem sworznia jest wystarczająca (zalecany jest minimalny odstęp 3 mm (1/8 cala)).

⚠ OSTRZEŻENIE! NIE WOLNO nakładać preparatu Loctite na elementy mocujące. Zanieczyszczenie części niewykonanych z metalu może spowodować ich rozkład i kruszenie (pęknięcie).

ⓘ WAŻNE! O ile inne ustawienie nie jest konieczne, należy zawsze upewnić się, że regulacje są wprowadzane symetrycznie w obrębie lewego i prawego wspornika montażowego.

4.0 OPARCIE MX2 — MONTAŻ RUCHOMEGO MOCOWANIA

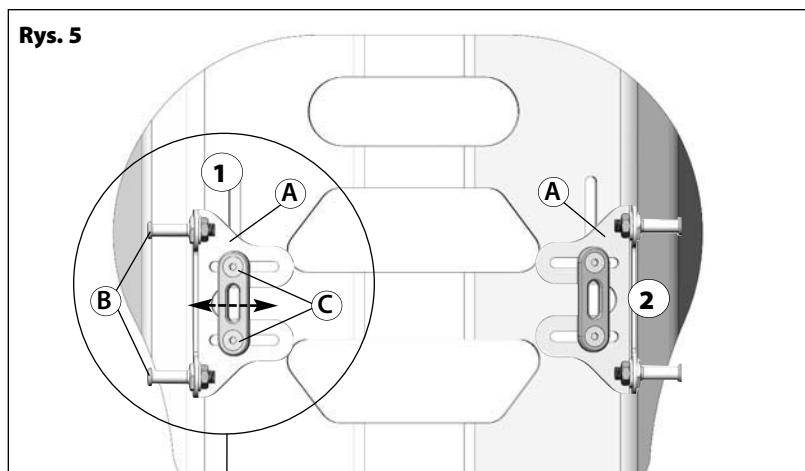
WAŻNE! Należy wziąć pod uwagę, że poluzowanie wsporników montażowych z szybkozłączem (A) jednocześnie spowoduje zmianę ustawienia szerokości i wysokości oparcia MX2. Należy przeczytać **wszystkie instrukcje** przed rozpoczęciem montażu. Podczas montażu zaleca się dokonywanie regulacji w obrębie jednego wspornika naraz.

! WAŻNA UWAGA

Każdy wspornik montażowy z szybkozłączem (A) jest dostarczany ze wstępnie zamontowanymi sworzniami (B). Jest wyposażony w otwory umożliwiające regulację szerokości do montażu oparcia MX2 na tulejach o **25 mm (1 cal) szerszych lub o 25 mm (1 cal) węższych** niż nominalna szerokość oparcia.

- 1 Przed rozpoczęciem montażu oparcia Matrix® MX2 firmy Invacare® (patrz rys. 5):
 - i. Po jednej stronie delikatnie poluzować płytkę podkładową wspornika oraz śruby (C), aby można było przesunąć wspornik z szybkozłączem (A) i sworznie mocujące (B) do wewnątrz lub na zewnątrz (1) (według potrzeb) oraz dopasować je do płytek montażowych zacisku tulei — patrz **punkt 2; rys. 6a/6b**.
 - ii. Zespół wspornika montażowego z szybkozłączem po drugiej (przeciwnej) stronie ma pozostać przykręcony do stelaża oparcia MX2 (2).

Dopasowanie sworznia mocującego i wspornika z szybkozłączem (przed montażem)



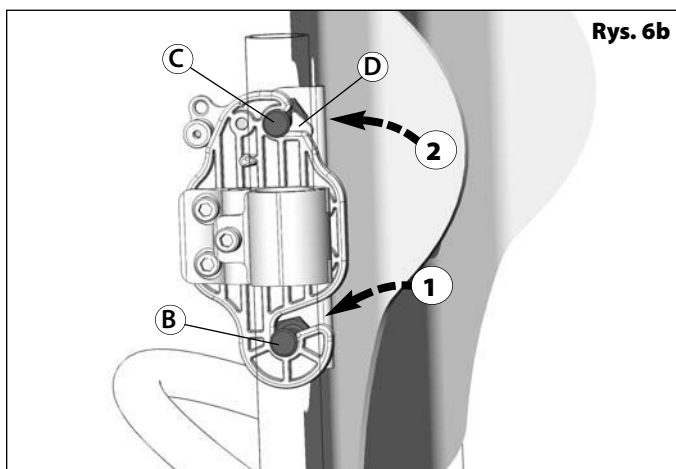
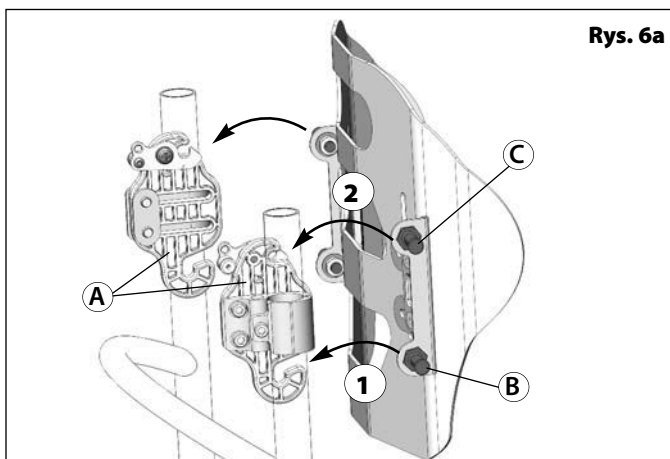
Poluzować zespół
wspornika montażowego
(tylko po jednej stronie)

4.0 OPARCIE MX2 — MONTAŻ RUCHOMEGO MOCOWANIA

- 2 Przykręcić oparcie MX2 do płytek montażowych (A) w następujący sposób (patrz rys. 6a i 6b):
- Dopasować i wprowadzić sworznie mocujące znajdujące się niżej (B) do haczykowatych otworów znajdujących się na dole obu płytek montażowych (1).
 - Jeśli sworznie znajdujące się niżej są już na miejscu, wcisnąć sworznie mocujące znajdujące się wyżej (C) do mechanizmu zatrzaskowego (D) w górnej części płytki montażowej (2).

⚠ OSTRZEŻENIE! Podczas montażu oparcia MX2 należy zawsze upewnić się, że oba mechanizmy zatrzaskowe (D) obejmują całkowicie górne sworznie mocujące.

Zakładanie oparcia MX2 na płytki montażowe



4.0 OPARCIE MX2 — MONTAŻ RUCHOMEGO MOCOWANIA

4.7 Oparcie MX2: regulacja szerokości i wysokości

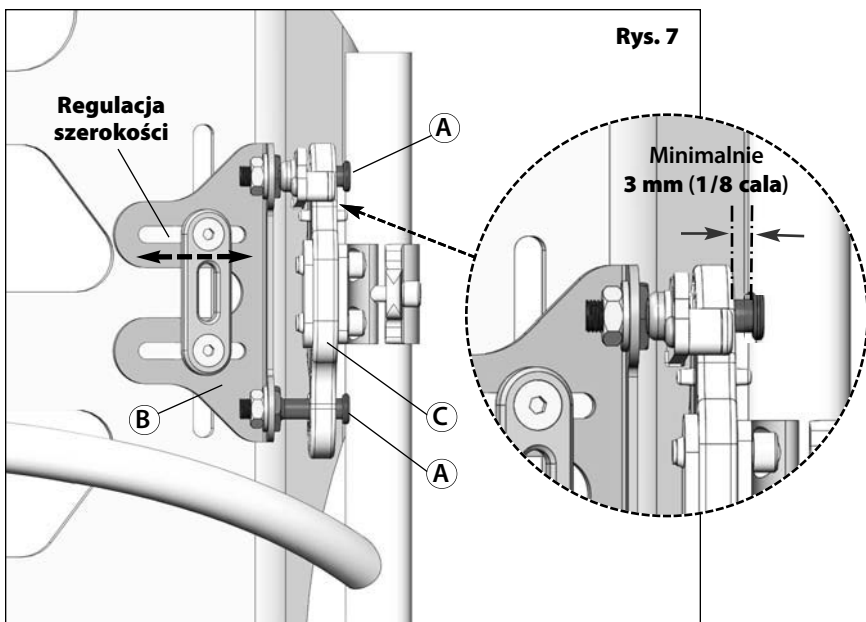
i WAŻNE! Należy wziąć pod uwagę, że regulacji szerokości i wysokości oparcia MX2 dokonuje się jednocześnie. Podczas montażu zalecane jest dokonywanie regulacji w jednym wsporniku naraz i zabezpieczenie go na tyle, aby zapobiec opadaniu po każdej zmianie ustawień. Mechanizm mocujący można maksymalnie dokręcić po zakończeniu montażu lub konfiguracji.

- 1 Dopasowanie szerokości sworznia mocującego:** Gdy oparcie MX2 jest zatrzasknięte w płytkach montażowych należy dopasować szerokość sworznia mocującego (A) w obu wspornikach mocujących (B) w taki sposób, aby zachować minimalny odstęp 3 mm (1/8 cala) pomiędzy łbami sworzni mocujących i zewnętrzną częścią płytki montażowej (C)*. (Patrz rys. 7).

***UWAGA:** W przypadku standardowej instalacji oparcia MX2 stelaż oparcia powinien być wyśrodkowany pomiędzy tulejami po dokonaniu regulacji szerokości. (Wsporniki montażowe należy wyregulować symetrycznie po obu stronach stelaża).

- 2** Przykręcić oba zespoły wsporników na tyle, aby nie zsuwały się.

Montaż oparcia MX2: konfiguracja sworzni mocujących/regulacja szerokości

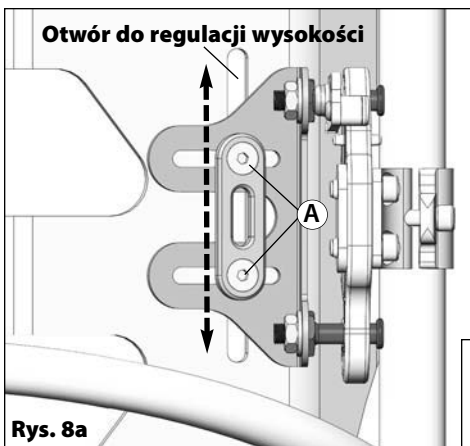


4.0 OPARCIE MX2 — MONTAŻ RUCHOMEGO MOCOWANIA

- Regulacja wysokości oparcia MX2:** Wysokość oparcia MX2 można dopasować według potrzeb dzięki podłużnemu otworowi w stelażu oparcia MX2 (patrz rys. 8a). Zalecana wysokość oparcia* wynosi około 13–15 cm (5–6 cali), licząc od górnej powierzchni siedziska (poduszki lub płyty siedziska); patrz rys. 8b).
- Poluzować mocowanie wspornika po jednej stronie (A), a następnie zsuwać lub przesuwać do góry stelaż oparcia MX2, aż do uzyskania żądanej wysokości oparcia. **UWAGA:** zakres regulacji wysokości oparcia MX2 różni się w zależności od wysokości (rozmiaru podłużnego otworu) na stelażu oparcia MX2 — patrz tabela 1.0.
- Dokręcić płytkę wspornika/śruby (A), aby zabezpieczyć pozycję oparcia MX2, zwracając uwagę na zachowanie odpowiedniej pozycji/szerokości sworznia mocującego (patrz rys. 7). Powtórzyć te same regulacje wysokości oparcia w przypadku wspornika montażowego po drugiej stronie.
- Po zakończeniu regulacji szerokości i wysokości należy w pełni zabezpieczyć wszystkie elementy.

**Uwaga: Zalecana wysokość oparcia MX2 powinna być traktowana wyłącznie jako wskazówka. Konieczne może być wprowadzenie niewielkich zmian — patrz ramka Ważne! poniżej.*

Montaż oparcia MX2: regulacja wysokości oparcia

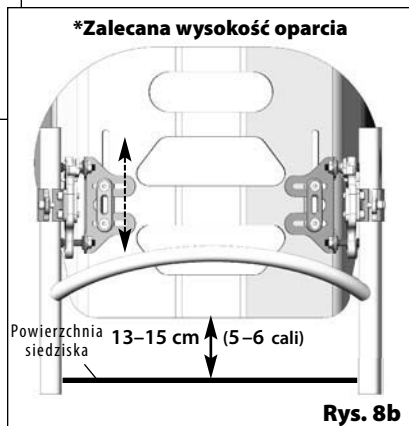


Rys. 8a

Tabela 1.0:
Regulacja wysokości (długości otworu) oparcia MX2

Wysokość stelaża oparcia	Zakres regulacji
150 mm (6 cali)	13 mm (1/2 cala)
230 mm (9 cali)	51 mm (2 cale)
310 mm (12 cali)	51 mm (2 cale)
410 mm (16 cali)	89 mm (3,5 cala)

WAŻNE!
Zawsze należy upewnić się, że dolna część oparcia znajduje się anatomicznie poniżej kolca biodrowego tylnego górnego (ang. Posterior Superior Iliac Spine, PSIS). W razie jakichkolwiek pytań lub wątpliwości dotyczących odpowiedniej wysokości oparcia należy skontaktować się z dostawcą i/lub lekarzem, aby uzyskać fachową poradę.



Rys. 8b

4.0 OPARCIE MX2 — MONTAŻ RUCHOMEGO MOCOWANIA

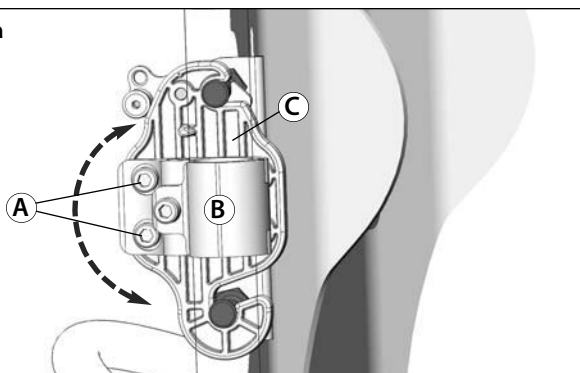
4.8 Oparcie MX2: regulacja kąta nachylenia i głębokości

i WAŻNE! Należy wziąć pod uwagę, że regulację kąta nachylenia i głębokości oparcia MX2 również wykonuje się jednocześnie. Regulacja obu tych ustawień jest łatwiejsza po uprzednim poluzowaniu elementów mocujących przy zespołach zacisków tulei po obu stronach. (**Uwaga:** standardowy montaż wymaga symetrycznej regulacji głębokości i kąta nachylenia w obu płytkach montażowych).

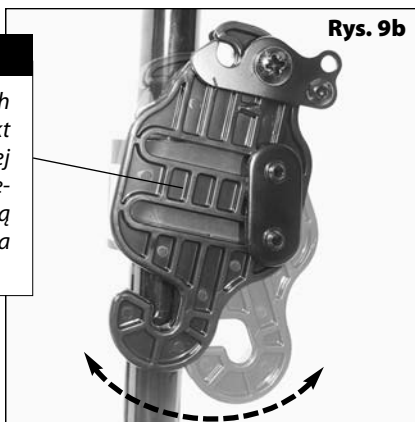
- 1 **Regulacja kąta nachylenia oparcia MX2:** jeśli jest taka potrzeba, kąt nachylenia oparcia MX2 można regulować za pomocą dwóch śrub do ustawiania głębokości/kąt nachylenia (A) na każdym z zespołów zacisków (B) (patrz rys. 9a).
- 2 Należy poluzować śruby do ustawiania głębokości/kąt nachylenia (x2) na obu zespołach zacisków, a następnie zmienić nachylenie płytki montażowej (C), obracając ją w przód lub w tył do uzyskaniażądanego kąta oparcia (zakres regulacji kąt = $\pm 15^\circ$; patrz rys. 9b).

Montaż oparcia MX2: regulacja kąta nachylenia oparcia

Rys. 9a



Rys. 9b



Regulacja kąta nachylenia ($\pm 15^\circ$)

! WAŻNA UWAGA

Pionowe linie wytłoczone na płytkach montażowych stanowią punkt odniesienia pomocny w symetrycznej regulacji. W czasie regulacji kąta nachylenia oparcia MX2 pionowe linie pomagają w ustaleniu tego samego kąta nachylenia obu płytek montażowych.

4.0 OPARCIE MX2 — MONTAŻ RUCHOMEGO MOCOWANIA

- 3 **Regulacja głębokości oparcia MX2:** całkowita regulacja głębokości oparcia MX2 polega na dopasowaniu dwóch oddzielnych ustawień:

Orientacja zacisku tulei MX2 (patrz również **sekcja 4.4**):

Zaciski tulei oparcia MX2 (B) można zamontować w orientacji standardowej (skierowanej w tył) lub odwróconej (skierowanej w przód) w celu uzyskania mniejszej głębokości siedziska (patrz **rys. 10**).

Przy montażu w pozycji maksymalnie przesuniętej do tyłu (1) głębokość oparcia = 44 mm (-1,75 cala).

Przy montażu w pozycji maksymalnie przesuniętej do przodu (2) głębokość oparcia = 57 mm (+2,25 cala).

(Uwaga: podane wymiary to odległość pomiędzy tuleją oparcia a sworzniem mocującym).

Maksymalny zakres regulacji głębokości w przód/w tył (od montażu w pozycji maksymalnie przesuniętej do tyłu do maksymalnie przesuniętej do przodu) = 108 mm (4,25 cala).

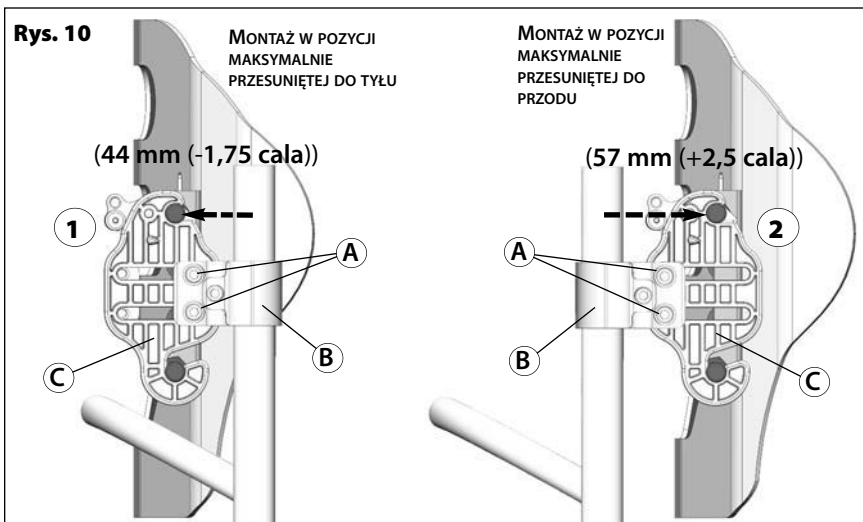
Regulacja głębokości płytki montażowej oparcia MX2*:

Otwory w płytce montażowej oparcia MX2 (C) pozwalają na regulację głębokości w maksymalnym zakresie 44 mm (1,75 cala); patrz **rys. 11, str. 28**.

***UWAGA:** zakres regulacji głębokości płytki montażowej jest bardziej ograniczony, gdy zmianie ulegnie kąt nachylenia oparcia MX2.

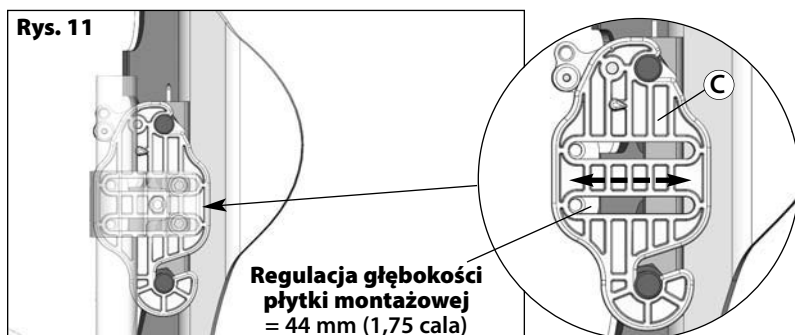
- 4 Aby dokonać regulacji głębokości należy poluzować dwie śruby regulujące (A) w zespołach zacisku tulei po obu stronach, a następnie przesunąć płytki montażowe (C) poprzez otwory regulacyjne w przód lub w tył do uzyskania żądanej głębokości oparcia.
- 5 Po zakończeniu regulacji kąta nachylenia i głębokości należy w pełni zabezpieczyć wszystkie elementy mocujące.

Montaż oparcia MX2: regulacja głębokości oparcia



4.0 OPARCIE MX2 — MONTAŻ RUCHOMEGO MOCOWANIA

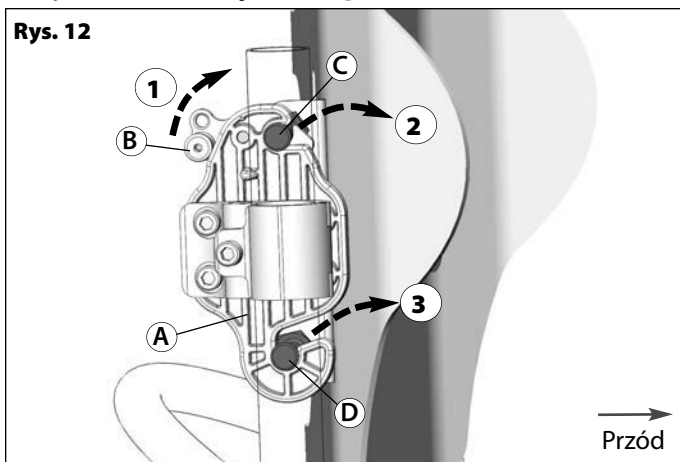
Montaż oparcia MX2: regulacja głębokości oparcia



4.9 Wypięcie oparcia MX2 z mechanizmu z szybkozłazcem

- 1 Usunąć/wymontować oparcie MX2 z płytek montażowych (A) (patrz rys. 12 poniżej):
 - i. Stojąc za wózkiem, należy **jednocześnie** unieść mechanizmy zatraskowe (B) na obu płytkach montażowych (1).
 - ii. Kiedy mechanizmy zatraskowe są już otwarte, popchnąć górną część oparcia MX2 (2) w celu odłączenia górnych sworzni (C) od płytek montażowych (A).
 - iii. Po usunięciu górnych sworzni należy unieść oparcie MX2 ruchem w górę i w przód (3), aby odłączyć dolne sworznie mocujące (D) od płytek montażowych.

Zdejmowanie/rozłączanie oparcia MX2



5.0 CZYSZCZENIE I KONSERWACJA

5.1 Czyszczenie i pranie:

i WAŻNE! Wszystkie stosowane środki czyszczące i dezynfekcyjne muszą być skuteczne, zgodne ze sobą oraz nie mogą uszkadzać czyszczonych powierzchni.



PRZESTROGA! Ryzyko uszkodzenia produktu

NIE NALEŻY używać środków czyszczących zawierających wybielacze, fenole ani alkohole.

Ogólna pielęgnacja i czyszczenie:

Jeśli zajdzie taka potrzeba, pokrycie można łatwo przetrzeć za pomocą wilgotnej szmatki.

Wskazówki dotyczące prania (pokrycie zewnętrzne):

1. Należy ostrożnie zdjąć pokrycie oparcia poprzez zwolnienie zapięć na rzepowych Velcro wzdłuż górnej i dolnej krawędzi oraz wewnątrz stelaża oparcia.

UWAGA: wypełnienie piankowe znajdujące się wewnątrz musi zostać usunięte przed praniem.

2. Prać w pralce w temperaturze 60°C, wykorzystując program prania delikatnych tkanin (patrz instrukcje prania na metce).

i WAŻNE! Pranie w wyższych temperaturach może spowodować skurczenie się materiału.

3. Należy rozwiesić wewnątrz czystego pomieszczenia do ocieknięcia i wysuszenia **lub** wysuszyć w suszarce bębnowej ustawionej na niską temperaturę.

i WAŻNE!

- Temperatura ustawiona w suszarce bębnowej nie może przekraczać 40°C
- Nie suszyć w suszarce bębnowej przez czas dłuższy niż 10 minut
- Dokładnie wysuszyć pokrycie przed ponownym włożeniem wypełnienia piankowego
- Nie prasować
- Nie czyścić chemicznie

5.2 Konserwacja i przegląd:

Raz w miesiącu: przeprowadzić kontrolę wzrokową elementów, wsporników, tapicerki, wypełnień z pianki i elementów plastikowych, zwracając szczególną uwagę na oznaki odkształceń, korozji, złamania, zużycia lub ucisku.



OSTRZEŻENIE! Ryzyko obrażeń ciała lub uszkodzenia urządzenia

Należy sprawdzać WSZYSTKIE zaczepy raz w tygodniu, aby upewnić się, że połączenia mechaniczne i elementy mocujące są solidnie przykręcone.

NIE NALEŻY korzystać z urządzenia, jeśli wystąpią jakiegokolwiek problemy. Działania naprawcze można przeprowadzić u dostawcy urządzenia lub za jego pośrednictwem.

6.0 ELEMENTY OPCJONALNE OPARCIA MX2

6.1 Montaż/regulacja wsparcia lędźwiowego (opcjonalne)

! WAŻNA UWAGA

Wsparcie lędźwiowe to wstępnie przygotowany wkład piankowy, który zapewnia wsparcie dolnej części pleców dla dodatkowej wygody. Wsparcie lędźwiowe można umieścić wewnątrz pokrycia oparcia Matrix® MX2 firmy Invacare® (patrz instrukcja poniżej) lub można je usunąć, jeśli nie ma potrzeby zastosowania wsparcia lędźwiowego.

1. Aby uzyskać dostęp do wsparcia lędźwiowego (pianki), należy otworzyć zapięcia rzepowe w pokryciu (A) znajdujące się w tylnej dolnej części stelaża oparcia.
2. Piankowe wsparcie lędźwiowe (B) znajduje się wewnątrz pokrycia oparcia Matrix® MX2 firmy Invacare® pomiędzy piankowym wypełnieniem oparcia (C) a stelażem (D).
3. Dopasować wsparcie lędźwiowe do żądanej wysokości/pozycji.
4. Ponownie zapiąć rzepy, mocując pokrycie do płyty oparcia.

Wsparcie lędźwiowe



***UWAGA:** piankę lędźwiową można zmodyfikować/dociąć tak, aby odpowiadała potrzebom użytkownika końcowego.



Dopasować położenie wsparcia lędźwiowego lub całkowicie usunąć piankę

6.0 ELEMENTY OPCJONALNE OPARCIA MX2

6.2 Zasłona (sprzedawana osobno, opcjonalna)

Zasłony (sprzedawane osobno) mogą być używane wraz ze wszystkimi standardowymi rozmiarami oparc MX2. Wszystkie oparcia standardowych rozmiarów są wyposażone w pasek rzepowy przyszyty wzdłuż dolnej tylnej krawędzi pokrycia, co umożliwia montaż zasłony.

Patrz tabela doboru rozmiarów zasłon do oparc MX2:

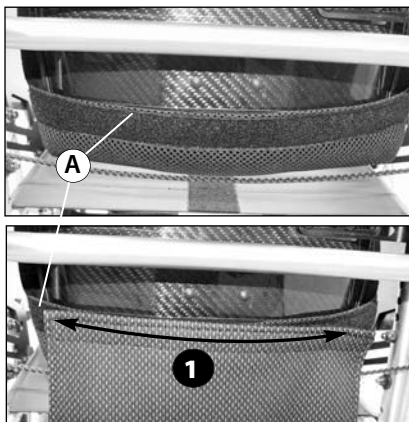
SZEROKOŚĆ	ZASŁONA
36 cm (14 cali)	ZASŁONA — XS 26 cm × 41 cm (10 cali × 16 cali)
38 cm (15 cali)	ZASŁONA — S
41 cm (16 cali)	33 cm × 41 cm (13 cali × 16 cali)
43 cm (17 cali)	ZASŁONA — M 38 cm × 41 cm (15 cali × 16 cali)
46 cm (18 cali)	



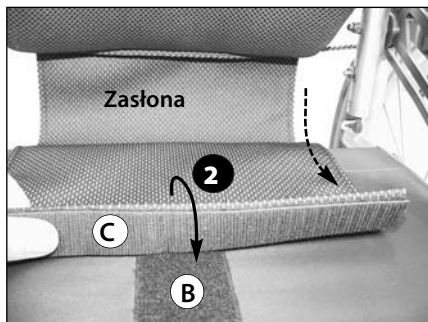
Instrukcje dotyczące montażu:

1. Usunąć poduszkę siedziska wózka inwalidzkiego (jeśli jest zamontowana).
2. Upewnić się, że wysokość oparcia jest odpowiednio wyregulowana. (Patrz sekcja 4.0, rys. 8).
3. Stojąc za wózkiem inwalidzkim (patrząc w przód), dopasować/przymocować pasek z haczykami do zaczepu zasłony z pętelkami przyszytego w tylnej dolnej części osłony oparcia MX2 (A). (Patrz punkt 1 poniżej).
4. Przeciągnąć przeciwny (nieprzymocowany) koniec zasłony przez otwór pomiędzy dolną częścią stelaża oparcia a siedziskiem wózka inwalidzkiego.
5. Przymocować pasek z pętelkami na zasłonie do paska rzepowego Velcro* (B) na siedzisku wózka inwalidzkiego wykonanym z pasów lub płyty siedziska. (Patrz punkt 2 poniżej).

***UWAGA:** jeśli siedzisko wózka inwalidzkiego jest wyposażone w pasujący pasek z pętelkami, należy przymocować zasłonę, wykorzystując dostarczony pasek z podwójnymi haczykami (C).



WIDOK OD TYŁU



WIDOK Z PRZODU

matrix[®]
SEATING SERIES



Opěradlo Matrix MX2

pro **PEVNÉ MONTÁŽNÍ**
příslušenství a **ODNÍMATELNÉ**
MONTÁŽNÍ příslušenství

INSTALACE/SESTAVENÍ

i DŮLEŽITÉ! Montážní pokyny uvedené v tomto návodu smí provádět pouze kvalifikovaný technik.

PRODEJCE: Tento návod MUSÍ být předán uživateli výrobku.

UŽIVATEL: Před zahájením používání tohoto výrobku si přečtěte tento návod. Návod si uschovejte pro případ, že jej budete v budoucnu potřebovat.



TRD0439 Rev B

ZÁRUKA

POZNÁMKA: NÍŽE UVEDENÁ ZÁRUKA JE KONCIPOVÁNA TAK, ABY SPLŇOVALA POŽADAVKY FEDERÁLNÍCH ZÁKONŮ TÝKAJÍCÍCH SE PRODUKTŮ VYROBENÝCH PO 4. ČERVENCI 1975.

Tato záruka se vztahuje pouze na původního majitele/uživatele našich výrobků. Z této záruky pro vás vyplývají konkrétní zákonná práva, přičemž vám mohou příslušet i další zákonná práva, která mohou být v jednotlivých zemích odlišná. Společnost Invacare / Motion Concepts po dobu dvou let od původního data zakoupení tohoto výrobku ručí za to, že výrobek nebude vykazovat materiálové ani výrobní vady. Tato záruka se nevztahuje na proražení, roztržení nebo popálení výrobku ani na snímatelný povlak jeho polstrování. Pokud se během uvedené záruční doby vyskytne jakákoli vada výrobku, bude tento výrobek, na základě vlastního uvážení společnosti Invacare / Motion Concept, opraven za použití renovovaných či nových součástí nebo bude vyměněn. Tato záruka nezahrnuje žádné pracovní sazby nebo poplatky související s dopravou a sazby nebo poplatky vzniklé při montáži náhradních dílů nebo při provádění opravy jakéhokoliv výrobku. Oprava výrobku tuto záruku neprodlužuje – záruka vztahující se na opravený výrobek končí uplynutím výše uvedené záruční doby stanovené pro tuto omezenou záruku. Jediná povinnost společnosti Invacare / Motion Concept a vylučný opravný prostředek, který vám na základě této záruky přísluší, se omezují na výše uvedenou opravu a/nebo výměnu. Se záručními reklamacemi se obračejte na prodejce, u kterého jste výrobek společnosti Invacare / Motion Concepts zakoupili. V případě, že vám nebude poskytnut uspokojivý záruční servis, obraťte se písemně přímo na společnost Invacare / Motion Concepts, jejíž adresa je uvedena na zadní straně tohoto návodu. Uveďte jméno a adresu prodejce, číslo modelu a datum zakoupení a tyto údaje doplňte popisem vady a způsobu, jakým se tato vada projevuje. Pokud je na výrobku uvedeno výrobní číslo, uveďte i toto číslo. Společnost Invacare Corporation / Motion Concepts vystaví povolení k navrácení výrobku. Vadný výrobek nebo jeho součásti musí být vráceny za účelem provedení záruční prohlídky, nejlépe s uvedením výrobního čísla jako identifikačního údaje, do třiceti (30) dnů od data vystavení povolení k navrácení výrobku.

NEZASÍLEJTE výrobky zpět do našeho výrobního závodu bez našeho předchozího souhlasu. Zásilký s dobírkou budou odmítnuty, poštovné musí být vždy předem zaplaceno.

OMEZENÍ A VYLOUČENÍ: ZÁRUKA SE NEVZTAHUJE NA PROBLÉMY VZNIKLÉ NÁSLEDKEM BĚŽNÉHO OPOTŘEBENÍ NEBO NÁSLEDKEM NEDODRŽENÍ PŘILOŽENÝCH POKYNŮ. MIMO TO SE VÝŠE UVEDENÁ ZÁRUKA NEVZTAHUJE NA VÝROBKÝ S PŘIDĚLENÝM VÝROBNÍM ČÍSLEM, JESTLIŽE TOTO VÝROBNÍ ČÍSLO BYLO ODSTRANĚNO NEBO POZMĚNĚNO, DÁLE NA VÝROBKÝ, KTERÉ BYLY POŠKOZENY NÁSLEDKEM NEDBALOSTI, NEHODY, NESPRÁVNÉ OBSLUHY, NEDOSTATEČNÉ ÚDRŽBY NEBO NEVHODNÉHO SKLADOVÁNÍ, ANI NA VÝROBKÝ UPRAVENÉ BEZ VÝSLOVNÉHO PŘEDCHOZÍHO PÍSEMNÉHO SOUHLASU SPOLEČNOSTI INVACARE / MOTION CONCEPTS, VČETNĚ, NIKOLI VŠAK VÝLUČNĚ: ÚPRAV PROVEDENÝCH ZA POUŽITÍ NESCHVÁLENÝCH SOUČÁSTÍ NEBO NESCHVÁLENÉHO PŘÍSLUŠENSTVÍ – NA VÝROBKÝ POŠKOZENÉ Z DŮVODU OPRAVY KTERÉKOLI SOUČÁSTI PROVEDENÉ BEZ VÝSLOVNÉHO SOUHLASU SPOLEČNOSTI INVACARE / MOTION CONCEPTS, NA VÝROBKÝ POŠKOZENÉ NÁSLEDKEM OKOLNOSTÍ, KTERÉ SPOLEČNOST INVACARE / MOTION CONCEPTS NEMÁ MOŽNOST OVLIVNIT, NEBO NA VÝROBKÝ OPRAVENÉ KÝMKOLI JINÝM NEŽ PRODEJCEM OPRAVNĚNÝM SPOLEČNOSTÍ INVACARE / MOTION CONCEPTS, PŘIČEMŽ PŘÍSLUŠNĚ INDIVIDUÁLNÍ POSOUZENÍ NÁLEŽÍ VÝLUČNĚ SPOLEČNOSTI INVACARE / MOTION CONCEPTS. VÝŠE UVEDENÁ ZÁRUKA JE VÝLUČNĚ A NAHRAZUJE VŠECHNY OSTATNÍ VÝSLOVNĚ ZÁRUKY, A POKUD EXISTUJÍ, I VŠECHNY PŘEDPOKLÁDANÉ ZÁRUKY PRODEJNOSTI A VHODNOSTI PRO KONKRÉTNÍ ÚČEL. ZÁRUKU NELZE PRODLOUŽIT NA DELŠÍ DOBU, NEŽ KTERÁ JE VÝSLOVNĚ UVEDENA VÝŠE, PŘIČEMŽ NÁHRADA ZA ŠKODY VYPLYVAJÍCÍ Z JAKÉKOLI PŘEDPOKLÁDANÉ ZÁRUKY SE OMEZUJE NA OPRAVU NEBO VÝMĚNU VADNÉHO VÝROBKU PODLE ZDE UVEDENÝCH PODMÍNEK. SPOLEČNOST INVACARE / MOTION CONCEPTS NENESE ODPOVĚDNOST ZA ŽÁDNÉ NÁSLEDNĚ NEBO NÁHODNÉ ŠKODY JAKÉHOKOLI DRUHU. TUTO ZÁRUKU JE VŠAK MOŽNĚ PRODLOUŽIT TEHDY, VYŽADUJÍ-LI TO ZÁKONY NEBO PŘEDPISY PŘÍSLUŠNÉHO STÁTU / PŘÍSLUŠNÉ ZEMĚ.

Bez předchozího písemného souhlasu společnosti Motion Concepts nebo jejich zákonných zástupců se tento návod, celý nebo jeho části, nesmí reprodukovat či znovu tisknout.


Tento návod k použití je sestaven na základě nejnovějších specifikací a informací o výrobku, které byly dostupné v době jeho publikace. Vyhrazujeme si právo provádět jakékoli změny, pokud to bude nutné. Jakékoli změny našich výrobků mohou vést k menším rozdílům mezi ilustracemi a informacemi uvedenými v tomto návodu a vámi zakoupeným výrobkem. Budete-li mít jakékoli dotazy nebo pochybnosti ohledně informací uvedených v tomto návodu, požádejte o pomoc naše oddělení zákaznických služeb.


Obsah


- 1.0 Všeobecná varování
- 2.0 Bezpečnostní informace
- 3.0 Instalace/seřízení opěradla MX2 – **pevná montáž**
- 4.0 Instalace/seřízení opěradla MX2 – **odnímatelná montáž**
- 5.0 Pokyny pro péči a údržbu
- 6.0 Doplnky k opěradlu MX2


BEZPEČNOSTNÍ SYMBOLY:

Správné sestavení a bezpečné používání opěradla Matrix MX2 závisí na vašem vlastním správném úsudku a zdravém rozumu i na úsudku vašeho poskytovatele, pečovatele a/nebo profesionálního zdravotníka. Následující symboly v tomto návodu k použití označují varování, upozornění a důležité poznámky. Je velmi důležité, abyste si je všechny přečetli a dobře je pochopili.

 **UPOZORNĚNÍ!** Jestliže nebudete dbát upozornění v tomto návodu, může dojít poškození vašeho výrobku pro sezení Matrix.

 **VAROVÁNÍ!** Jestliže nebudete dbát varování v tomto návodu, může dojít k poranění osob.

 **DŮLEŽITÉ!** Důležité informace, na které je třeba pamatovat při instalaci a sestavování vašeho výrobku pro sezení Matrix.

 **DŮLEŽITÉ!** Další bezpečnostní informace, varování a upozornění týkající se obsluhy vašeho invalidního vozíku najdete v uživatelské příručce / příručce k obsluze invalidního vozíku.

1.0 VŠEOBECNÁ VAROVÁNÍ/INFORMACE

1.1 Přehled

▲ VAROVÁNÍ PRO UŽIVATELE!

TENTO VÝROBEK ANI ŽÁDNÉ DOSTUPNÉ DOPLŇKOVÉ VYBAVENÍ NEPOUŽÍVEJTE, ANIŽ BYSTE SE PŘEDEM DŮKLADNĚ OBEZNÁMILI S TÍMTO NÁVODEM A S VEŠKERÝMI DODATEČNÝMI INSTRUKTÁŽNÍMI PODKLADY, JAKO JSOU UŽIVATELSKÉ PŘÍRUČKY, SERVISNÍ PŘÍRUČKY NEBO INFORMAČNÍ LISTY DODANÉ S TÍMTO VÝROBKEM NEBO S DOPLŇKOVÝM VYBAVENÍM. NEBUDOU-LI PRO VÁS VAROVÁNÍ, UPOZORNĚNÍ NEBO POKYNY SROZUMITELNÉ, OBRAŤTE SE NA PROFESIONÁLNÍHO ZDRAVOTNÍKA, PRODEJCE NEBO ODBORNÉHO TECHNIKA DŘÍVE, NEŽ SE POKUSÍTE VÝROBEK POUŽÍT – V OPAČNÉM PŘÍPADĚ MŮŽE DOJÍT K ÚRAZU NEBO KE VZNIKU ŠKODY.

i DŮLEŽITÉ INFORMACE

Nejlepším způsobem, jak zamezit vzniku problémů souvisejících s otlaky, je znát jejich příčiny a dodržovat zásady péče o pokožku. S případnými dotazy týkajícími se individuálních omezení a potřeb byste se měli obrátit na svého terapeuta a ošetřujícího lékaře.

Výběru veškerého polstrování opěradla by měla být věnována náležitá pozornost. Spolupráce s vaším terapeutem a ošetřujícím lékařem představuje nejlepší způsob, jak zajistit, aby výběr polstrování odpovídal vašim individuálním potřebám. Jsou-li vaše individuální potřeby komplexnější, je důležitější i jejich správné posouzení.

Opěradla Invacare® MatrX® MX2

Opěradlo Invacare® MatrX® MX2 je tvarováno tak, aby po nainstalování na invalidní vozík umožňovalo přesné nastavení polohy, a poskytovalo tak tělu optimální oporu. Pěnová vrstva je nadměrně velká, aby poskytovala zvýšenou míru komfortu i ochrany.

Opěradlo Invacare® MatrX® MX2 má přestavitelnou pěnovou bederní podložku, kterou je možné nainstalovat/vložit za stávající pěnové polstrování, čímž získáte dodatečné možnosti při nastavování polohy. Informace naleznete v **části 6.0 – Bederní opěrka**.

Vnější potah je vyroben z prodyšného síťovitého materiálu v kombinaci s koženkovým materiálem pro lepší trvanlivost potahu. Doporučuje se vnější potah pravidelně čistit a kontrolovat. Informace naleznete v **části 5.0 – Péče a údržba**.

1.2 Položky podléhající opotřebení

i DŮLEŽITÉ! Mezi položky a součásti, které podléhají běžnému opotřebení, mimo jiné patří: veškeré čalouněné položky, včetně čalounění a polstrování opěradla.

Společnost Invacare si vyhrazuje právo vyžádat si zpět jakékoli položky, které mohou mít vadu v provedení. Konkrétní informace o záruce naleznete v **zásadách poskytnutí záruky** (zadní strana).

Plán preventivní údržby a správného používání výrobku naleznete v tomto návodu k použití. Jedná se pouze o obecné pokyny, které se netýkají položek poškozených v důsledku nesprávného použití. Životnost výrobku závisí na mnoha faktorech.

1.3 Účel použití

Opěradla Invacare® MatrX® MX2 jsou navržena tak, aby po nainstalování na invalidní vozík umožňovala přesné nastavení polohy, a poskytovala tak tělu optimální oporu.

2.0 BEZPEČNOSTNÍ INFORMACE

2.1 Varování týkající se přepravy!

▲ VAROVÁNÍ!

Nebezpečí závažného úrazu při přepravě osoby na invalidním vozíku vybaveným opěradlem Invacare® Matrix® MX2 pomocí motorového vozidla.

- Kdykoli je to prakticky možné, společnost Invacare doporučuje, aby byl uživatel přemístěn z invalidního vozíku na sedadlo vozidla a upoután pomocí tříbodového bezpečnostního pásu.
- Opěradla Invacare® Matrix® MX2 se smí používat pouze ve spojení s invalidními vozíky, které splňují funkční požadavky norem RESNA WC19 nebo ISO 7176–19.
- Pokyny pro bezpečnou přepravu uživatele v invalidním vozíku pomocí motorového vozidla naleznete v návodech k použití invalidního vozíku, systému upoutání a zádržného systému pro zabezpečení uživatele (WTORS).

2.2 Všeobecná bezpečnost

▲ VAROVÁNÍ! Nebezpečí poškození, závažného úrazu nebo úmrtí

Nesprávné používání tohoto výrobku může vést k úrazu nebo poškození. Nebudou-li pro vás varování, upozornění nebo pokyny srozumitelné, obraťte se na profesionálního zdravotníka nebo prodejce dříve, než se pokusíte výrobek použít. NEPOUŽÍVEJTE tento výrobek ani žádné dostupné doplňkové vybavení, aniž byste se předem důkladně obeznámili s příslušným návodem a s veškerými dodatečnými instruktážními podklady, jako jsou návod k použití, servisní příručky nebo informační listy dodané s tímto výrobkem nebo s doplňkovým vybavením.

▲ VAROVÁNÍ! Nebezpečí poškození, závažného úrazu nebo úmrtí

Pokud na čalounění sedadla upadne zapálená cigareta, hrozí riziko požáru, který může vést k poškození, závažnému úrazu nebo úmrtí. Nebezpečí závažného úrazu nebo úmrtí v důsledku takových požárů a vznikajících zplodin jsou vystaveni zejména uživatelé invalidního vozíku, protože nemusí být schopni invalidní vozík opustit.

- Při používání tohoto invalidního vozíku NEKUŘTE.

▲ VAROVÁNÍ! Nebezpečí úrazu

Výrobky Invacare® Matrix® jsou výslovně určeny a uzpůsobeny k použití společně s příslušenstvím Invacare® Matrix®. Příslušenství navržené jinými výrobci nebylo společností Invacare přezkoušeno a jeho použití společně s výrobky Invacare® Matrix® se nedoporučuje.

▲ VAROVÁNÍ! Nebezpečí úrazu

Po instalaci jakéhokoli nového sedacího systému je třeba často kontrolovat stav pokožky. S případnými dotazy týkajícími se individuálních omezení a potřeb byste se měli obrátit na svého terapeuta a ošetřujícího lékaře. Jsou-li vaše individuální potřeby komplexnější, je důležitější i jejich správné posouzení.

2.0 BEZPEČNOSTNÍ INFORMACE

2.3 Varování týkající se instalace

▲ VAROVÁNÍ! Nebezpečí závažného úrazu

Při určování montážní polohy opěradla Invacare® Matrix® MX2 je nutné zajistit, aby nedošlo ke zhoršení stability invalidního vozíku. Změnou nastavení přední a zadní polohy opěradla se změní poloha těžiště uživatele invalidního vozíku. Posunutí opěradla do zadní polohy může významně snížit stabilitu invalidního vozíku při náklonu dozadu. Obdobně i posunutí opěradla dopředu sníží stabilitu invalidního vozíku při náklonu dopředu.

▲ VAROVÁNÍ! Nebezpečí závažného úrazu nebo poškození

- Postupy uvedené v tomto návodu by měl provádět kvalifikovaný technik.
- Nedostatečně zajištěné montážní příslušenství může vést ke ztrátě stability, což může mít za následek poškození nebo závažný úraz.
- Po provedení JAKÝCHKOLI seřízení, oprav nebo servisních zásahů a rovněž před každým použitím se ujistěte, že veškeré spojovací příslušenství je bezpečně utažené.
- Sestavu opěradla Invacare® Matrix® MX2 NEINSTALUJTE na zadní svislé trubky, jejichž vnější průměr je větší než 25 mm (1 palec) nebo menší než 19 mm (3/4 palce). V opačném případě může dojít k úrazu nebo ke vzniku škodě.
- Opěradlo Invacare® Matrix® MX2 není určeno k použití s elektricky ovládanými sedadly.
- Montážní poloha opěradla Invacare® Matrix® MX2 přímo souvisí se stabilitou invalidního vozíku. V takovém případě může být před použitím nezbytné upravit polohu předních koleček, zadních kol, upravit úhel sklonu opěradla, v rozsahu náklonu, zakloněné polohy a/nebo hloubky sedadla.
- Dříve než začnete invalidní vozík používat, ujistěte se, že opěradlo Invacare® Matrix® MX2 je řádně zajištěno. V opačném případě může dojít k úrazu nebo ke vzniku škody.

▲ VAROVÁNÍ! Nebezpečí závažného úrazu nebo poškození

Dodávané montážní příslušenství se vyrábí z vysoce pevných materiálů a podstupuje zkoušky trvanlivosti. **Montážní příslušenství NENAHRAZUJTE.** Používejte pouze dodané originální příslušenství Matrix MX2.

2.4 Rozměry /nosnost opěradla:

KONFIGURACE MODELU	POPIS	HLOUBKA TVARU URČENÉHO OBRYSEM	NOSNOST
IMX2ššvv	Opěradlo Matrix MX2	76 mm (3 palce)	113 kg (250 lb)

* ššvv = šířka/výška

Dostupné rozměry: Šířka: 355 mm – 460 mm (14 palců – 18 palců)
Výška: 150 mm (6 palců), 230 mm (9 palců), 310 mm (12 palců),
410 mm (16 palců)

Požádejte svého prodejce nebo terapeuta, aby vám pomohl vybrat vhodný model/rozměr opěradla s ohledem na vaše individuální potřeby. Podrobnější informace o opěradlech Matrix, včetně všech dostupných modelů/rozměrů, naleznete na webových stránkách www.motionconcepts.com nebo www.invacare.com.

3.0 INSTALACE OPĚRADLA MX2 – PEVNÁ MONTÁŽ

3.1 Sada příslušenství pro pevnou montáž

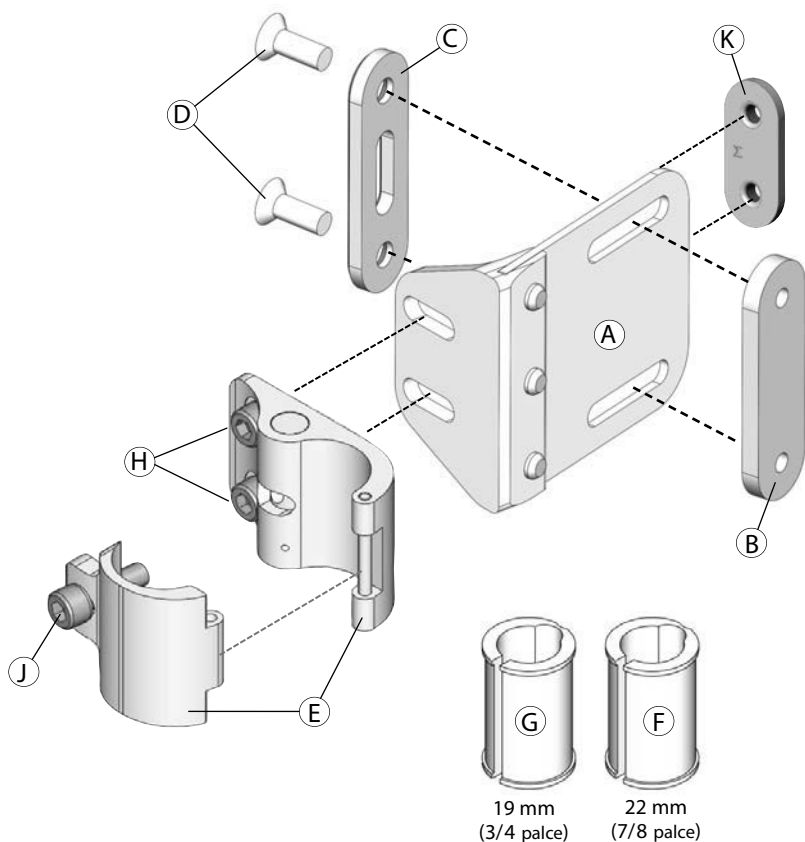
i) Sestava montážního držáku (instaluje se na zadní plášť MX2):

- | | |
|--|--|
| 2 – Pevné montážní držáky (A) | 2 – Podložkové destičky pro pevné držáky (C) |
| 2 – Maticové destičky pro pevné držáky (B) | 4 – Šrouby pro pevné držáky (D) |

ii) Sestava upínačů na zadní svislé trubky (instaluje se na zadní svislé trubky invalidního vozíku):

- | | |
|--|--|
| 2 – Upínač na zadní svislou trubku (E) | 4 – Šrouby pro seřizování hloubky/záklonu (H) |
| 2 – Vložky pro zadní svislé trubky 22 mm (7/8 palce) (F) | 2 – Šrouby upínačů na zadní svislé trubky (J) |
| 2 – Vložky pro zadní svislé trubky 19 mm (3/4 palce) (G) | 2 – Maticové destičky upínačů na zadní svislé trubky (K) |

(znázorněna je sestava příslušenství pro pravou stranu)



3.0 INSTALACE OPĚRADLA MX2 – PEVNÁ MONTÁŽ

3.2 Potřebné nářadí

Šestihranný klíč (4 mm/5 mm) (v rozsahu dodávky)

Měřicí pásmo/pravítko

! POZNÁMKA

Pokud kterákoli ze součástí chybí nebo je nesprávně umístěna, obraťte se na naše oddělení zákaznických služeb, které zajistí, aby vám byly zaslány nezbytné náhradní součásti.

3.3 Instalace pevného montážního držáku MX2:

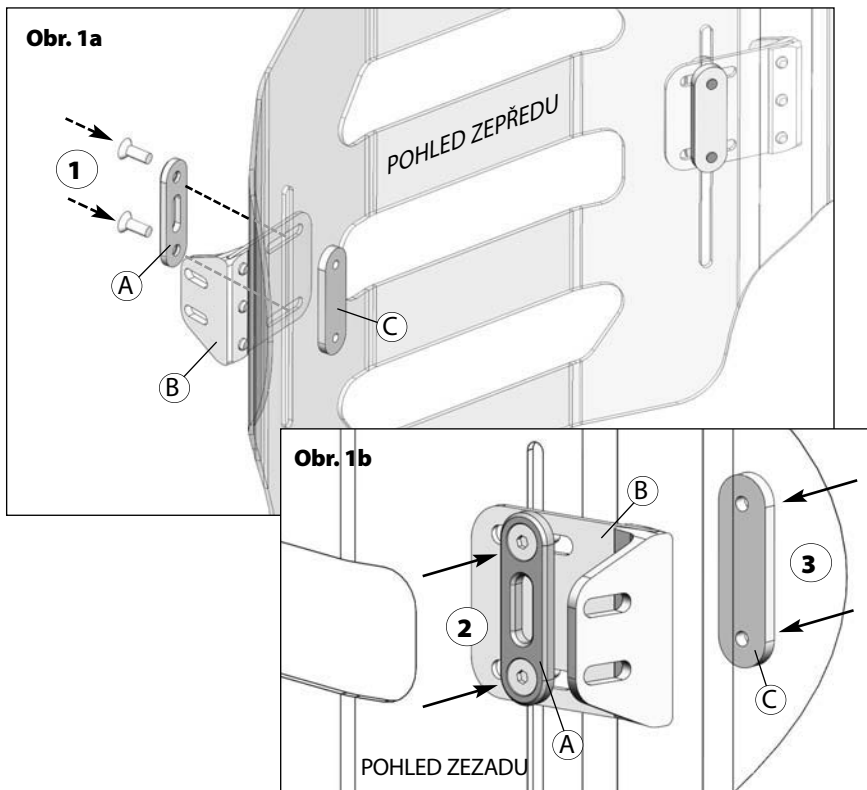
i POZNÁMKA: Postup před instalací pevných montážních držáků

Uvolněte upevňovací suché zipy podél dolní hrany a uvnitř zadního pláště a opatrně sundejte nebo uvolněte potah MX2.

- 1 Nainstalujte pevný montážní držák na jednu stranu zadního pláště opěradla Invacare® Matrx® MX2. Postupujte následovně:
 - Vyrovnajte podložkovou destičku (A) s otvory v pevném montážním držáku (B) a skrz obě součástky prostrčte šrouby (1); (viz obr. 1a).
 - 2 šrouby, které vyčnívají z montážního držáku, prostrčte ze zadní strany zadního pláště skrz svislý otvor v zadním plášti MX2 (2); (viz obr. 1b).
 - Montážní držák upevněte k zadnímu plášti MX2 zašroubováním šroubů do maticové destičky (C) na přední (vnitřní) straně zadního pláště (3); (viz obr. 1b).
- 2 Nainstalujte druhý pevný montážní držák na protější stranu zadního pláště (jako ve výše uvedeném kroku 1).

3.0 INSTALACE OPĚRADLA MX2 – PEVNÁ MONTÁŽ

Instalace pevného montážního držáku



3.4 Postup před instalací: orientace upínačů MX2 na zadních svislých trubkách:

i DŮLEŽITÉ! Před instalací upínačů MX2 na zadní svislé trubky je třeba nejprve určit jejich orientaci.

U **standardní konfigurace** jsou upínače na zadní svislé trubky (A) již sestaveny a upevněny k zadním svislým trubkám v poloze *zcela vzadu*. Tato konfigurace nabízí maximální možnou hloubka sedadla invalidního vozíku – viz **obr. 2a**.

U **převrácené konfigurace*** jsou upínače (A) na zadních svislých trubkách otočeny o 180°. Tato konfigurace nabízí minimální možnou hloubka sedadla a umístění opěradla MX2 *více vpředu*, pokud je to potřeba – viz **obr. 2b**.

Upínače na zadní svislé trubky (A) umožňují seřízení v rozsahu **38 mm (1,5 palce)** dopředu nebo dozadu (vzhledem k poloze zadní svislé trubky) v závislosti na zvolené montážní konfiguraci.

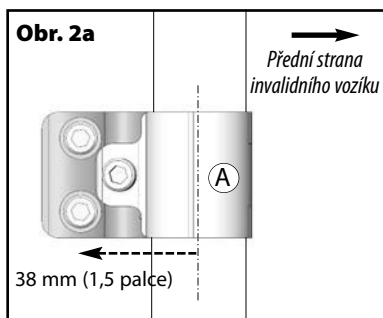
3.0 INSTALACE OPĚRADLA MX2 – PEVNÁ MONTÁŽ

3.4 Postup před instalací: orientace upínačů MX2 na zadních svislých trubkách ...pokračování

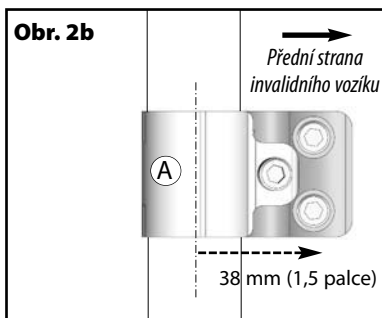
! VAROVÁNÍ! Nebezpečí závažného úrazu

Při určování konečné montážní polohy opěradla Invacare® Matrix® MX2 je nutné zajistit, aby nedošlo ke zhoršení stability invalidního vozíku. Změnou nastavení přední a zadní polohy opěradla se změni poloha těžiště uživatele na invalidním vozíku. Posunutí opěradla do zadní polohy může významně snížit stabilitu invalidního vozíku při náklonu dozadu. Obdobně i posunutí opěradla dopředu sníží stabilitu invalidního vozíku při náklonu dopředu.

Orientace upínačů MX2 na zadních svislých trubkách



Standardní konfigurace upínače na zadní svislé trubce
(maximální hloubka sedadla)



Převrácená konfigurace upínače na zadní svislé trubce
(minimální hloubka sedadla)

3.5 Instalace upínačů MX2 na zadní svislé trubky:

Upínače MX2 na zadní svislé trubky jsou navrženy tak, aby je bylo možné instalovat na zadní svislé trubky o průměru 25 mm (1 palec), 22 mm (7/8 palce) a 19 mm (3/4 palce). (Pro upevnění na zadní svislé trubky menšího průměru jsou k dispozici plastové vložky (A)*).

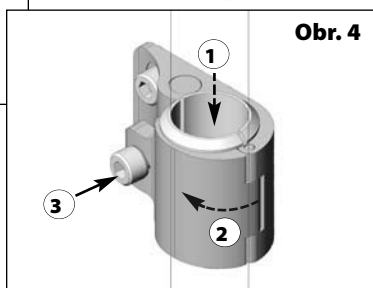
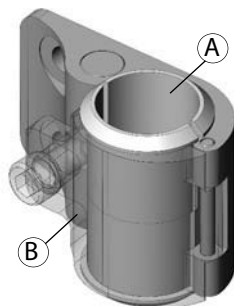
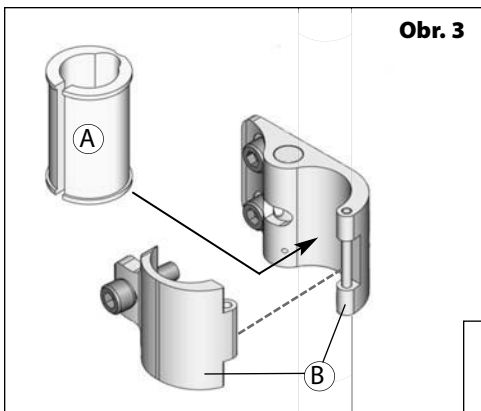
- 1 Odstraňte stávající opěradlo invalidního vozíku (je-li použito).
- 2 Na každou zadní svislou trubku volně uchyťte sestavu upínače (B) v požadované poloze – přehled instalace viz obr. 3 a obr. 4.

*Upevnění na zadní svislé trubky různých velikostí:

- 25mm (1palcové) svislé trubky – žádné plastové vložky nejsou potřeba
- 22mm (7/8palcové) svislé trubky – použijte 22mm (7/8palcové) plastové vložky (2 kusy)
- 19mm (3/4palcové) svislé trubky – použijte 19mm (3/4palcové) plastové vložky (2 kusy)

3.0 INSTALACE OPĚRADLA MX2 – PEVNÁ MONTÁŽ

Instalace upínačů MX2 na zadní svislé trubky



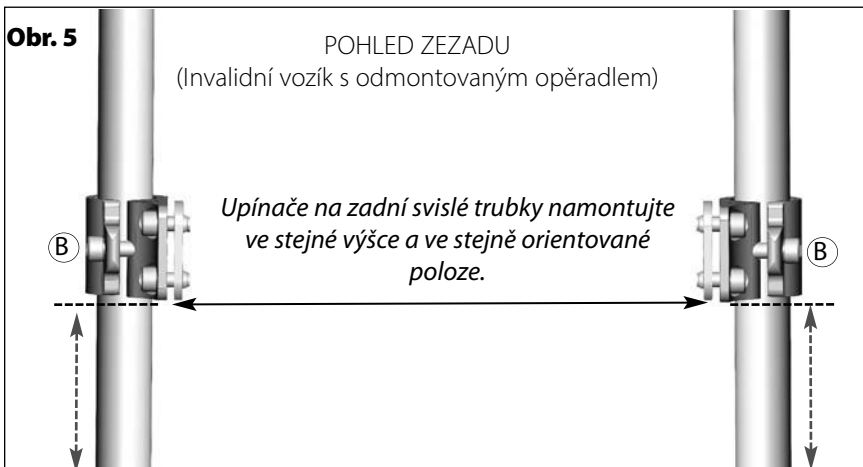
UŽITEČNÁ RADA

Na zadní svislé trubky a na vnitřní stranu plastových vložek nastříkejte trochu spreje na vlasy; spoj pak bude pevný a nebude klouzat.

- 3 Posuňte/seřídte sestavu upínače (B) na zadní svislé trubce do požadované výšky/položky nejprve na jedné straně a dobře ji v dané poloze upevněte.

Poznámka: Konečnou výšku opěradla lze ještě seřídit/doladit po instalaci zadního pláště MX2 na upínače na zadních svislých trubkách (viz obr. 5).

Seřízení výšky upínačů MX2 na zadních svislých trubkách



3.0 INSTALACE OPĚRADLA MX2 – PEVNÁ MONTÁŽ

3.5 Instalace upínačů MX2 na zadní svislé trubky: (...pokračování)

- 4 Od pevného bodu na invalidním vozíku (např. od rámu sedadla / výztužné příčky) odměřte výšku prvního upínače (B) na zadní svislé trubce a druhý upínač (B) upevněte ve stejné výšce na protější zadní svislou trubku (viz obr. 5).

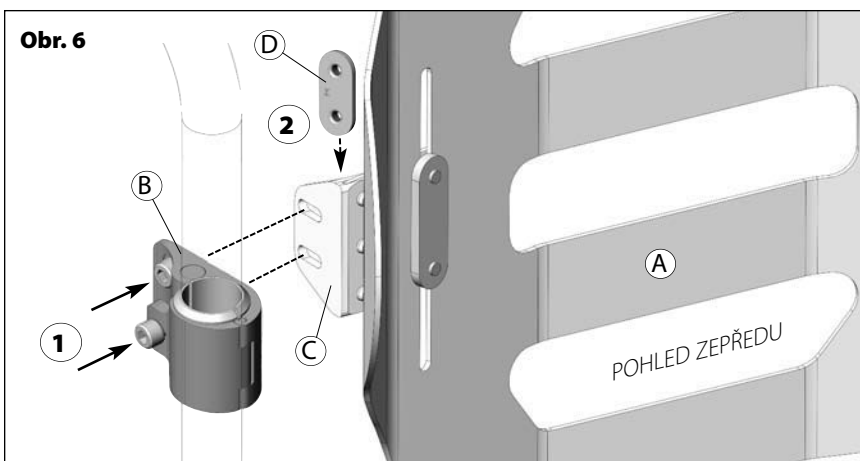
Poznámka: Ujistěte se, že upínače namontované na zadních svislých trubkách jsou vyrovnány ve stejné orientované poloze.

3.6 Instalace opěradla MX2 na pevné upínače na zadních svislých trubkách:

- 1 Namontujte jednu stranu zadního pláště opěradla Matrix MX2 (A) k upínači na zadní svislé trubce* (viz obr. 6):
 - Vyrovnajte 2 montážní šrouby v sestavě upínače na zadní svislé trubce (B) s příslušnými otvory v pevném montážním držáku MX2 (C) (1).
 - Upevněte sestavu upínače na zadní svislé trubce k montážnímu držáku MX2 pomocí dodané maticové destičky (D) (2).
 - Zopakujte kroky (1) a (2) a upevněte zadní plášť MX2 k upínači na protější zadní svislé trubce.

***POZNÁMKA:** Před instalací opěradla Matrix MX2 na upínače na zadních svislých trubkách je třeba trochu povolit pevný montážní držák, aby bylo možné snáze vyrovnat a namontovat zadní plášť. Podrobnější pokyny pro seřízení šířky/výšky viz část 3.7 (obr. 8).

Instalace opěradla MX2: příslušenství pro pevnou montáž



3.0 INSTALACE OPĚRADLA MX2 – PEVNÁ MONTÁŽ

3.7 Seřízení opěradla MX2 – pevná montáž:

i DŮLEŽITÉ! Pevné montážní držáky MX2 jsou určeny k instalaci na zadní svislé trubky, které jsou až o 25 mm (1 palec) širší **nebo** o 25 mm (1 palec) užší než jmenovitá šířka opěradla. U standardní konfigurace má být opěradlo MX2 nainstalováno symetricky (uprostřed) mezi zadními svislými trubkami.

i DŮLEŽITÉ! Aby bylo možné určit optimální nastavení hloubky/výšky/sklonu opěradla, měl by uživatel při nastavování sedět na invalidním vozíku.

- 1 Po instalaci zadního pláště MX2 na invalidní vozík (upínače na zadních svislých trubkách) lze konečnou hloubku, výšku/šířku a úhel sklonu opěradla MX2 ještě upravit tak, jak to bude konečnému uživateli vyhovovat:

i. **Seřízení hloubky:** Hloubka opěradla MX2 (vzhledem k upínačům na zadních svislých trubkách) se ovládá pomocí dvou samostatných seřizovacích mechanismů:

Orientace upínačů MX2 na zadních svislých trubkách: (viz také část 3.4)

Orientace upínačů MX2 na zadních svislých trubkách (instalace zcela vpředu nebo zcela vzadu) určí polohu zadního pláště (+/- 38 mm (1,5 palce)) vzhledem k zadním svislým trubkám (1). Viz obr. 7a.

Maximální rozsah seřízení hloubky směrem dopředu a dozadu u příslušenství pro pevnou montáž MX2 = 76 mm (3 palce) (+/- 38 mm (1,5 palce)).

Montážní desky MX2:

Podlouhlé štěrby v montážních deskách MX2 umožňují upravit hloubku až o 13 mm (1/2 palce) (2) v maximálním rozsahu seřízení. Viz obr. 7b.

ii. **Seřízení šířky/výšky:** S ohledem na různé vzdálenosti mezi zadními svislými trubkami lze nastavení šířky doladit pomocí vodorovných otvorů v montážních držácích MX2 (1). Výšku opěradla MX2 (vzhledem k zadním svislým trubkám) lze seřídít pomocí svislých otvorů v zadním plášti MX2 (2). Délka otvoru (seřízení výšky) se liší v závislosti na velikosti (výšce) zadního pláště. Viz obr. 8a a 8b.

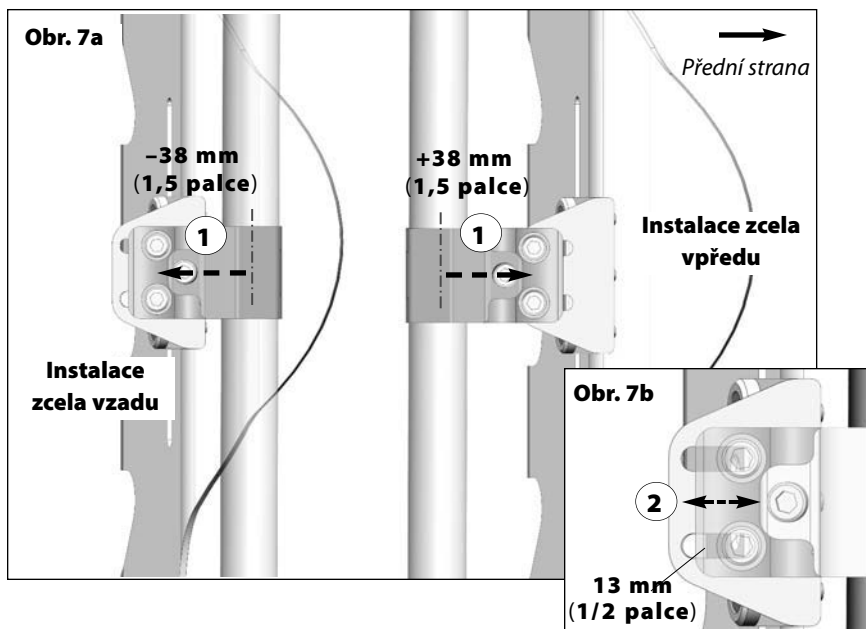
iii. **Seřízení úhlu sklonu:** Seřízení úhlu sklonu o $\pm 15^\circ$ se provádí natočením zadního pláště dopředu (1) nebo dozadu (2) v rozsahu podlouhlých štěrbin na montážních držácích MX2. Viz obr. 9.

- 2 Zkontrolujte, zda celkové pohodlí, připevnění a seřízení opěradla na invalidním vozíku uživateli vyhovuje. V případě potřeby opěradlo ještě seřídte.
- 3 Veškeré nainstalované/namontované příslušenství dobře upevněte/utáhněte a zkontrolujte, že montážní držáky MX2 / upínače na zadních svislých trubkách neprokluzují ani se neprotáčejí.

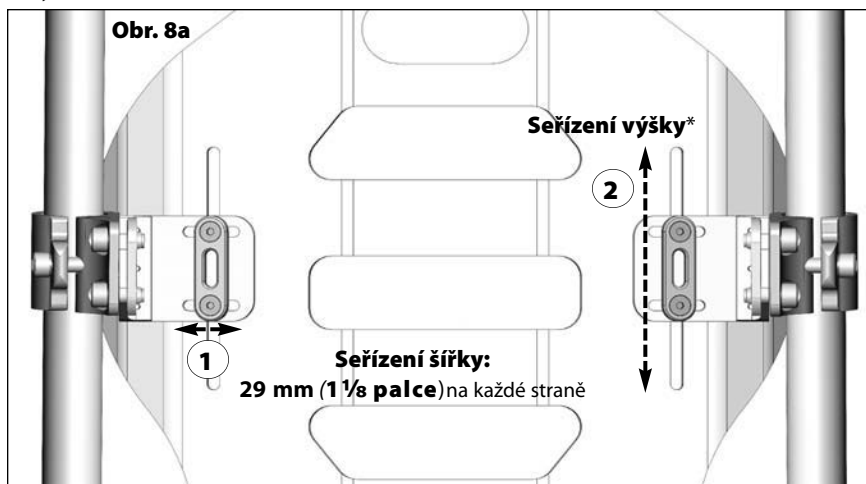
3.0 INSTALACE OPĚRADLA MX2 – PEVNÁ MONTÁŽ

i DŮLEŽITÉ! Pokud není požadováno jinak, mají být všechna seřízení hloubky, výšky a úhlu sklonu provedena souměrně na levé i pravé montážní desce.

Pevná montáž MX2: seřízení HLOUBKY



Pevná montáž MX2: seřízení ŠÍŘKY/VÝŠKY (vzhledem k upínačům na zadních svislých trubkách)



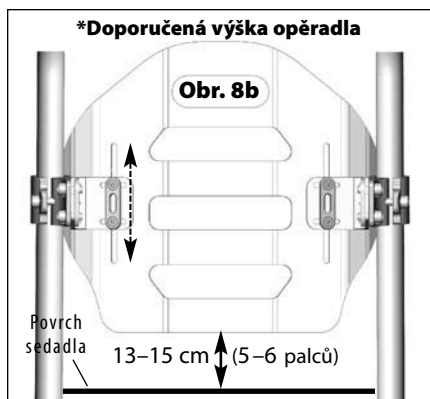
3.0 INSTALACE OPĚRADLA MX2 – PEVNÁ MONTÁŽ

*POZNÁMKA: Rozsah seřízení výšky opěradla MX2 se liší v závislosti na výšce (délce otvorů) na zadním plášti MX2 – viz tabulka 1.0:

Tabulka 1.0:
Seřízení výšky (otvoru) MX2

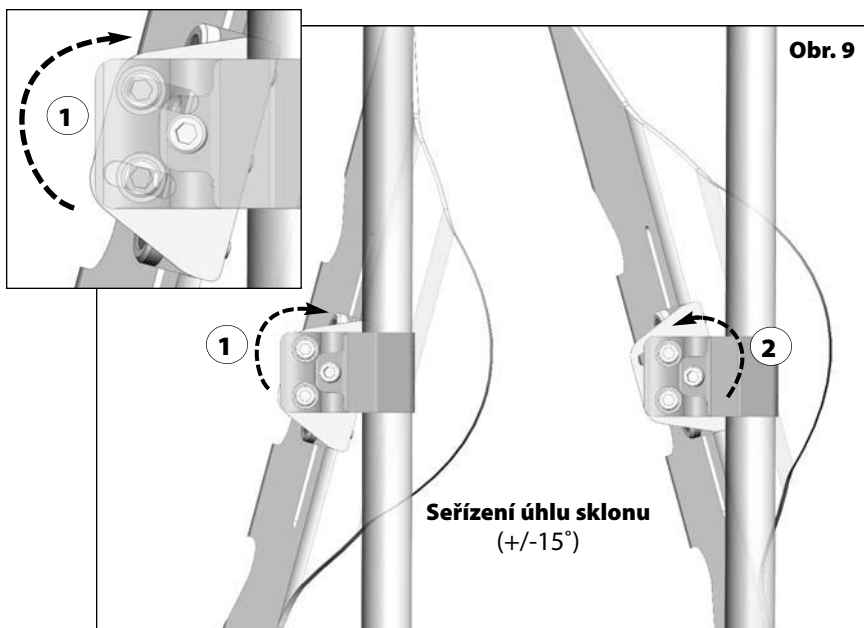
Výška zadního pláště	Rozsah seřízení
150 mm (6 palců)	13 mm (1/2 palce)
230 mm (9 palců)	51 mm (2 palce)
310 mm (12 palců)	51 mm (2 palce)
410 mm (16 palců)	89 mm (3,5 palce)

Poznámka:* Doporučená výška opěradla MX2 je uvedena pouze jako doporučení. Mírné odchylky mohou být nezbytné – viz poznámka **Důležité! níže.



i DŮLEŽITÉ! Vždy zkontrolujte, zda je spodní část opěradla umístěna anatomicky pod hmatným zadním trnem hřbetu kyčelního (PSIS). Budete-li mít jakékoli dotazy nebo pochybnosti ohledně správné výšky opěradla, požádejte o odbornou pomoc svého poskytovatele a/nebo profesionálního pracovníka.

Pevná montáž MX2: seřízení ÚHLU SKLONU OPĚRADLA

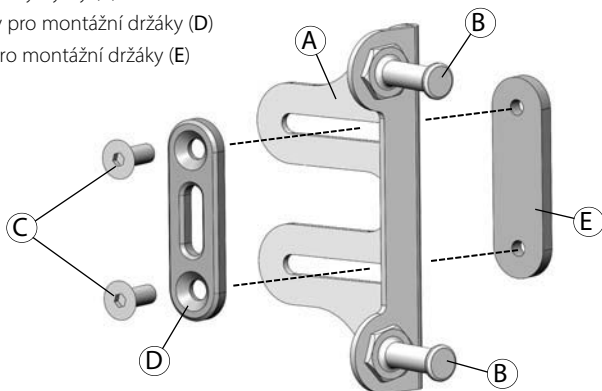


4.0 INSTALACE OPĚRADLA MX2 – ODNÍMATELNÁ MONTÁŽ

4.1 Sada příslušenství pro odnímatelnou (rychloupínací) montáž:

i) Sestava rychloupínacího montážního držáku (instaluje se na zadní plášť MX2):

- 2 – Rychloupínací montážní držáky MX2 (A)
- 4 – Rychloupínací montážní kolíky (B)
- 4 – Šrouby pro seřízení šířky/výšky (C)
- 2 – Podložkové destičky pro montážní držáky (D)
- 2 – Maticové destičky pro montážní držáky (E)

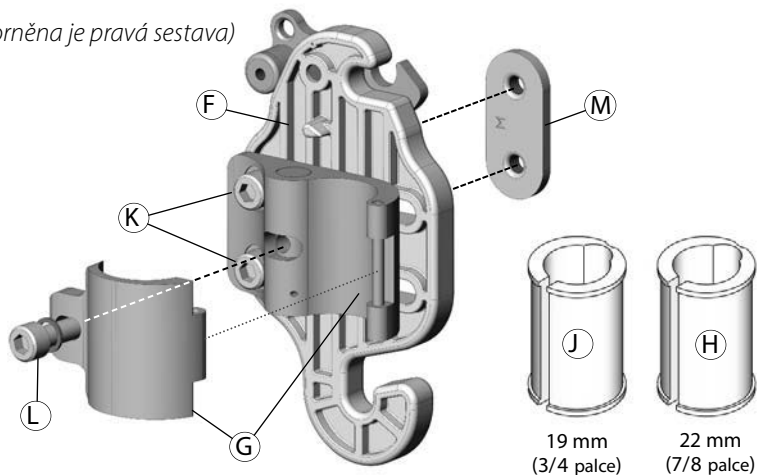


(znázorněna je pravá sestava)

ii) Sestava upínačů na zadní svislé trubky (instaluje se na zadní svislé trubky invalidního vozíku):

- 2 – Malé montážní destičky (F)
- 2 – Upínač na zadní svislou trubku (G)
- 2 – Vložky pro zadní svislé trubky 22 mm (7/8 palce) (H)
- 2 – Vložky pro zadní svislé trubky 19 mm (3/4 palce) (J)
- 4 – Šrouby pro seřízení hloubky / úhlu sklonu (K)
- 2 – Šrouby upínačů na zadní svislé trubky (L)
- 2 – Maticové destičky upínačů na zadní svislé trubky (M)

(znázorněna je pravá sestava)



4.0 INSTALACE OPĚRADLA MX2 – ODNÍMATELNÁ MONTÁŽ

4.2 Potřebné nářadí

Šestihranný klíč (4 mm/5 mm) (v rozsahu dodávky)

Měřicí pásmo/pravítko



POZNÁMKA

Pokud kterákoli ze součástí chybí nebo je nesprávně umístěna, obraťte se na naše oddělení zákaznických služeb, které zajistí, aby vám byly zaslány nezbytné náhradní součásti.

4.3 Instalace rychloupínacího montážního držáku MX2:



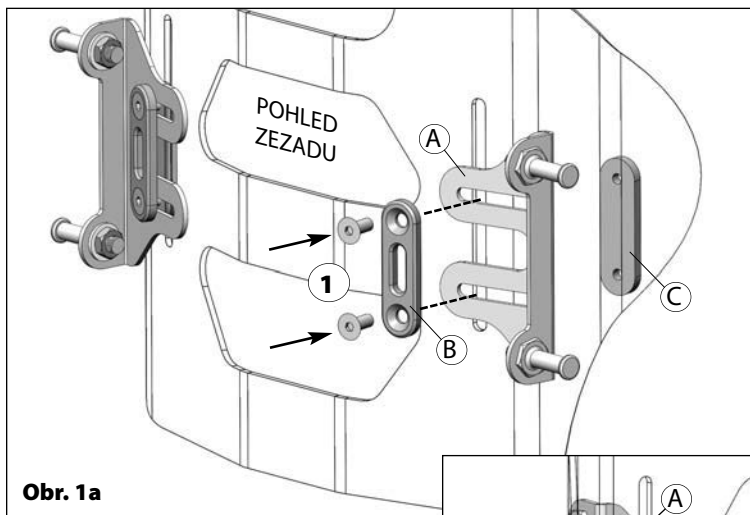
POZNÁMKA: postup před instalací rychloupínacích montážních držáků

Uvolněte upevňovací suché zipy podél horní a dolní hrany a uvnitř zadního pláště a opatrně sundejte potah MX2.

- 1 Nainstalujte rychloupínací montážní držák (A) na jednu stranu zadního pláště Matrx MX2. Postupujte následovně:
 - Vyrovnajte podložkovou destičku (B) s otvory v montážním držáku (A) a skrz obě součástky prostrčte šrouby (1); (viz obr. 1a, str. 18).
 - 2 šrouby, které vyčnívají z montážního držáku, prostrčte ze zadní strany zadního pláště skrz svislý otvor v zadním plášti MX2 (2); (viz obr. 1b).
 - Montážní držák upevněte k zadnímu plášti MX2 zašroubováním šroubů do maticové destičky (D) na přední (vnitřní) straně zadního pláště (3); (viz obr. 1b).
- 2 Nainstalujte druhý rychloupínací montážní držák (A) na protější stranu zadního pláště (jako ve výše uvedeném kroku 1).

4.0 INSTALACE OPĚRADLA MX2 – ODNÍMATELNÁ MONTÁŽ

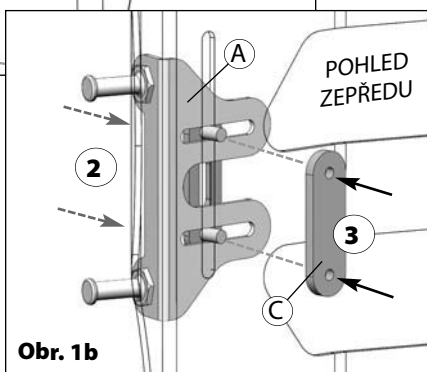
Instalace rychloupínacího montážního držáku



Obr. 1a

UŽITEČNÁ RADA

Rychloupínací montážní držáky / příslušenství lze volně smontovat se zadním pláštěm MX2, což usnadní vyrovnání držáků (šířky/výšky) během instalace na montážní desky MX2.



Obr. 1b

4.4 Postup před instalací: orientace upínačů MX2 na zadních svislých trubkách

! **DŮLEŽITÉ!** Před instalací sestav upínačů MX2 na zadní svislé trubky je třeba nejprve určit jejich orientaci.

! **VAROVÁNÍ!** Nebezpečí závažného úrazu

Při určování konečné montážní polohy opěradla Invacare® Matrix® MX2 je nutné zajistit, aby nedošlo ke zhoršení stability invalidního vozíku. Změnou nastavení přední a zadní polohy opěradla se změní poloha těžiště uživatele na invalidním vozíku. Posunutí opěradla do zadní polohy může významně snížit stabilitu invalidního vozíku při náklonu dozadu. Obdobně i posunutí opěradla dopředu sníží stabilitu invalidního vozíku při náklonu dopředu.

4.0 INSTALACE OPĚRADLA MX2 – ODNÍMATELNÁ MONTÁŽ

U **standardní konfigurace** jsou upínače MX2 na zadní svislé trubky (A) a montážní desky (B) již sestaveny a upevněny k zadním svislým trubkám v poloze zcela vzadu. Tato konfigurace nabízí maximální možnou hloubku sedadla invalidního vozíku – viz obr. 2.

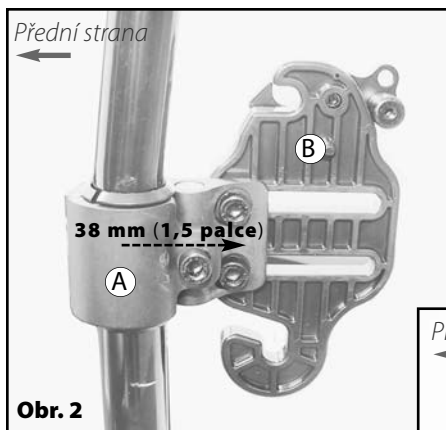
U **převrácené konfigurace*** jsou upínače (A) na zadních svislých trubkách otočeny o 180°. Tato konfigurace nabízí minimální možnou hloubku sedadla a umístění opěradla MX2 více vpředu, pokud je to potřeba – viz obr. 3.

Upínače na zadní svislé trubky (A) umožňují seřízení v rozsahu 38 mm (1,5 palce) dopředu nebo dozadu (vzhledem k poloze zadní svislé trubky) v závislosti na zvolené montážní konfiguraci.

Poznámka: Podrobnější pokyny pro seřízení hloubky opěradla MX2 s odnímatelnou montáží viz část 4.8.

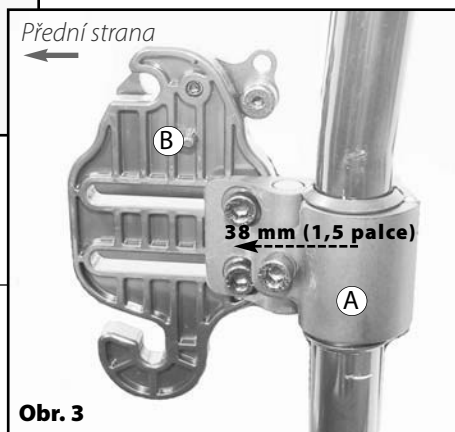
***Postup při změně orientace montážní desky / upínače na zadní svislé trubky do polohy zcela vpředu:**

- 1 Odmontujte montážní desku (B) od upínače na zadní svislé trubce (A) (2 šrouby).
- 2 Otočte upínač na zadní svislé trubce (A) o 180° a poté ve stejné orientaci namontujte montážní desku (B) zpět (jak je znázorněno na obr. 3).



**Standardní konfigurace
upínače na zadní svislé
trubce**
(maximální hloubka sedadla)

**Převrácená konfigurace
upínače na zadní svislé
trubce**
(minimální hloubka sedadla)



4.0 INSTALACE OPĚRADLA MX2 – ODNÍMATELNÁ MONTÁŽ

4.5 Instalace montážních desek/upínačů MX2 na zadní svislé trubky:

Upínače MX2 na zadní svislé trubky jsou navrženy tak, aby je bylo možné instalovat na zadní svislé trubky o průměru 25 mm (1 palec), 22 mm (7/8 palce) a 19 mm (3/4 palce). (Pro upevnění na zadní svislé trubky menšího průměru jsou k dispozici plastové vložky (A)*).

- 1 Odstraňte stávající opěradlo invalidního vozíku (je-li použito).
- 2 Na každou zadní svislou trubku volně uchyťte sestavu upínače (B) v požadované konfiguraci – přehled instalace viz obr. 4 a obr. 5.

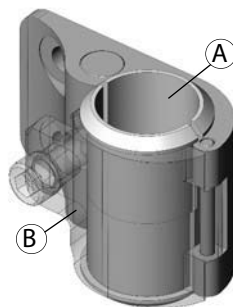
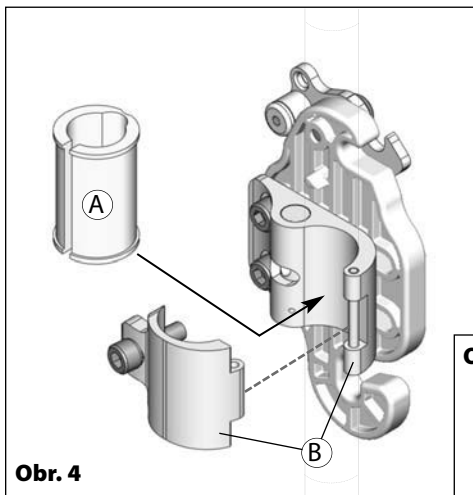
*Upevnění na zadní svislé trubky různých velikostí:

25mm (1palcové) svislé trubky – plastové vložky nejsou potřeba

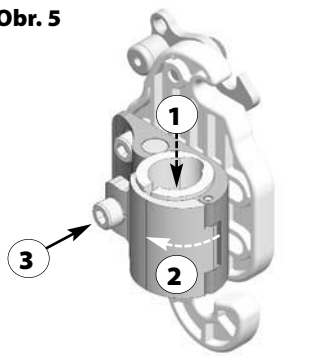
22mm (7/8palcové) svislé trubky – použijte 22mm (7/8palcové) plastové vložky (2 kusy)

19mm (3/4palcové) svislé trubky – použijte 19mm (3/4palcové) plastové vložky (2 kusy)

Instalace upínačů MX2 na zadní svislé trubky



Obr. 5



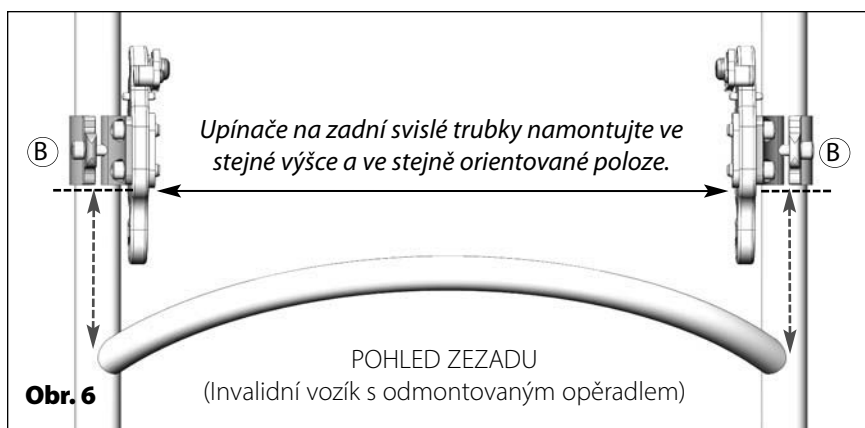
UŽITEČNÁ RADA

Na zadní svislé trubky a na vnitřní stranu plastových vložek nastříkejte trochu spreje na vlasy; spoj pak bude pevný a nebude klouzat.

4.0 INSTALACE OPĚRADLA MX2 – ODNÍMATELNÁ MONTÁŽ

- 3 Posuňte/seřídte sestavu upínače (B) na zadní svislé trubce do požadované výšky/polohy nejprve na jedné straně a dobře ji v dané poloze upevněte.
Poznámka: Konečnou výšku opěradla lze ještě seřídit/doladit po instalaci zadního pláště MX2 na montážní desky.
- 4 Od pevného bodu na invalidním vozíku (např. od rámu sedadla / výztužné příčky) odměřte výšku první sestavy upínače na zadní svislé trubce a druhý upínač upevněte ve stejné výšce na protější zadní svislou trubku – viz obr. 6 níže.
Poznámka: Ujistěte se, že nainstalované upínače na zadních svislých trubkách / montážní desky jsou vyrovnány ve stejné orientované poloze.

Seřízení výšky montážních desek / upínačů MX2 na zadních svislých trubkách



4.6 Instalace opěradla MX2 na rychloupínací příslušenství

VAROVÁNÍ! Nesprávné nastavení montážních kolíků může způsobit poškození výlisku opěradla a/nebo montážních desek. Ujistěte se, že je mezi montážní deskou a hlavou montážních kolíků dostatečný prostor (doporučená minimální velikost mezery 3 mm (1/8 palce)).

VAROVÁNÍ! NIKDY na montážní příslušenství nepoužívejte přípravky Loctite; mohlo by dojít k poškození a zvýšení křehkosti (lámavosti) nekovových součástí.

DŮLEŽITÉ! Pokud není nutné postupovat jinak, vždy zajistěte, aby seřízení byla provedena **souměrně** na levém i pravém montážním držáku.

4.0 INSTALACE OPĚRADLA MX2 – ODNÍMATELNÁ MONTÁŽ

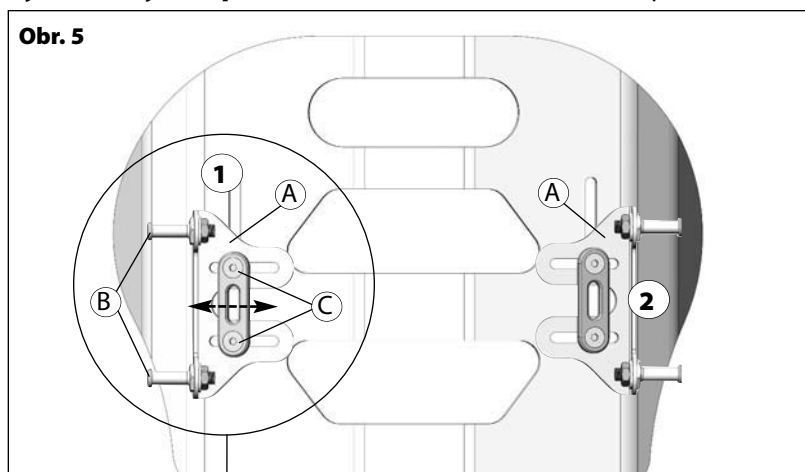
i DŮLEŽITÉ! Nezapomeňte, že při povolení rychloupínacích montážních držáků (A) současně změní šířku a výšku opěradla MX2. Před zahájením instalace si přečtěte **všechny pokyny**. Při instalaci se doporučuje seřizovat montážní držáky vždy jeden po druhém.

! POZNÁMKA

Každý rychloupínací montážní držák (A) se dodává s osazenými montážními kolíky (B) a má šířkově nastavitelné otvory; ty umožňují nainstalovat opěradlo MX2 na zadní svislé trubky, které jsou až o 25 mm (1 palec) širší **nebo** o 25 mm (1 palec) užší než jmenovitá šířka opěradla.

- 1 Postup před instalací opěradla Invacare® Matrix® MX2: (Viz obr. 5)
 - i. Tento postup provádějte pouze na jedné straně: trochu uvolněte podložkovou destičku a příslušenství montážního držáku (C), aby bylo možné seřídit rychloupínací montážní držák (A) a montážní kolíky (B) směrem dovnitř nebo ven (**1**) (podle obce) a vyrovnat montážní desky upínačů na zadních svislých trubkách – viz **krok 2.** (Obr. 6a/6b)
 - ii. Druhou (protější) sestavu rychloupínacího montážního držáku ponechte upevněnou na zadní plášť MX2 (**2**).

Vyrovnání rychloupínacího montážního kolíku/držáku (před instalací)



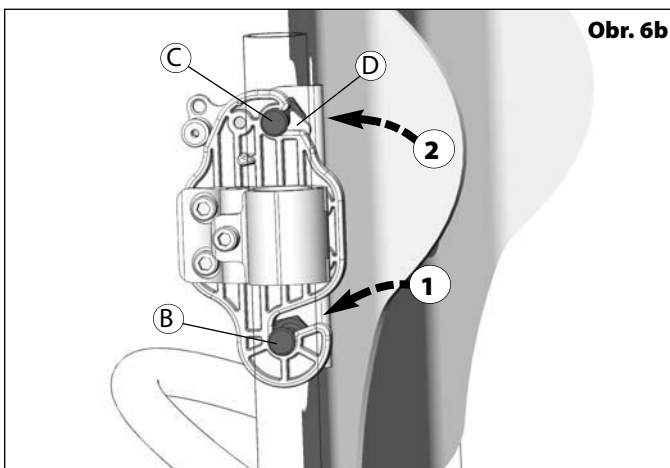
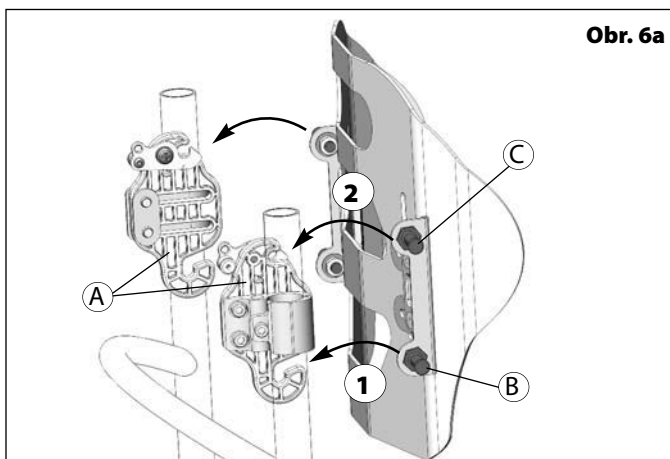
Povolte sestavu
montážního držáku
(pouze na jedné straně)

4.0 INSTALACE OPĚRADLA MX2 – ODNÍMATELNÁ MONTÁŽ

- 2 Opěradlo MX2 nainstalujte zpět na montážní desky (A) následovně: (viz obr. 6a a 6b)
- Vyrovnejte a vložte dolní montážní kolíky (B) do hákových otvorů v dolní části obou montážních desek (1).
 - Po umístění dolních kolíků zajistěte/zacvakněte horní montážní kolíky (C) do západkového mechanismu (D) v horní části obou montážních desek (2).

VAROVÁNÍ! Při instalaci opěradla MX2 vždy ověřte, zda jsou oba západkové mechanismy (D) dobře zacvaknuté na horních montážních kolíkách.

Instalace opěradla MX2 na montážní desky



4.0 INSTALACE OPĚRADLA MX2 – ODNÍMATELNÁ MONTÁŽ

4.7 Opěradlo MX2: seřízení šířky a výšky

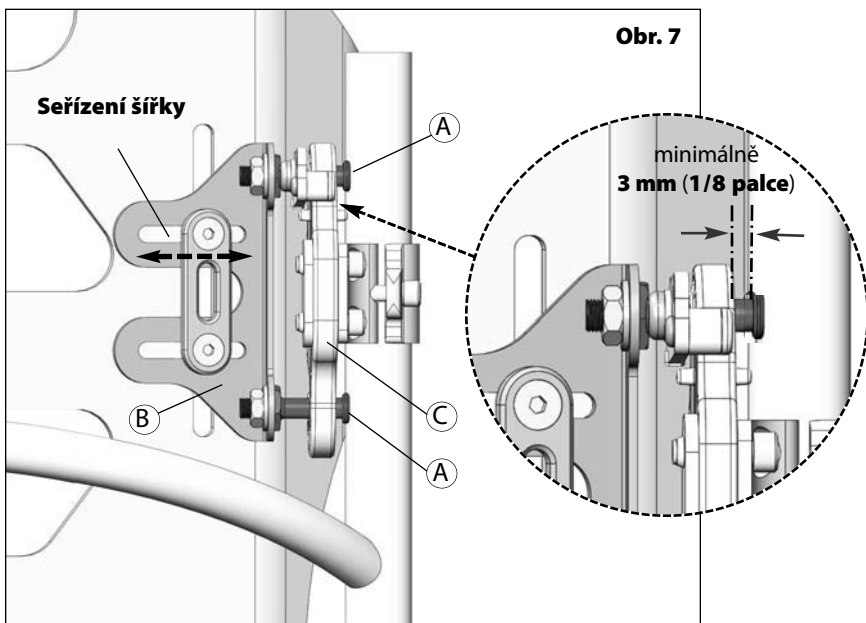
i DŮLEŽITÉ! Nezapomeňte, že seřízení šířky a výšky opěradla MX2 se provádí současně. Během instalace doporučujeme seřizovat držáky jeden po druhém a každý držák dostatečně zajistit, aby po seřízení nesjel ze své polohy. Montážní příslušenství se může úplně dotáhnout po dokončení instalace/sestavení.

1 Seřízení šířky montážních kolíků: Po upevnění opěradla MX2 k montážním deskám seřídte na každém montážním držáku (B) šířku montážních kolíků (A) tak, aby mezi hlavou montážních kolíků a vnější stranou montážní desky (C) vznikla **mezera minimálně 3 mm (1/8 palce)***. (Viz obr. 7.)

***POZNÁMKA:** U standardní instalace opěradla MX2 má zadní plášť zůstat po seřízení šířky uprostřed mezi zadními svislými trubkami. (Montážní držáky je třeba seřídít na zadním plášti souměrně.)

2 Utáhněte obě sestavy montážních držáků tak, aby nesjížděli.

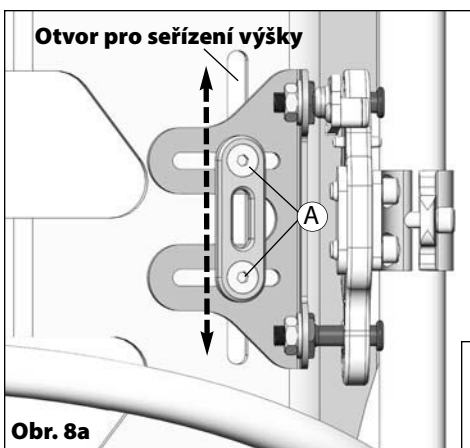
Instalace opěradla MX2: seřízení šířky / sestavení montážních kolíků



4.0 INSTALACE OPĚRADLA MX2 – ODNÍMATELNÁ MONTÁŽ

- Nastavení výšky opěradla MX2:** Výšku opěradla MX2 lze seřídit podle potřeby, a to pomocí podlouhlých šterbin v zadním plášti MX2 (viz obr. 8a). Doporučená výška opěradla* je přibližně 13–15 mm (5–6 palců) od horní části povrchu opěradla (polstrování sedadla nebo výlisku sedadla; viz obr. 8b).
- Na jedné straně povolte příslušenství montážního držáku (A) a posuňte zadní plášť MX2 nahoru/dolů až do požadované výšky. **POZNÁMKA:** Rozsah seřízení výšky opěradla MX2 se liší v závislosti na výšce (délece otvorů) na zadním plášti MX2 – viz tabulka 1.0.
- Utažením příslušenství/desky montážního držáku (A) upevněte opěradlo MX2 v požadované poloze tak, aby byla zachována správná šířka/poloha montážních kolíků (viz obr. 7). Stejným způsobem seřídte výšku opěradla na protějším montážním držáku.
- Jakmile dokončíte seřízení šířky a výšky, **veškeré** příslušenství zcela dotáhněte.
Poznámka: Doporučená výška opěradla MX2 je uvedena pouze jako doporučení. Mírné odchylky mohou být nezbytné – viz poznámka **Důležité! níže.*

Instalace opěradla MX2: seřízení výšky opěradla

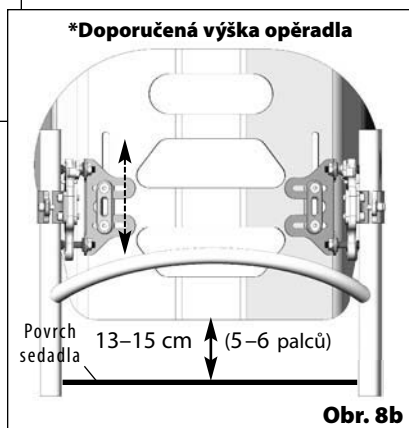


Tabulka 1.0:
Seřízení výšky (otvoru) MX2

Výška zadního pláště	Rozsah seřízení
150 mm (6 palců)	13 mm (1/2 palce)
230 mm (9 palců)	51 mm (2 palce)
310 mm (12 palců)	51 mm (2 palce)
410 mm (16 palců)	89 mm (3,5 palce)

i DŮLEŽITÉ!

Vždy zkontrolujte, zda je spodní část opěradla umístěna anatomicky pod hmatným zadním trnem hřebene kyčelního (PSIS). Budete-li mít jakékoli dotazy nebo pochybnosti ohledně správné výšky opěradla, požádejte o odbornou pomoc svého poskytovatele a/nebo profesionálního pracovníka.



4.0 INSTALACE OPĚRADLA MX2 – ODNÍMATELNÁ MONTÁŽ

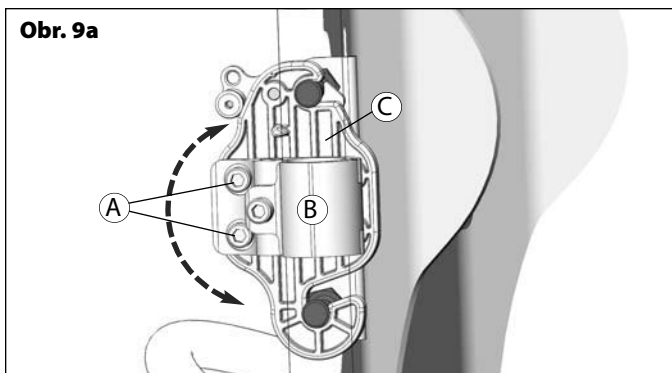
4.8 Opěradlo MX2: seřízení úhlu sklonu a hloubky

i DŮLEŽITÉ! Nezapomeňte, že také seřízení úhlu sklonu a hloubky opěradla MX2 se provádí současně. Obě tyto úpravy se provádějí snadněji, když nejprve povolíte seřizovací příslušenství na obou sestavách upínačů. *(Poznámka: U standardní instalace má být seřízení hloubky a úhlu sklonu provedeno souměrně na obou montážních deskách.)*

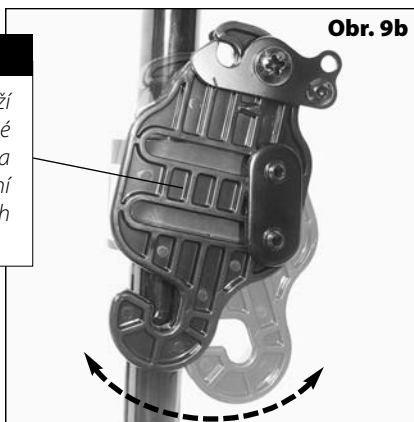
- 1 **Seřízení úhlu sklonu opěradla MX2:** V případě nutnosti lze úhel sklonu opěradla MX2 seřídit pomocí dvou šroubů pro seřízení hloubky / úhlu sklonu (A), které se nacházejí na každé montážní sestavě upínače (B) (viz obr. 9a).
- 2 Povolte šrouby pro seřízení hloubky / úhlu sklonu (2krát) na obou sestavách upínače a otočte montážní desku (C) vpřed nebo vzad do požadovaného úhlu sklonu opěradla (rozsah seřízení úhlu sklonu = $\pm 15^\circ$, viz obr. 9b).

Instalace opěradla MX2: seřízení úhlu sklonu opěradla

Obr. 9a



Obr. 9b



Seřízení úhlu sklonu ($\pm 15^\circ$)

! POZNÁMKA

Svislé prolisy na montážních deskách slouží jako orientační bod usnadňující souměrné seřízení. Při seřizování úhlu sklonu opěradla MX2 mohou svislé prolisy usnadnit nastavení stejného úhlu sklonu na obou montážních deskách.

4.0 INSTALACE OPĚRADLA MX2 – ODNÍMATELNÁ MONTÁŽ

- 3 Seřízení hloubky opěradla MX2:** Celková hloubka opěradla MX2 se ovládá pomocí dvou samostatných seřizovacích mechanismů:

Orientace upínačů MX2 na zadních svislých trubkách: (viz také část 4.4)

Upínače MX2 na zadních svislých trubkách (B) lze namontovat buď ve standardní orientaci (směrem dozadu) nebo v převrácené orientaci (směrem dopředu) pro menší hloubky sedadla (viz obr. 10).

Při instalaci zcela vzadu (1): hloubka sedadla = -44 mm (1,75 palce).

Při instalaci zcela vpředu (2): hloubka sedadla = +57 mm (2,25 palce).

(Poznámka: Uvádíme hodnoty vzhledem k zadním svislým trubkám, které byly naměřeny podle polohy montážních kolíků.)

Maximální rozsah seřízení hloubky směrem dopředu/dozadu (od instalace zcela vzadu po instalaci zcela vpředu) = 108 mm (4,25 palce)

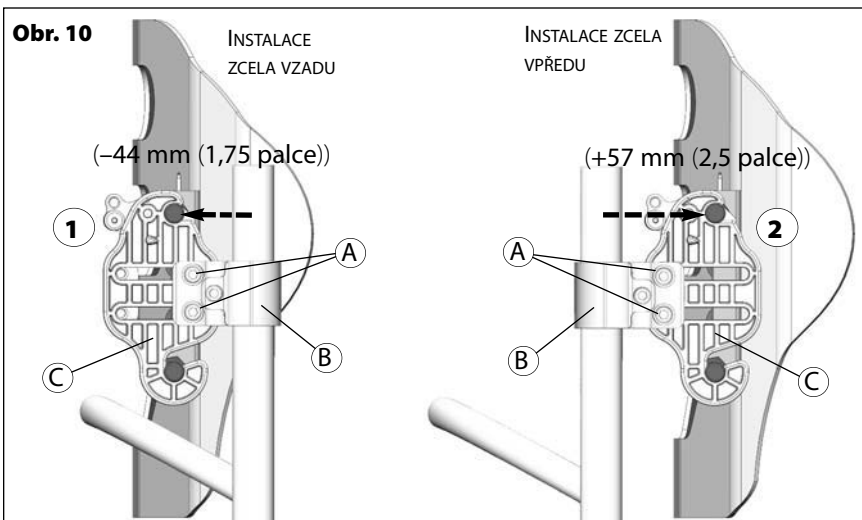
Seřízení hloubky montážní desky MX2*:

Podlouhlé štěrbin v montážních deskách MX2 (C) umožňují upravit hloubku až o 44 mm (1,75 palce) v maximálním rozsahu seřízení (viz obr. 11, str. 28).

***POZNÁMKA:** Rozsah možného seřízení hloubky montážních desek bude při změně úhlu sklonu opěradla MX2 omezenější.

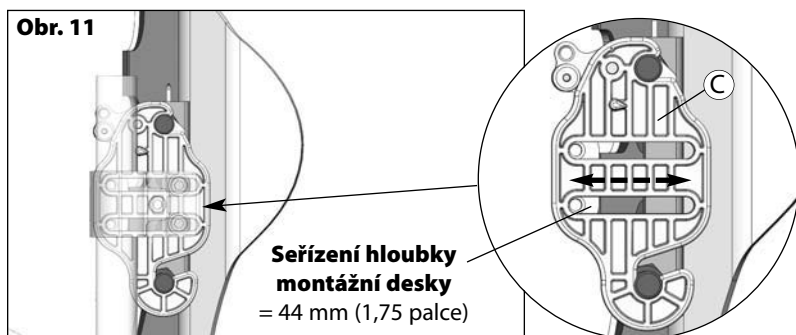
- 4** Pro seřízení hloubky povolte dva seřizovací šrouby (A) na obou sestavách upínače na zadních svislých trubkách a posuňte montážní desky (C) v seřizovacích štěrbinách vpřed nebo vzad do požadované hloubky opěradla.
- 5** Jakmile dokončíte seřízení úhlu sklonu a hloubky, veškeré příslušenství zcela dotáhněte.

Instalace opěradla MX2: seřízení hloubky opěradla



4.0 INSTALACE OPĚRADLA MX2 – ODNÍMATELNÁ MONTÁŽ

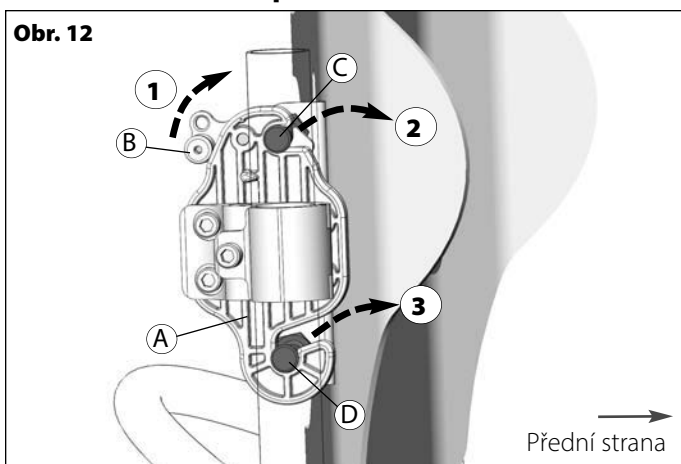
Instalace opěradla MX2: seřízení hloubky opěradla



4.9 Demontáž opěradla MX2 z rychloupínacího příslušenství

- 1 Opěradlo MX2 demontujte/uvolněte z montážních desek (A) následovně (viz obr. 12 níže):
 - i. Postavte se za invalidní vozík a na obou montážních deskách (1) současně zvedněte uvolňovací mechanismus západky (B).
 - ii. Když jsou západky otevřené, zatlačte horní část opěradla MX2 směrem dopředu (2), aby horní montážní kolíky (C) vyskočily z montážních desek (A).
 - iii. Když jsou horní kolíky uvolněné, nadzvedněte opěradlo MX2 směrem nahoru a dopředu (3), aby se z montážních desek uvolnily dolní montážní kolíky (D).

Demontáž/uvolnění opěradla MX2



5.0. PÉČE A ÚDRŽBA

5.1 Péče a praní:

i DŮLEŽITÉ! Všechny používané čisticí a dezinfekční prostředky spolu musejí být kompatibilní a musejí chránit materiály, které čistí.

⚠ UPOZORNĚNÍ! Nebezpečí poškození výrobku
NEPOUŽÍVEJTE čisticí prostředky obsahující bělidla, fenoly nebo alkohol.

Celková péče a čištění:

Potah lze v případě potřeby snadno otřít navlhčeným kusem tkaniny.

Pokyny pro praní (vnějšího potahu):

1. Uvolněte upevňovací suché zipy podél horní a dolní hrany a uvnitř zadního pláště a opatrně sundejte potah.

POZNÁMKA: Před praním je třeba vyjmout vnitřní pěnové polstrování.

2. Perte v pračce při teplotě 60 °C s programem na jemné prádlo (viz pokyny na štítku).

i DŮLEŽITÉ! Praní při vyšších teplotách může vést k tomu, že se potahy srazí.

3. Potah pověste a nechte uschnout v čistém vnitřním prostředí;
nebo
potah usušte v sušičce při nízké teplotě.

i DŮLEŽITÉ!

- Teplotní program sušičky nesmí překročit 40 °C.
- Nesušte v sušičce déle než 10 minut.
- Před opětovným nasazením na pěnové polstrování potah řádně vysušte.
- Nežehlete.
- Nečistěte chemicky.

5.2 Údržba a kontrola:

Jednou za měsíc: Provádějte vizuální kontrolu součástí, včetně montážního příslušenství, držáků, materiálů čalounění, pěnových dílů a plastů se zaměřením na deformaci, korozi, prasknutí, opotřebení nebo stlačení.

⚠ VAROVÁNÍ! Nebezpečí úrazu nebo poškození

Každý týden zkontrolujte VŠECHNY upevňovací prvky a ujistěte se, že všechna mechanická spojení i všechny součásti montážního příslušenství jsou bezpečně utaženy.

Dojde-li k potížím, tento výrobek dále NEPOUŽÍVEJTE. Nápravná opatření je možné provést nebo zajistit prostřednictvím vašeho dodavatele vybavení.

6.0 DOPLŇKY K OPĚRADLU MX2

6.1 Instalace/Nastavení (doplňkové) bederní opěrky

! POZNÁMKA

Bederní opěrka je prefabrikovaná pěnová vložka, která poskytuje dodatečný komfort tím, že podepírá bederní část zad. Polohu vložky tvořící bederní opěrku lze seřizovat uvnitř potahu opěradla Invacare® Matrux® MX2 (viz pokyny níže). Není-li podepírání bederní části zad požadováno, je možné vložku vyjmout.

1. Abyste získali přístup k bederní opěrce, otevřete uzavírací pásky tvořené suchými zipy na vnějším potahu A v dolní části zadního pláště.
2. Pěnová bederní opěrka B je nainstalována uvnitř potahu opěradla Invacare® Matrux® MX2 mezi pěnovým polstrováním opěradla C a zadním pláštěm D.
3. Bederní opěrku lze nastavit do jakékoli požadované výšky/polohy.
4. Připevněte potah (pomocí pásků se suchými zipy) zpět k výlisku opěradla.

Bederní opěrka



**POZNÁMKA: Pěnové polstrování bederní opěrky lze podle potřeby seříznout/upravit tak, aby vyhovovalo potřebám koncového uživatele.*

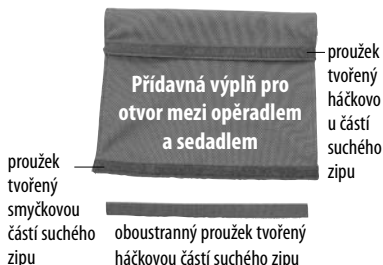


6.0 DOPLŇKY K OPĚRADLU MX2

6.2 (Doplňková) přídavná výplň mezi opěradlem a sedadlem (prodává se samostatně)

K dispozici jsou přídavné výplně (samostatně prodávané) pro otvor mezi opěradlem a sedadlem, které lze použít u opěradel řady MX2 všech standardních velikostí. Všechna opěradla standardních velikostí se dodávají s předem našitým proužkem tvořeným smyčkovou částí suchého zipu, který je umístěn napříč na dolní zadní straně potahu čalounění a slouží k upevnění přídavné výplně pro otvor mezi opěradlem a sedadlem. Správnou velikost přídavné výplně pro otvor mezi opěradlem MX2 a sedadlem vyberte podle následující tabulky:

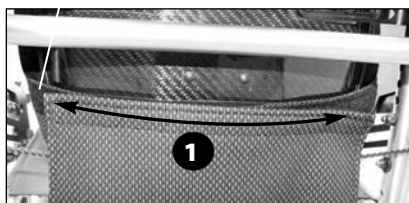
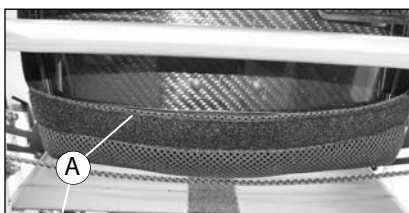
ŠÍŘKA	PŘÍDAVNÁ VÝPLŇ PRO OTVOR MEZI OPĚRADLEM A SEDADLEM
36 cm (14 palců)	PFLAP-XS 26 cm x 41 cm (10 palců x 16 palců)
38 cm (15 palců)	PFLAP-S 33 cm x 41 cm (13 palců x 16 palců)
41 cm (16 palců)	
43 cm (17 palců)	PFLAP-M 38 cm x 41 cm (15 palců x 16 palců)
46 cm (18 palců)	



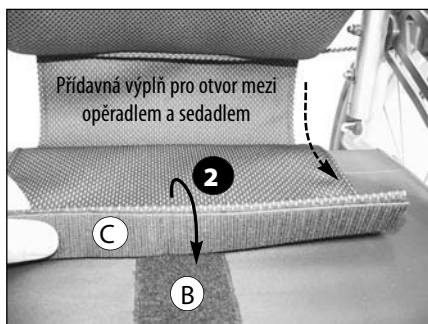
Návod na instalaci:

1. Vyjměte polstrovaní sedadla invalidního vozíku (je-li nainstalováno).
2. Ujistěte se, že opěradlo je nastaveno v požadované výšce. (Viz část 4.0, obrázek 8.)
3. Postavte se za invalidní vozík (a dívejte se vpřed), vyrovnejte/upevněte proužek tvořený háčkovou částí suchého zipu, který je umístěn na přídavné výplni, na proužek tvořený smyčkovou částí suchého zipu a přišitý na dolní zadní straně potahu opěradla MX2 (A). (Viz krok 1 níže.)
4. Protější konec (neupevněný) přídavné výplně protáhněte mezerou mezi dolní částí zadního pláště a sedadlem invalidního vozíku.
5. Připevněte proužek tvořený smyčkovou částí suchého zipu* (B) k proužku suchého zipu umístěnému na popruhovém sedadle nebo výlisku sedadla invalidního vozíku. (Viz krok 2 níže.)

***POZNÁMKA:** Pokud je na sedadle invalidního vozíku umístěn odpovídající proužek tvořený smyčkovou částí suchého zipu, upevněte přídavnou výplň pomocí dodaného oboustranného proužku tvořeného háčkovou částí suchého zipu (C).



POHLED ZE ZADU



POHLED ZEPŘEDU

Contact Information
Information de contact
Kontaktdata
Información de contacto
Informações de contacto

Belgium & Luxembourg:
Invacare nv Autobaan 22
B-8210 Loppem
Tel: (32) (0)50 83 10 10
Fax: (32) (0)50 83 10 11
belgium@invacare.com
www.invacare.be

España:
Invacare SA
c/Areny s/n, Polígono Industrial
de Celrà
E-17460 Celrà (Girona)
Tel: (34) (0)972 49 32 00
Fax: (34) (0)972 49 32 20
contactsp@invacare.com
www.invacare.es

Danmark:
Invacare A/S Sdr. Ringvej 37
DK-2605 Brøndby
Tel: (45) (0)36 90 00 00
Fax: (45) (0)36 90 00 01
denmark@invacare.com
www.invacare.dk

France:
Invacare Poirier SAS
Route de St Roch
F-37230 Fondettes
Tel: (33) (0)2 47 62 64 66
Fax: (33) (0)2 47 42 12 24
contactcfr@invacare.com
www.invacare.fr

Deutschland:
Invacare GmbH
Alemannenstraße 10
D-88316 Isny
Tel: (49) (0)7562 700 0
Fax: (49) (0)7562 700 66
kontakt@invacare.com
www.invacare.de

Ireland:
Invacare Ireland Ltd,
Unit 5 Seatown Business Campus
Seatown Road, Swords,
County Dublin
Tel : (353) 1 810 7084
Fax: (353) 1 810 7085
ireland@invacare.com
www.invacare.ie

Per informazioni
Kontaktoplysninger
Kontaktinformation
Yhteystiedot
Contactgegevens

Eastern Europe, Middle East & CIS:
Invacare EU Export Kleiststraße 49
D-32457 Porta Westfalica /
Germany
Tel: (49) (0)57 31 754 540
Fax: (49) (0)57 31 754 541
webinfo-eu-export@invacare.com
www.invacare-eu-export.com

Italia:
Invacare Mecc San s.r.l.,
Via dei Pini 62,
I-36016 Thiene (VI)
Tel: (39) 0445 38 00 59
Fax: (39) 0445 38 00 34
italia@invacare.com
www.invacare.it

Nederland:
Invacare BV Galvanistraat 14-3
NL-6716 AE Ede
Tel: (31) (0)318 695 757
Fax: (31) (0)318 695 758
nederland@invacare.com
www.invacare.nl

Suomi:
Camp Mobility
Patamäenkatu 5,
33900 Tampere
Puhelin 09-35076310
info@campmobility.fi
www.campmobility.fi

Norge:
Invacare AS
Grensesvingen 9, Postboks 6230,
Etterstad
N-0603 Oslo
Tel: (47) (0)22 57 95 00
Fax: (47) (0)22 57 95 01
norway@invacare.com
www.invacare.no

Sverige:
Invacare AB Fagerstagatan 9
S-163 53 Spånga
Tel: (46) (0)8 761 70 90
Fax: (46) (0)8 761 81 08
sweden@invacare.com
www.invacare.se

Kontaktandmed
Kontaktine informacija
Contact informacja
Kontaktini informace

Österreich:
Invacare Austria GmbH Herzog
Odiolstrasse 101
A-5310 Mondsee
Tel: (43) 6232 5535 0
Fax: (43) 6232 5535 4
info-austria@invacare.com
www.invacare.at


Schweiz / Suisse / Svizzera:
Invacare AG Benkenstrasse 260
CH-4108 Witterswil
Tel: (41) (0)61 487 70 80
Fax: (41) (0)61 487 70 81
switzerland@invacare.com
www.invacare.ch

Portugal:
Invacare Lda
Rua Estrada Velha, 949
P-4465-784 Leça do Balio
Tel: (351) (0)225 1059 46/47
Fax: (351) (0)225 1057 39
portugal@invacare.com
www.invacare.pt

United Kingdom:
Invacare Limited
Pencoed Technology Park,
Pencoed
Bridgend CF35 5AQ
Tel: (44) (0) 1656 776 222
Fax: (44) (0) 1656 776 220
uk@invacare.com
www.invacare.co.uk

USA:
Invacare USA
Worldwide Headquarters
One Invacare Way
Elyria, Ohio,
USA 44036-2125
Tel: (1) 800 333 6900
Fax: (1) 877 619 7996
www.invacare.com

Canada:
Invacare Canada
570 Matheson Blvd. E. Unit 8
Mississauga, Ontario
Canada L4Z 4G4
Tel: (800) 668 5324
Fax: (905) 890 5244
www.invacare.ca


Motion Concepts
84 Citation Drive, Unit 1
Concord, Ontario L4K 3C1
Canada



Advena Ltd.
Pure Offices, Plato Close
Warwick, CV34 6WE
United Kingdom

